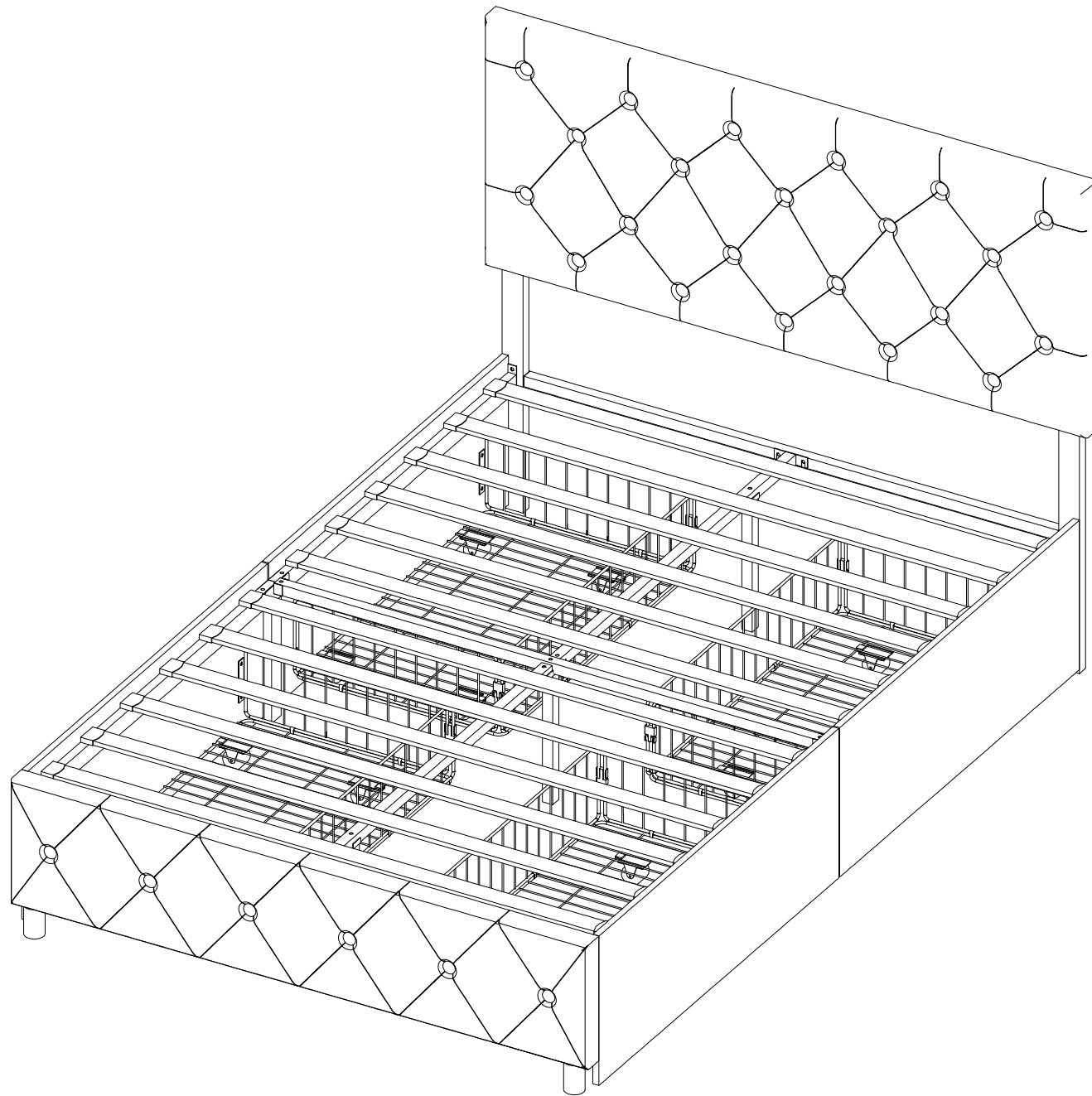


Assembly Instruction



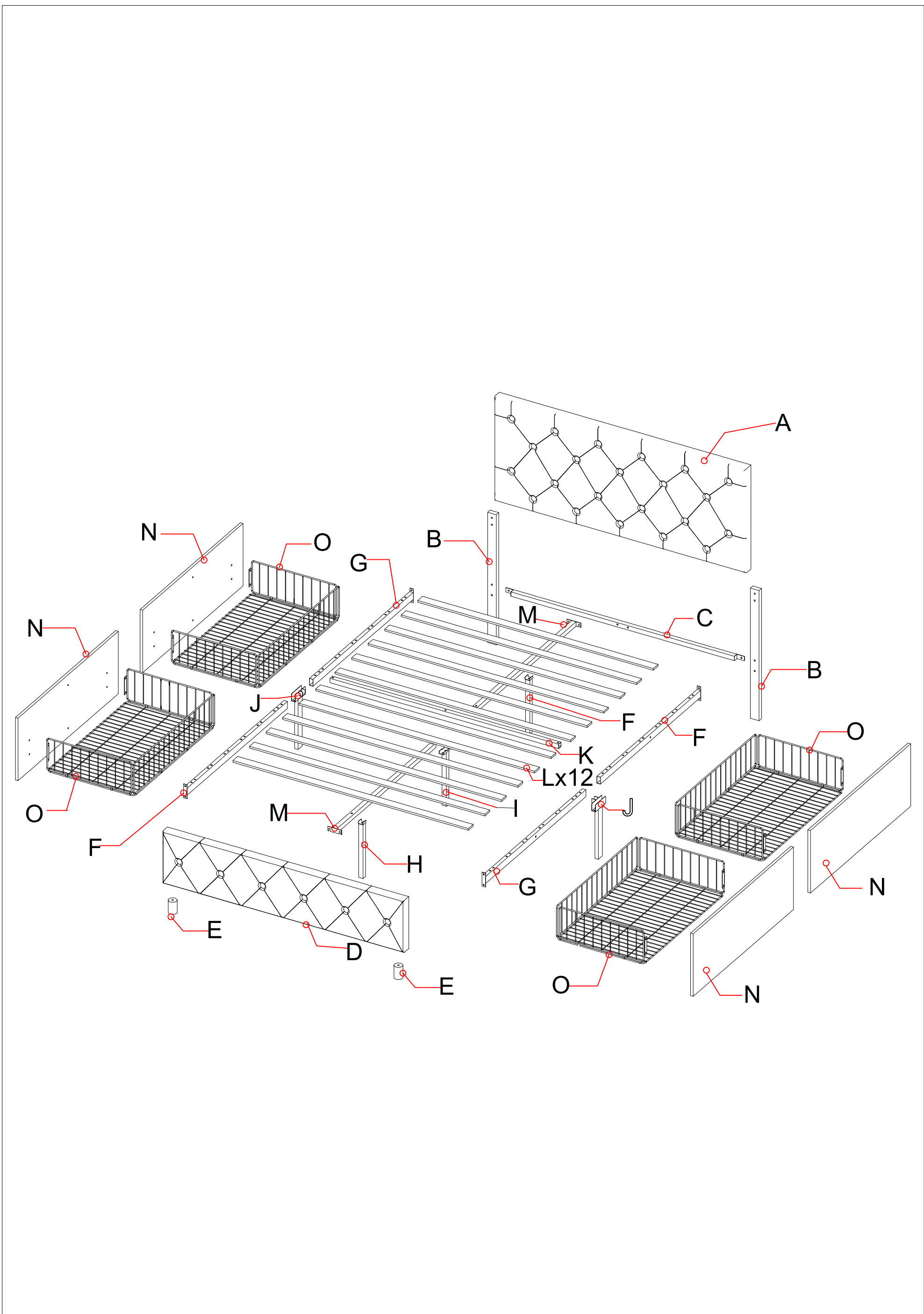
Instruction Manual

Thank you for shopping with us!

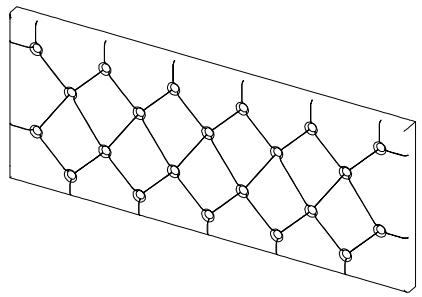
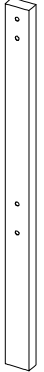
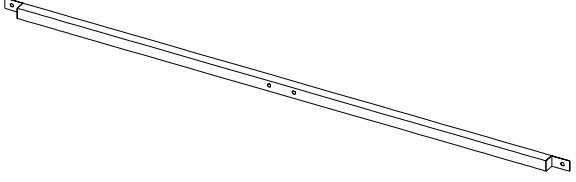
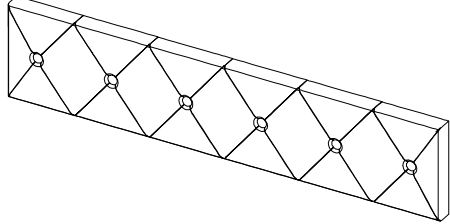
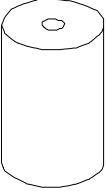
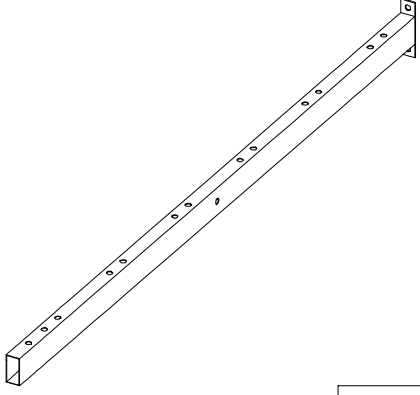
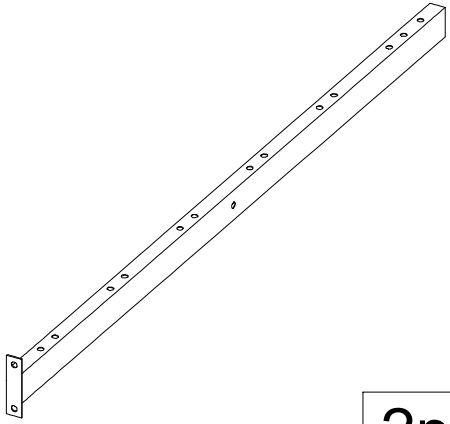

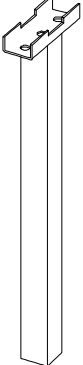
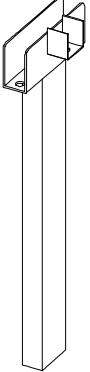
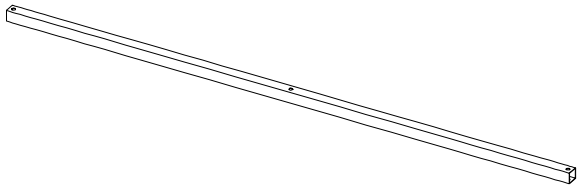
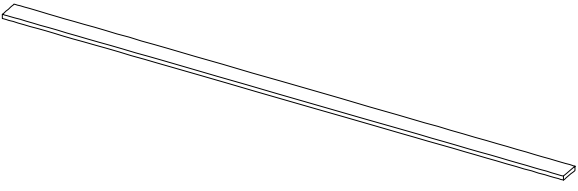
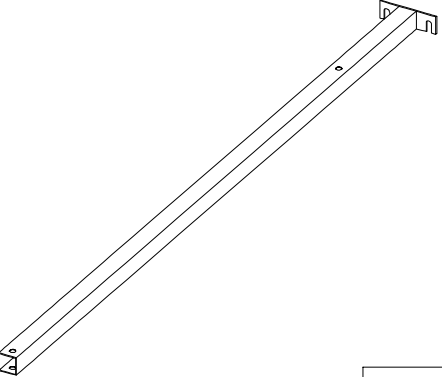
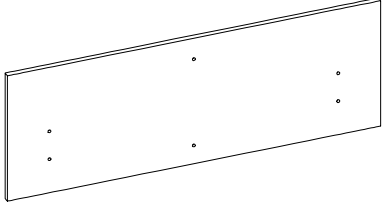

We appreciate your purchase and are ready to be at your service!

if you find parts missing, broken, or hard to put together or when you are not satisfied or have any valuable suggestions, please do not hesitate to contact us first!

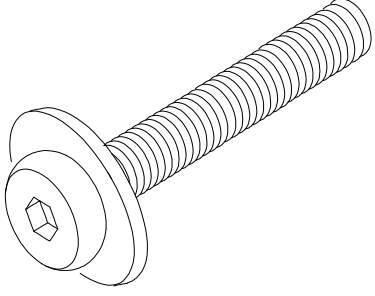
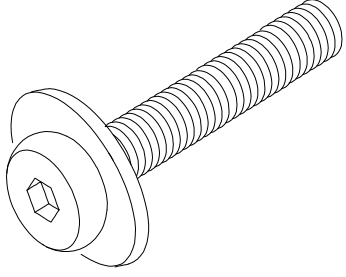
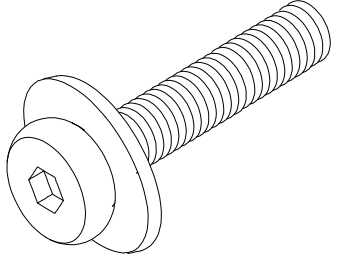
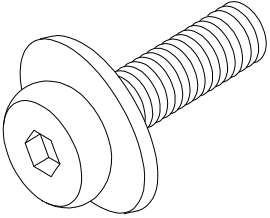
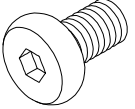
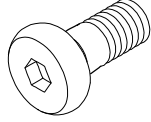
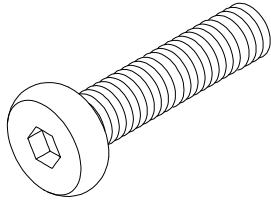
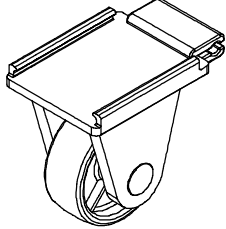
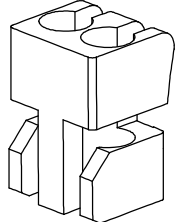
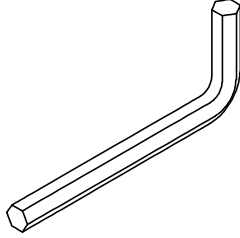
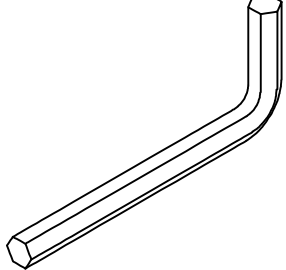
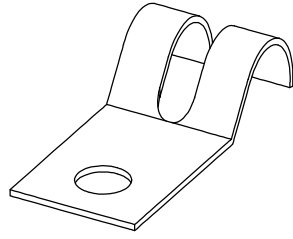
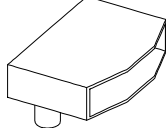
We will definitely give you a satisfactory solution or answer then!



Parts List (EN)/ Teile Liste(DE)

<p>A</p>  <p>1pc</p>	<p>B</p>  <p>2pcs</p>	<p>C</p>  <p>1pc</p>
<p>D</p>  <p>1pc</p>	<p>E</p>  <p>2pcs</p>	<p>F</p>  <p>2pcs</p>
<p>G</p>  <p>2pcs</p>	<p>H</p>  <p>2pcs</p>	<p>I</p>  <p>1pc</p>
<p>J</p>  <p>2pcs</p>	<p>K</p>  <p>1pc</p>	<p>L</p>  <p>12pcs</p>
<p>M</p>  <p>2pcs</p>	<p>N</p>  <p>4pcs</p>	<p>O</p>  <p>4pcs</p>

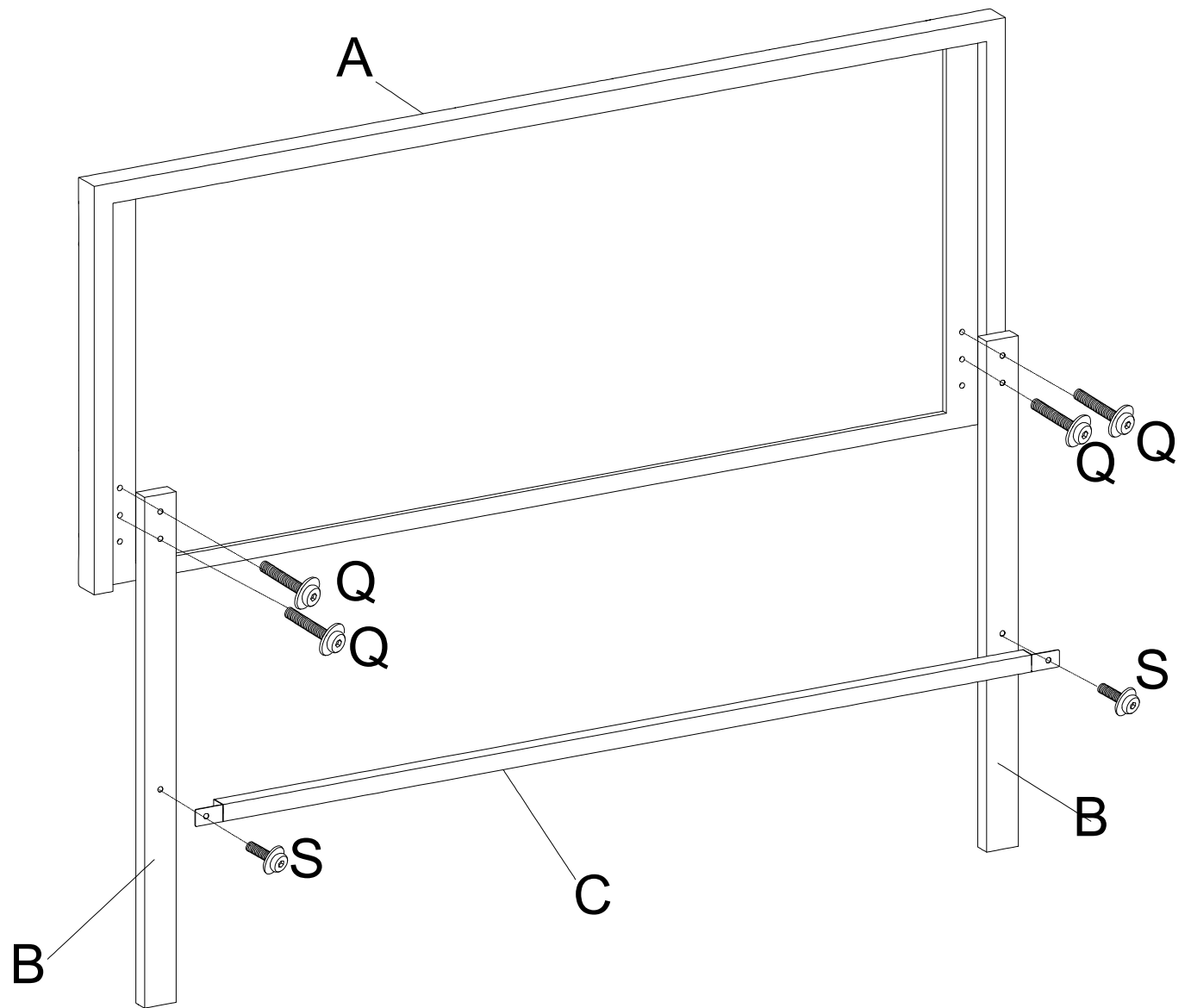
Parts List (EN)/ Teile Liste(DE)

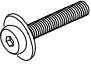


<p>P</p>  <p>M8x50mm 5pcs</p>	<p>Q</p>  <p>M8x45mm 4pcs</p>	<p>R</p>  <p>M8x35mm 4pcs</p>
<p>S</p>  <p>M8x20mm 16pcs</p>	<p>T</p>  <p>M6x12mm 20pcs</p>	<p>U</p>  <p>M6x15mm 4pcs</p>
<p>V</p>  <p>M6x35mm 2pcs</p>	<p>W</p>  <p>16pcs</p>	<p>X</p>  <p>8pcs</p>
<p>Y Inner allen wrench</p>  <p>D4 1pc</p>	<p>Y1 Inner allen wrench</p>  <p>D5 1pc</p>	<p>Z</p>  <p>4pcs</p>
<p>Z1</p>  <p>24pcs</p>		

Assembly Steps (EN)/ Montageschritte(DE)

STEP 1

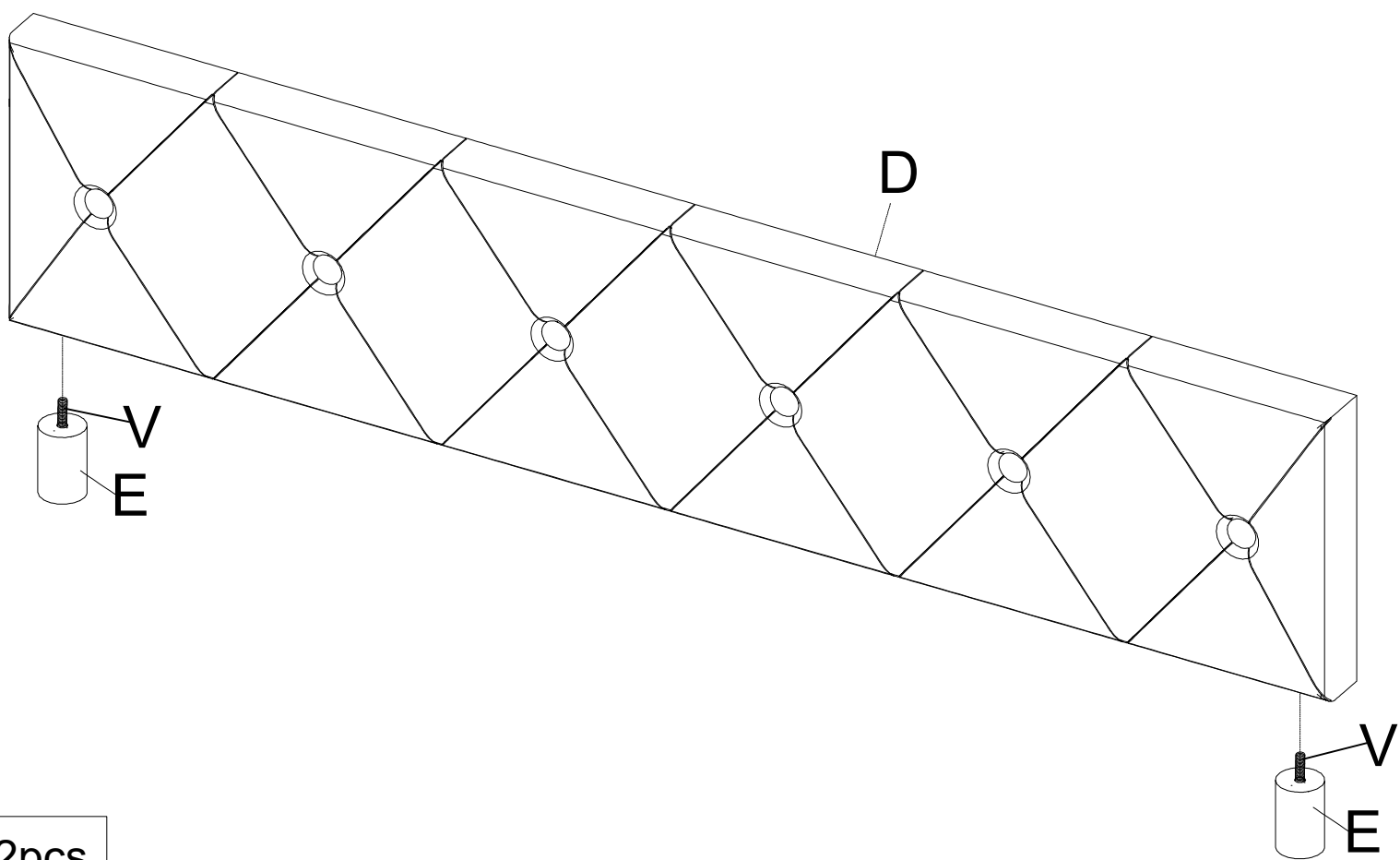
Install the headboard

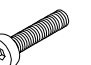
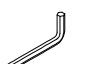


	Qx4pcs
	Sx2pcs
	Y1x1pc

STEP 2

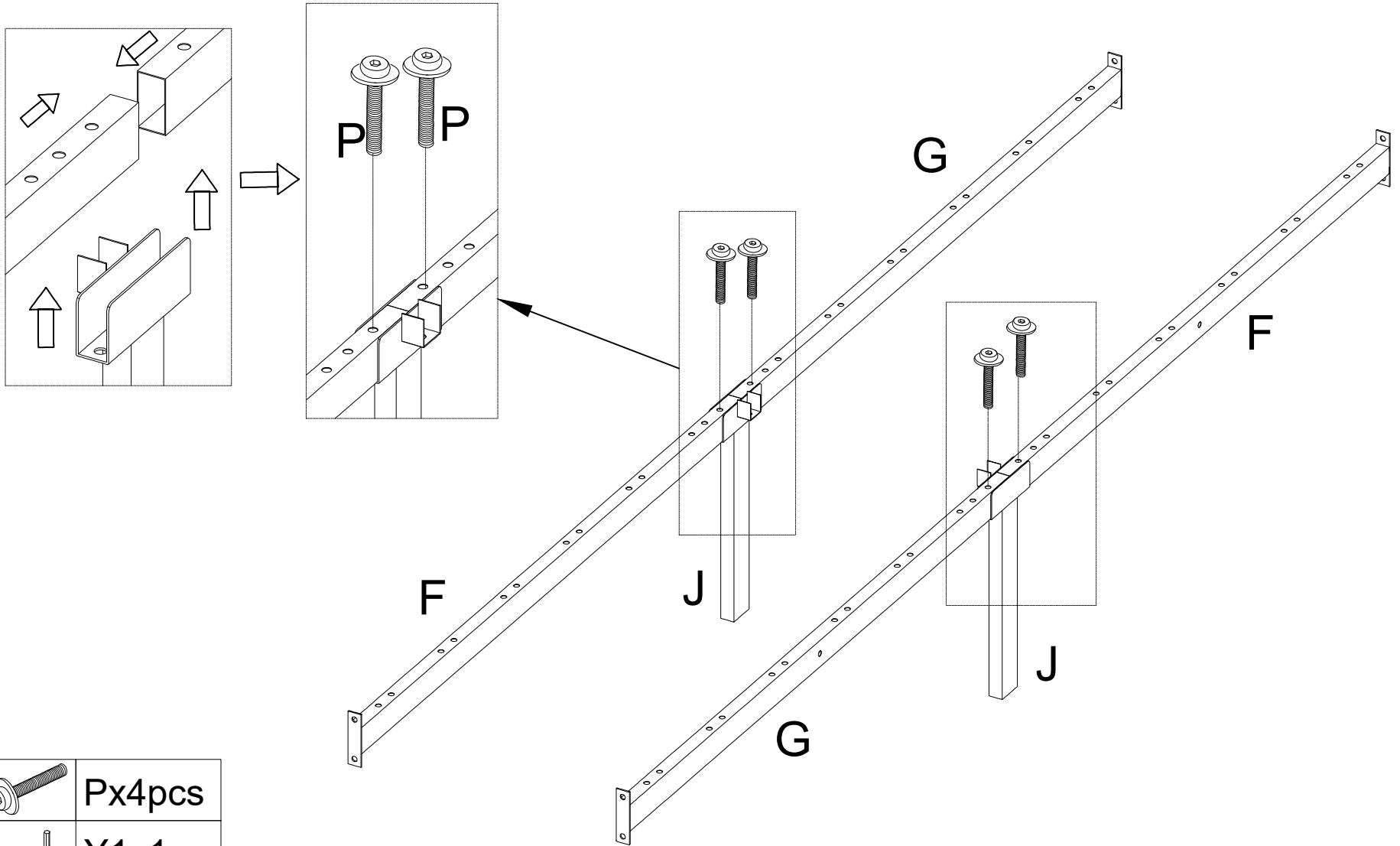
Install the legs into the footboard

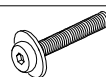
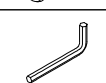


	Vx2pcs
	Yx1pc

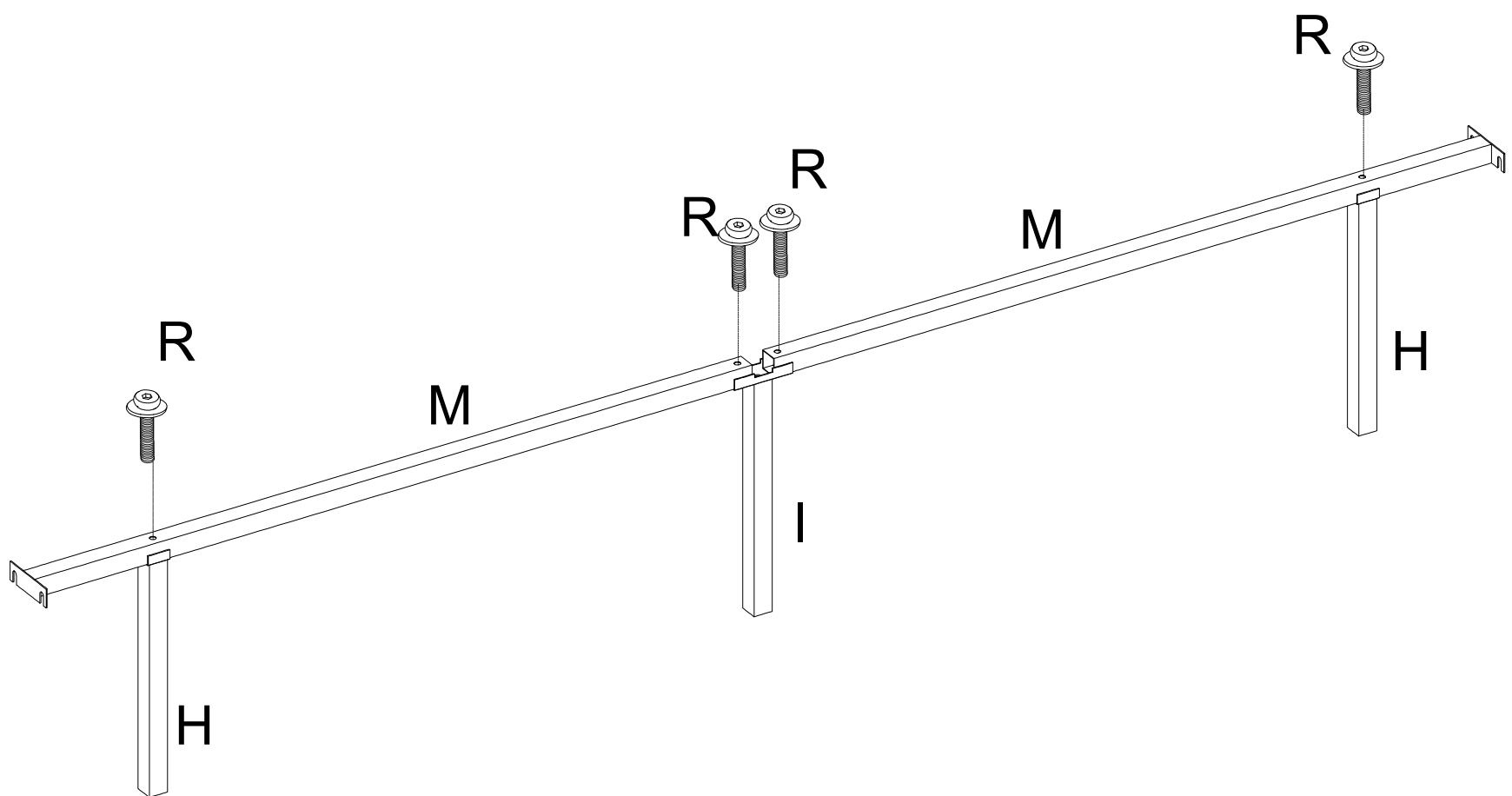
Assembly Steps (EN)/ Montageschritte(DE)

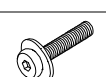
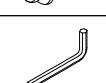
STEP 3 Connect the rails of right and left sides with the supporting bar J



	Px4pcs
	Y1x1pc

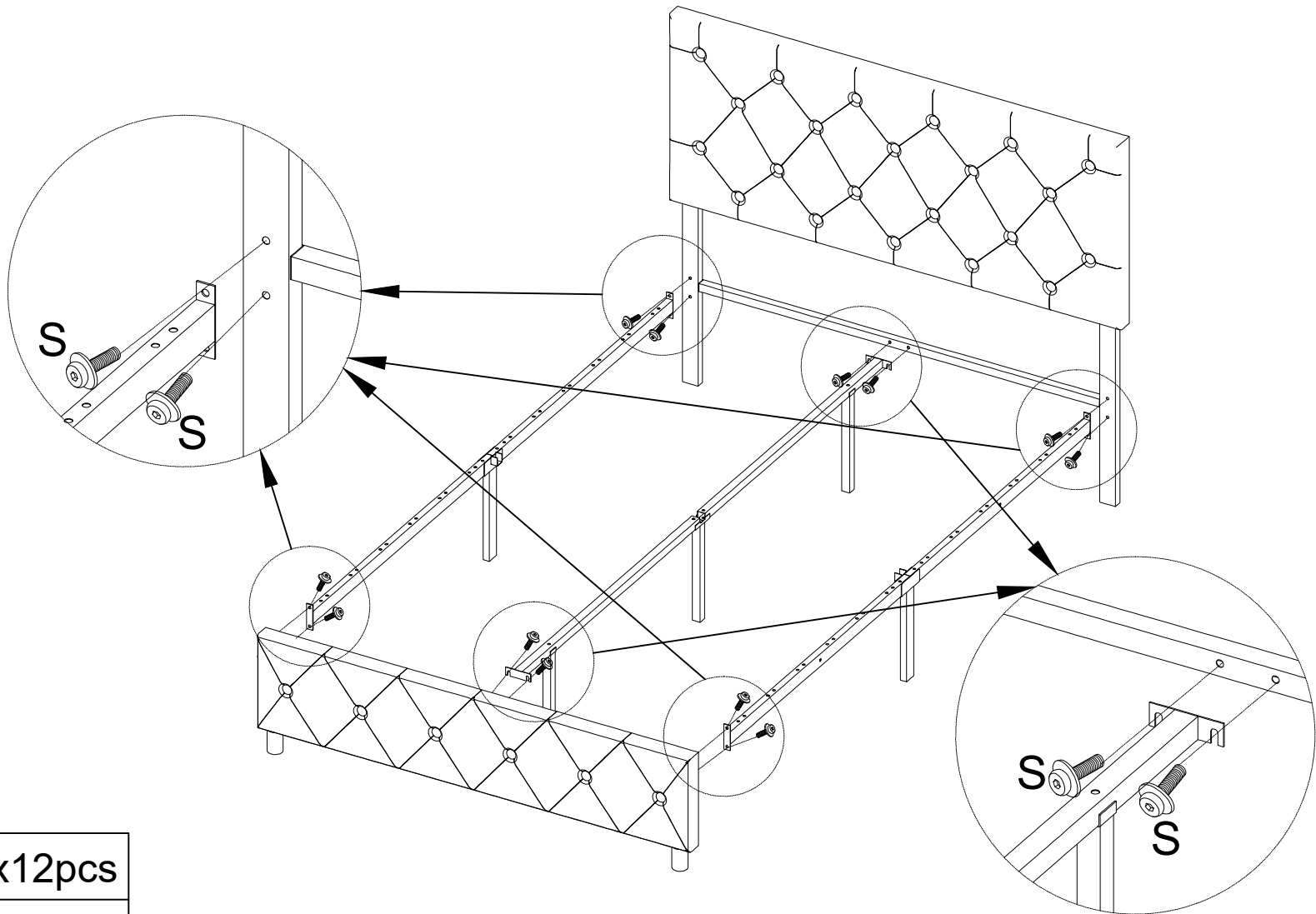
STEP 4 Connect the rail of the middle with the supporting bar I and Hs


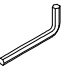


	Rx4pcs
	Y1x1pc

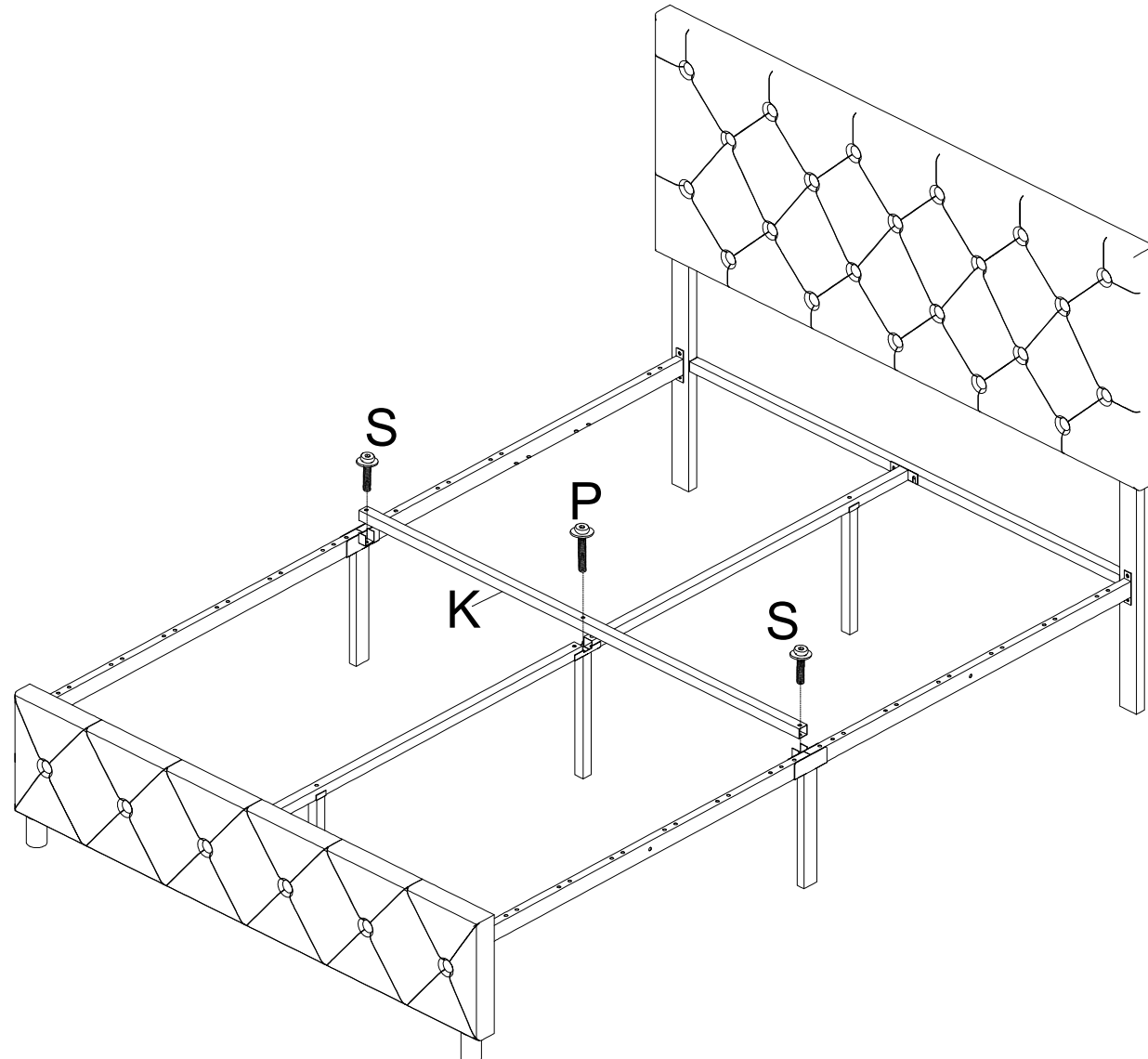
Assembly Steps (EN)/ Montageschritte(DE)

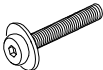
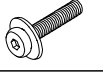

STEP 5 Connect the headboard and the footboard by the rails



	Sx12pcs
	Y1x1pc

STEP 6 Put the beam K across the middle of the 3 rails and install it

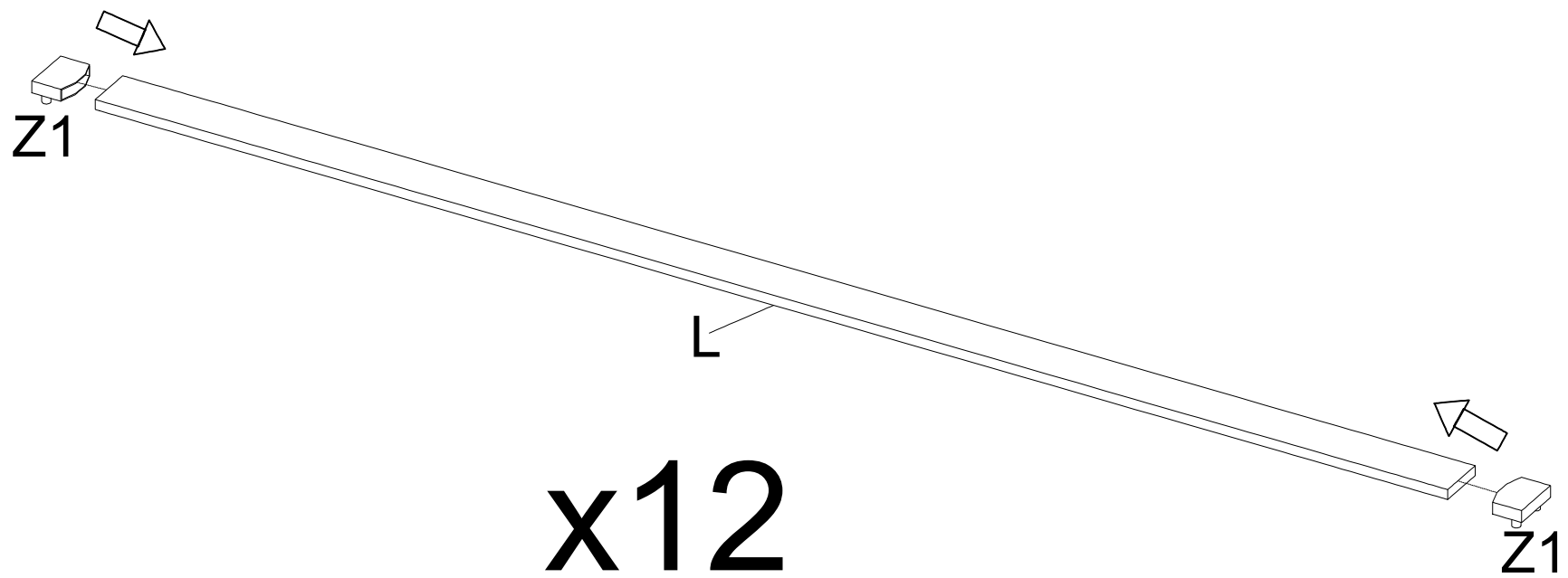



	Px1pc
	Sx2pcs
	Y1x1pc

Assembly Steps (EN)/ Montageschritte(DE)

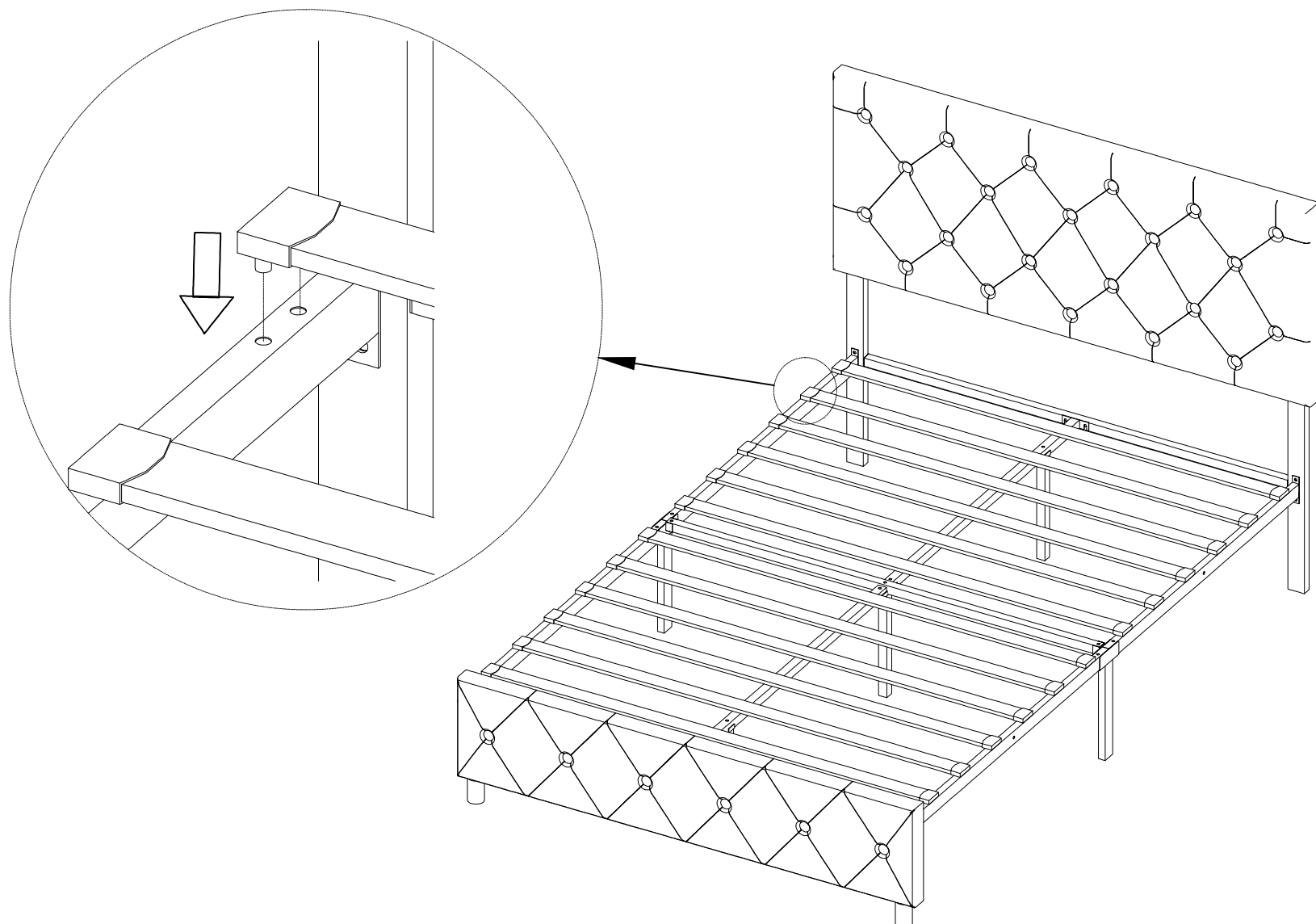
STEP 7

Put the end caps onto the slats



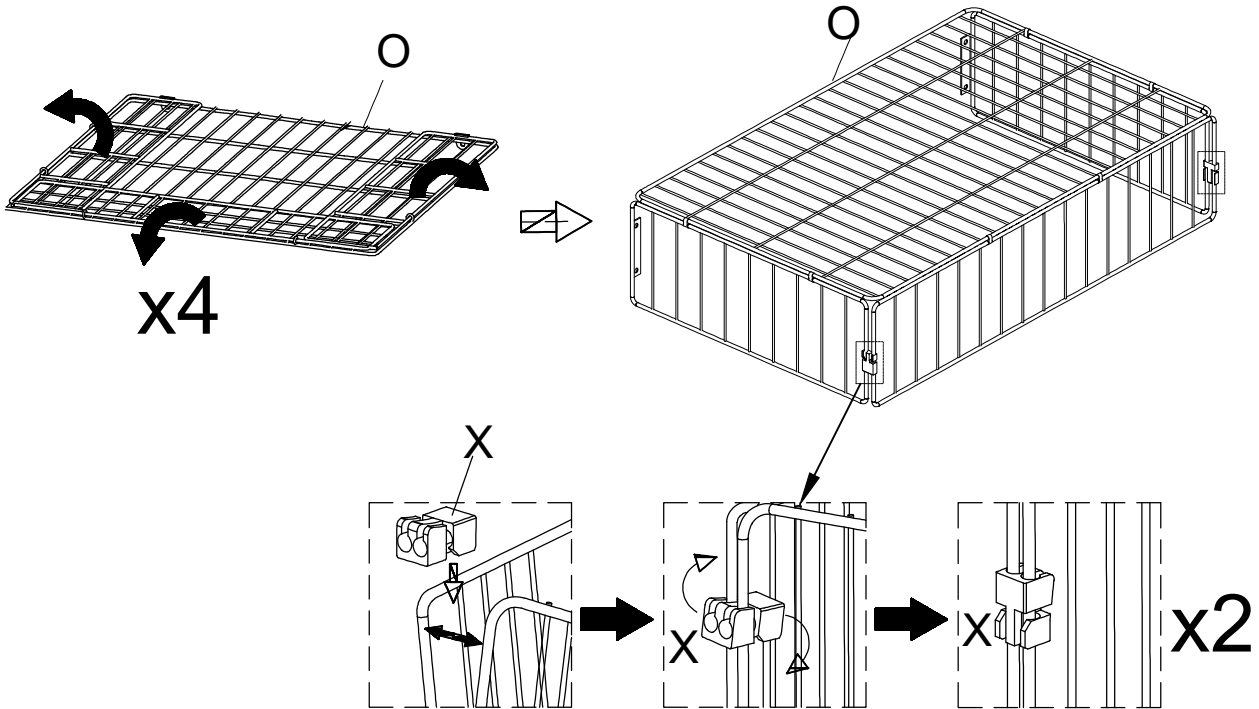
 Z1x24pcs


STEP 8 Insert the 12 slats with end caps into the holes in the side rails



Assembly Steps (EN)/ Montageschritte(DE)

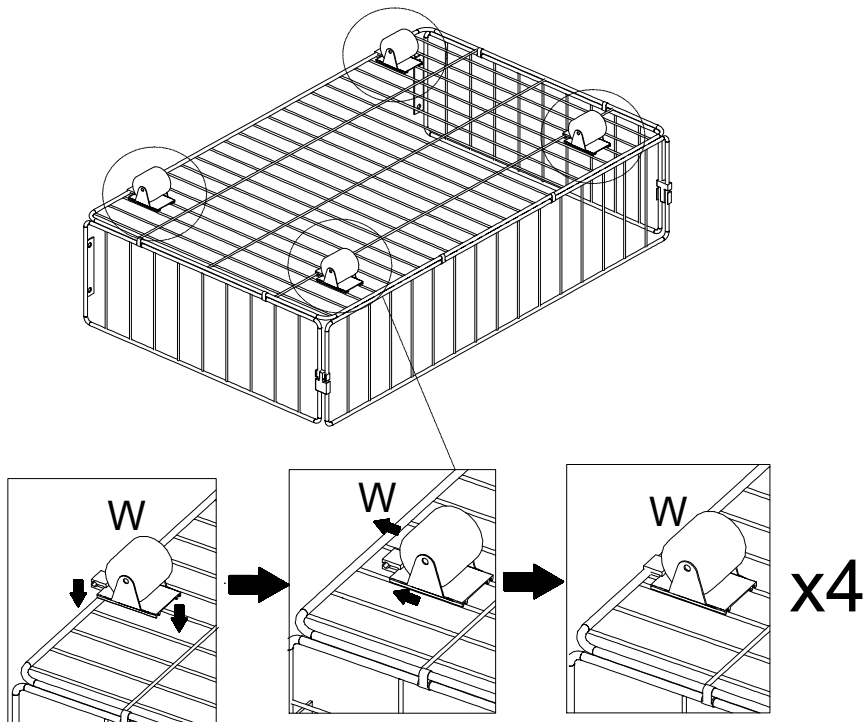
STEP 9 Unfold the drawer sides and connect the sides by the clamps




 Xx8pcs

x4

STEP 10 Insert the wheels onto the bottom of the drawer



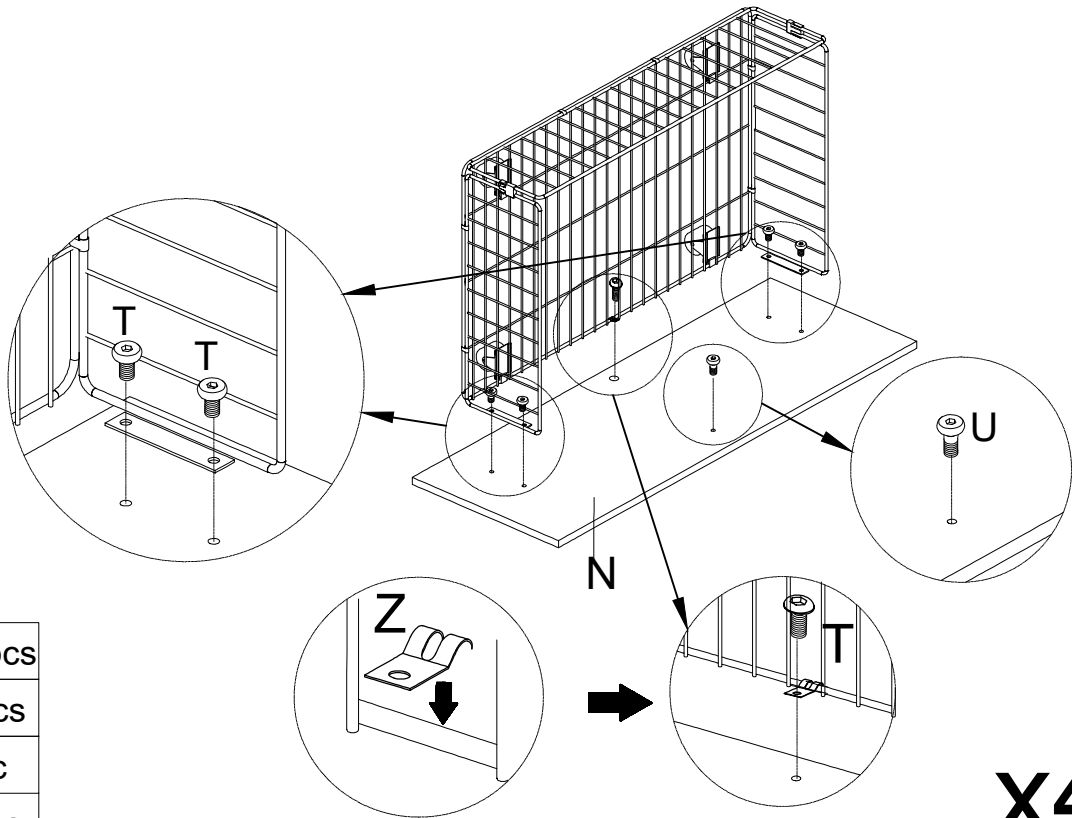
 Wx16pcs





x4

Assembly Steps (EN)/ Montageschritte(DE)

STEP 11

Fix the drawer into the drawer front

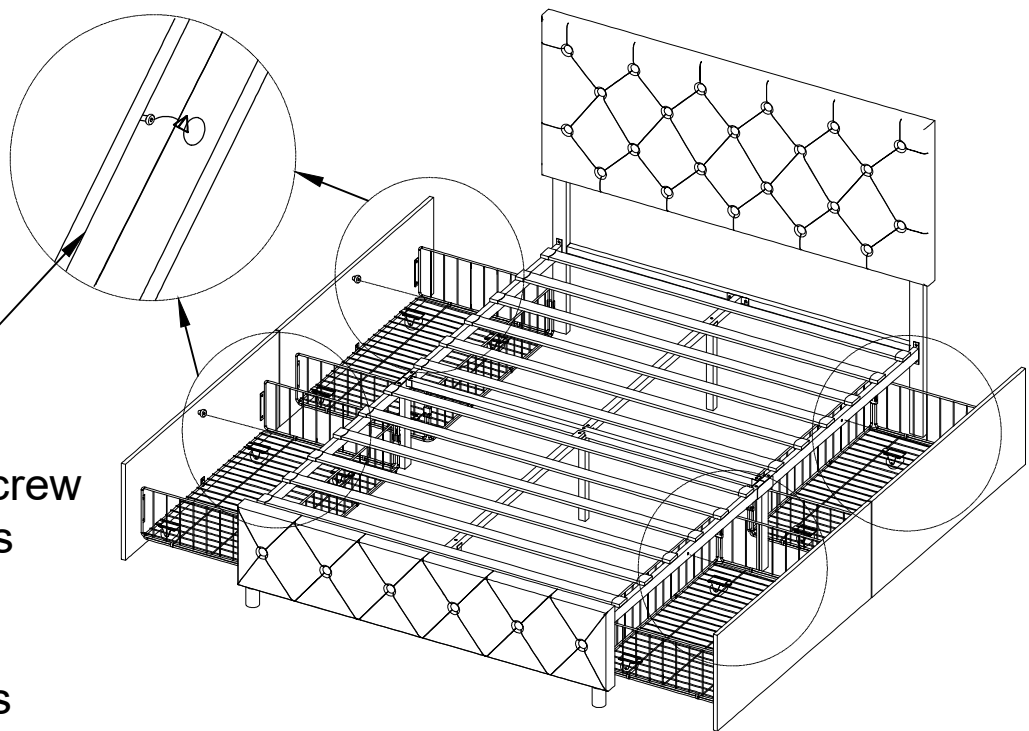


	Tx20pcs
	Ux4pcs
	Yx1pc
	Zx4pcs

STEP 12

Put the drawers under the bed

Note:
Attach the screw
into the holes
in the rail to
prevent the
unstablensess



STEP 13

Finished assembly

