

## Assembly Instruction

Simple Design TV Stand with Bins (up to 50-Inch)

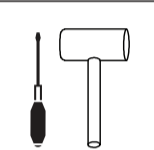
DIMENSION : 46.6"(W) x 22.3"(H) x 13.1"(D)

00:30

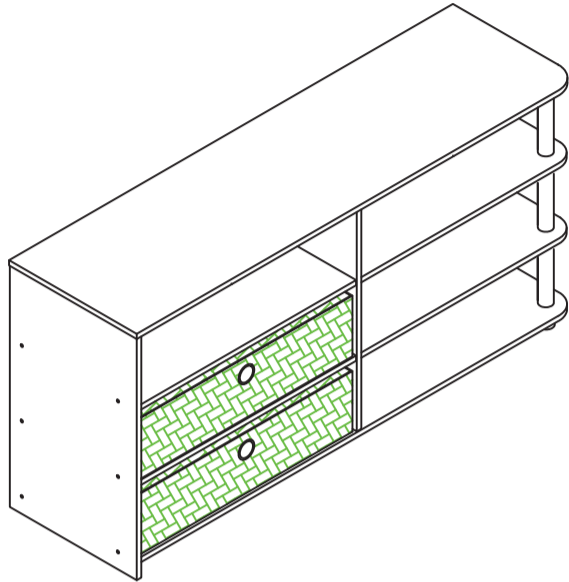
Approx. 30 minutes



Recomm. 2 Person

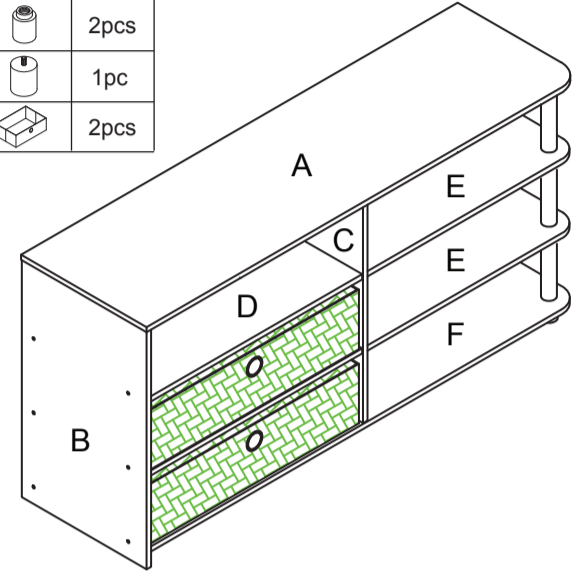


Tool Required



| No | Hardware List           | Qty   |
|----|-------------------------|-------|
| 1  | Mini Fix Bolt+Cam 1A 1B | 4pcs  |
| 2  | C/B Screw               | 12pcs |
| 3  | Short Dowel             | 12pcs |
| 4  | Long Dowel              | 4pcs  |
| 5  | Nail Leg                | 2pcs  |
| 6  | Power Pin               | 20pcs |
| 7  | Short Round Pole        | 6pcs  |
| 8  | Insert Cap              | 2pcs  |
| 9  | Round Leg               | 2pcs  |
| 10 | Round Plug Leg          | 1pc   |
| 11 | Non-Woven Bin           | 2pcs  |

| No | Parts List        | Qty  |
|----|-------------------|------|
| A  | Top Panel         | 1pc  |
| B  | Left Side Panel   | 1pc  |
| C  | Center Side Panel | 1pc  |
| D  | Left Shelf Panel  | 2pcs |
| E  | Right Shelf Panel | 2pcs |
| F  | Bottom Panel      | 1pc  |
| G  | Back Panel        | 2pcs |



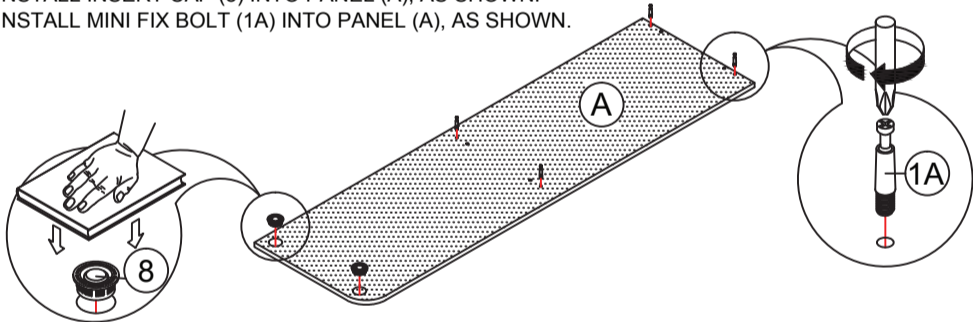
### USEFUL HINTS BEFORE YOU START:

1. Read each step carefully before starting.
2. It is important that each step is performed in correct order to avoid difficulties.
3. Identify, sort and count the parts before assembly.
4. Assemble your furniture on packaging cardboard to prevent scratch or damage.
5. Clean the product with mild cleanser using soft damp cloth. Do not use harsh or abrasive cleanser.
6. Using incompatible hardware might cause damage to product.

### ASSEMBLY INSTRUCTION

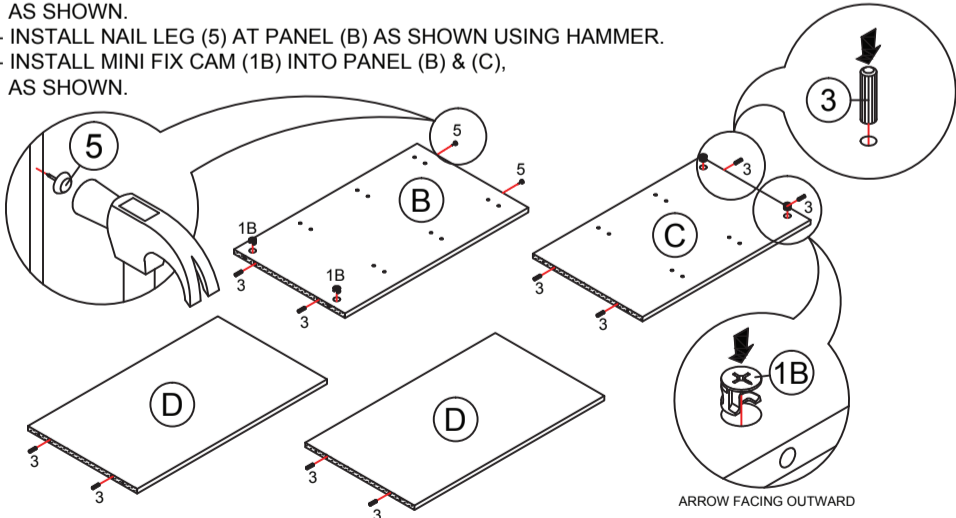
#### STEP 1

- INSTALL INSERT CAP (8) INTO PANEL (A), AS SHOWN.
- INSTALL MINI FIX BOLT (1A) INTO PANEL (A), AS SHOWN.



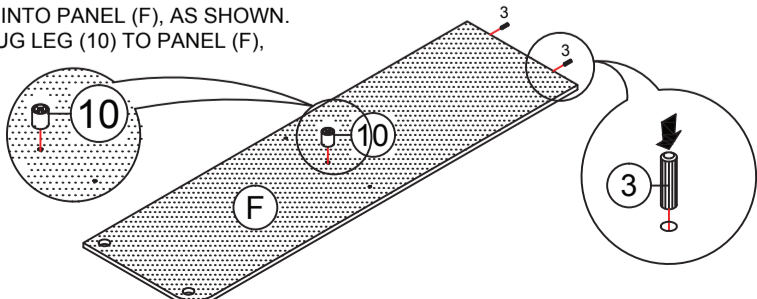
#### STEP 2

- INSTALL DOWEL (3) INTO PANEL (B) (C) & (D), AS SHOWN.
- INSTALL NAIL LEG (5) AT PANEL (B) AS SHOWN USING HAMMER.
- INSTALL MINI FIX CAM (1B) INTO PANEL (B) & (C), AS SHOWN.



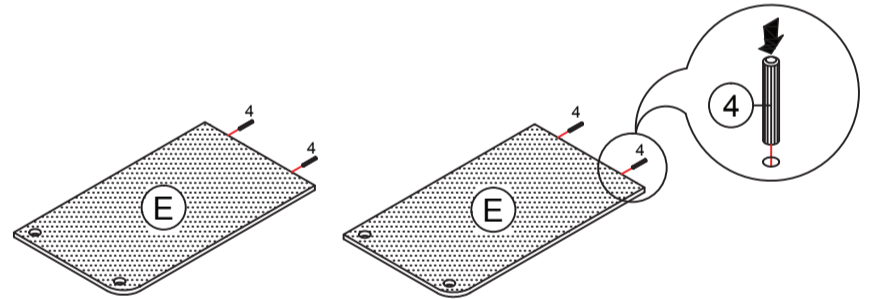
#### STEP 3

- INSTALL DOWEL (3) INTO PANEL (F), AS SHOWN.
- ATTACH ROUND PLUG LEG (10) TO PANEL (F), AS SHOWN.



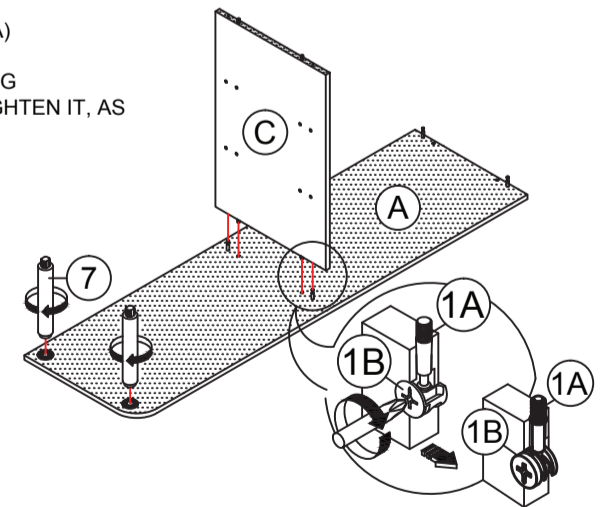
#### STEP 4

- INSTALL DOWEL (4) INTO PANEL (E), AS SHOWN.



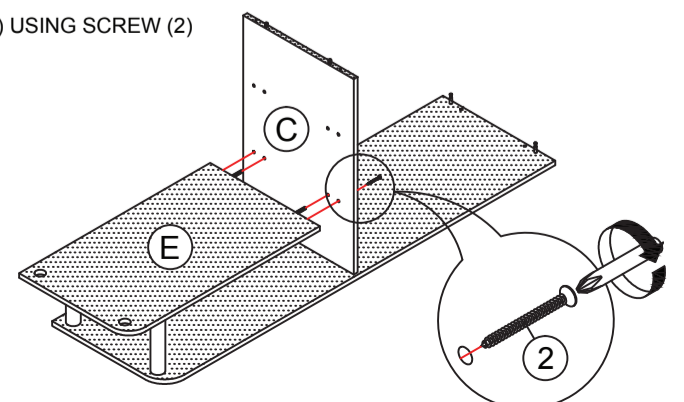
#### STEP 5

- ATTACH ROUND POLE (7) TO PANEL (A) AND TIGHTEN IT, AS SHOWN.
- ATTACH PANEL (C) TO PANEL (A) USING MINI FIX BOLT (1A) & CAM (1B) AND TIGHTEN IT, AS SHOWN.

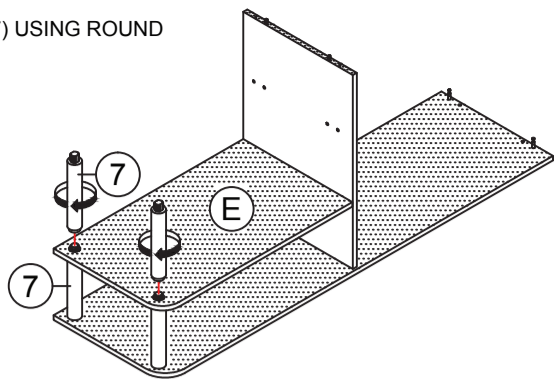


#### STEP 6

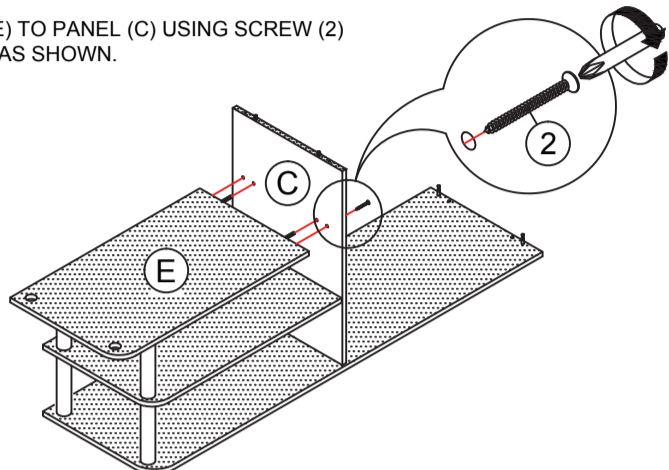
- ATTACH PANEL (E) TO PANEL (C) USING SCREW (2) AND TIGHTEN IT, AS SHOWN.



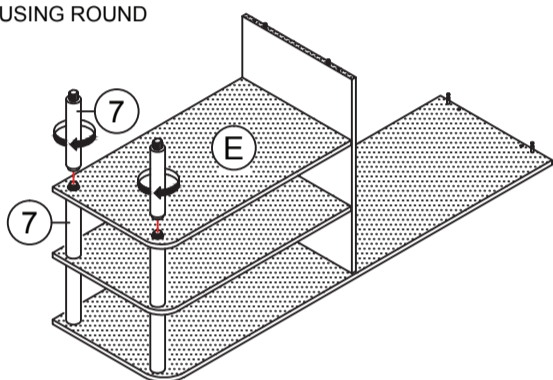
**STEP 7**  
ATTACH PANEL (E) TO ROUND POLE (7) USING ROUND POLE (7) AND TIGHTEN IT, AS SHOWN.



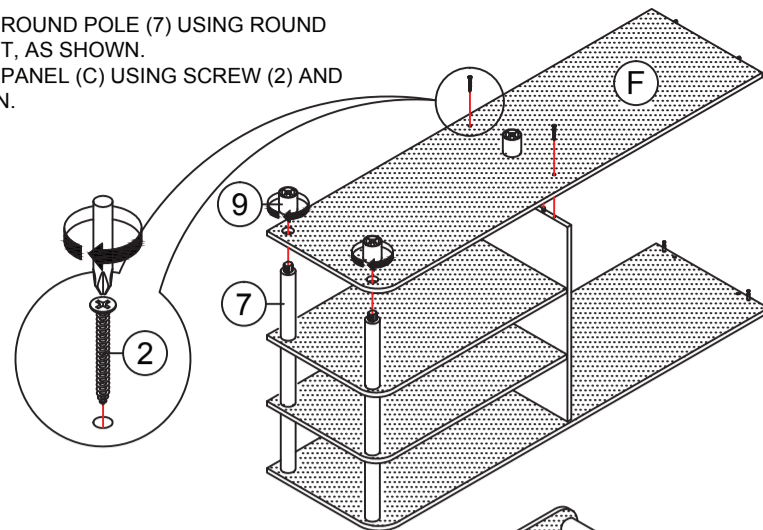
**STEP 8**  
ATTACH PANEL (E) TO PANEL (C) USING SCREW (2) AND TIGHTEN IT, AS SHOWN.



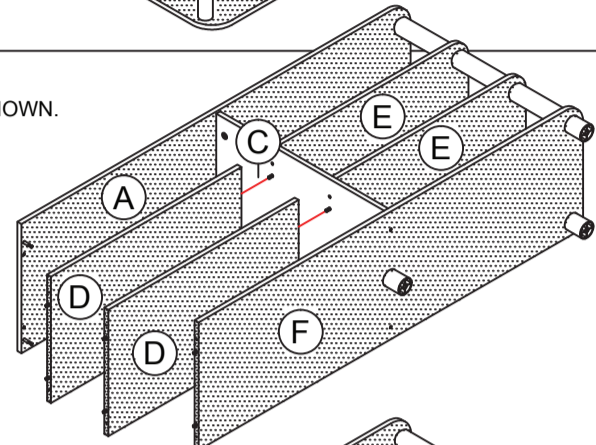
**STEP 9**  
ATTACH PANEL (E) TO ROUND POLE (7) USING ROUND POLE (7) AND TIGHTEN IT, AS SHOWN.



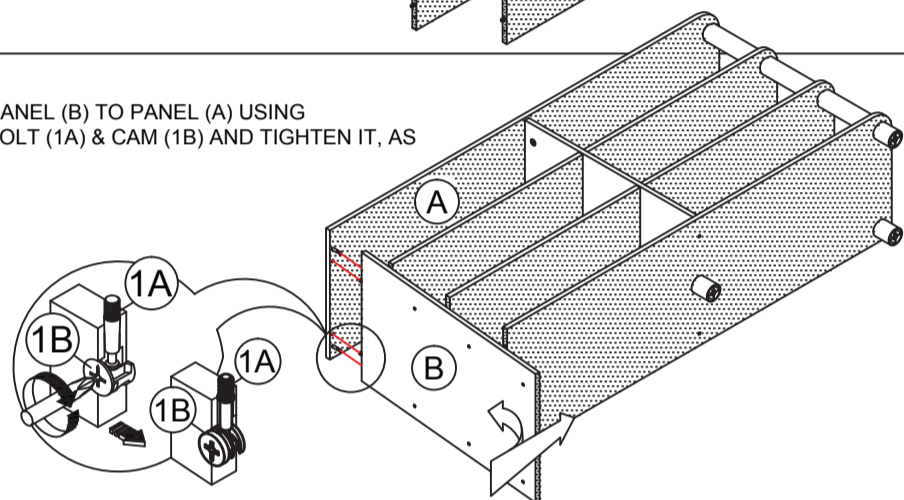
**STEP 10**  
- ATTACH PANEL (F) TO ROUND POLE (7) USING ROUND LEG (9) AND TIGHTEN IT, AS SHOWN.  
- ATTACH PANEL (F) TO PANEL (C) USING SCREW (2) AND TIGHTEN IT, AS SHOWN.



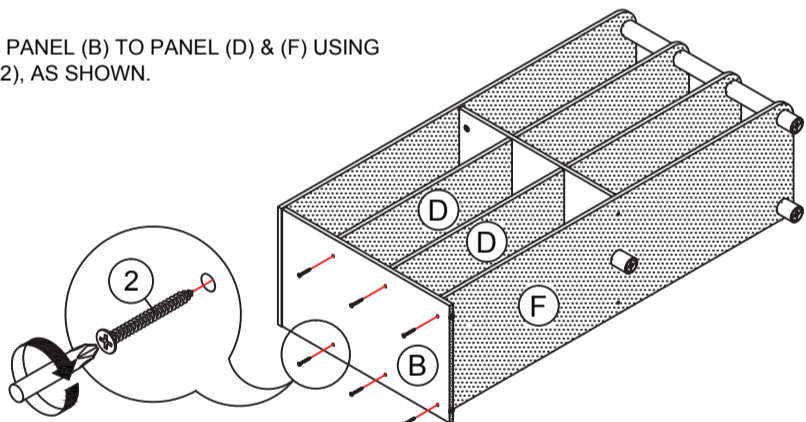
**STEP 11**  
ATTACH PANEL (D) TO PANEL (C), AS SHOWN.



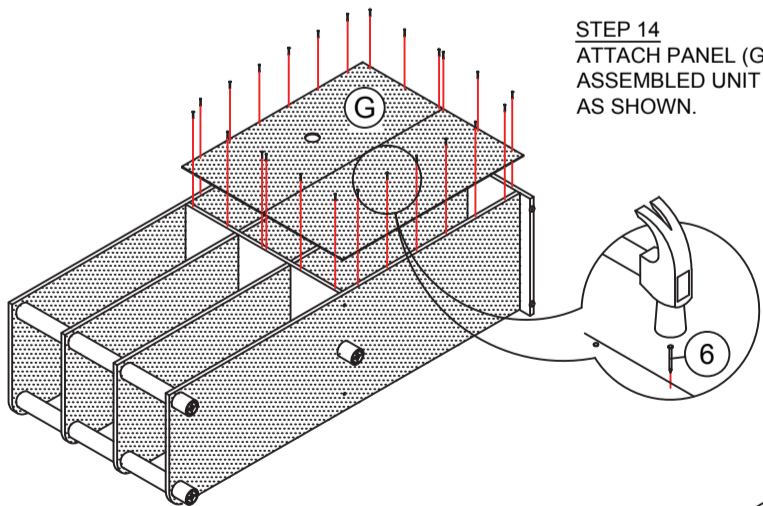
**STEP 12**  
ATTACH PANEL (B) TO PANEL (A) USING MINI FIX BOLT (1A) & CAM (1B) AND TIGHTEN IT, AS SHOWN.



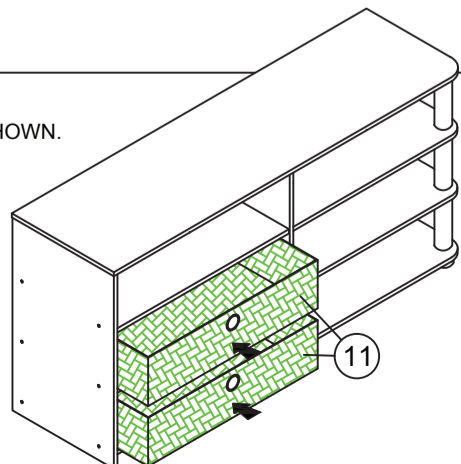
**STEP 13**  
- ATTACH PANEL (B) TO PANEL (D) & (F) USING SCREW (2), AS SHOWN.



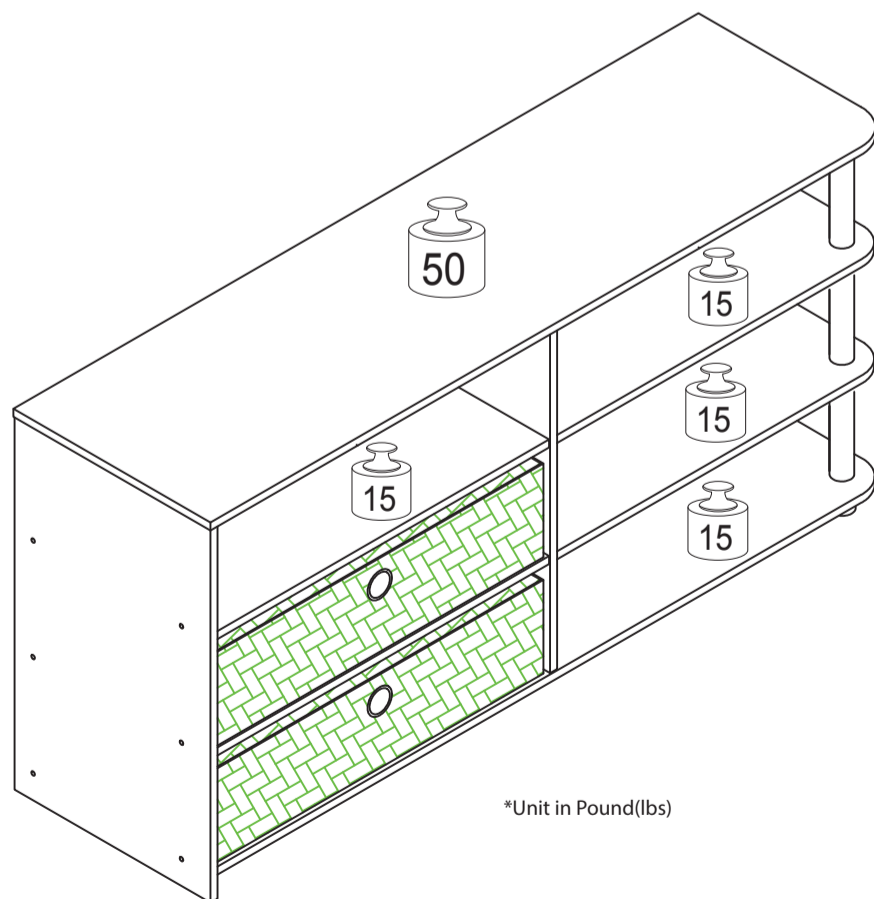
**STEP 14**  
ATTACH PANEL (G) TO BACK POSITION OF ASSEMBLED UNIT USING POWER PIN (6), AS SHOWN.



**STEP 15**  
ATTACH NON-WOVEN BIN (11) TO PANEL, AS SHOWN.



**Recommended Maximum Weight**



\*Unit in Pound(lbs)

**WARNING:**

>This unit has been designed to support the maximum loads shown. Exceeding these load limits could cause sagging, instability, product collapse, and/or serious injury.

>DO NOT allow children to climb on unit.

>Put heavier items on lower shelves.