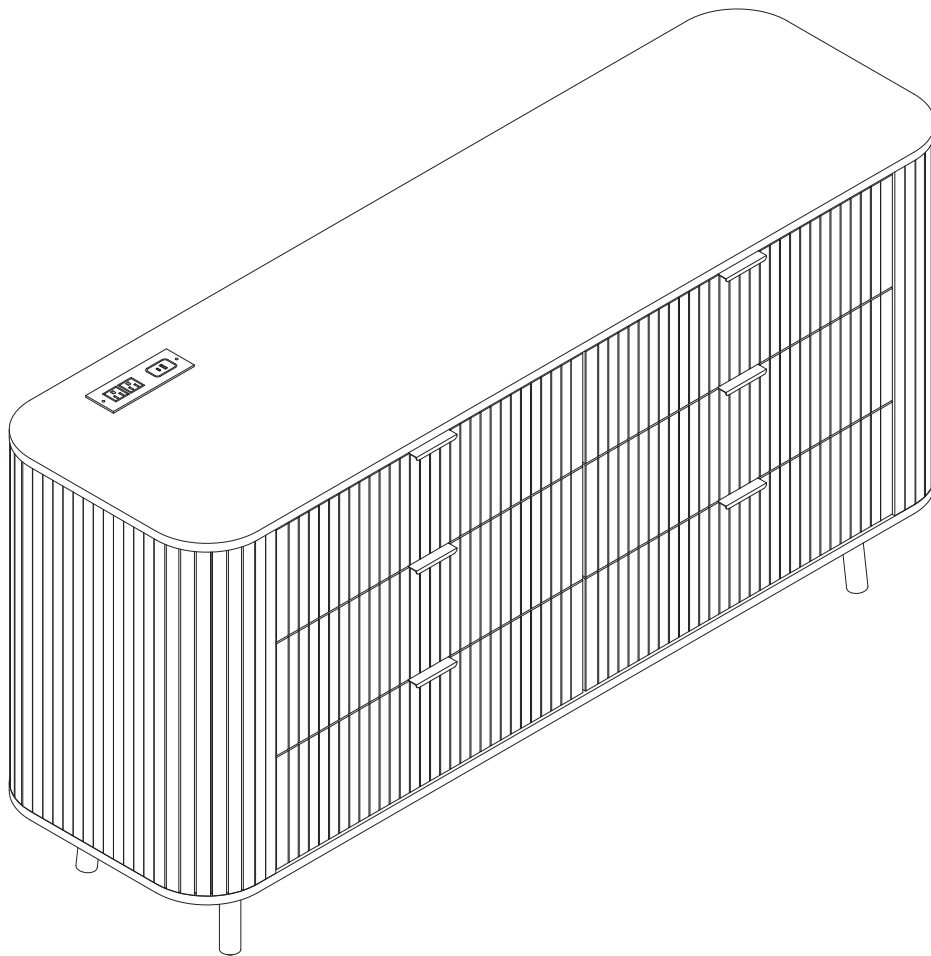
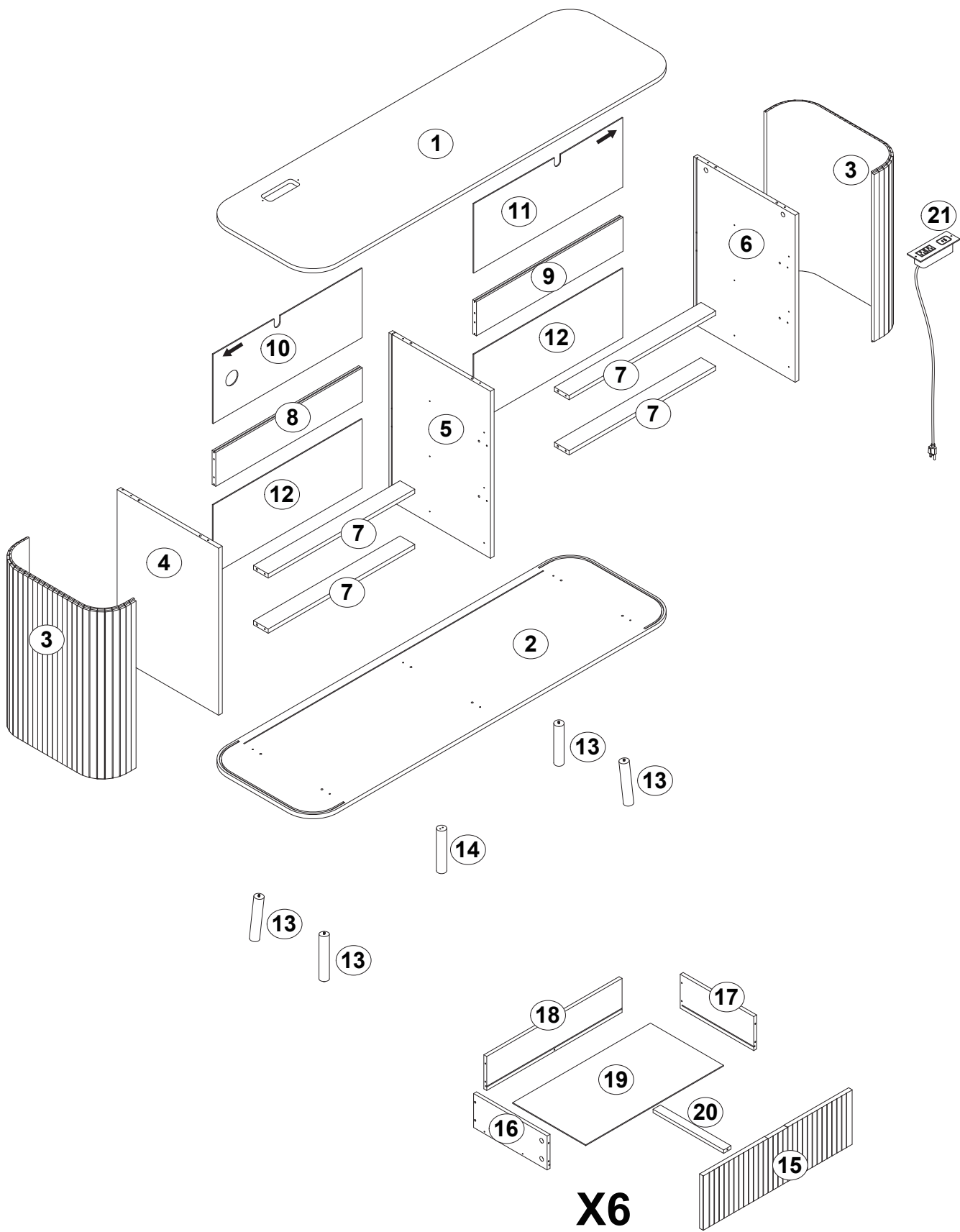


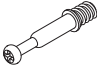
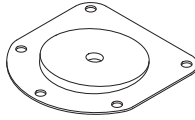

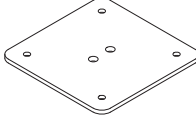

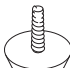

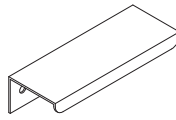





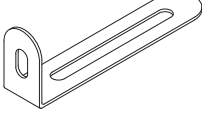


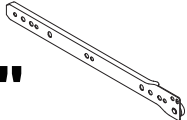
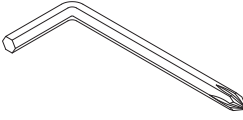
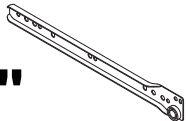

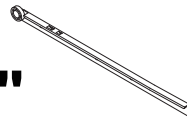
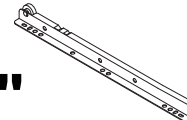
ASSEMBLING INSTRUCTION

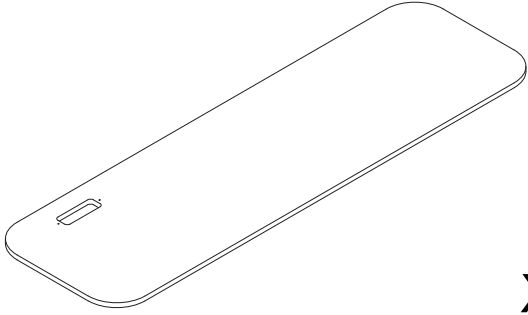
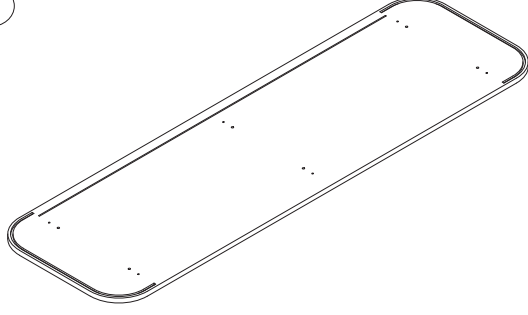

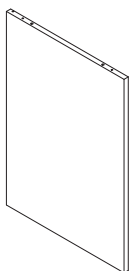
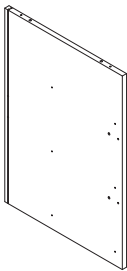
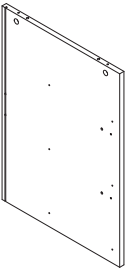
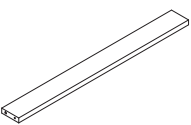
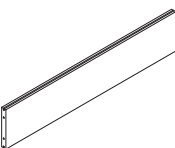
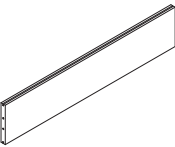
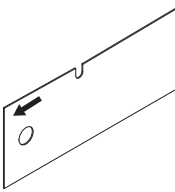
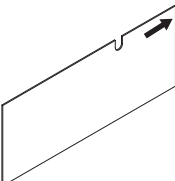
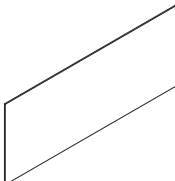




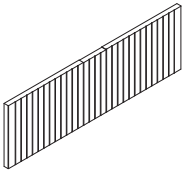
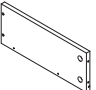
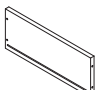
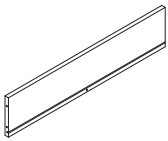
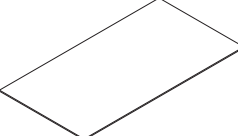


Warm Tips:

If you experience any issues with damaged or missing parts, or notice a quality defect, we kindly ask you to share the part number along with photos of the issue. Once we have reviewed and confirmed the details, we will provide appropriate solutions, including arranging a replacement. We sincerely appreciate your understanding and patience!

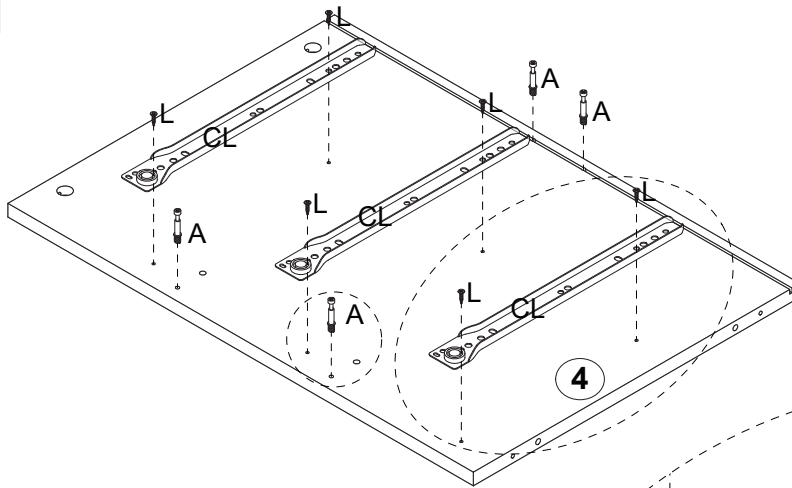
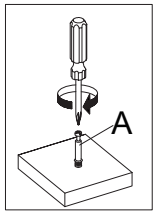


A		52	H		4
B		52	I		1
C		20	J	 M6	1
D	 M4*40mm	8	K		6
E		16	L	 M3*12mm	48
F	 M3*14mm	18	M	 M4*30mm	32
G	 M4*14mm	26	N		2
			O		2
			P		52
CL	 12"	6	Q		1
CR	 12"	6	R	 M3*10mm	12
DL	 12"	6			
DR	 12"	6			

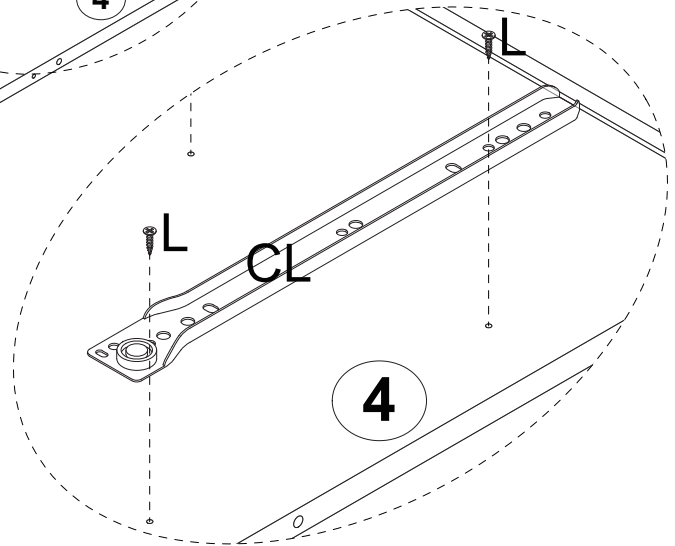
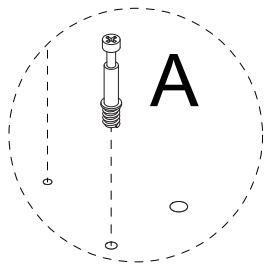
<p>①</p>  <p>X1</p>	<p>②</p>  <p>X1</p>	
<p>③</p>  <p>X2</p>	<p>④</p>  <p>X1</p>	<p>⑤</p>  <p>X1</p>
<p>⑥</p>  <p>X1</p>	<p>⑦</p>  <p>X4</p>	<p>⑧</p>  <p>X1</p>
<p>⑨</p>  <p>X1</p>	<p>⑩</p>  <p>X1</p>	<p>⑪</p>  <p>X1</p>
<p>⑫</p>  <p>X2</p>	<p>⑬</p>  <p>X4</p>	<p>⑭</p>  <p>X1</p>

<p>⑮</p>  <p>X6</p>	<p>⑯</p>  <p>X6</p>	<p>⑰</p>  <p>X6</p>
<p>⑱</p>  <p>X6</p>	<p>⑲</p>  <p>X6</p>	<p>⑳</p>  <p>X6</p>
<p>㉑</p>  <p>X1</p>		

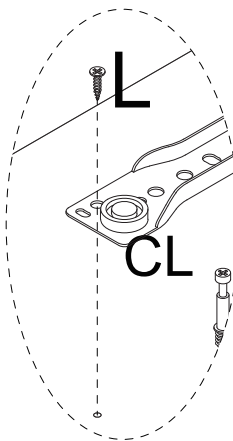
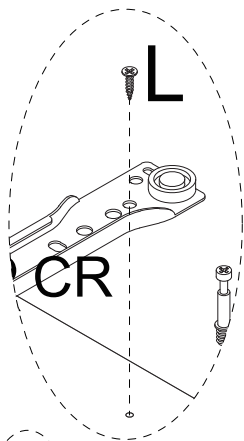
Step:1



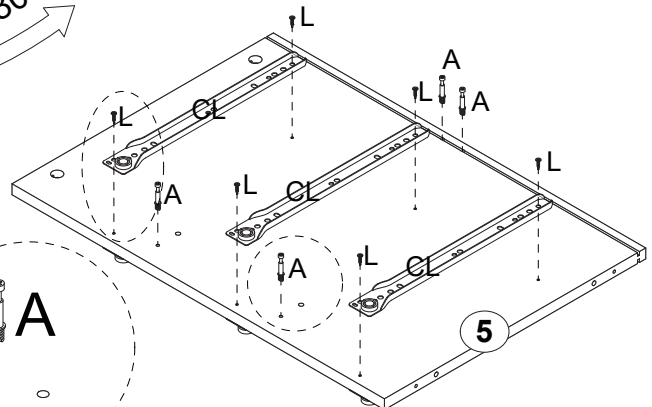
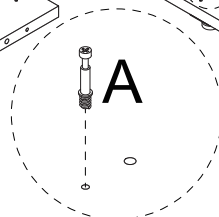
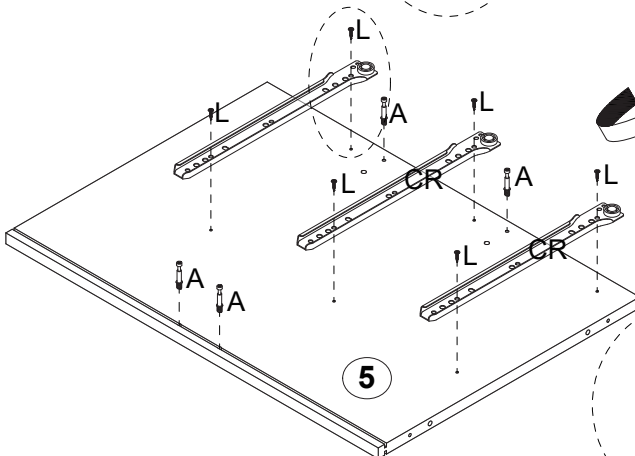
A		X4
L	M3*12mm	X6
CL	12"	X3



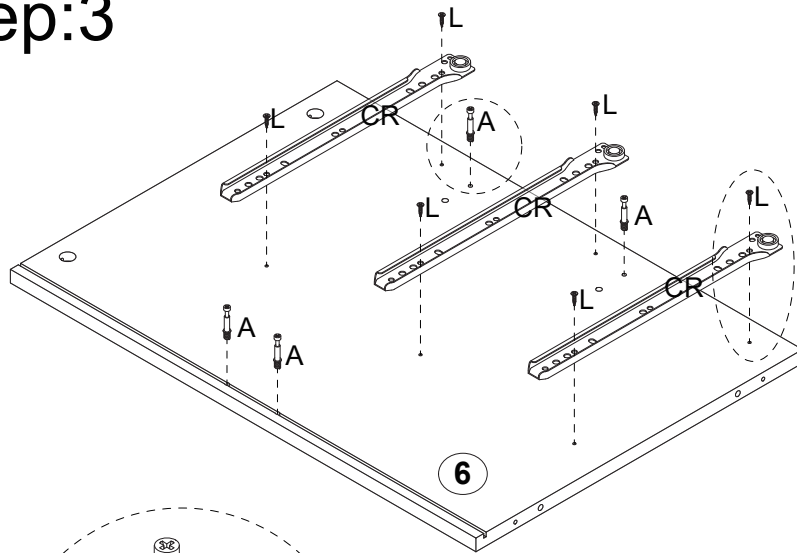
Step:2



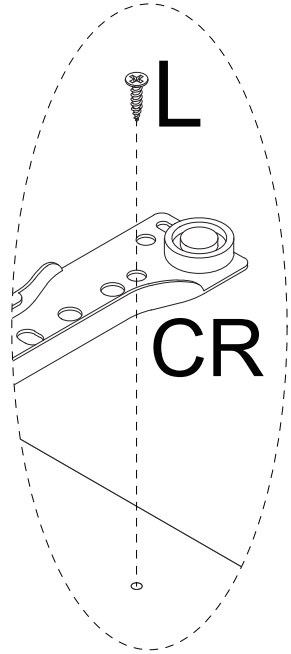
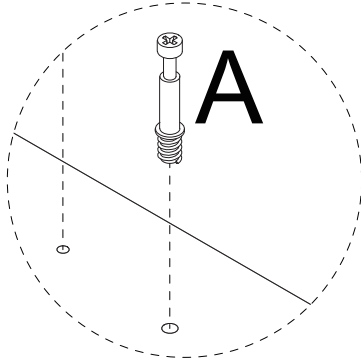
A		X8
L	M3*12mm	X12
CL	12"	X3
CR	12"	X3



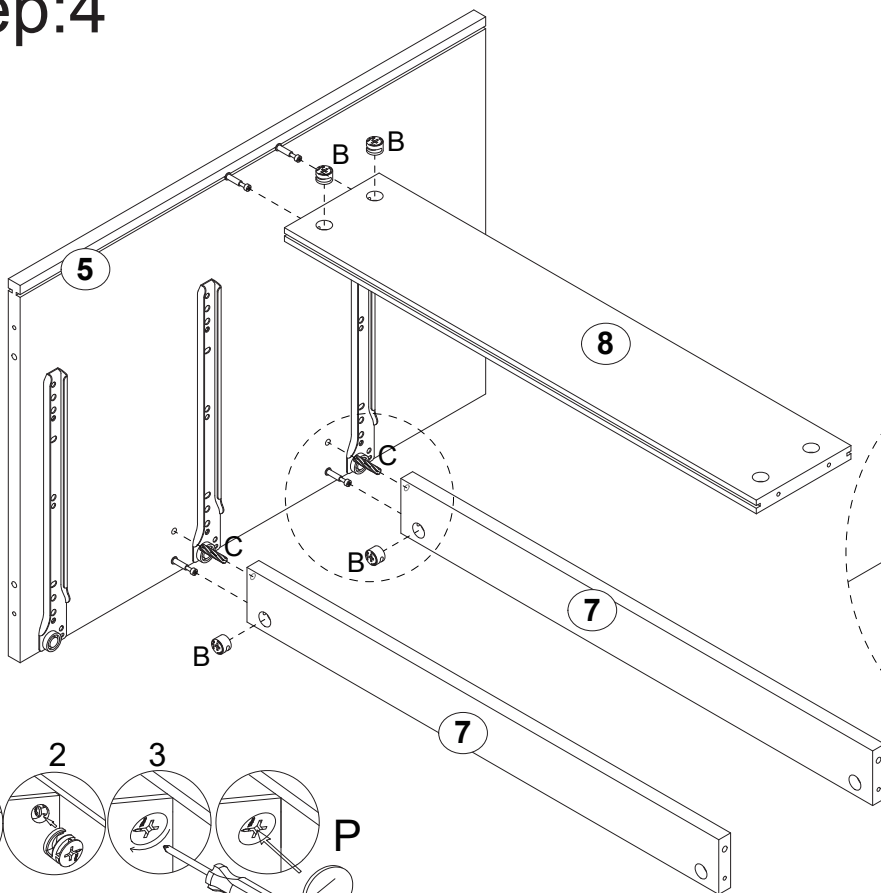
Step:3



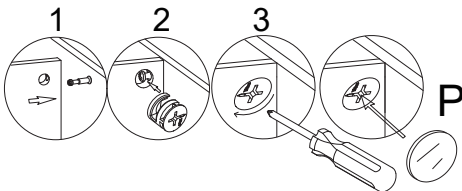
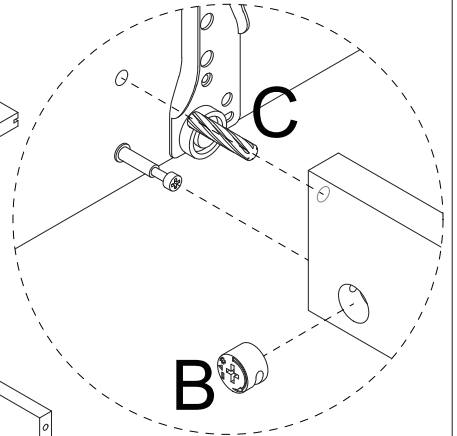
A		X4
L	M3*12mm	X6
CR	12"	X3






Step:4

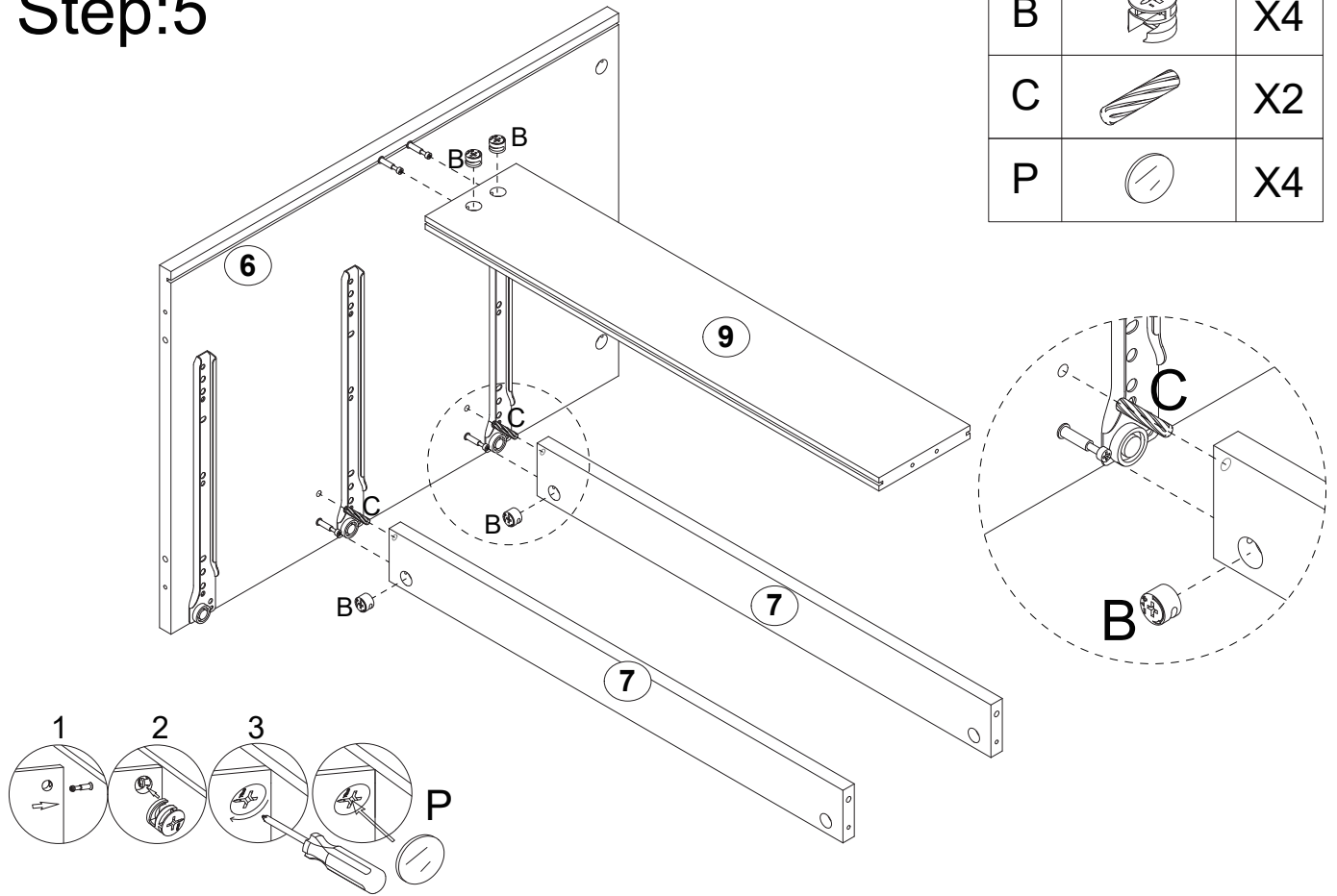


B		X4
C		X2
P		X4






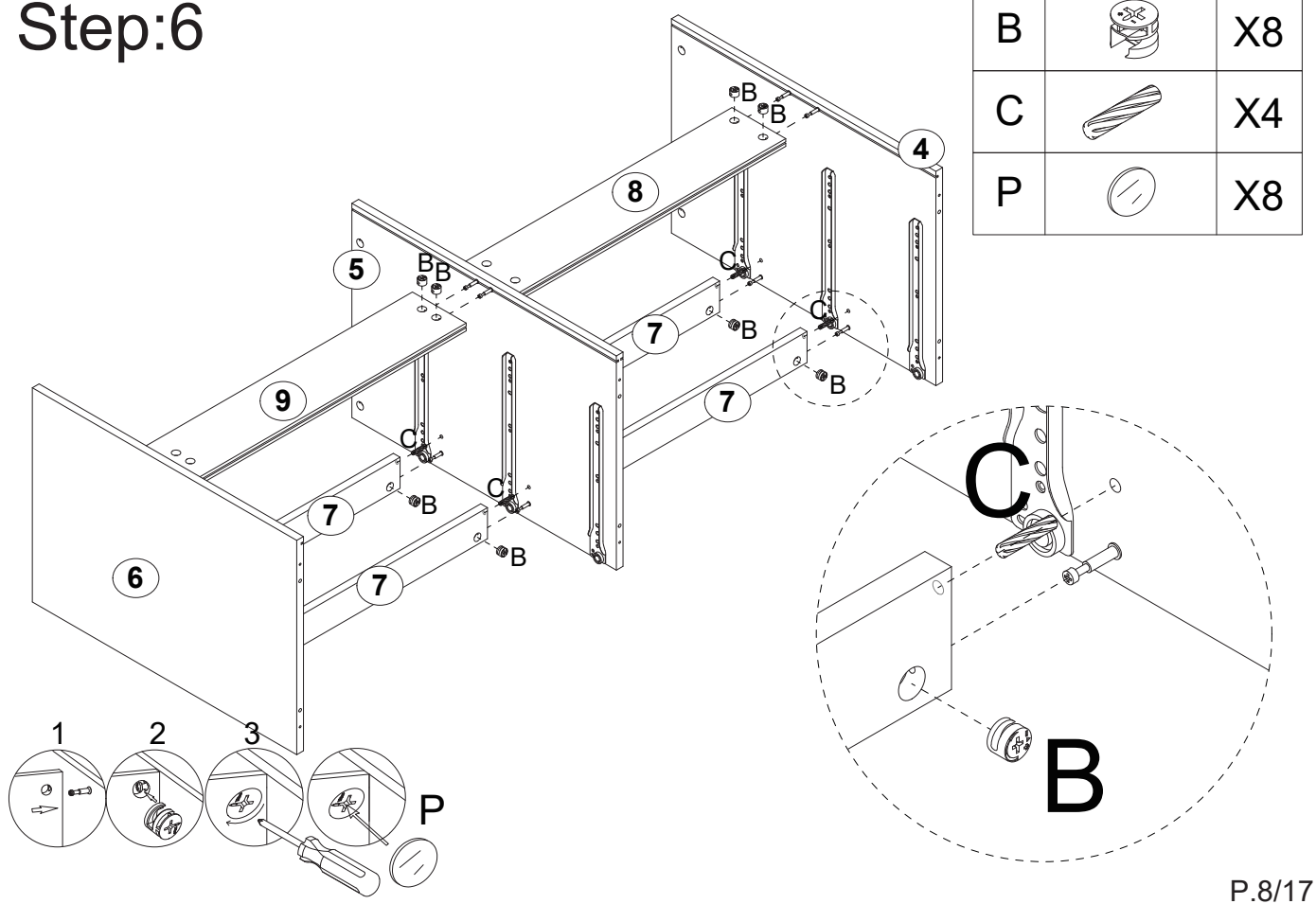
Step:5

B		X4
C		X2
P		X4

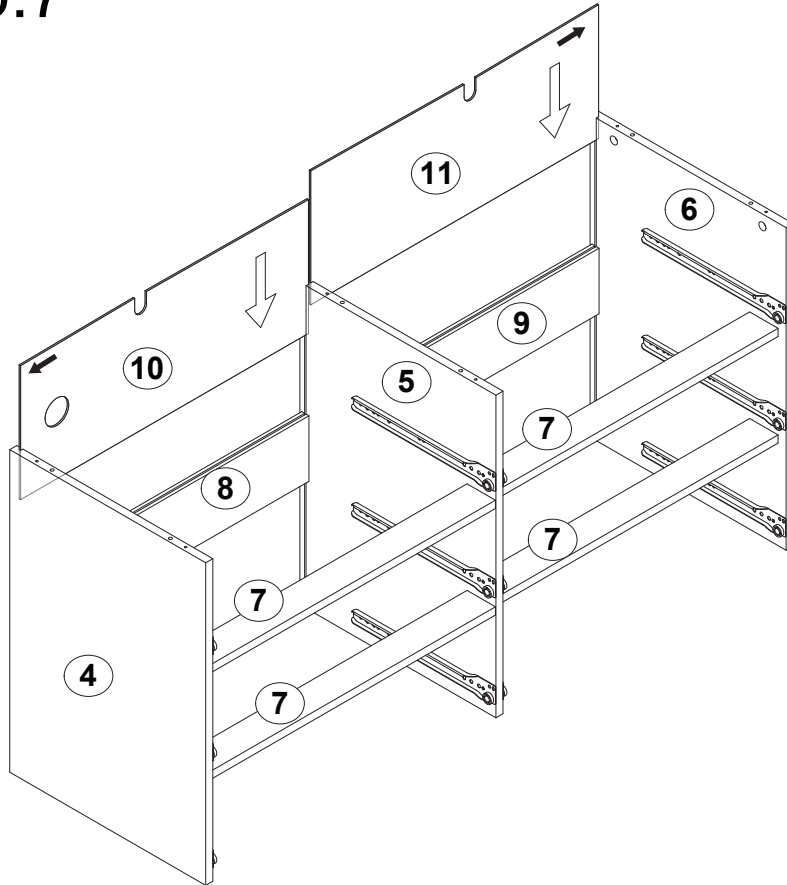


Step:6

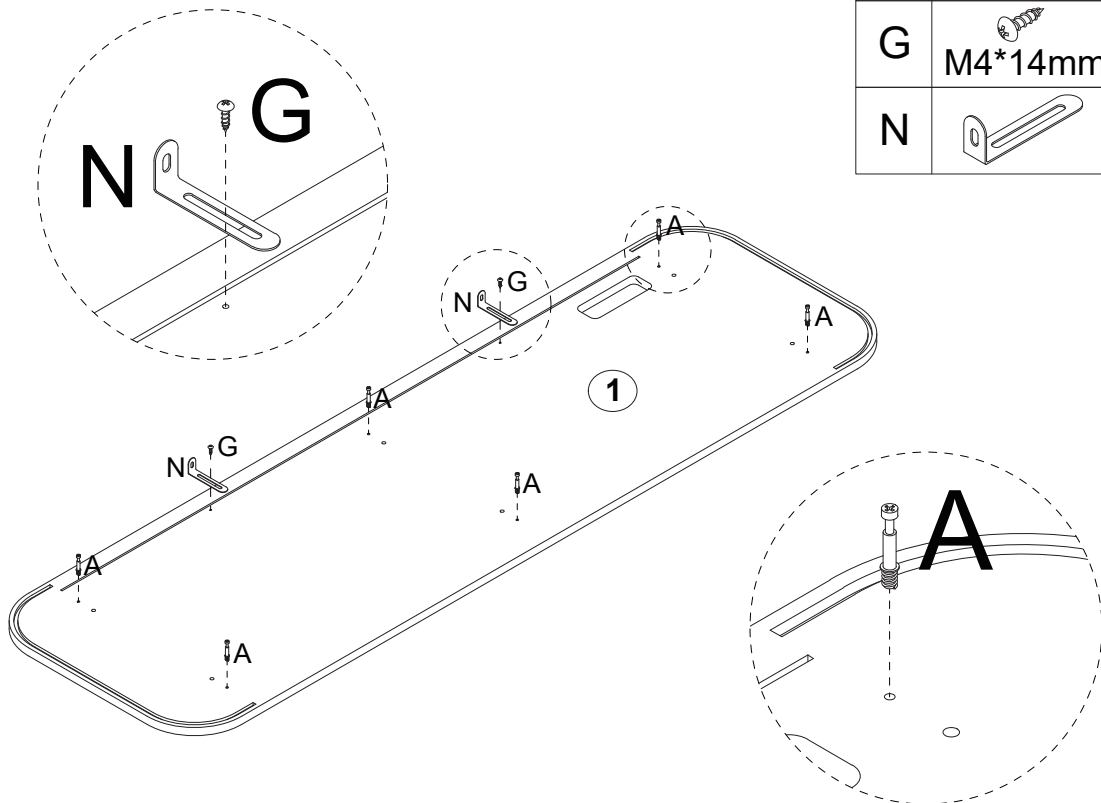
B		X8
C		X4
P		X8

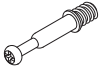

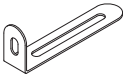


Step:7

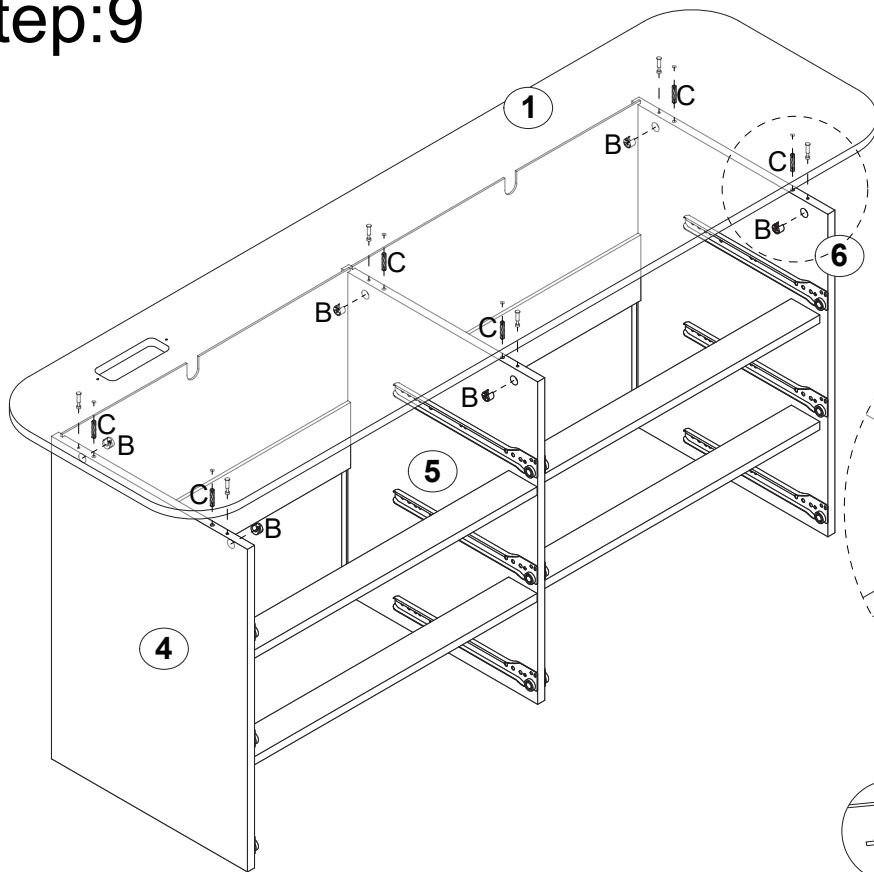





Step:8

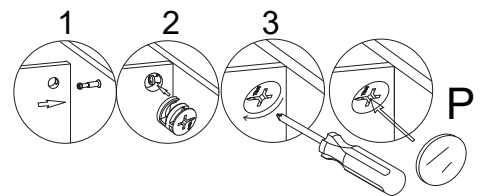
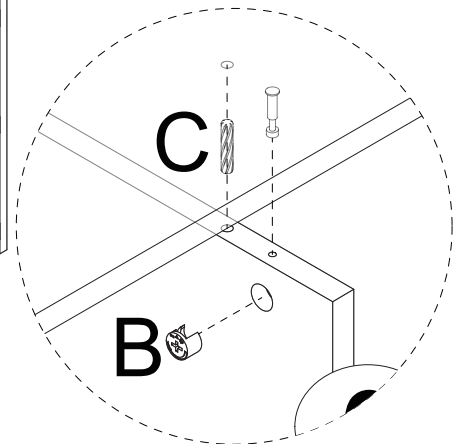


A		X6
G	 M4*14mm	X2
N		X2

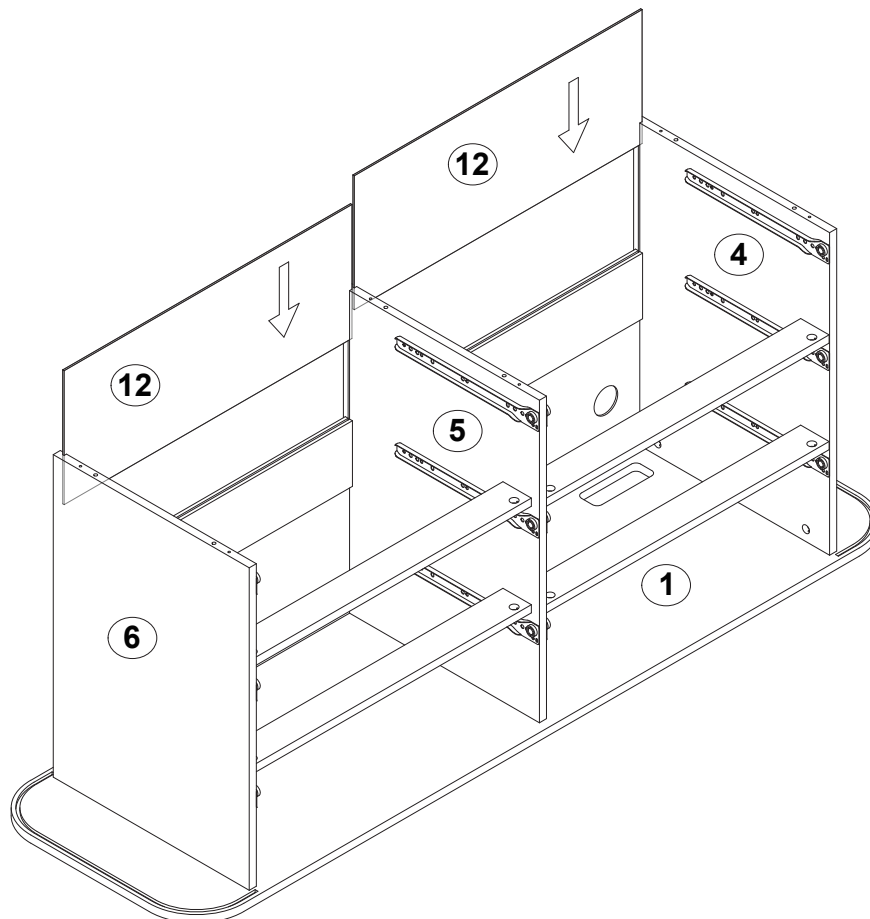
Step:9



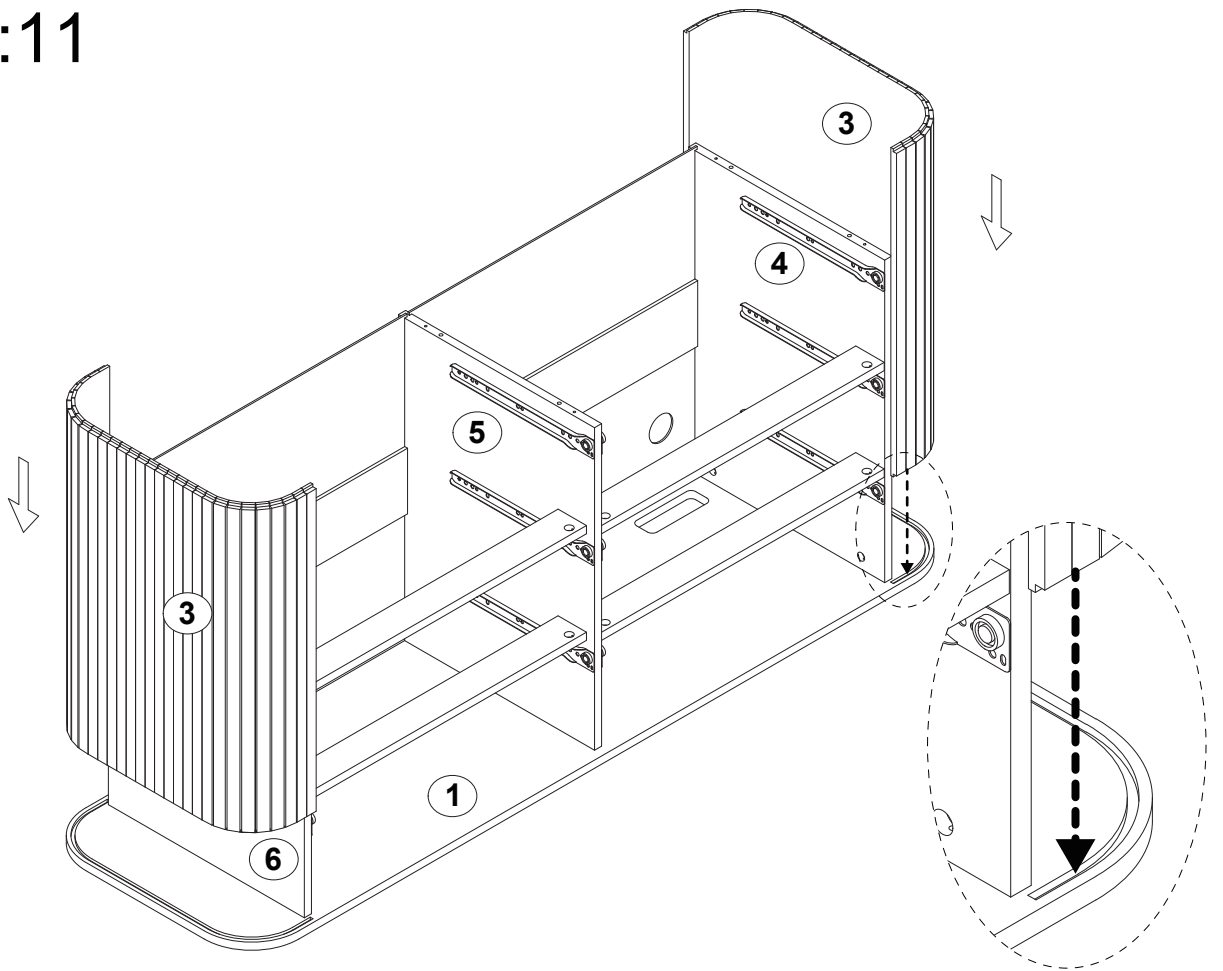
B		X6
C		X6
P		X6



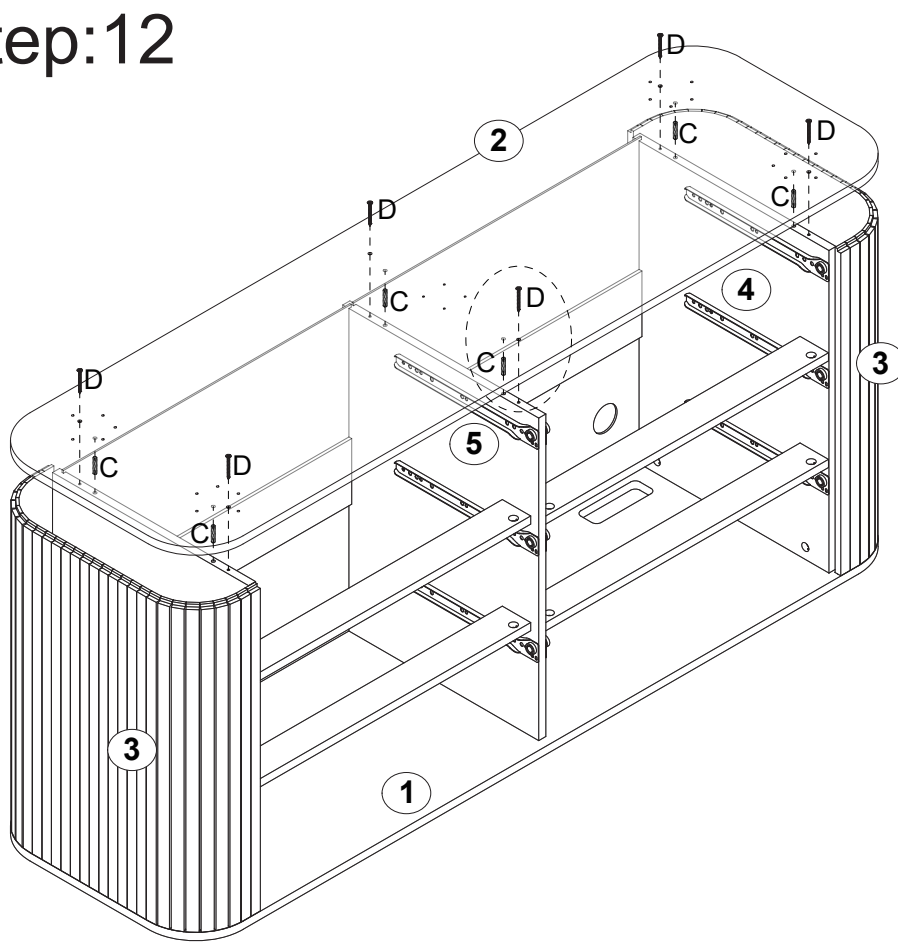
Step:10





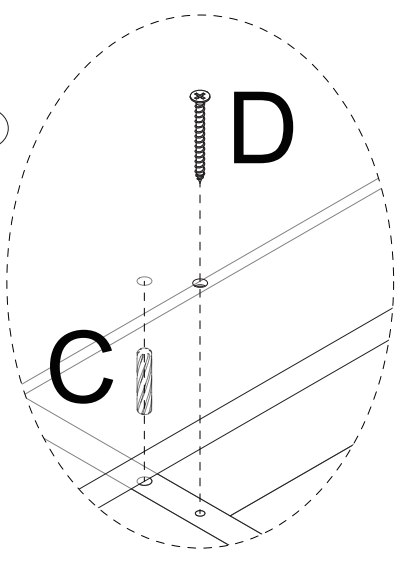
Step:11



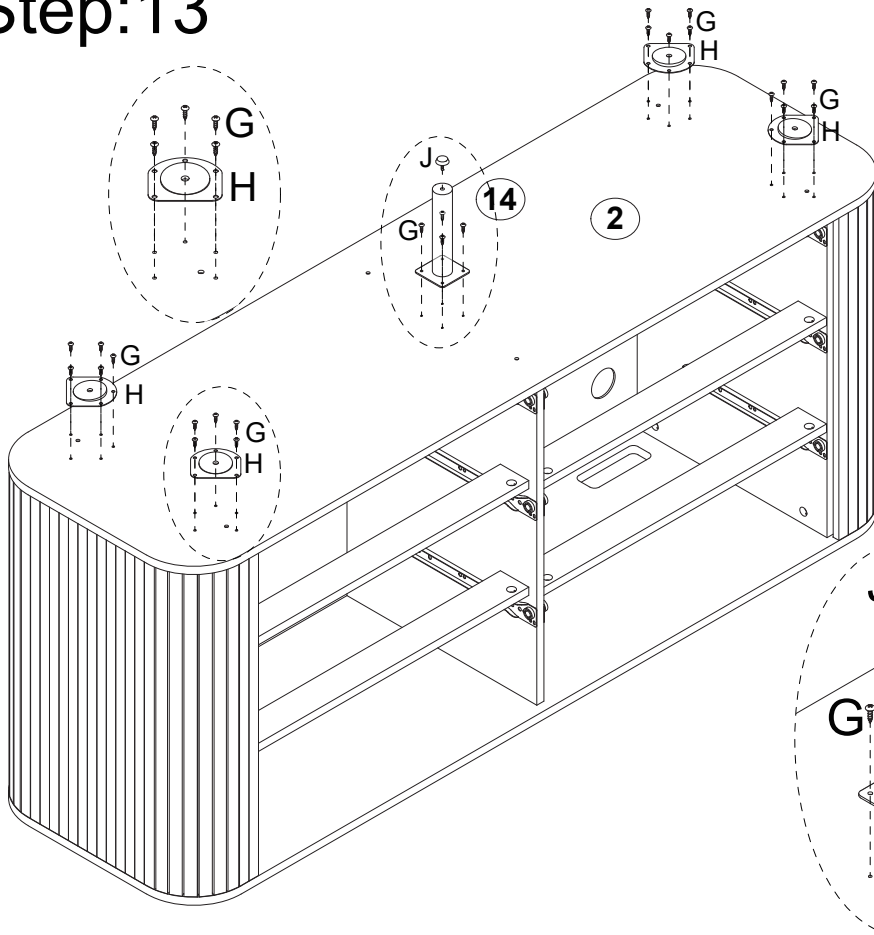
Step:12


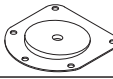
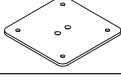




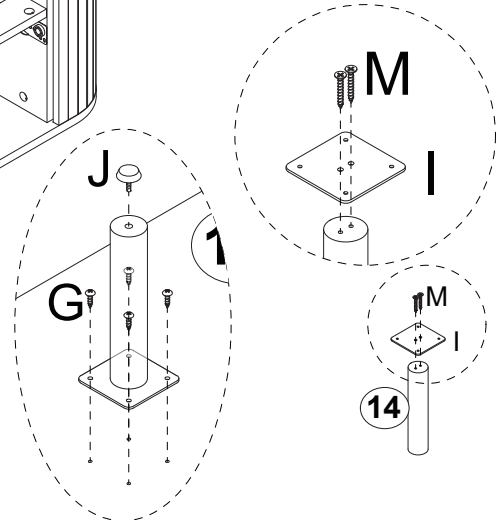
C		X6
D	 M4*40mm	X6



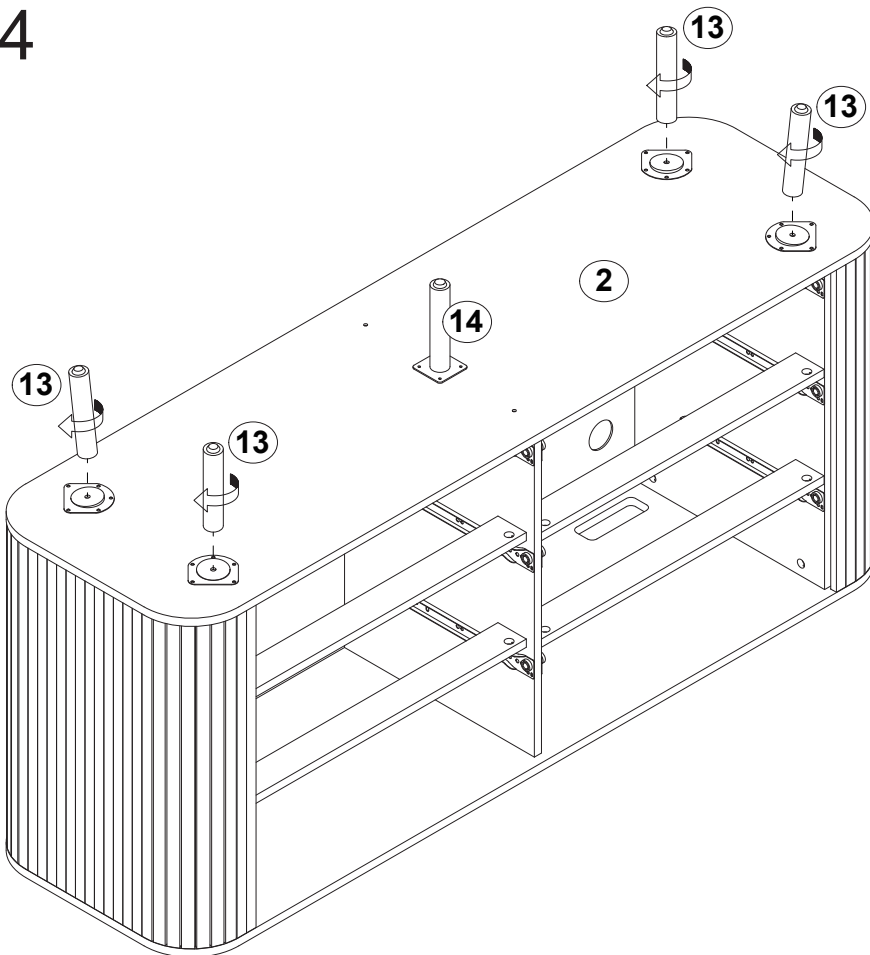
Step:13





G	 M4*14mm	X24
H		X4
I		X1
J	 M6	X1
M	 M4*30mm	X2

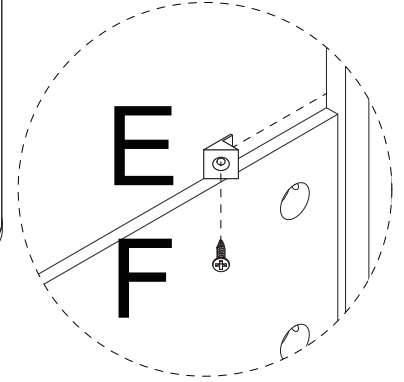
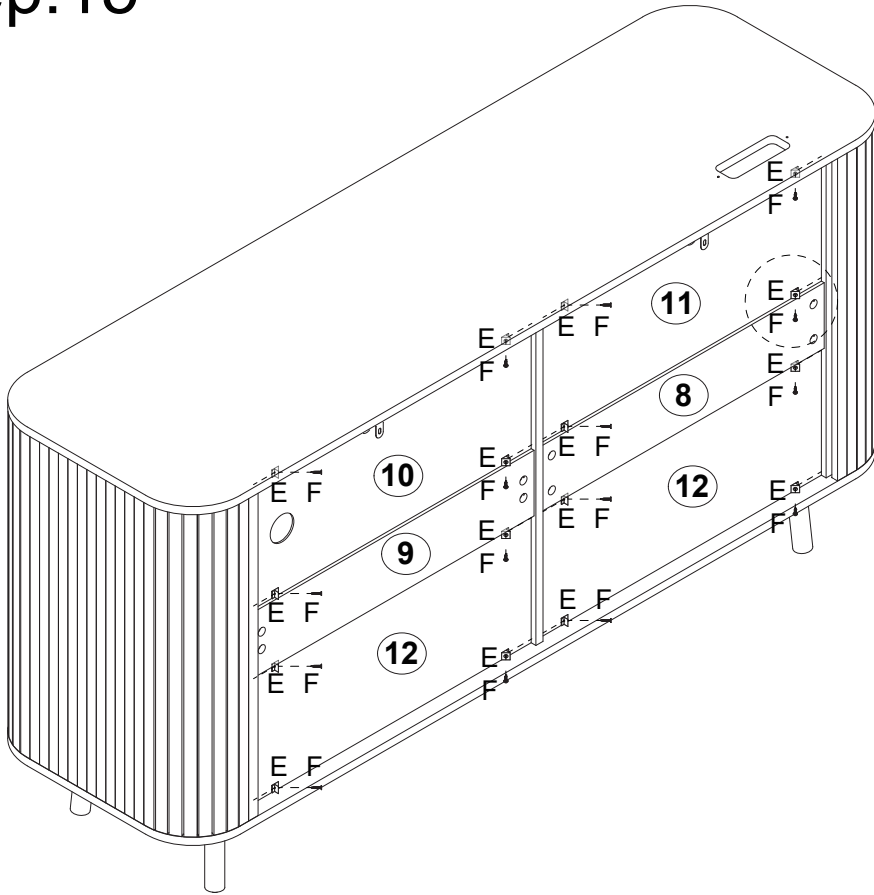


Step:14



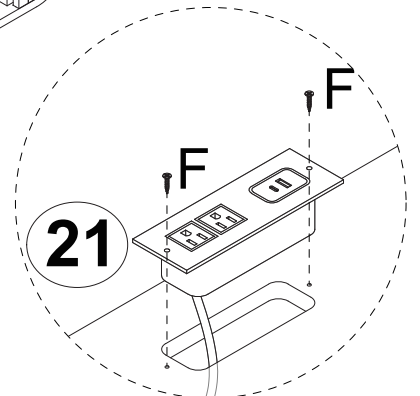
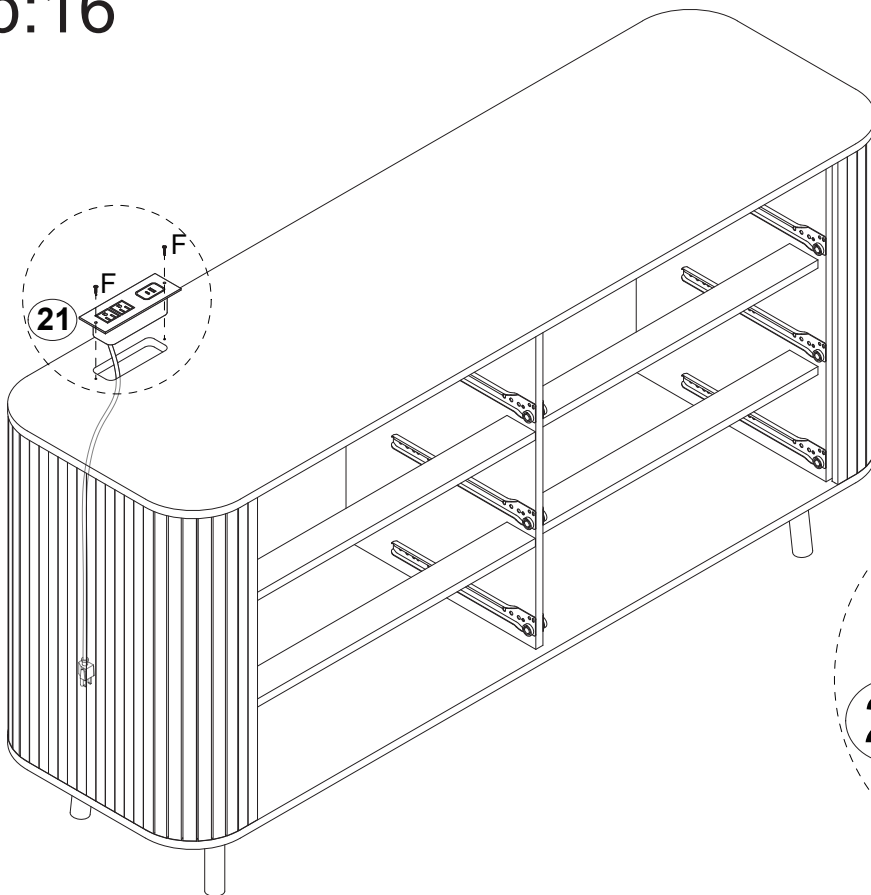
Step:15

E		X16
F	 M3*14mm	X16

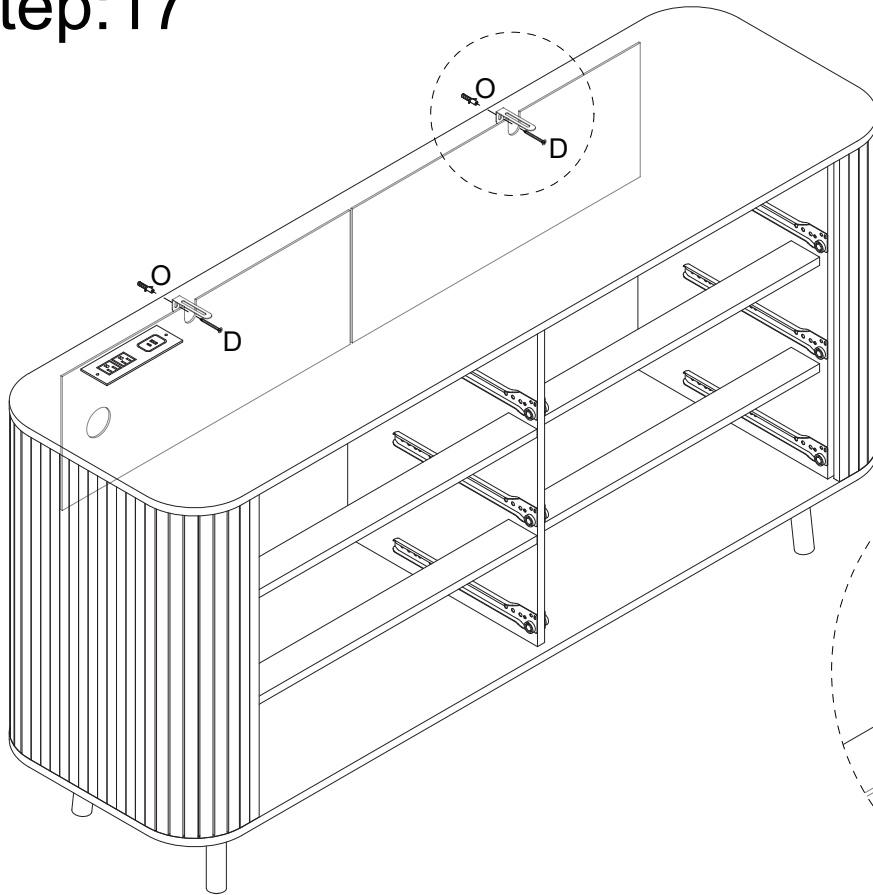




Step:16

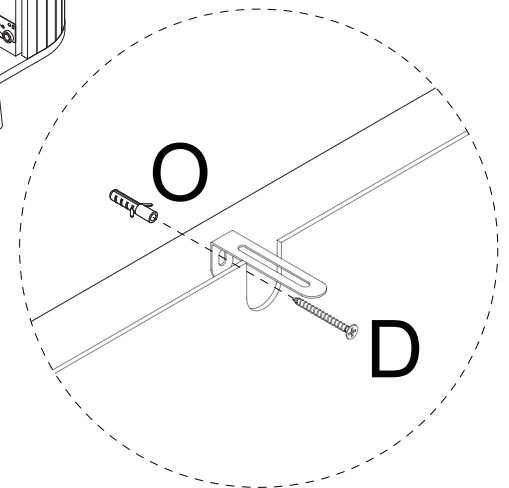
F	 M3*14mm	X2
---	---	----



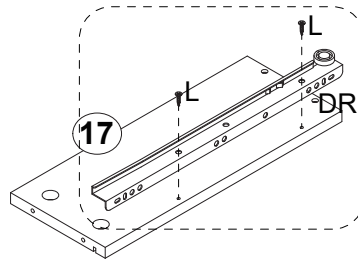
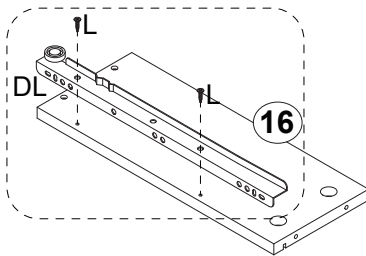
Step:17



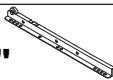


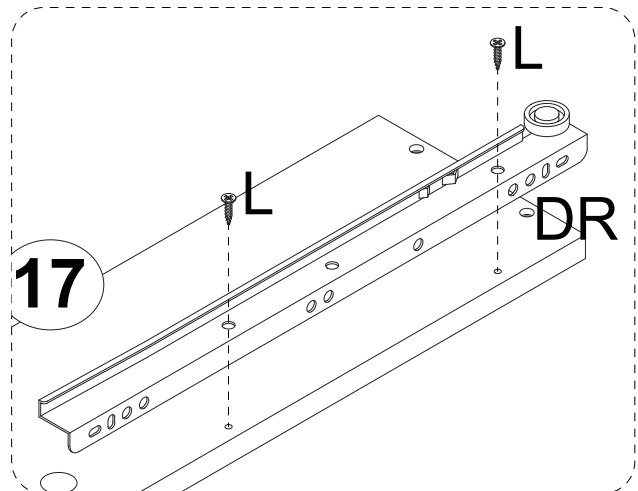
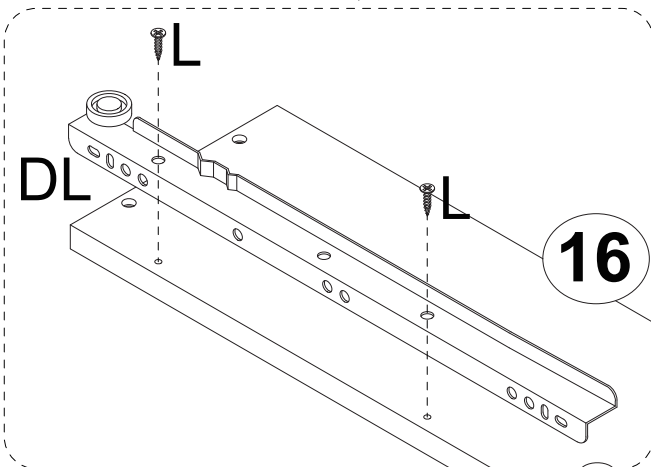
D	 M4*40mm	X2
O		X2



Step:18 X6

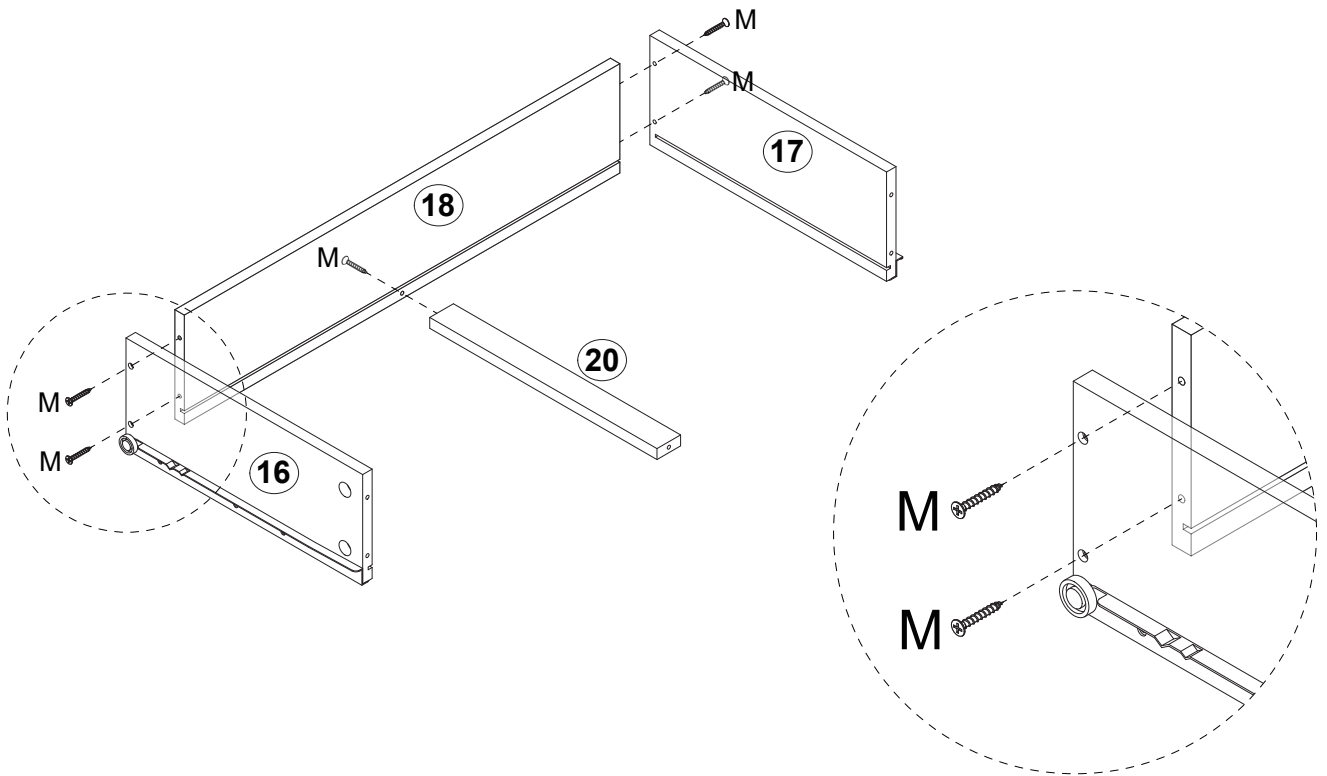


L	 M3*12mm	X24
DL 12"		X6
DR 12"		X6

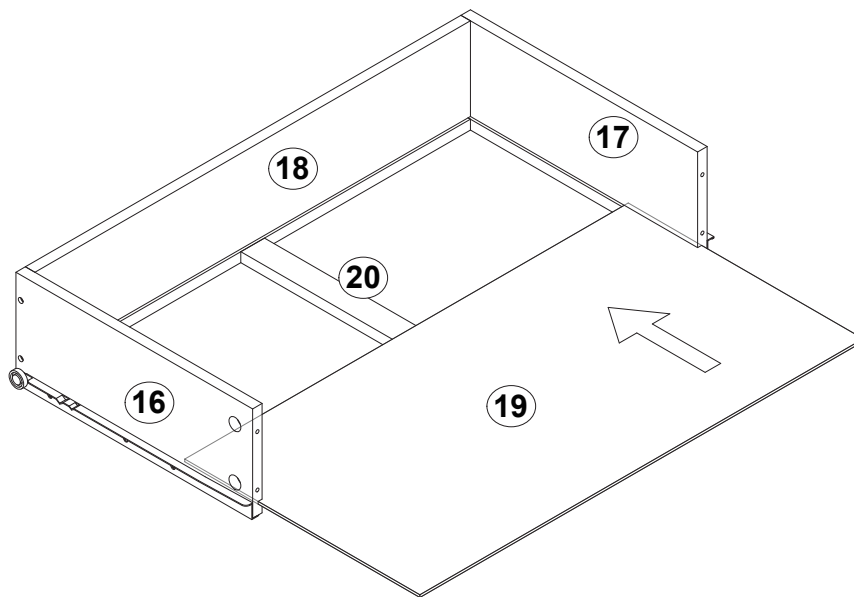


Step:19 X6


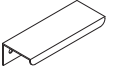

M	 M4*30mm	X30
---	--	-----

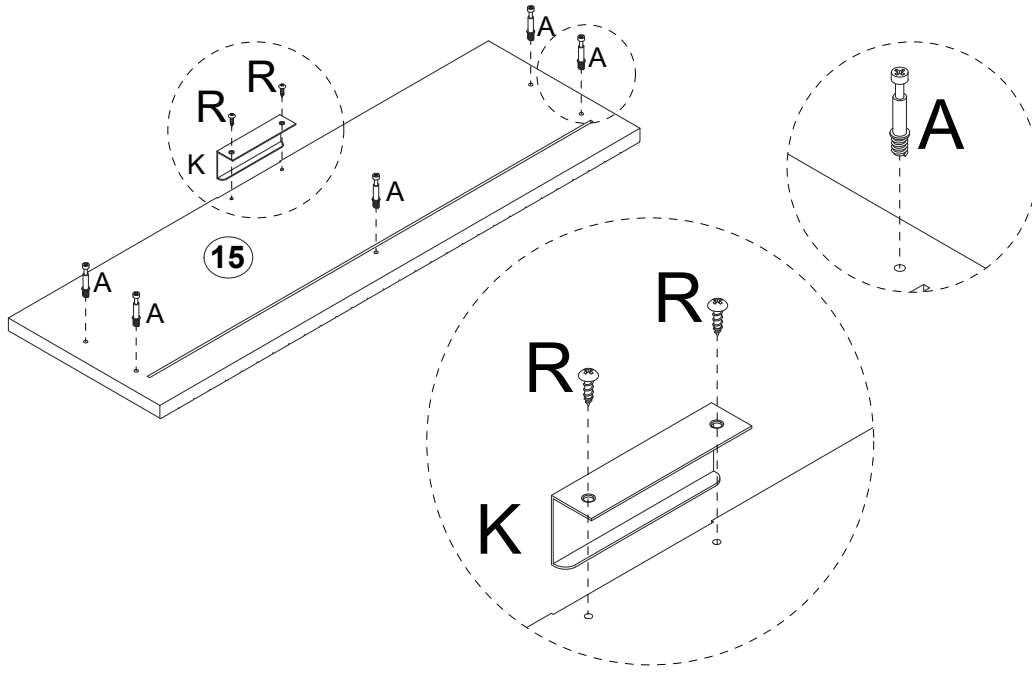


Step:20 X6





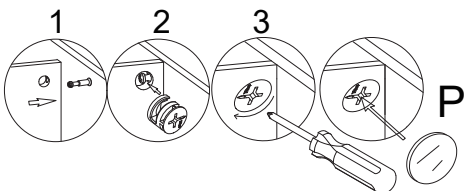
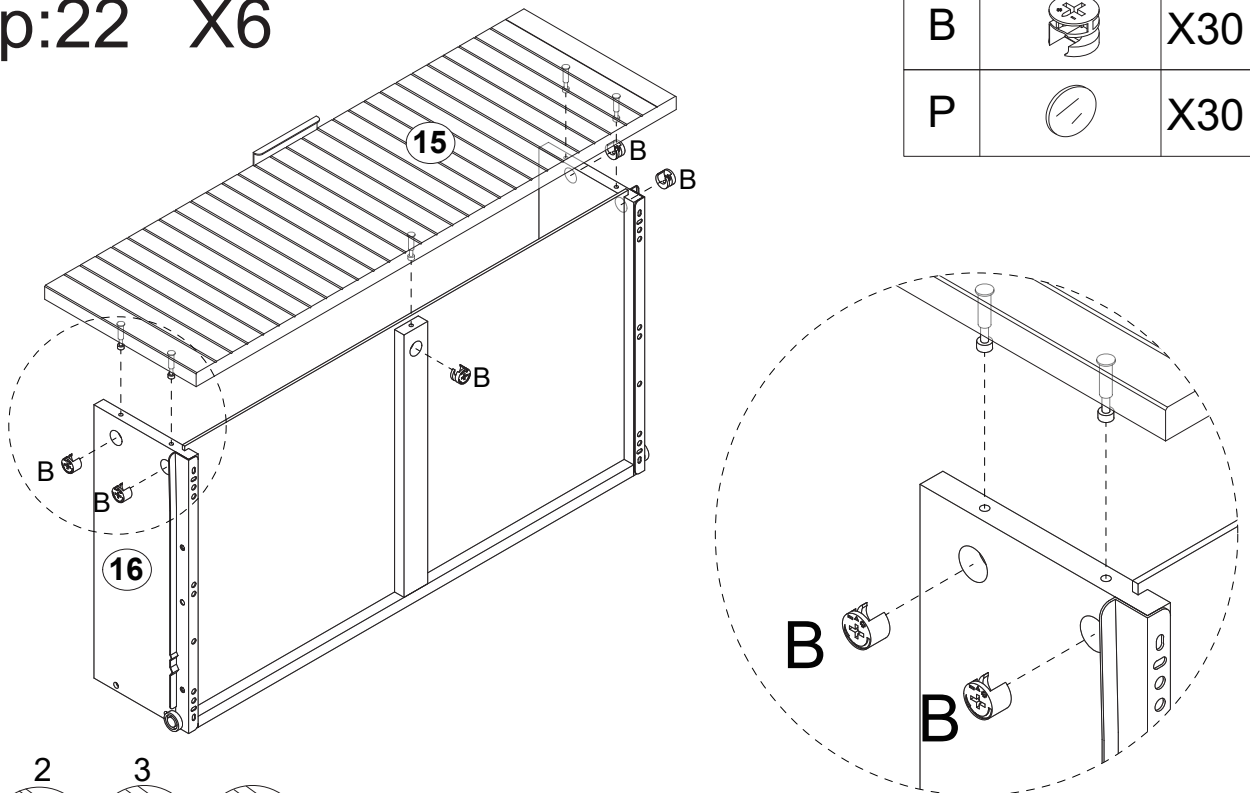
Step:21 X6

A		X30
K		X6
R	 M3*10mm	X12

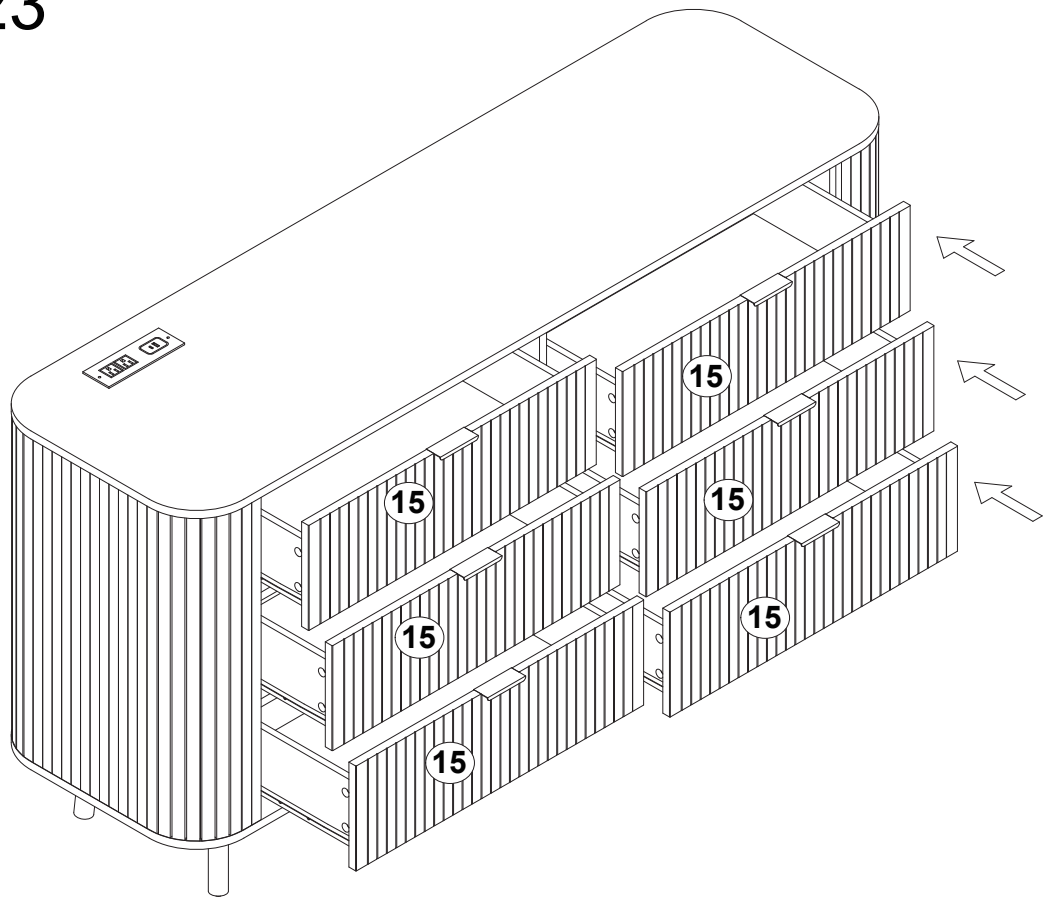


Step:22 X6

B		X30
P		X30



Step:23



Step:24

