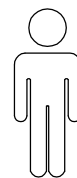
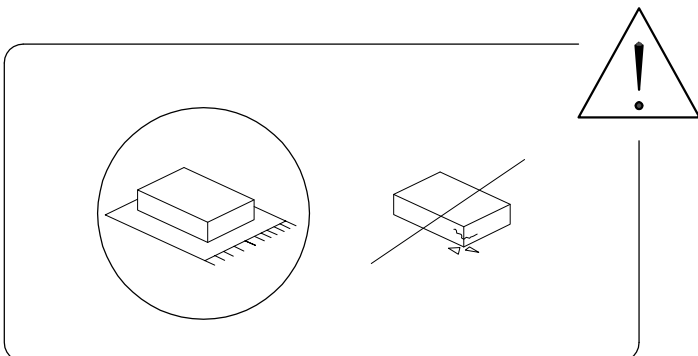
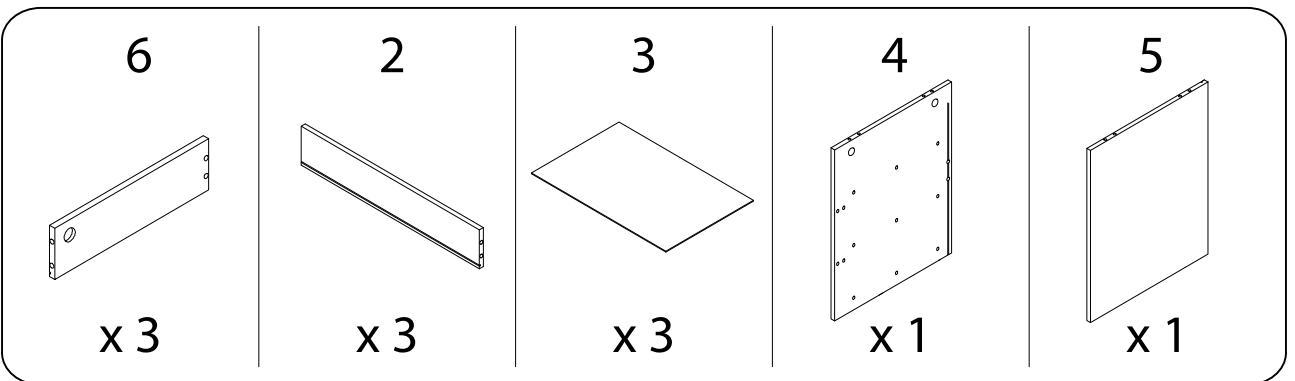
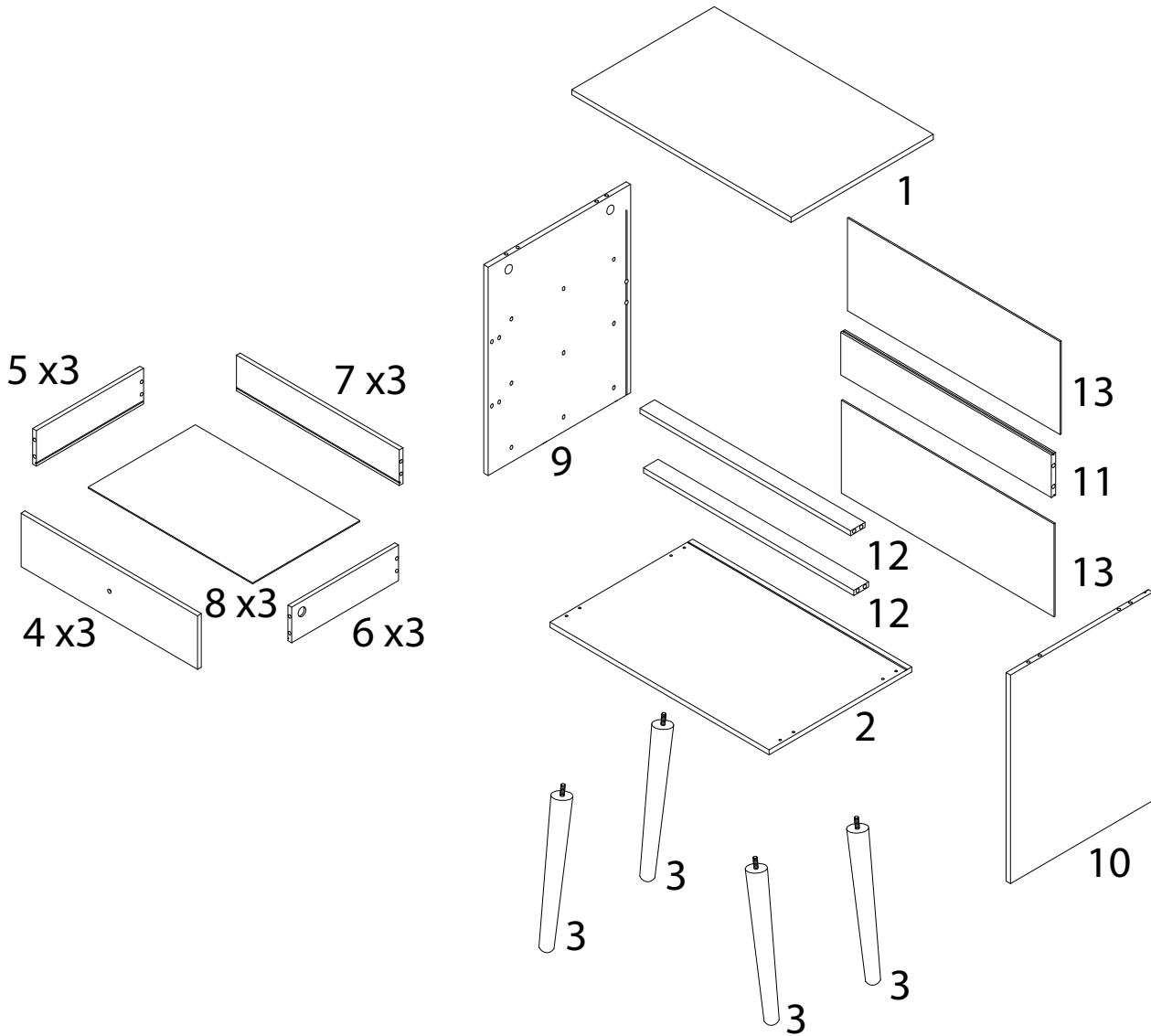
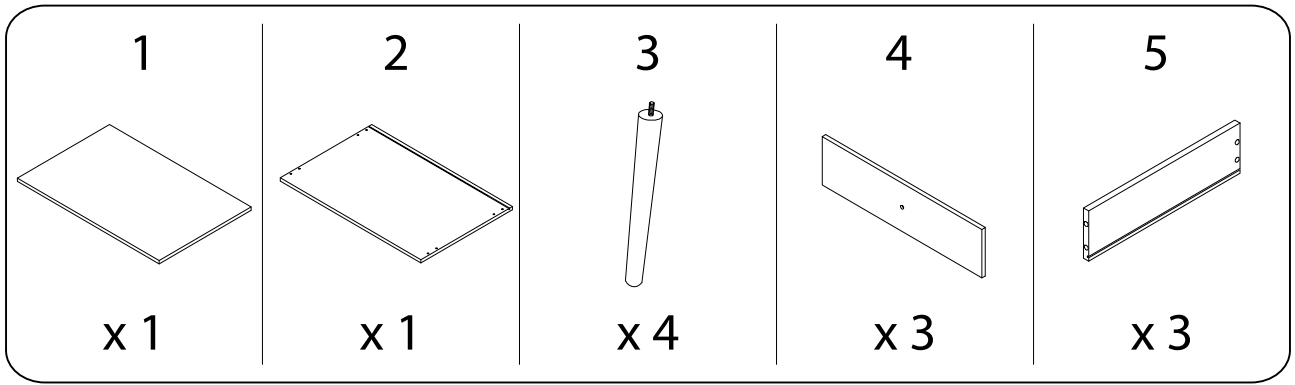
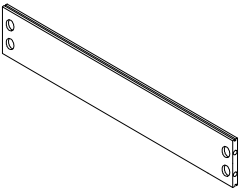
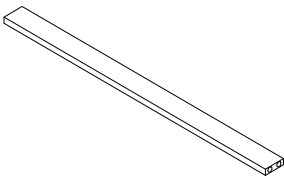
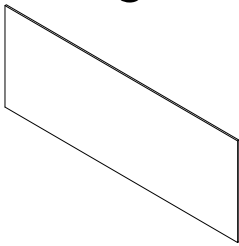
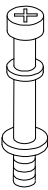
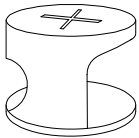
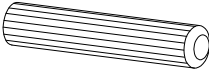

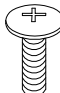
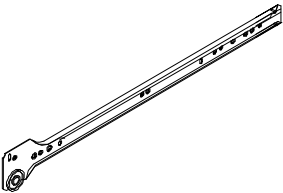
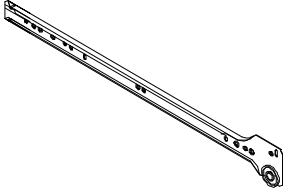
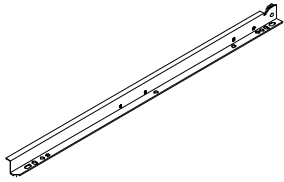
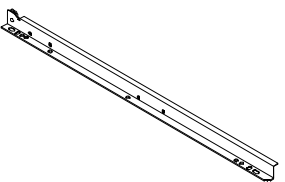
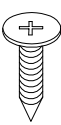
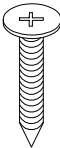
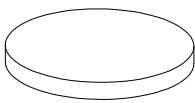
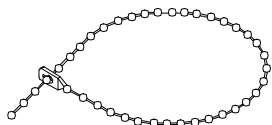
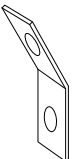
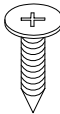
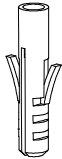
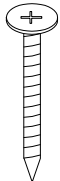


60'



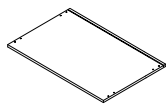
1



<p>1</p>  <p>x 1</p>	<p>2</p>  <p>x 2</p>	<p>3</p>  <p>x 2</p>	<p>A</p>  <p>x 14</p>
<p>B</p>  <p>x 14</p>	<p>C</p>  <p>x 22</p>	<p>D</p>  <p>x 3</p>	<p>E</p>  <p>M3.5 x 12</p> <p>x 3</p>
<p>F1</p>  <p>x 3</p>	<p>F2</p>  <p>x 3</p>	<p>F3</p>  <p>x 3</p>	<p>F4</p>  <p>x 3</p>
<p>G</p>  <p>M3 x 12</p> <p>x 30</p>	<p>H</p>  <p>M4 x 30</p> <p>x 4</p>	<p>I</p>  <p>x 4</p>	<p>J1</p>  <p>x 1</p>
<p>J2</p>  <p>x 2</p>	<p>J3</p>  <p>M4 x 10</p> <p>x 1</p>	<p>J4</p>  <p>x 1</p>	<p>J5</p>  <p>M4 x 40</p> <p>x 1</p>

1

2

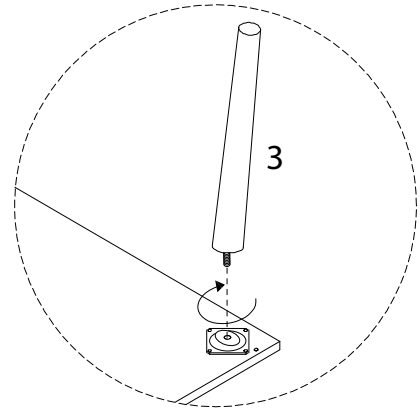
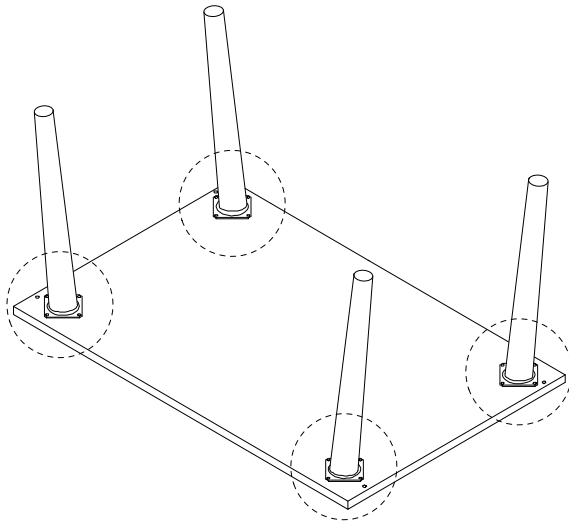


x 1

3



x 4

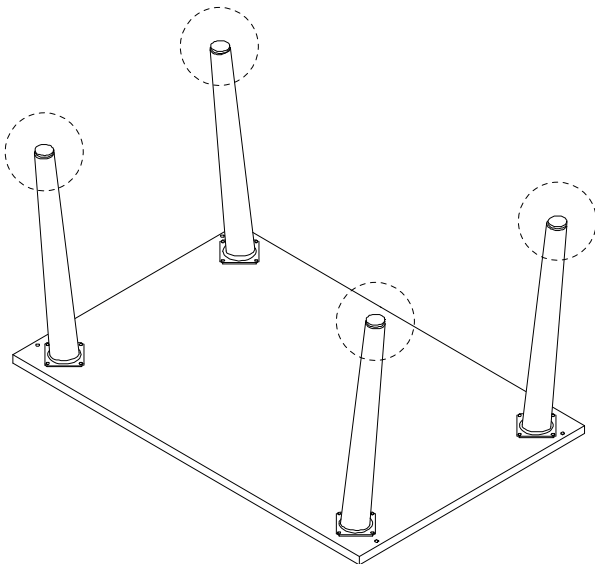


2

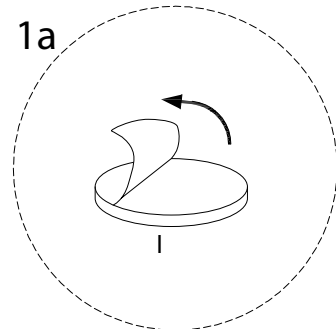
1



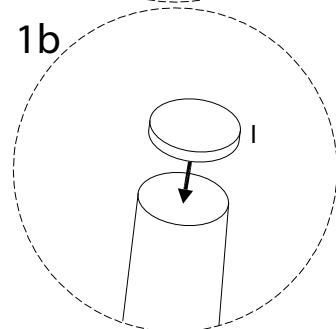
x 4



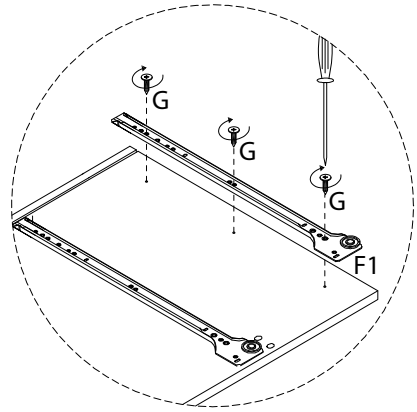
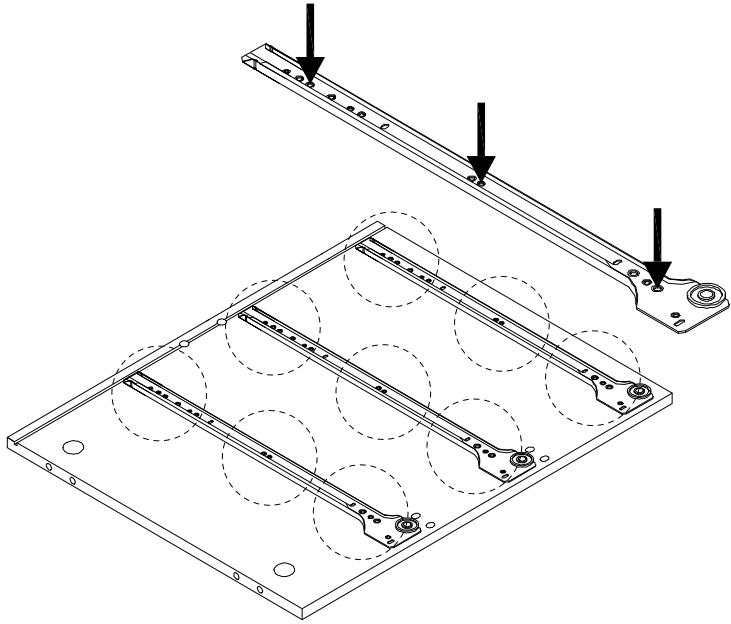
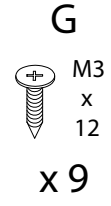
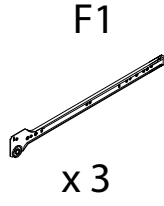
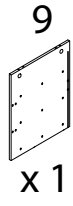
1a



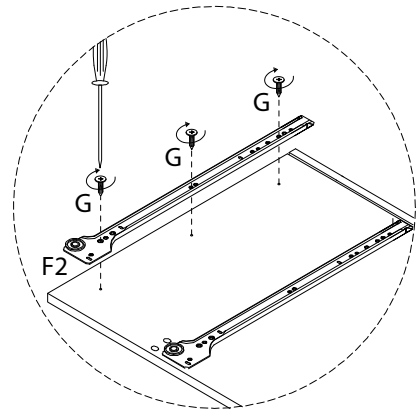
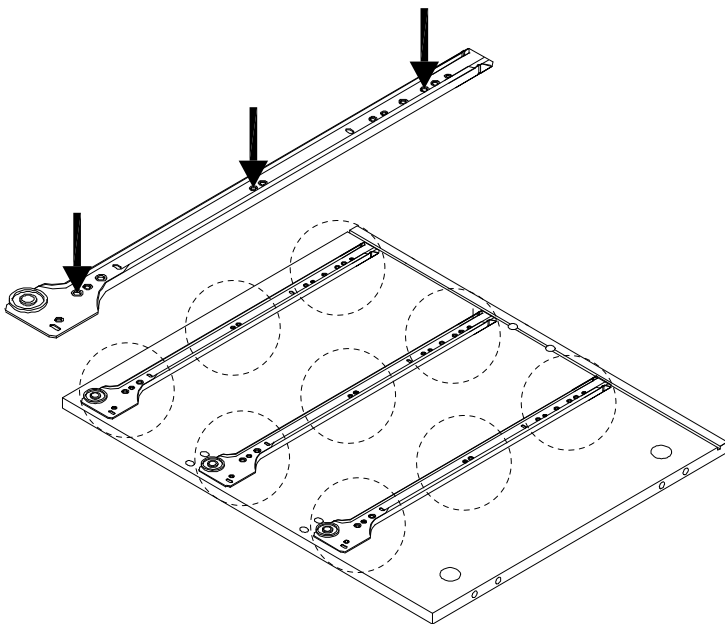
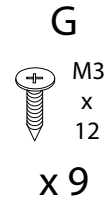
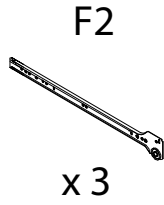
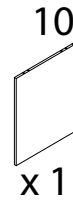
1b



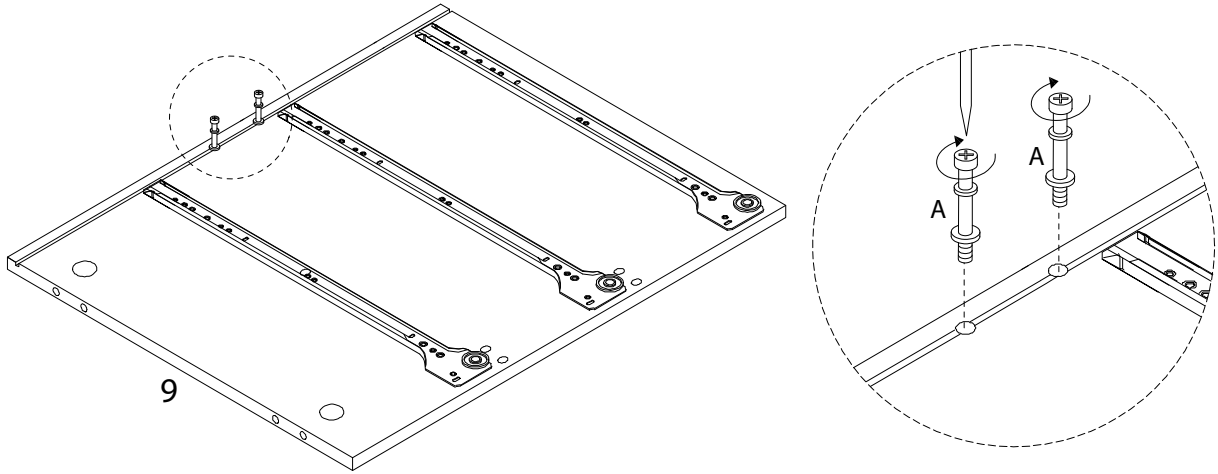
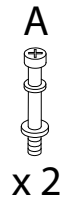
3



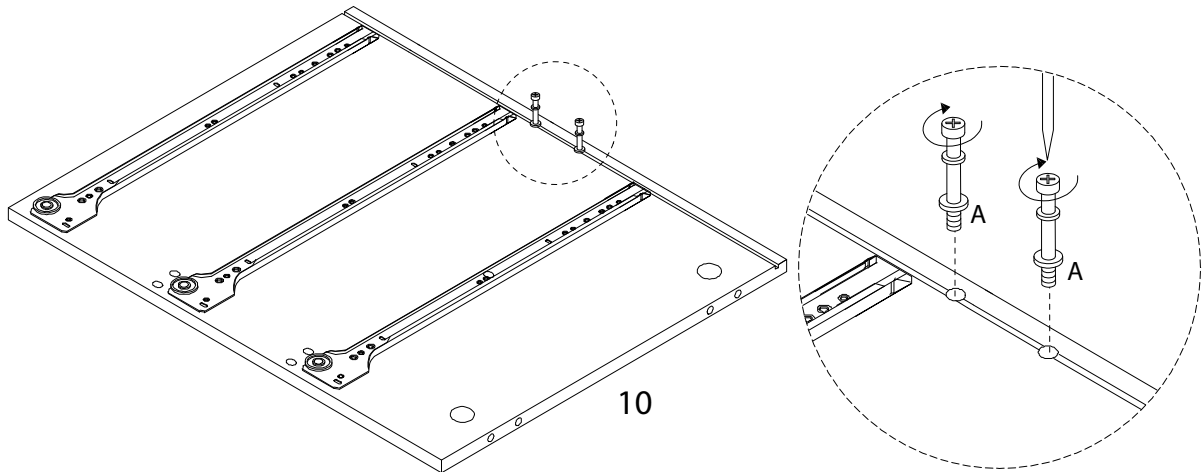
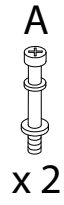
4



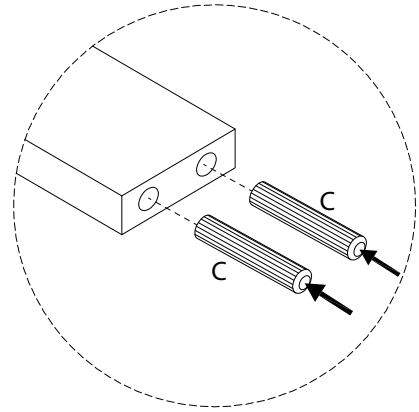
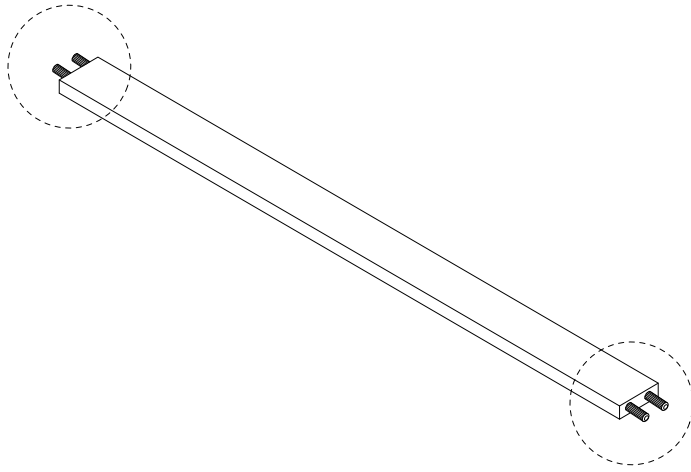
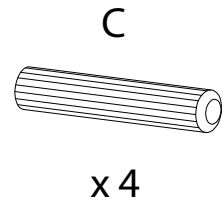
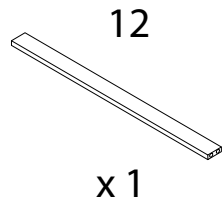
5



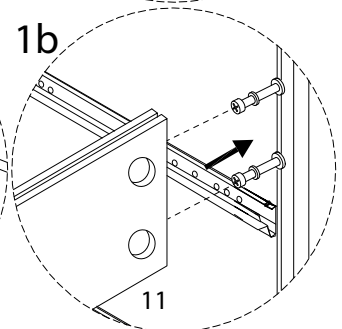
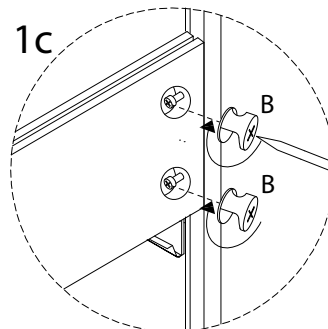
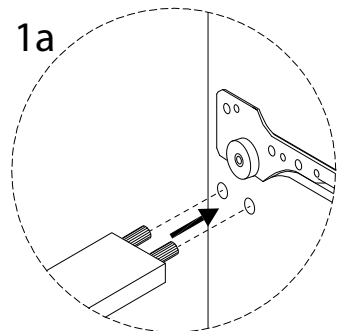
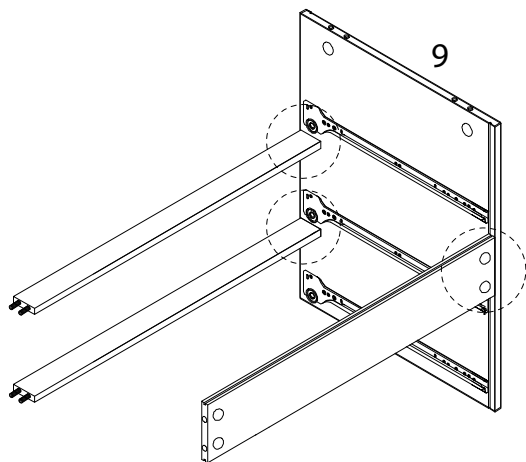
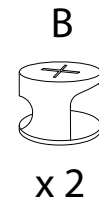
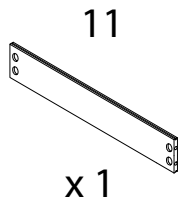
6



7 x 2



8

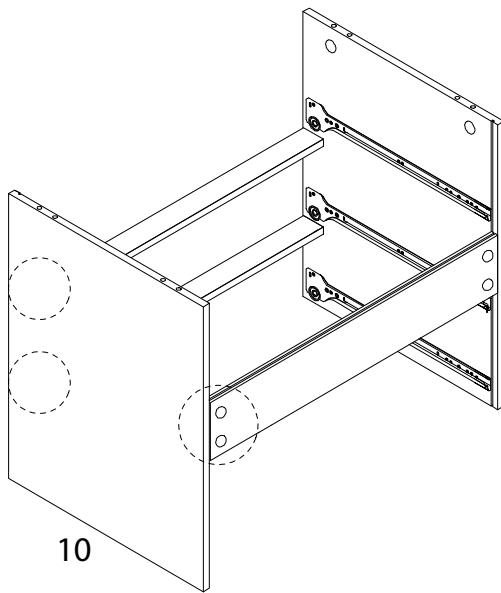


9

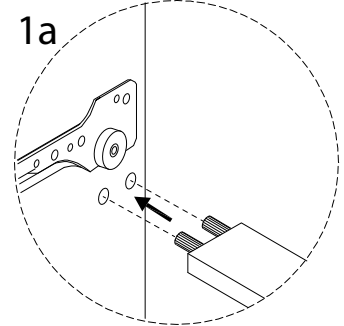
B



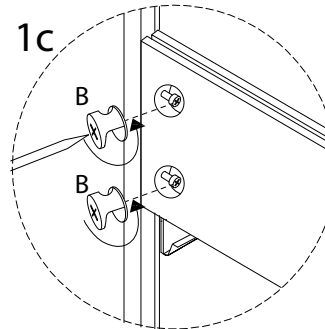
x 2



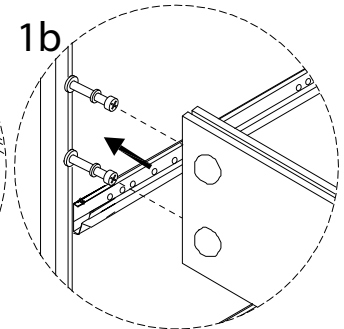
1a



1c



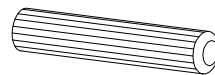
1b



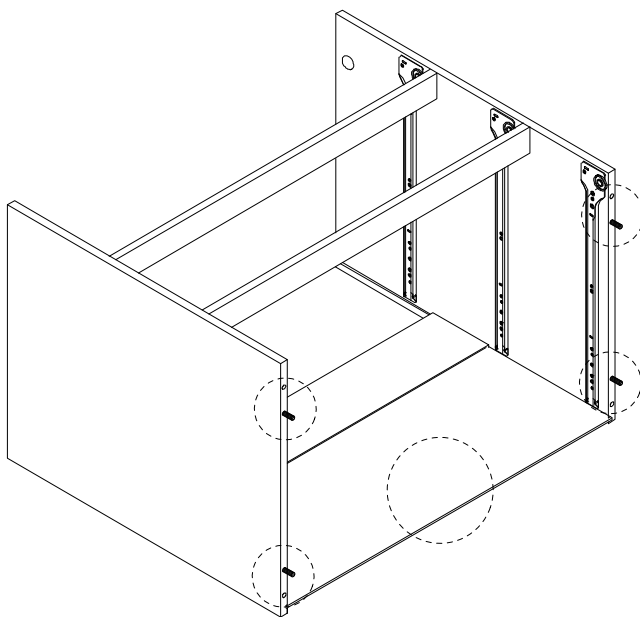
10

10

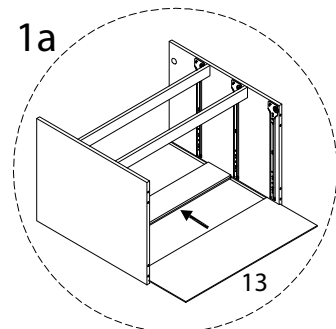
C



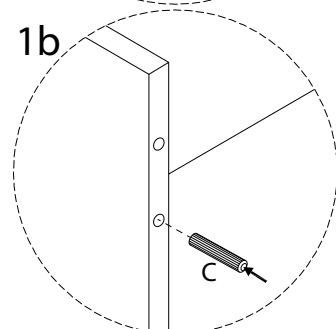
x 4



1a

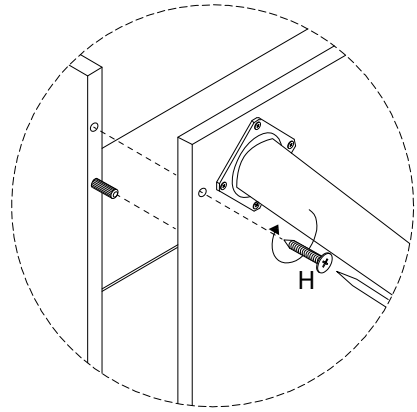
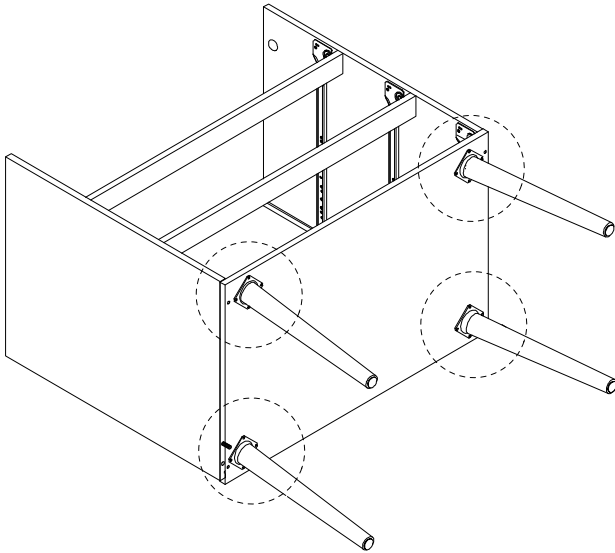


1b



11

H
M4
x
30
x 4

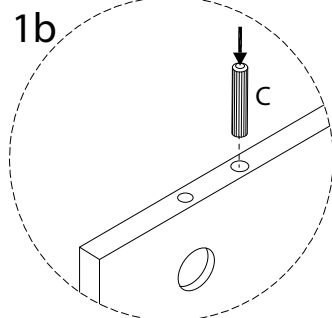
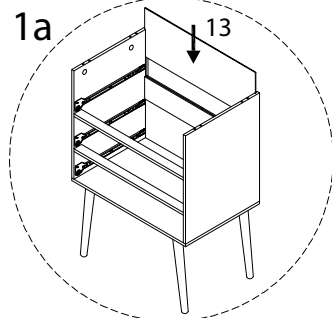
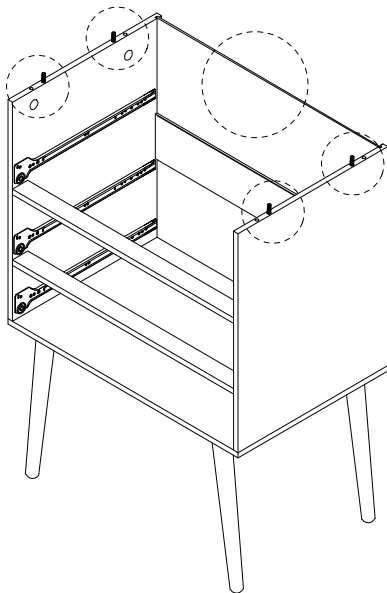


12

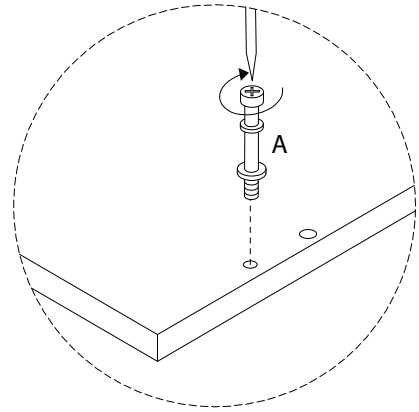
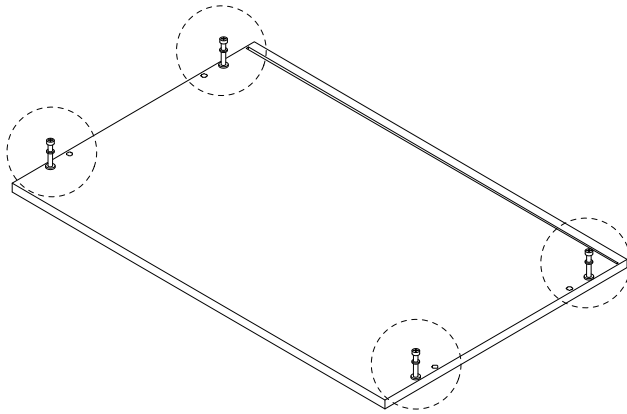
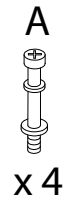
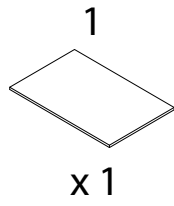
13
x 1

C

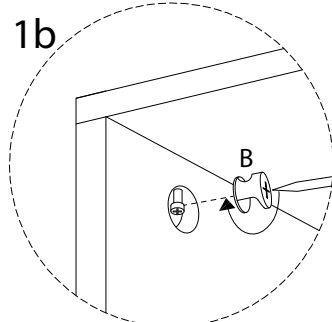
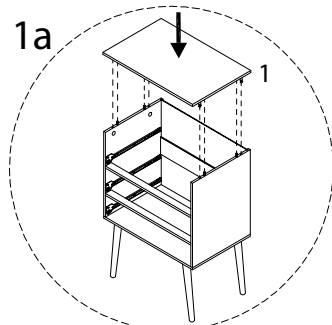
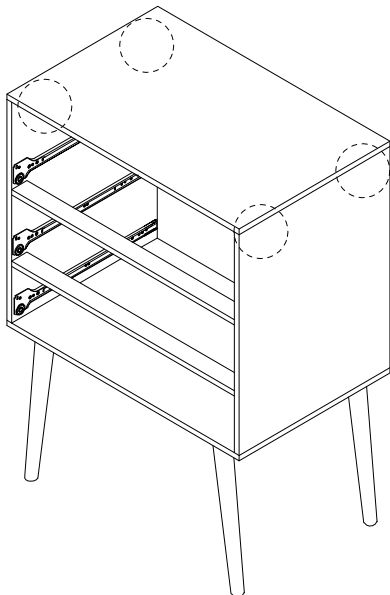
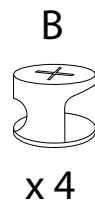
x 4



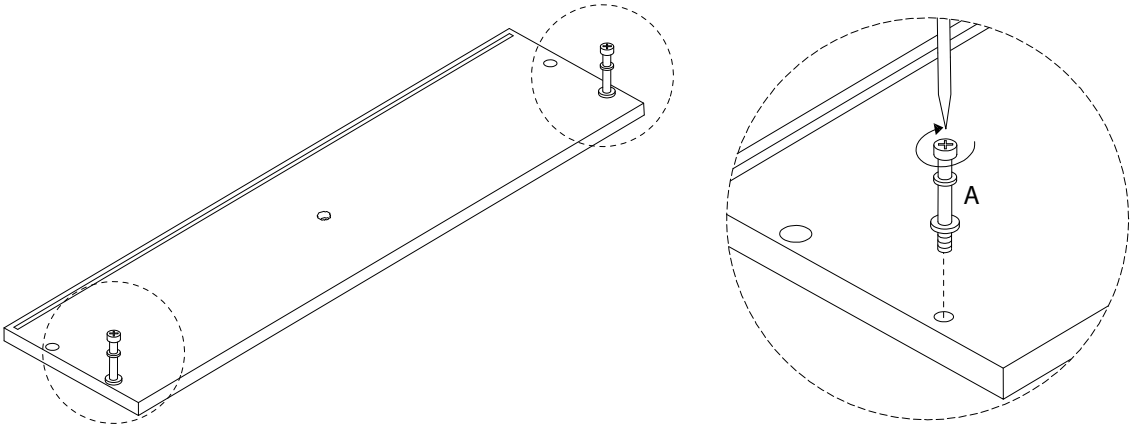
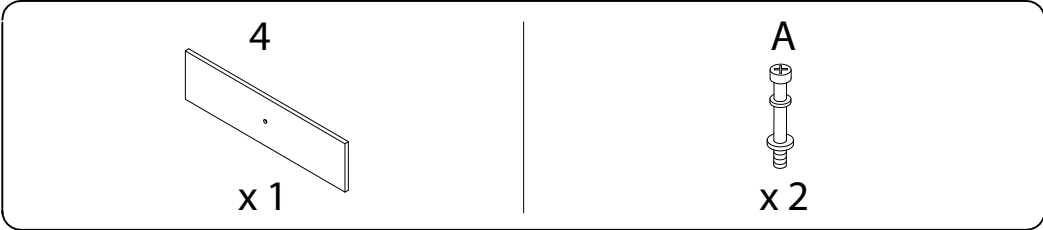
13



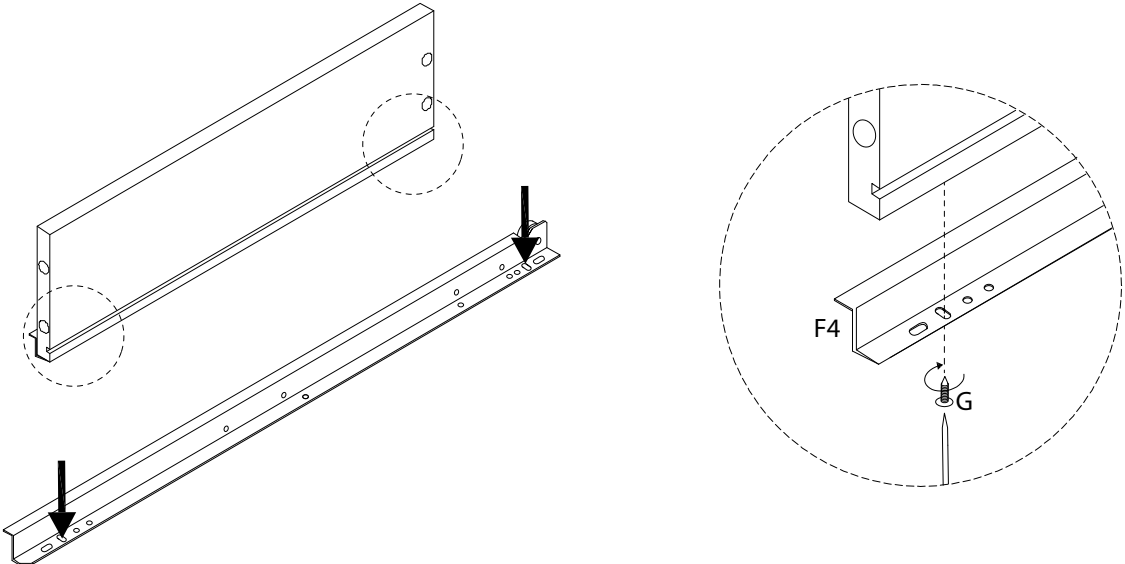
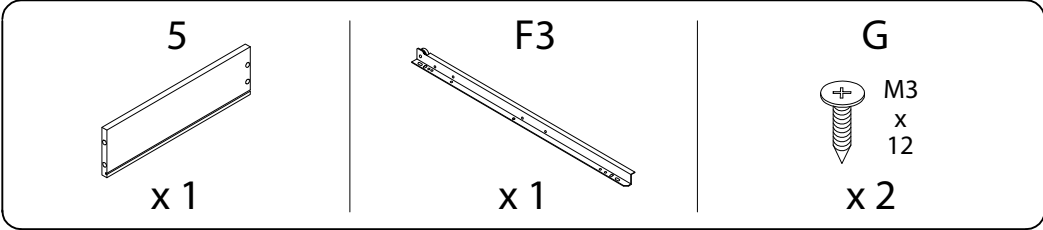
14



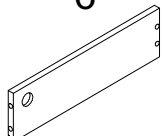
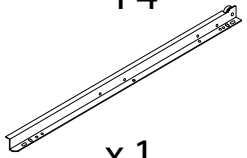
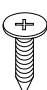
15 x3

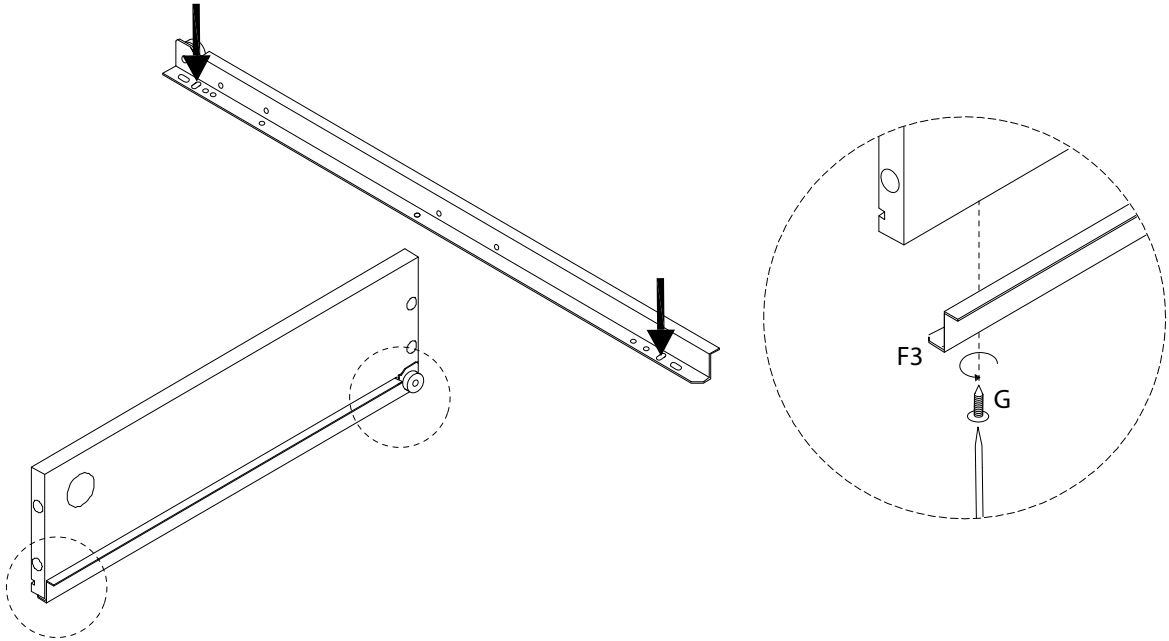


16 x3

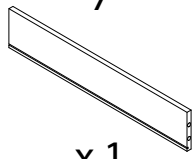
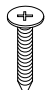


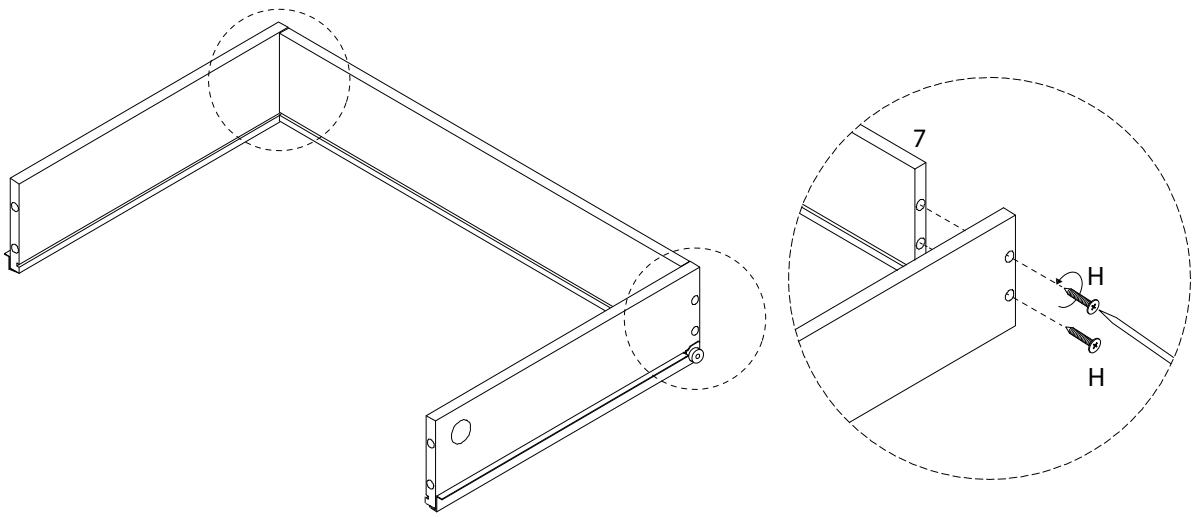
17 x3

6  x1	F4  x1	G  M3 x 12 x2
---	---	---

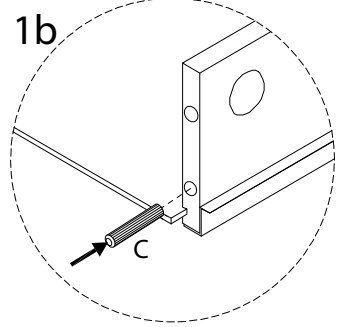
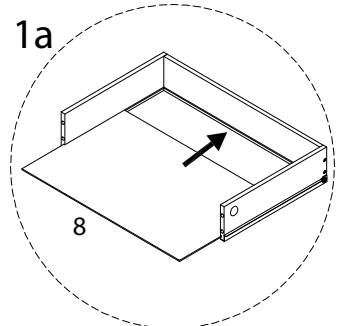
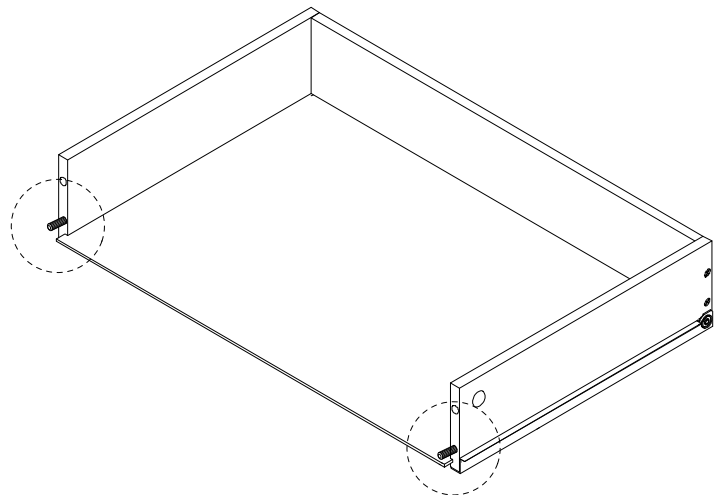
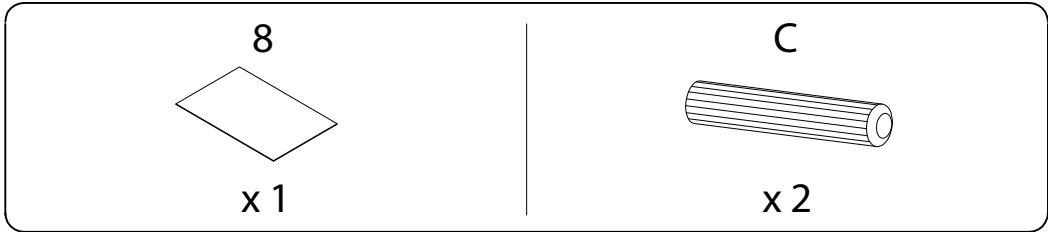


18 x3

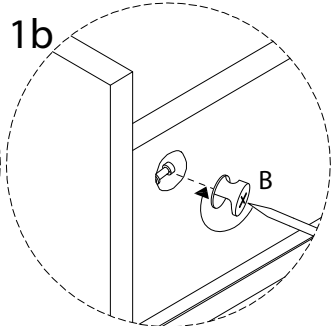
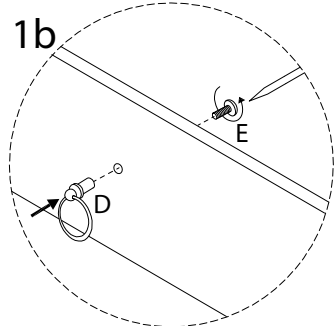
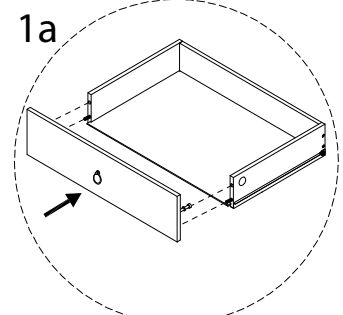
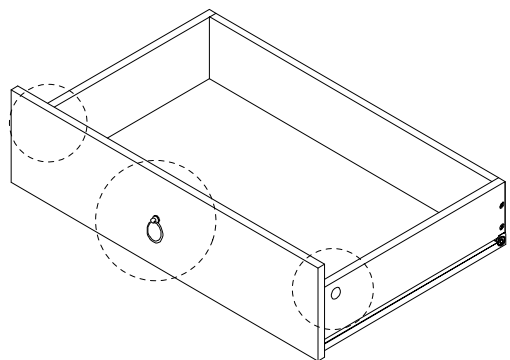
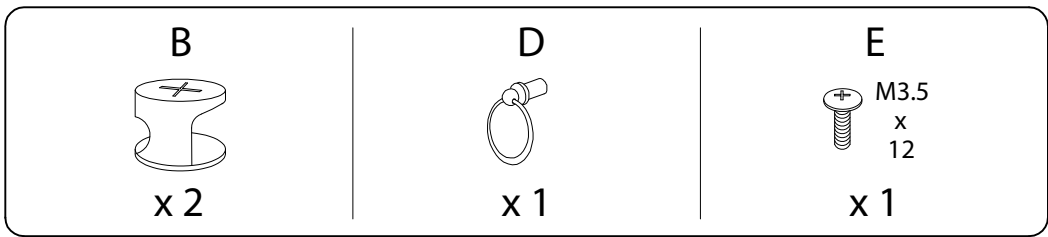
7  x1	H  M4 x 30 x4
---	---



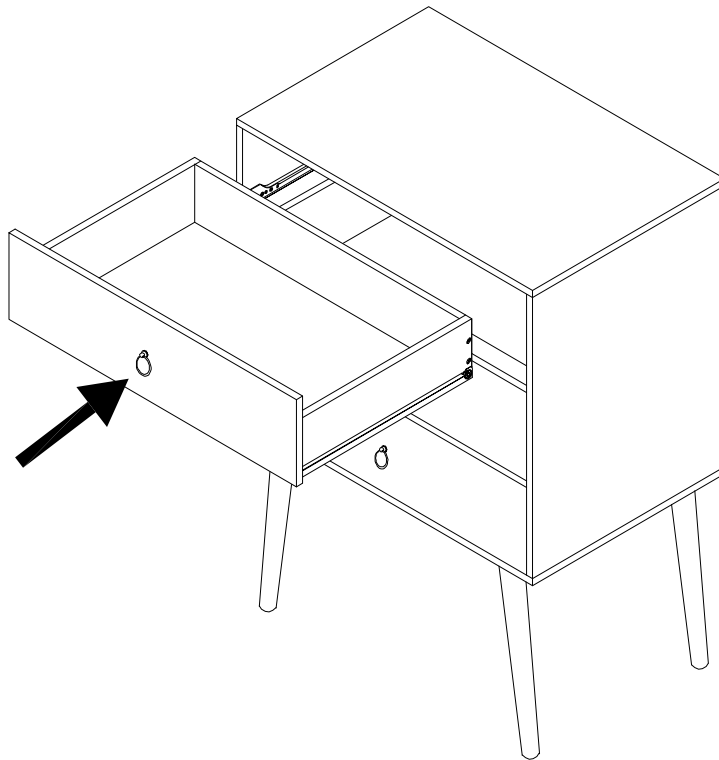
19 x3



20 x3



21



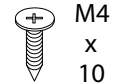
22

J2

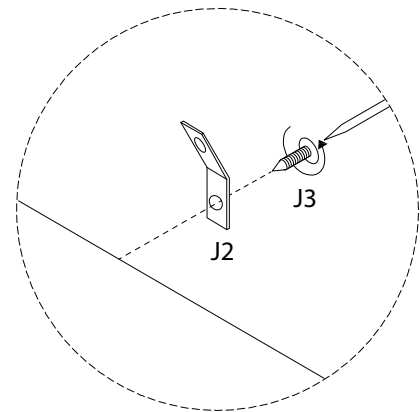
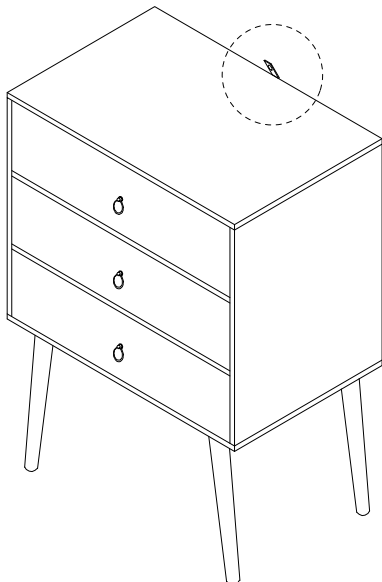


x 1

J3



x 1



23

J2



x 1

J4



x 1

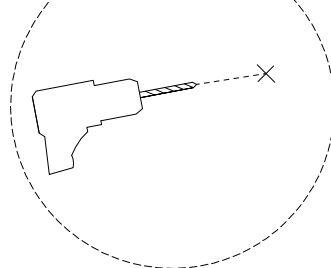
J5



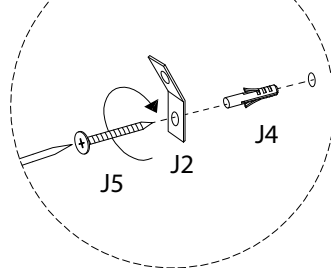
x 1



1a



1b



24

J1



x 1

