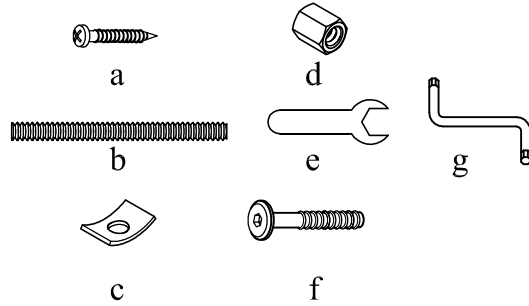


Assembly Instruction

A . Components :

- 1. Headboard 1 x
- 2. Leg Headboard 2 x
- 3. Footboard 1 x
- 4. Leg Footboard 2 x
- 5. Bed Rail 2 x
- 6. Slat 12 x
- 7. Center Rail 1 x
- 8. Slat Support 4 x



B . Hardware :

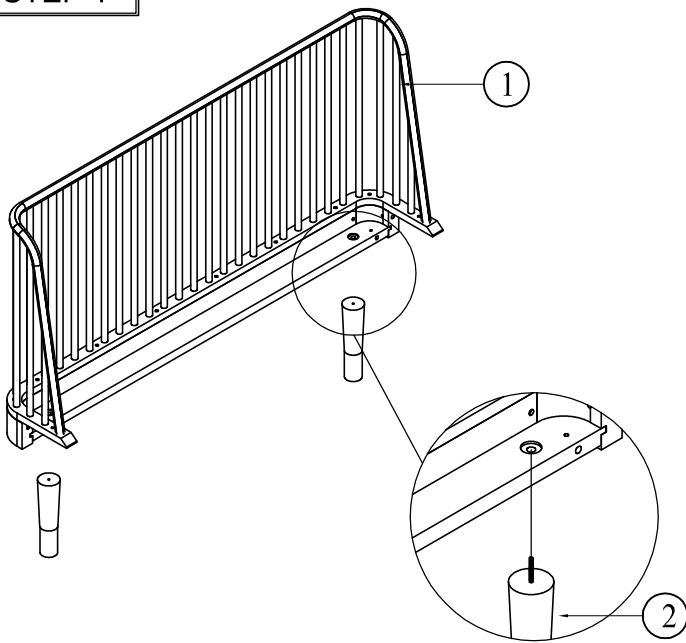
- a. Screw 8 x
- b. Stud Bolt 8 x
- c. Square Washer 8 x
- d. Hex Nut 8 x
- e. Wrench 1 x
- f. Allen Bolt 2 x
- g. Allen Key 1 x

C . Tool Required :

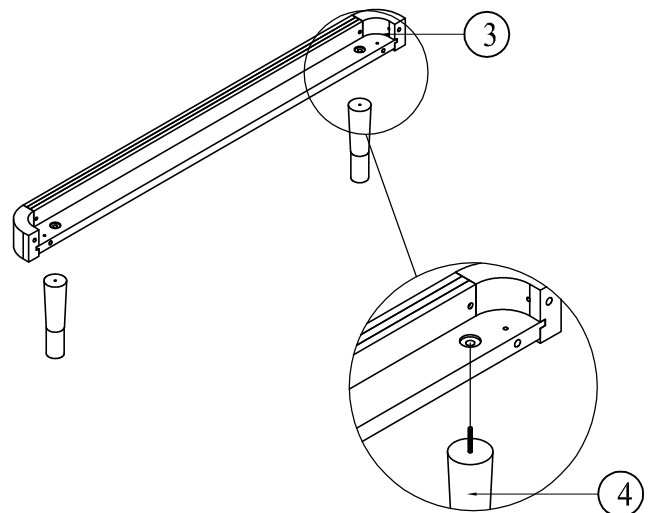
- 1. Screw Driver = (not included)



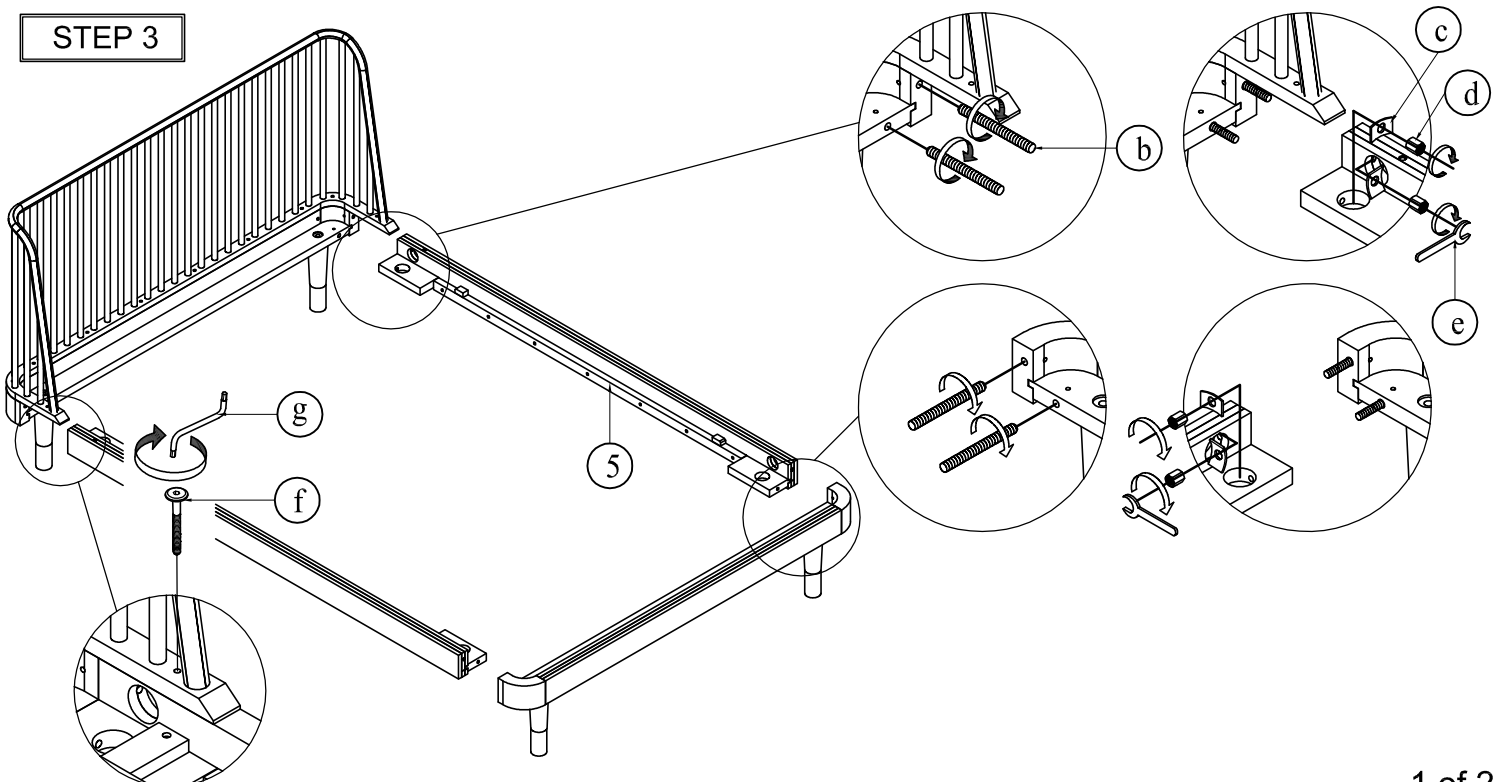
STEP 1



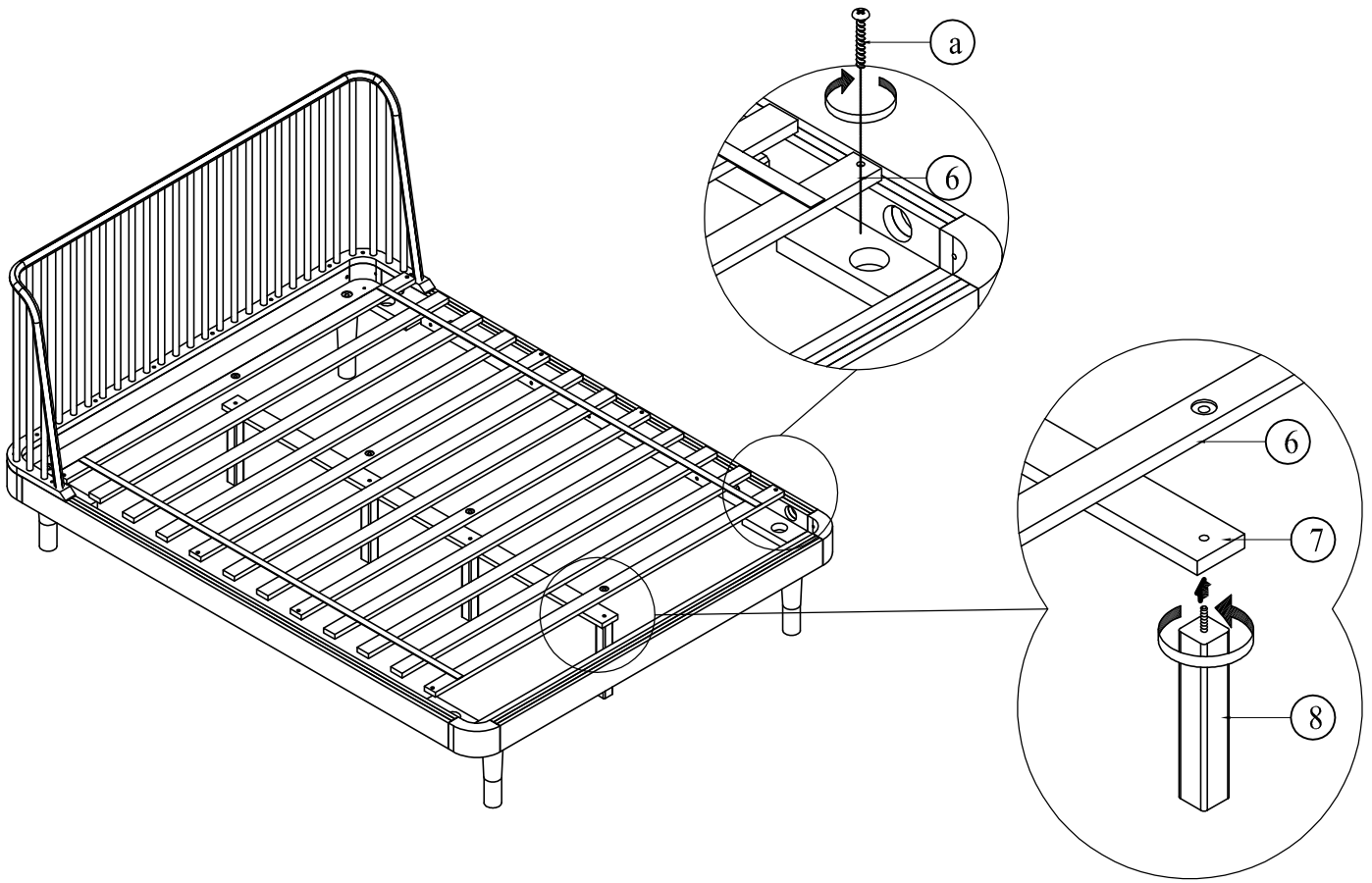
STEP 2



STEP 3



STEP 4



STEP 5

