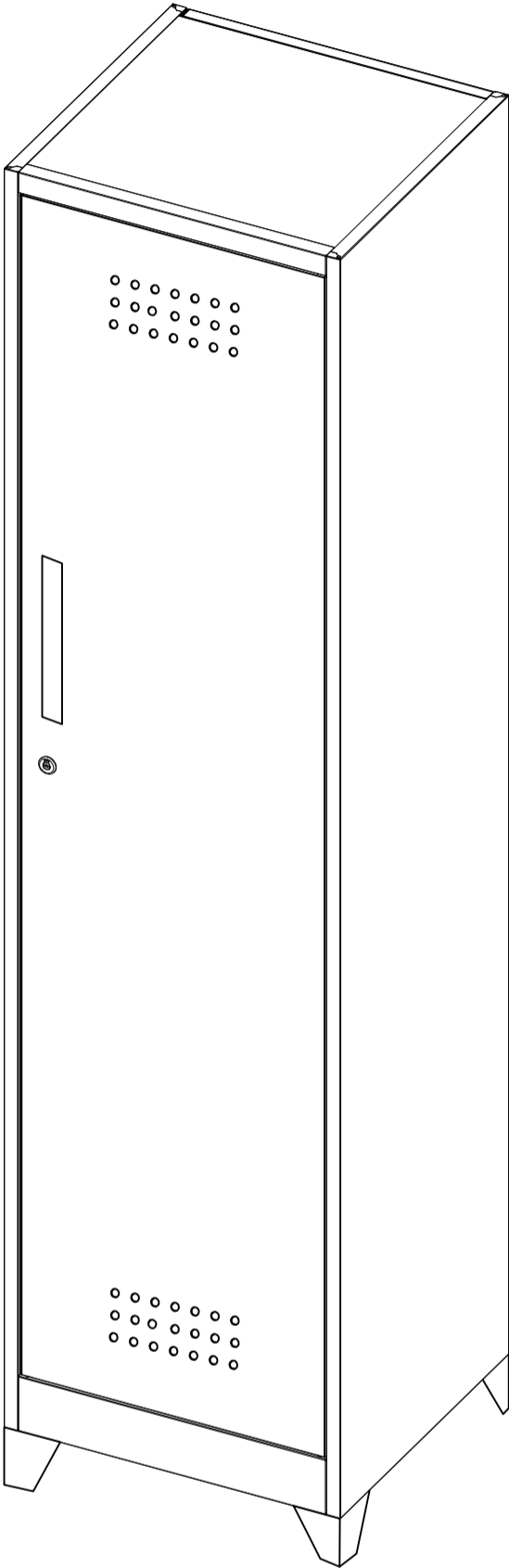


Thanks for choosing our goods. Before Install the goods must read carefully on our install manual or check our install video on our shop. If still have install problem or other things can contact our after-sales team



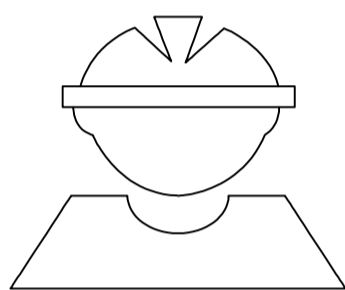
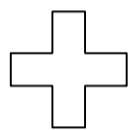
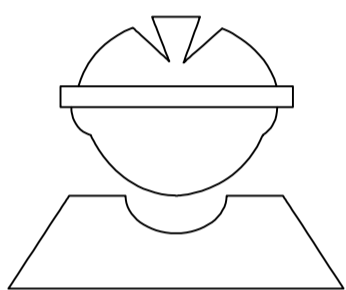
Please scan the QR code to check the assemble video

Before you start, here are a few quick pointers:

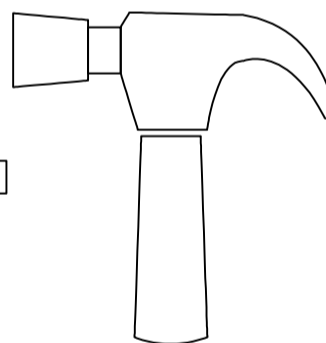
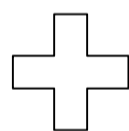
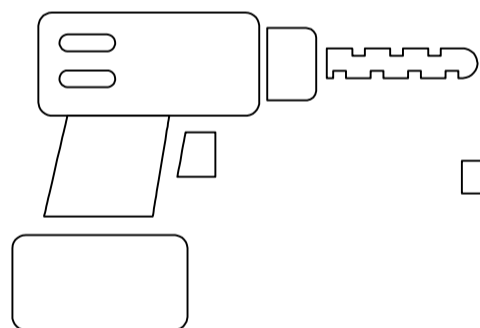
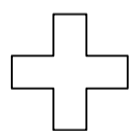
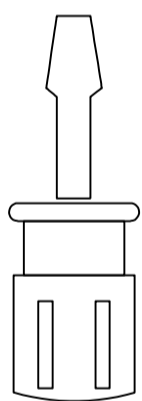
The installation requires two people. so call a friend to join the fun!

For more stability, it's best to anchor the cabinet to the wall.

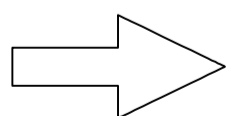
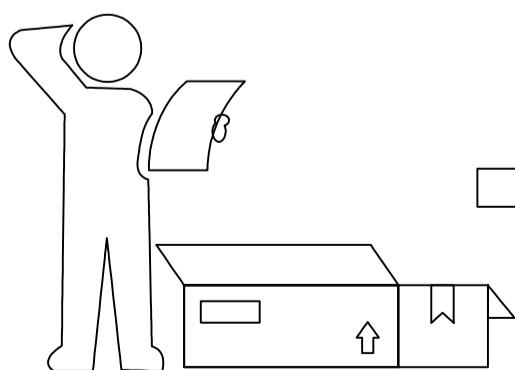
In this case, along with the items provided you will also need a Level, Percussion Drill and a Hammer



SUGGEST
2 PEOPLE



TOOLS
REQUIRED



| | |
|----------------------------|----------------------|
| E-mail | <input type="text"/> |
| TEL | <input type="text"/> |
| CONTACT US | |

WE ARE
GLAD TO
HELP

THANK YOU FOR CHOOSING US!

Your new Broom Cabinet has arrived and it will make your life so much easier. That's why we put so much effort into designing it to perfectly fit your needs.

But first things first, we need to install it!

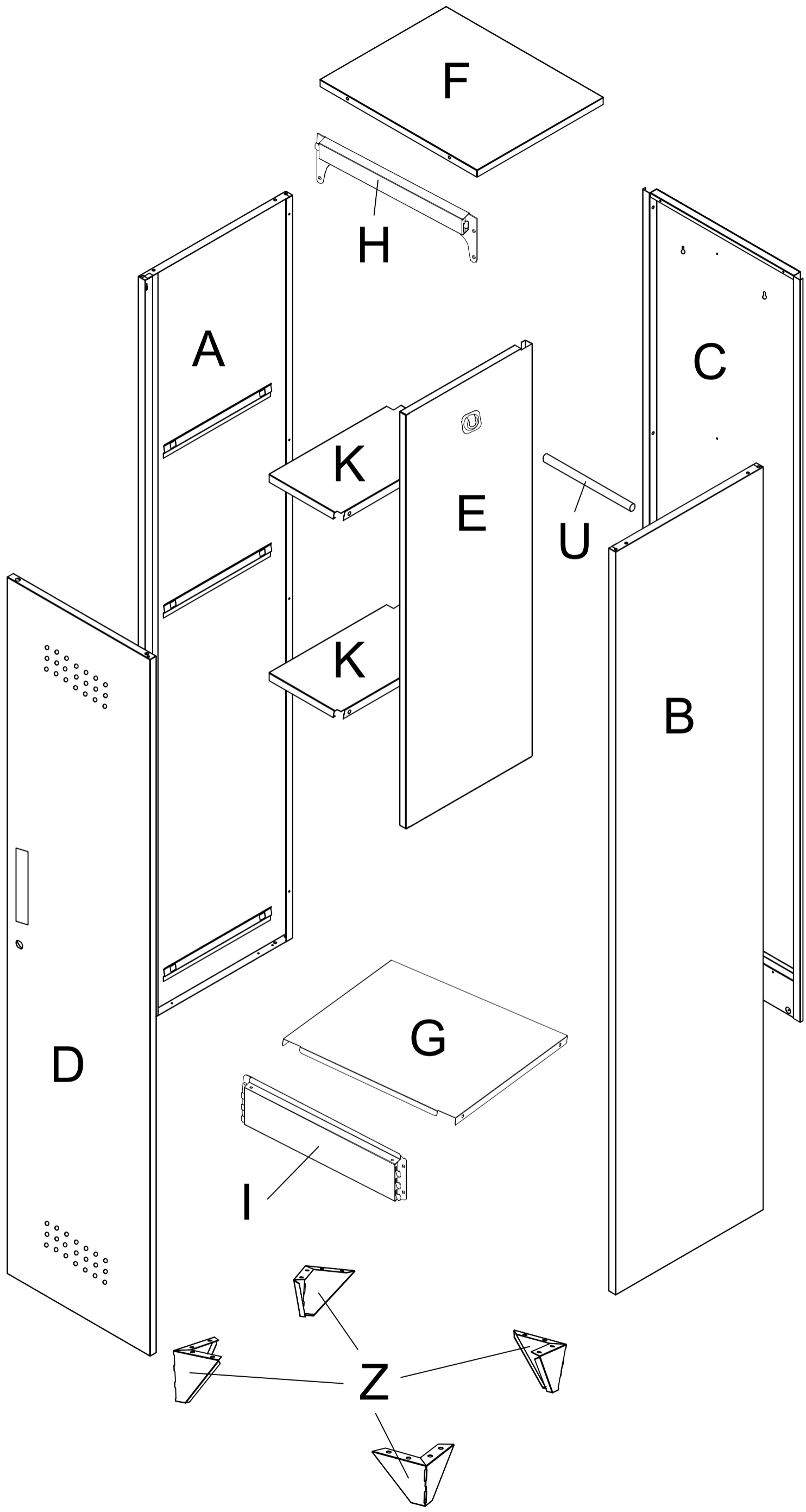
When we say we, we mean we're going to guide you, step by step. We created this instructions manual so that you won't feel overwhelmed and get your new Broom Cabinet up and ready to use in no time! We also know that if sometimes things just don't seem to fit, so don't hesitate to drop us a line at support@greatmeetcabinet.com if you have questions or need help!

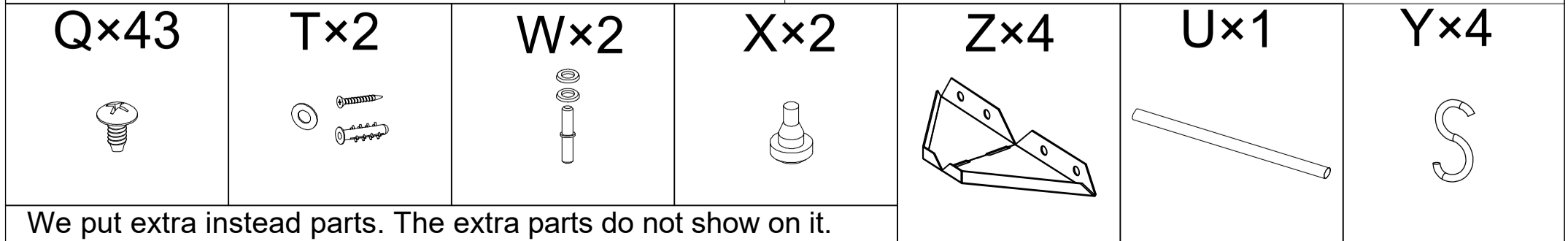
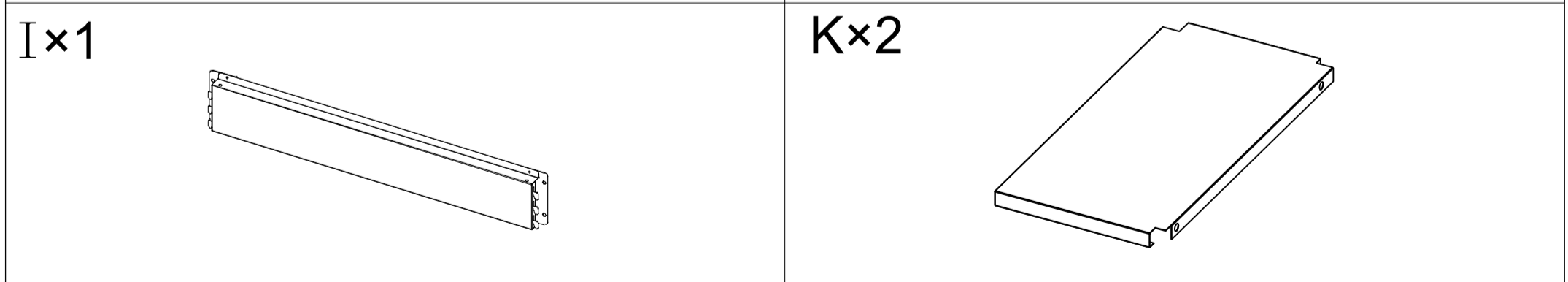
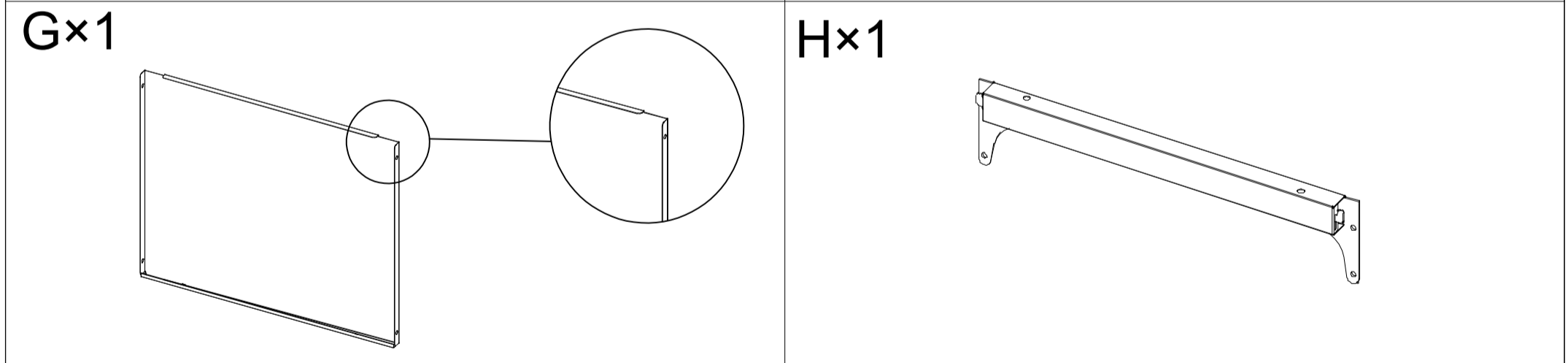
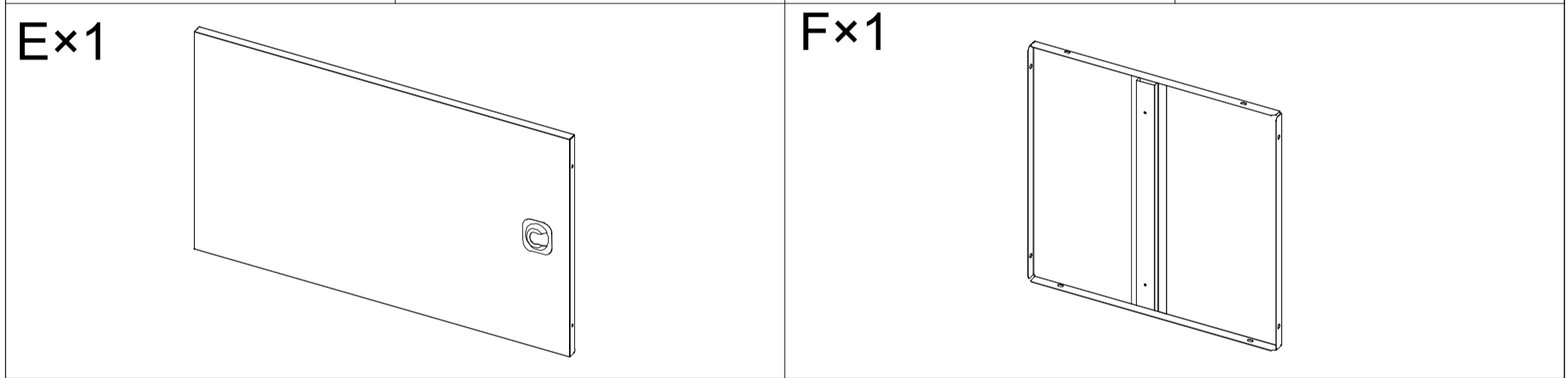
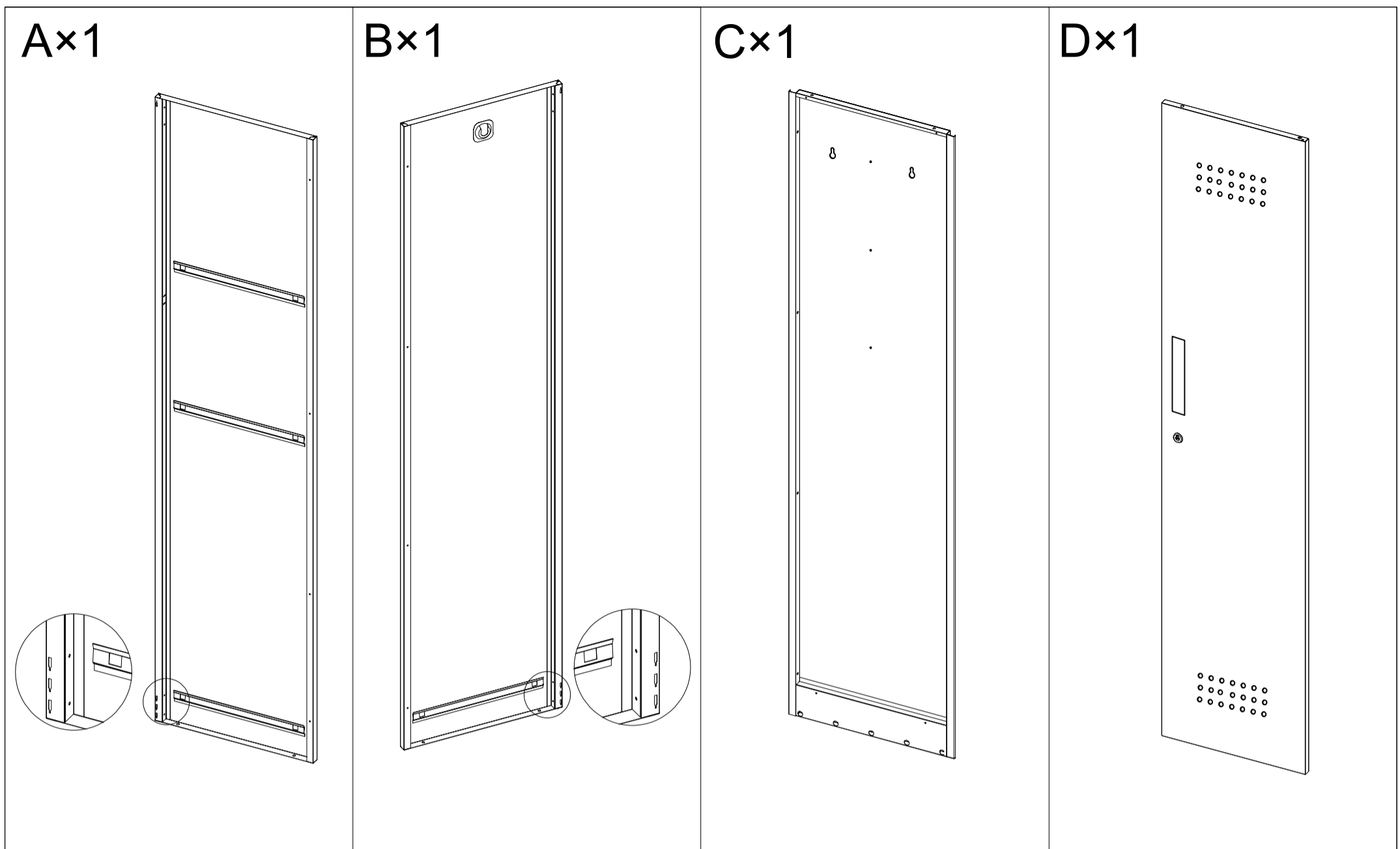
Anyway, this Broom Cabinet can't wait to be put into use, so let's assemble it!

MISSING A PART?

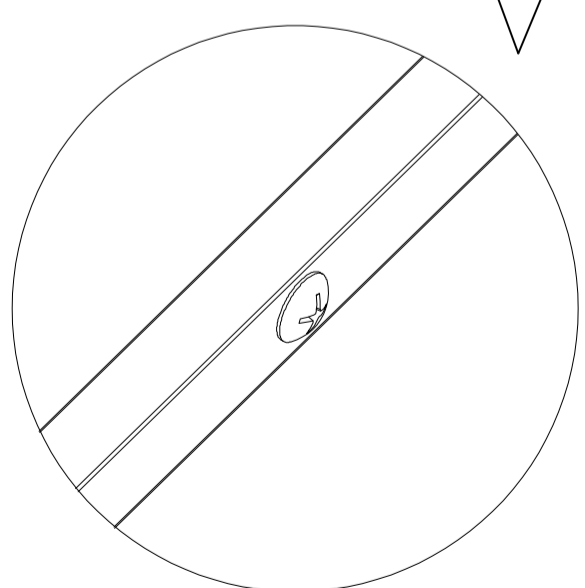
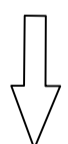
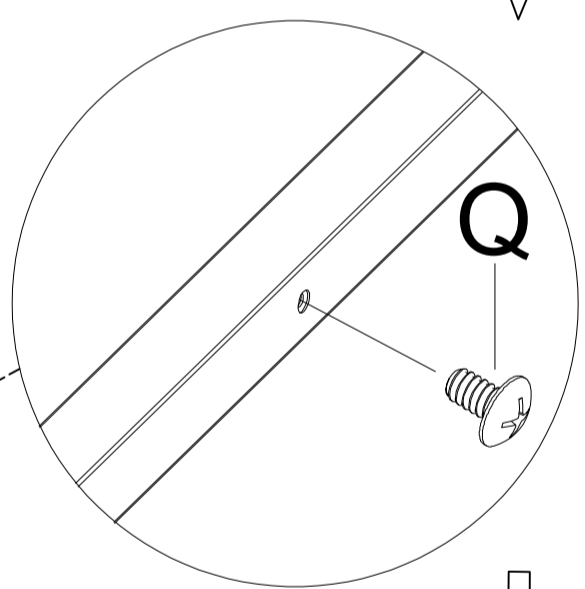
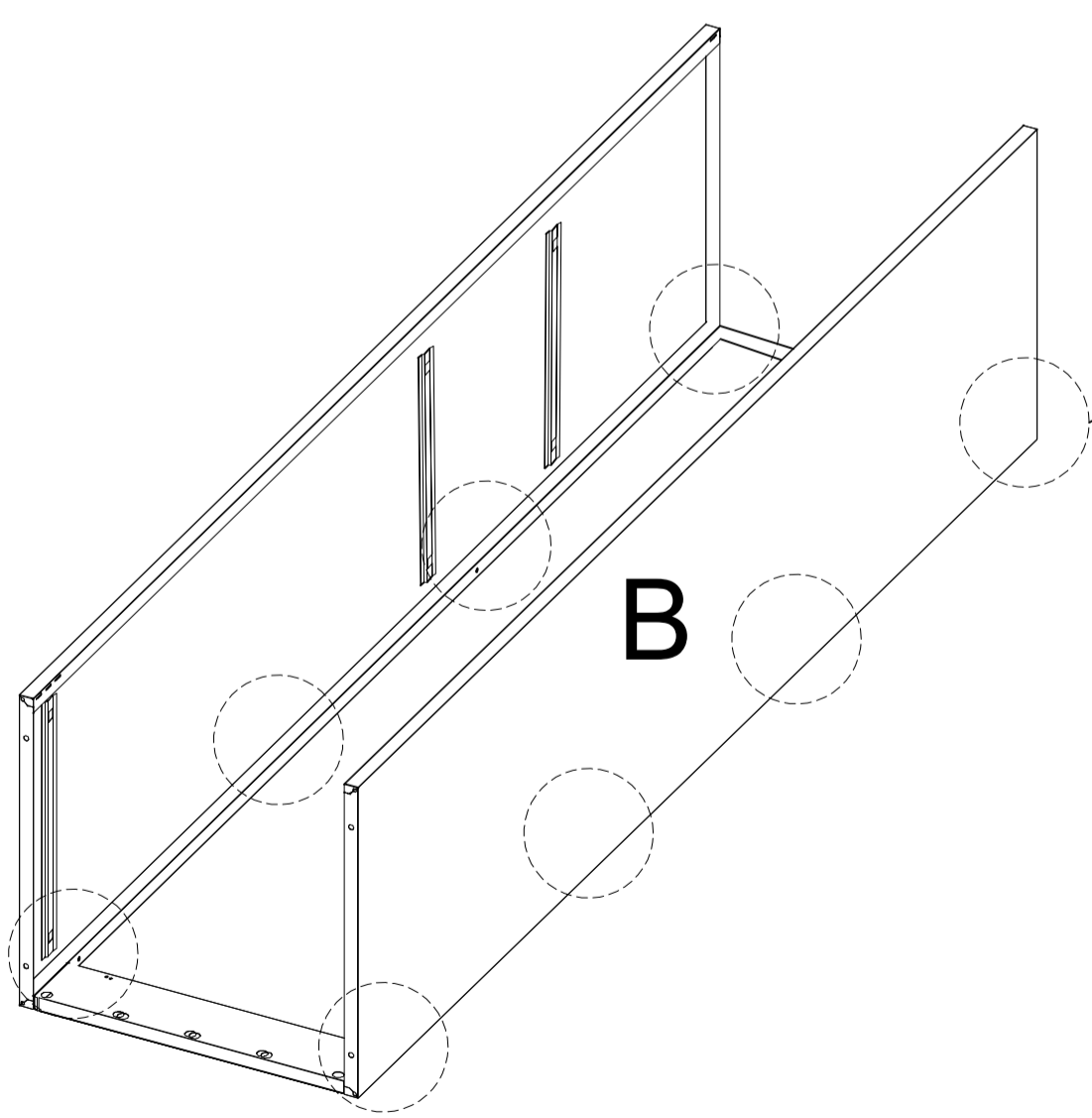
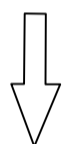
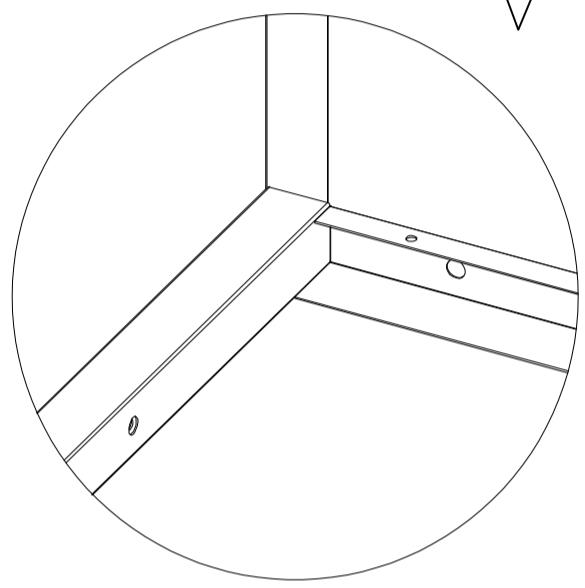
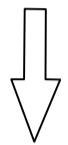
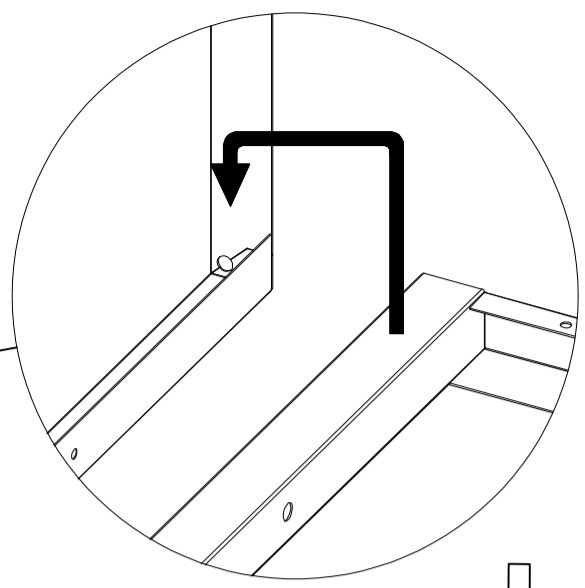
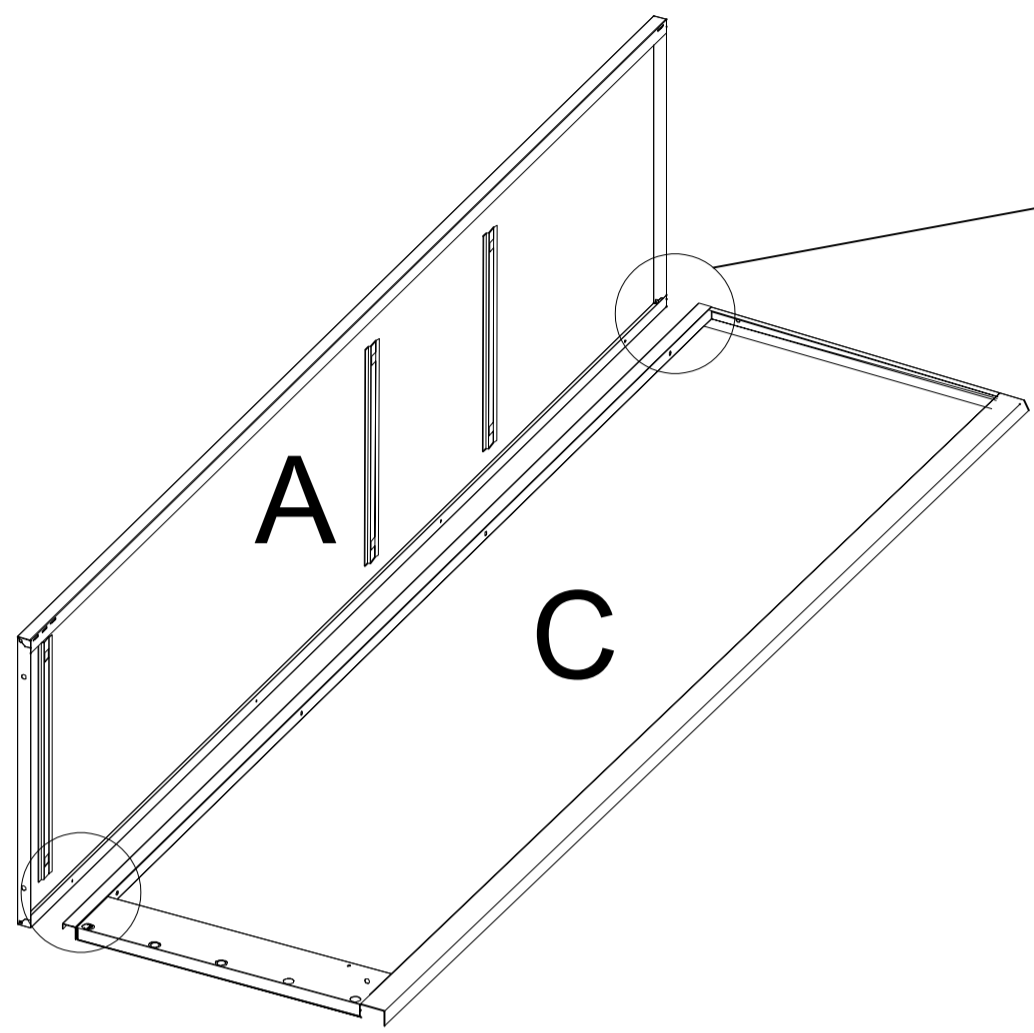
DON'T WORRY, WE GOT YOUR BACK!

Compare the sketch on the next page with your package. Are all the pieces there? However, sometimes errors happen, so if anything is missing just send us an email and we will make sure to fix it!



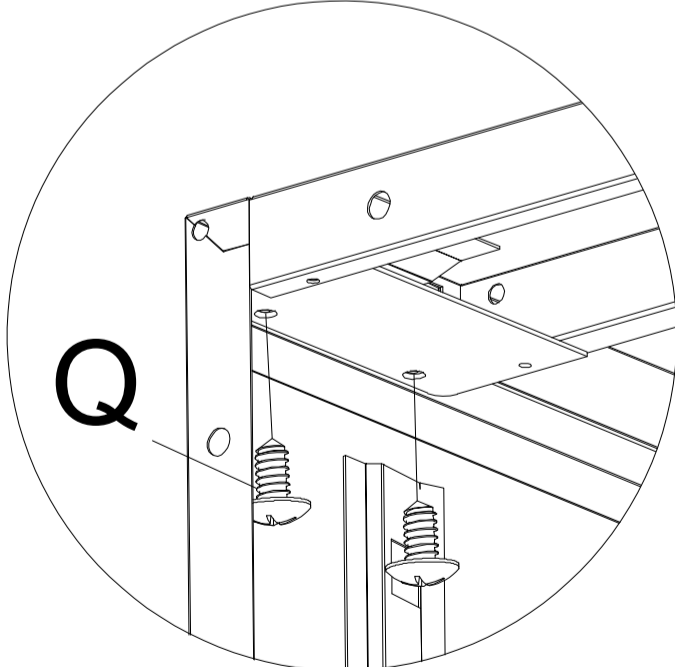
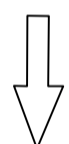
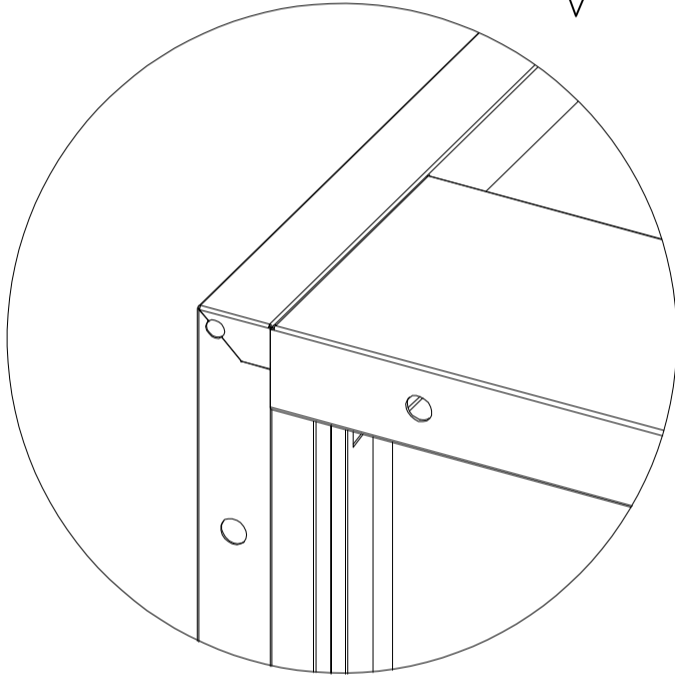
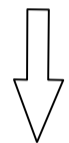
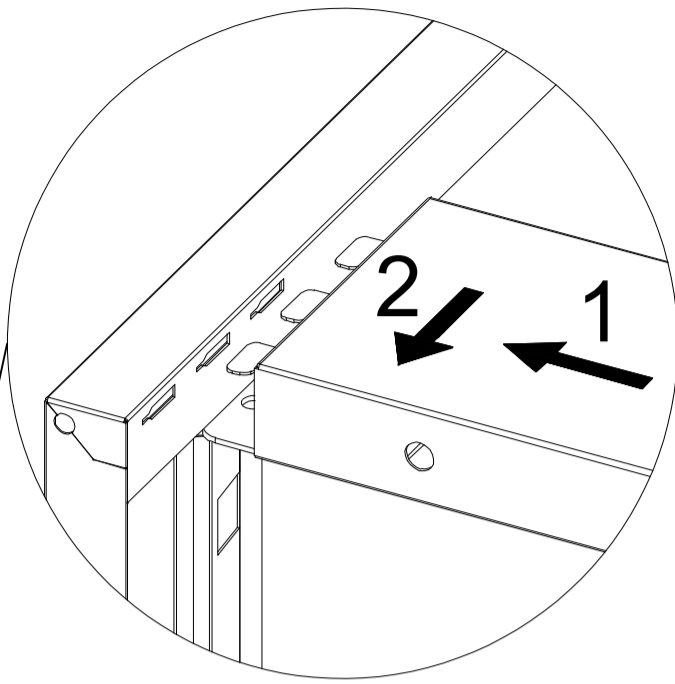
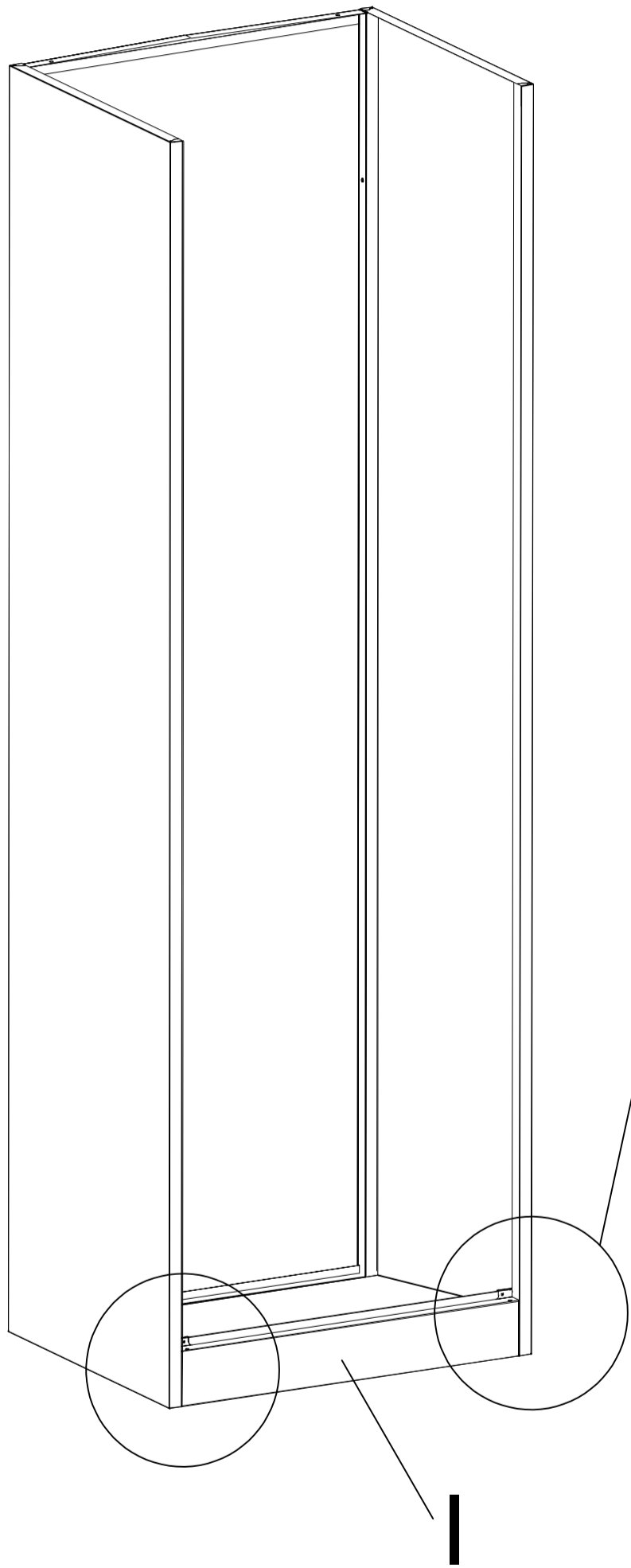


1



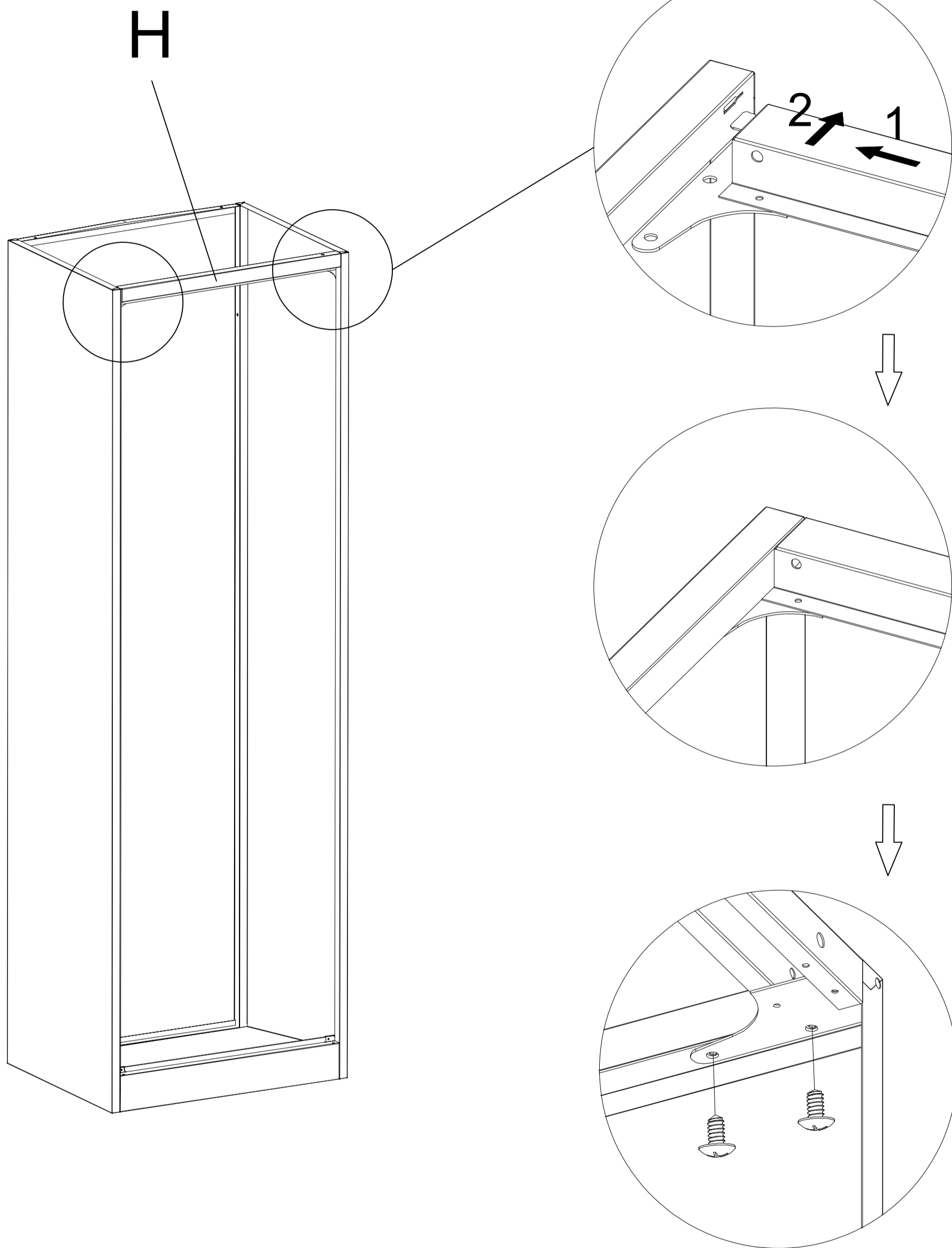
Q×8

1. Assemble A B and C, secure with screw Q.



Q×4

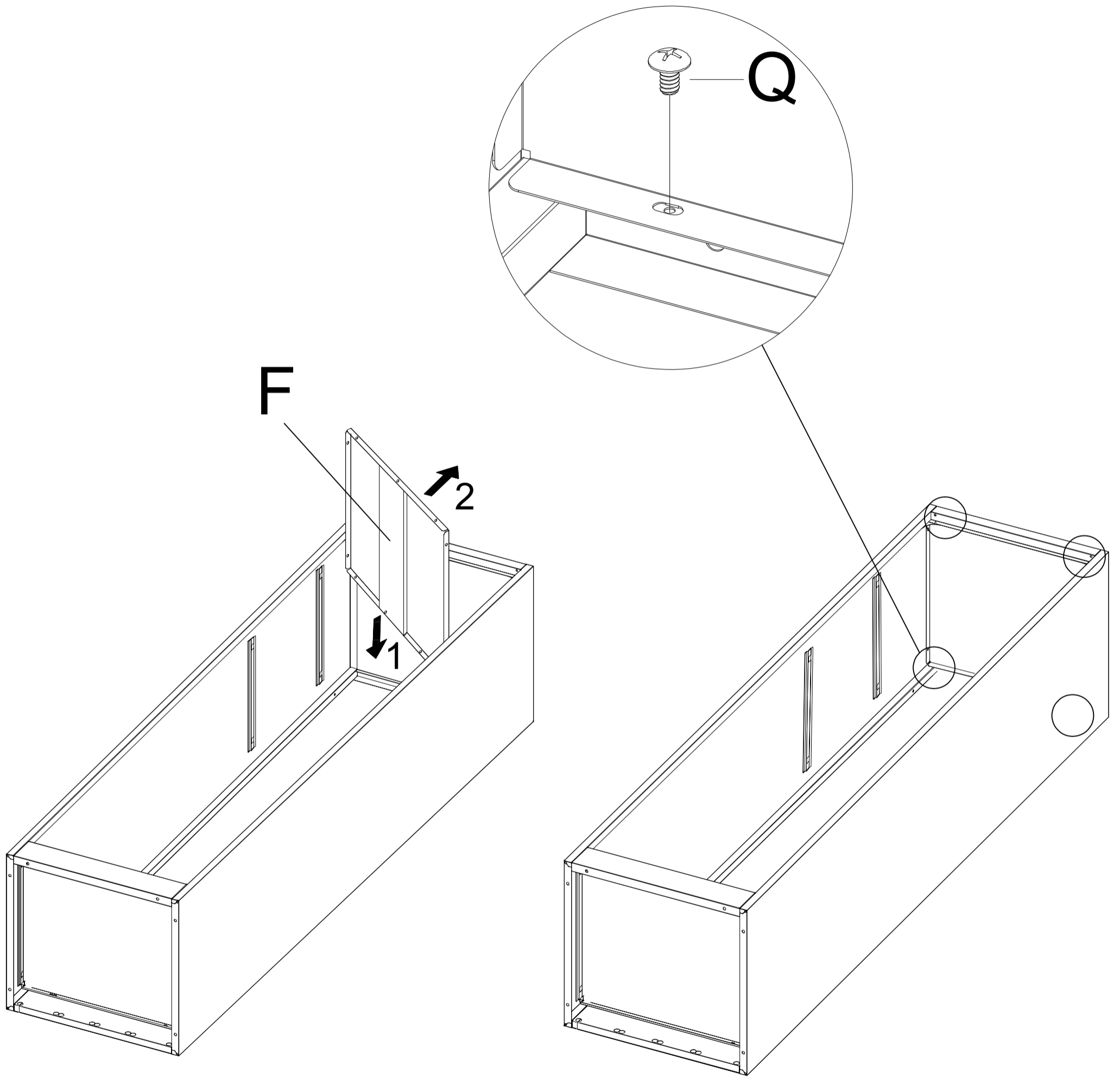
2. Install I, secure with screw Q.



Q×4

3. Install H, secure with screw Q.

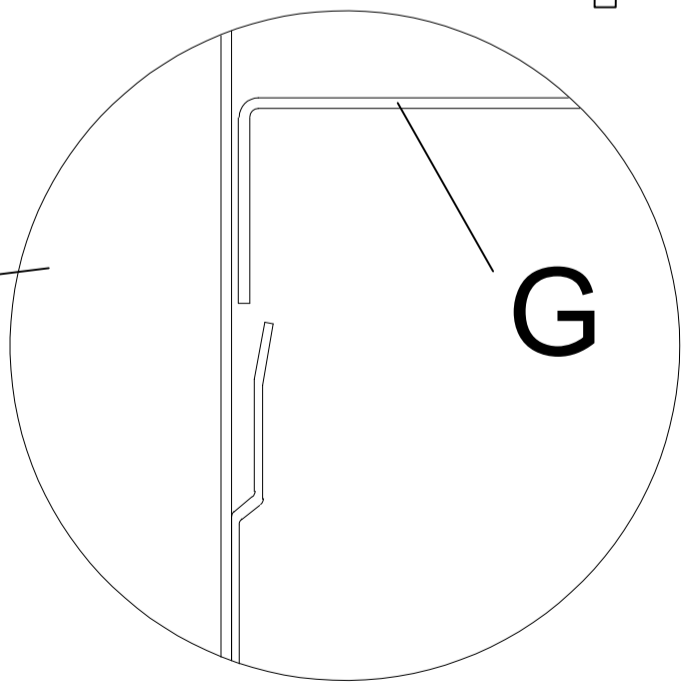
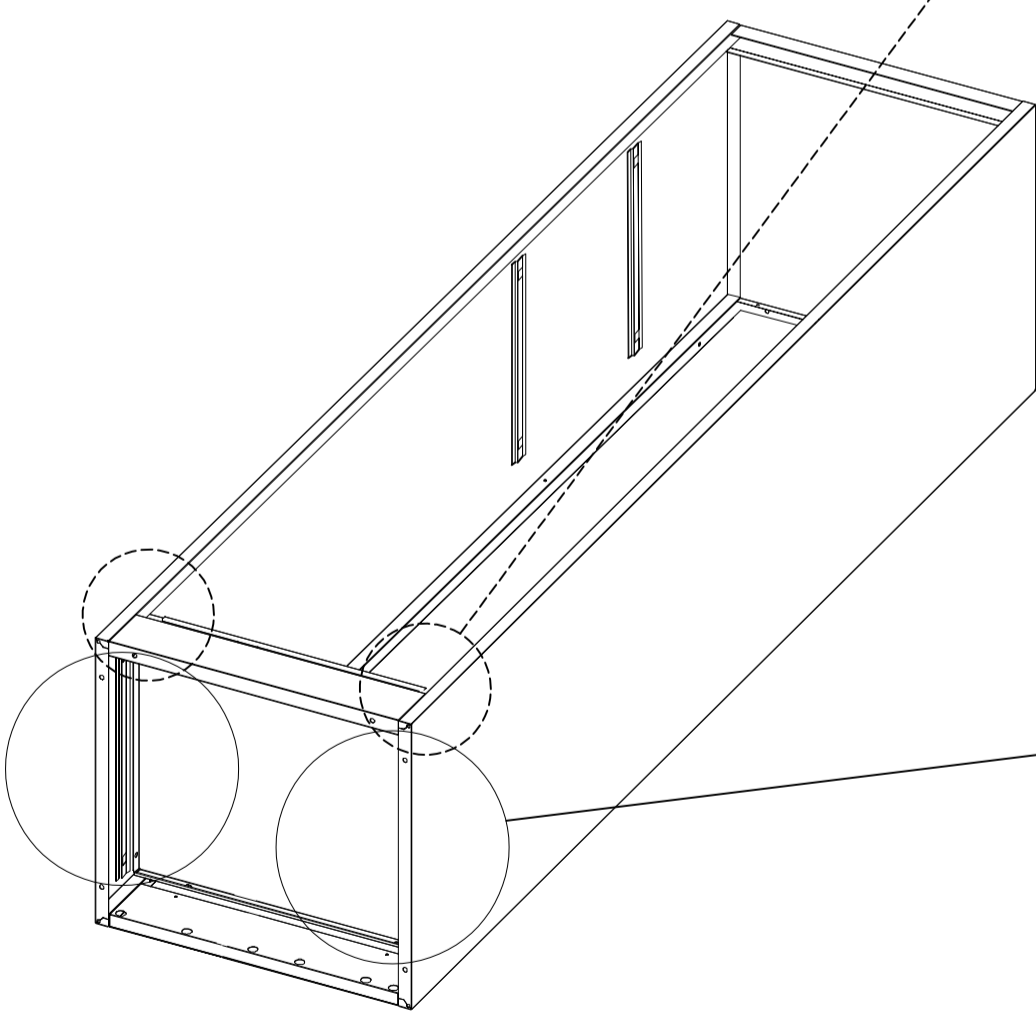
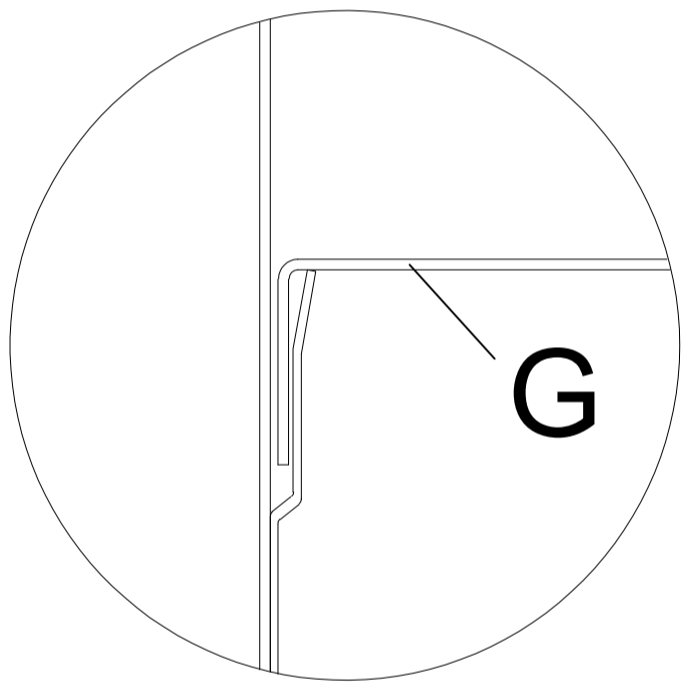
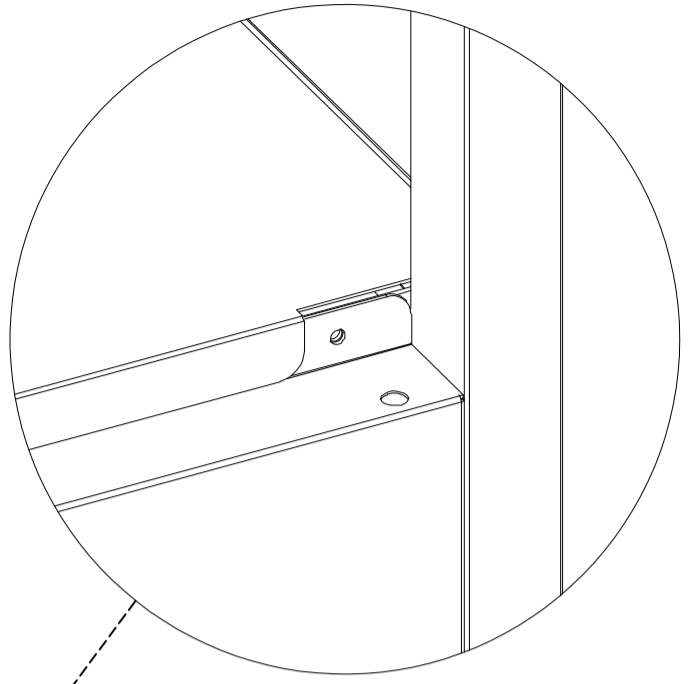
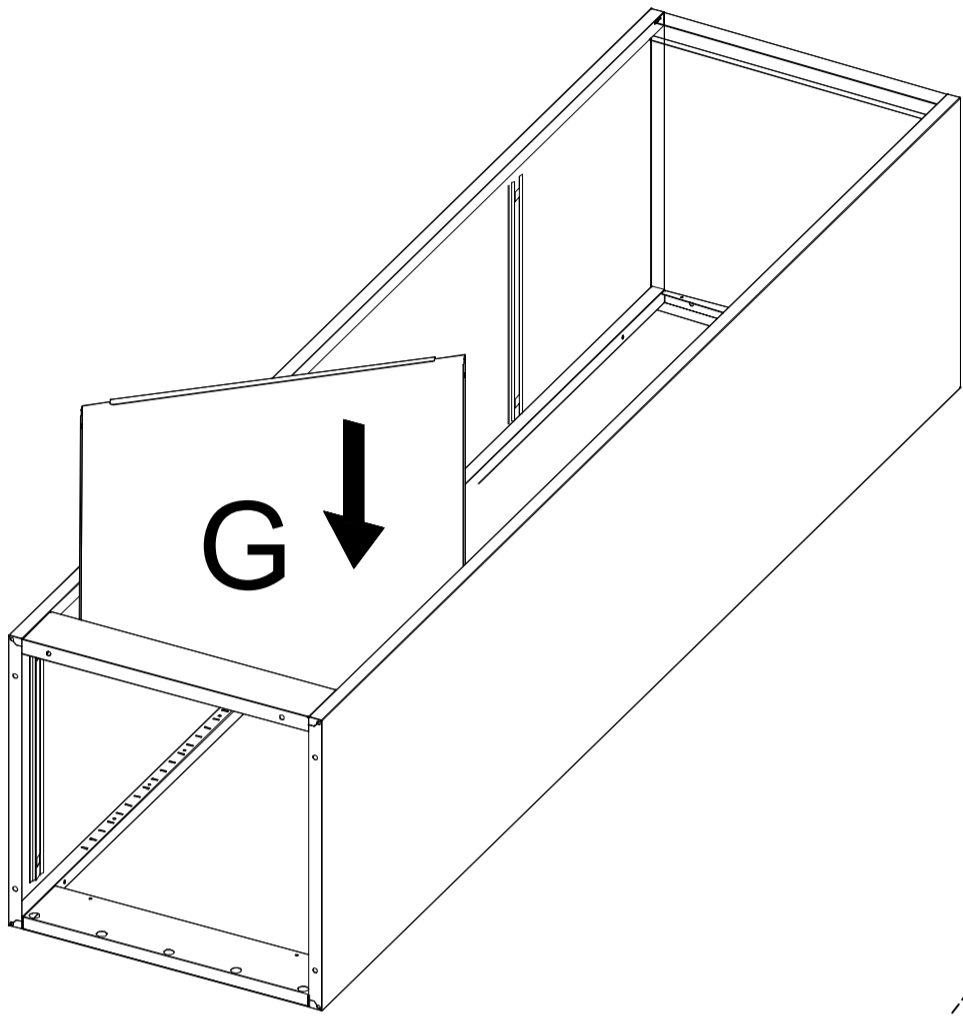
4



Q×4

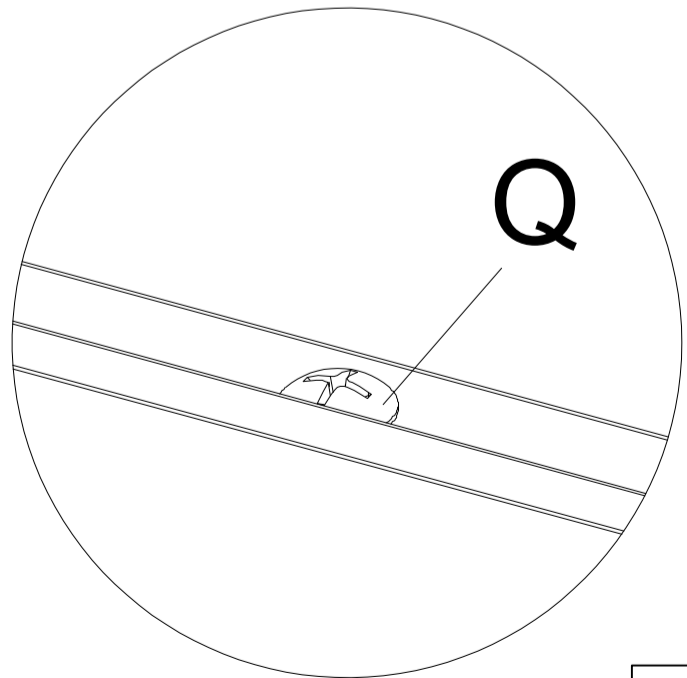
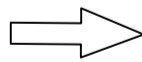
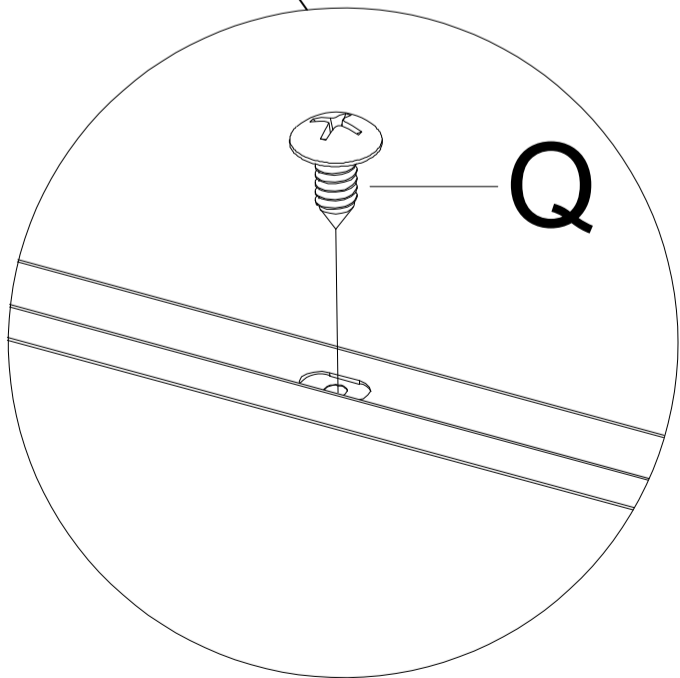
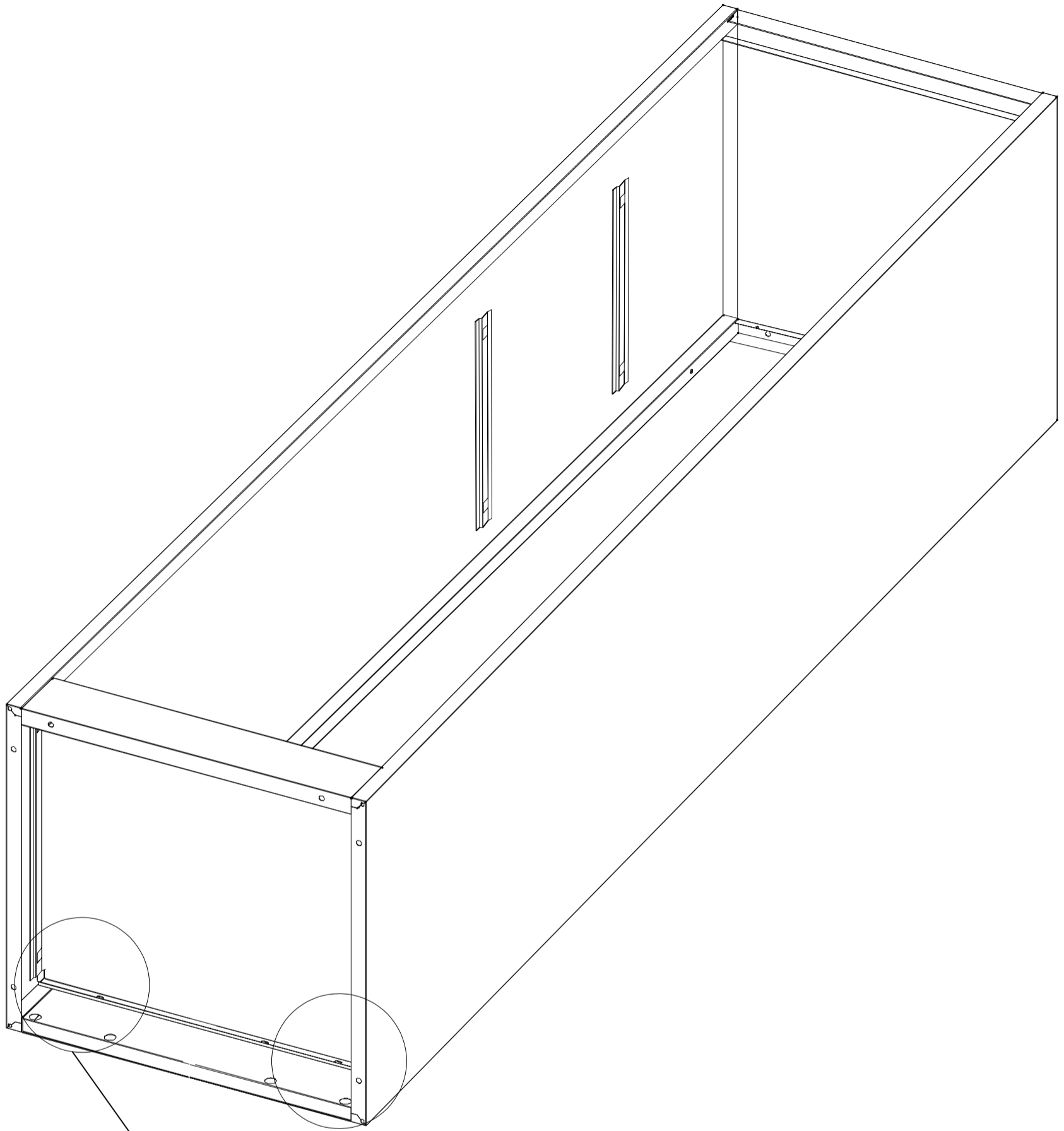
4. Install F, secure with screw Q.

5



5. Install G

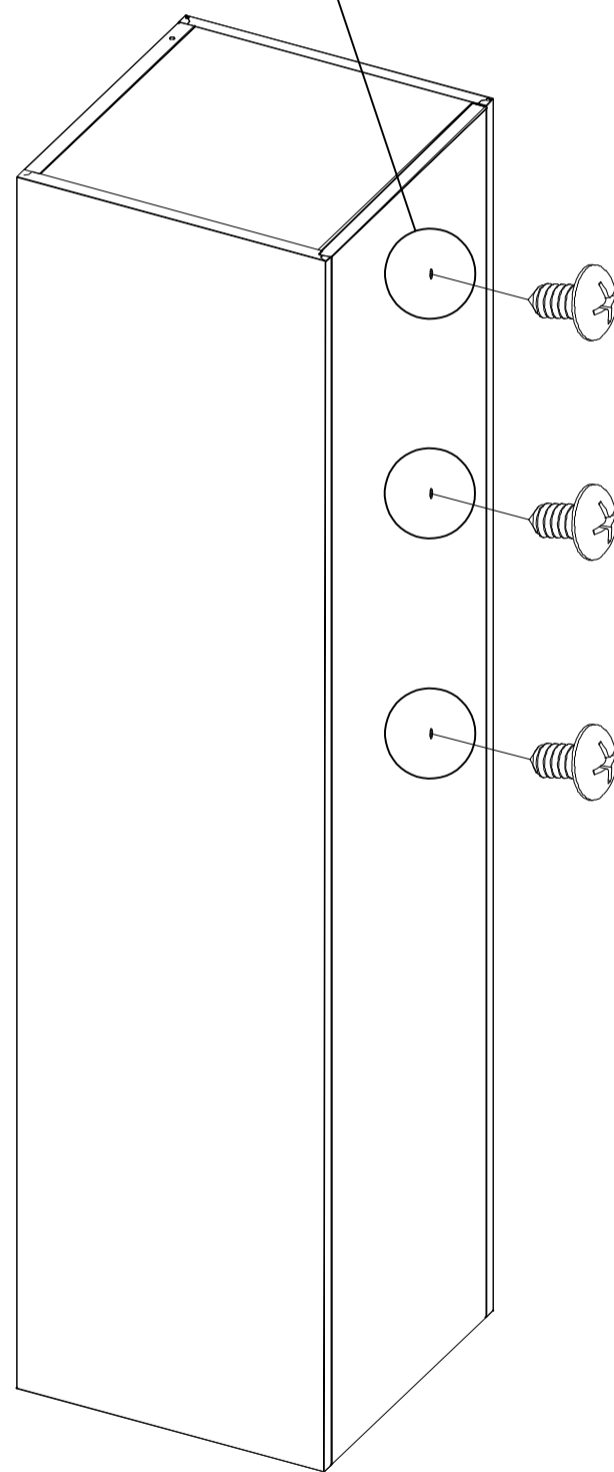
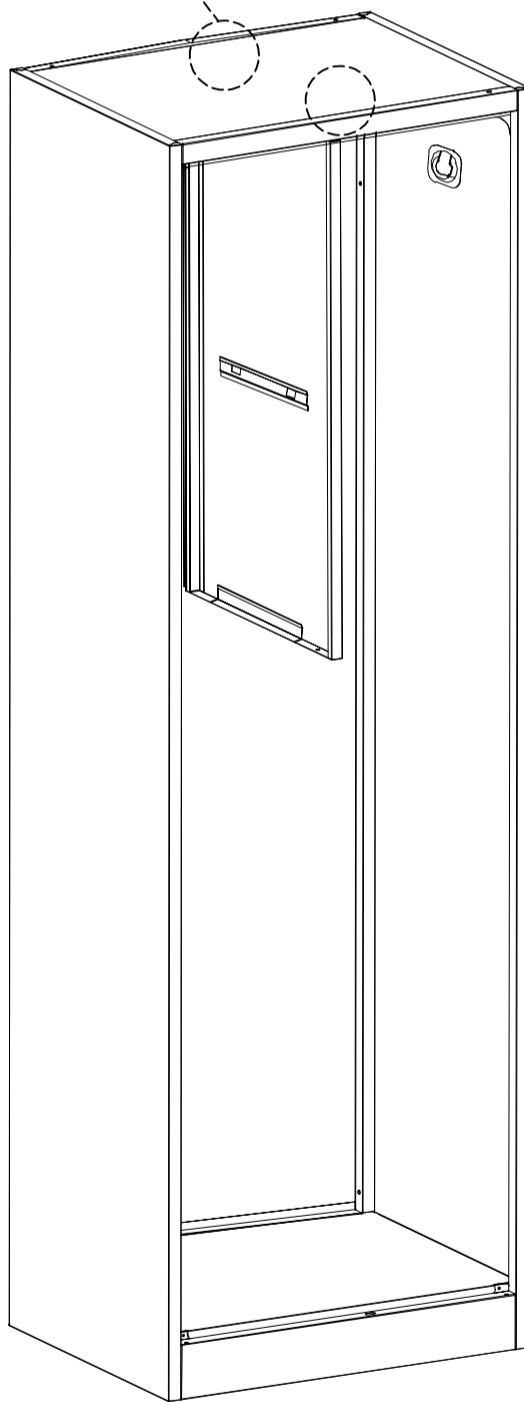
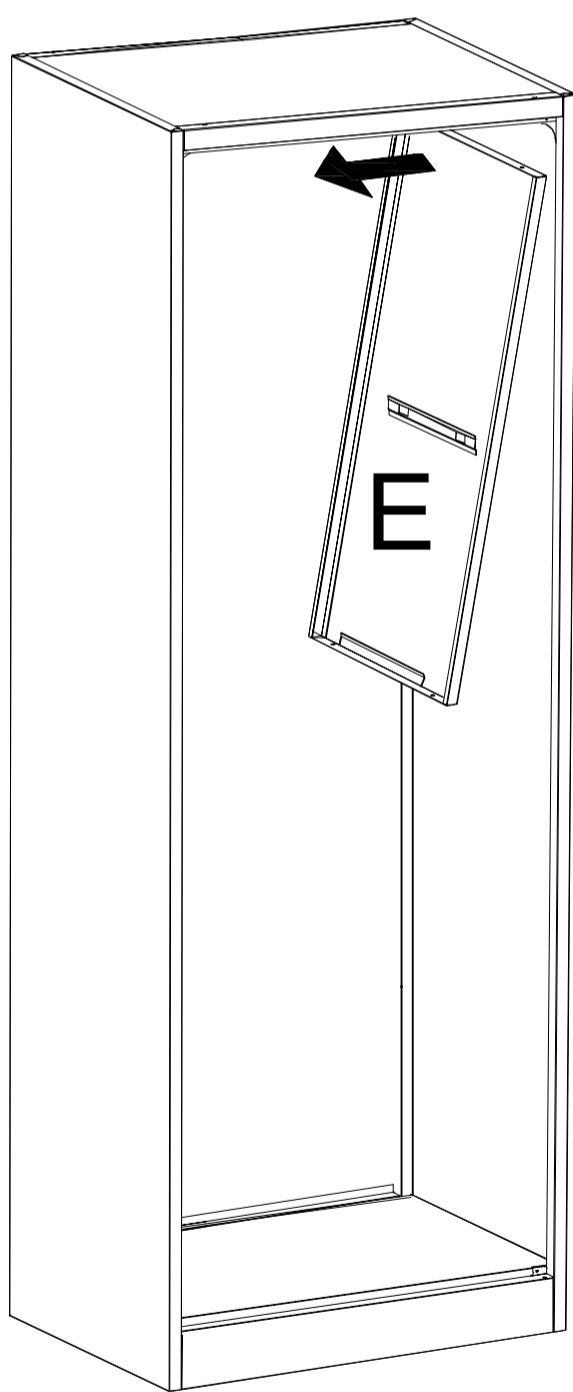
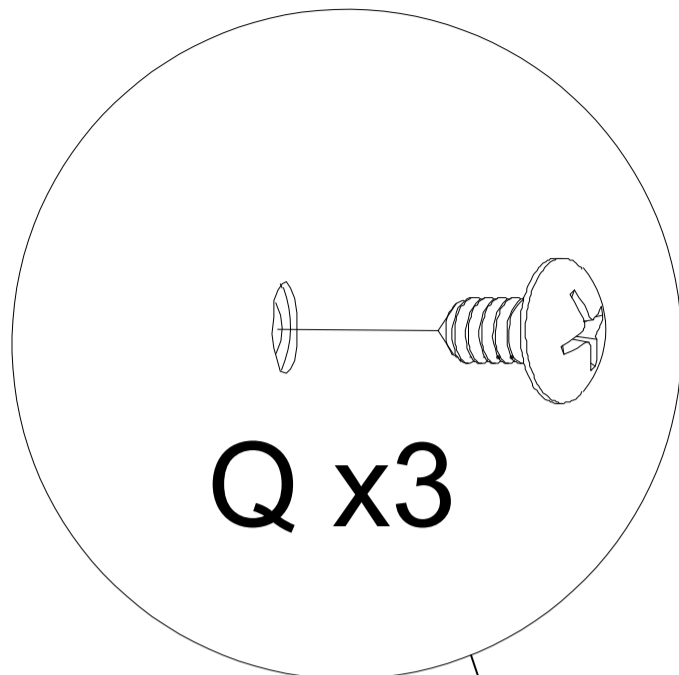
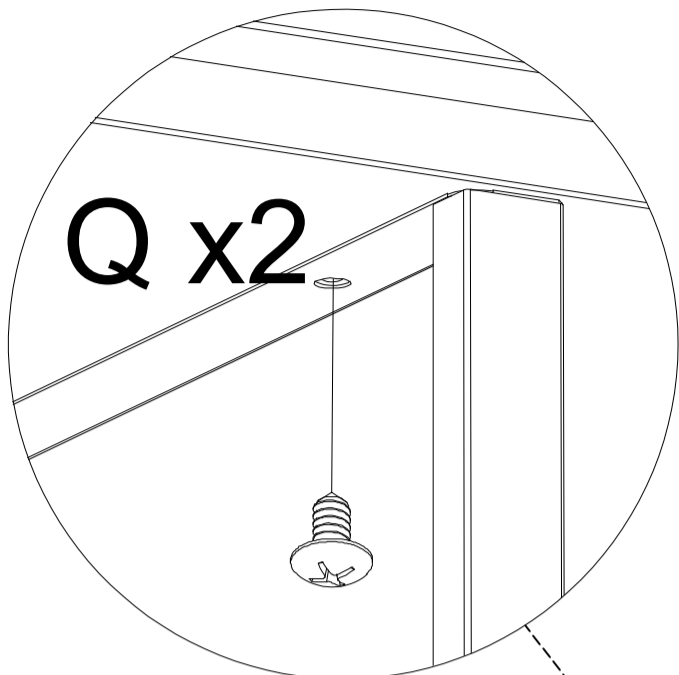
6



Q×2

6. Secure with screw Q.

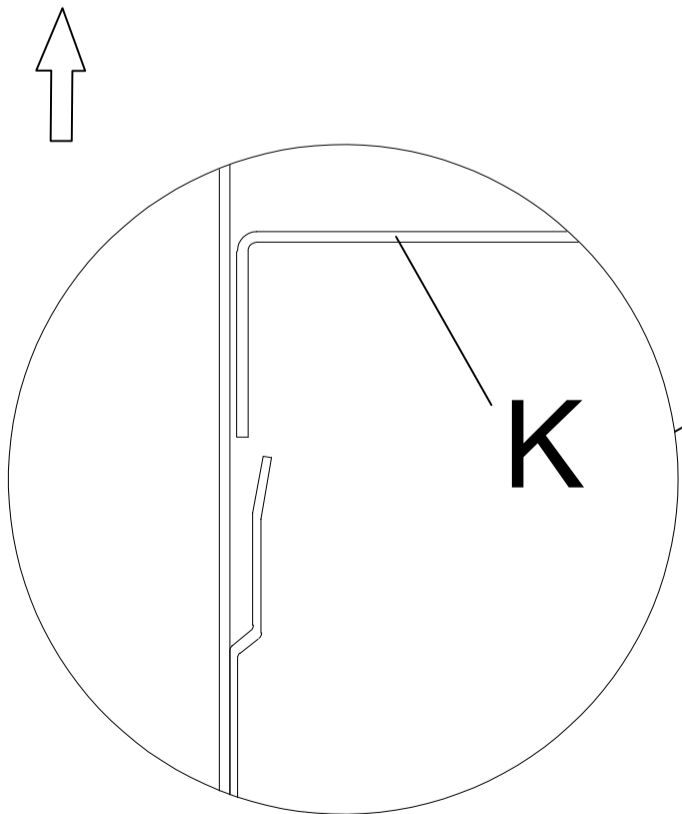
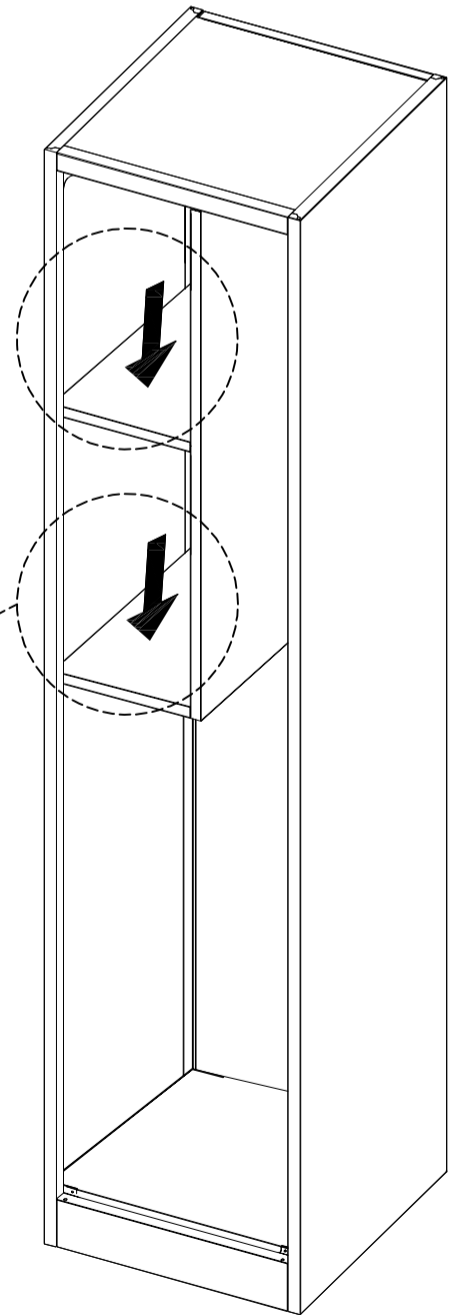
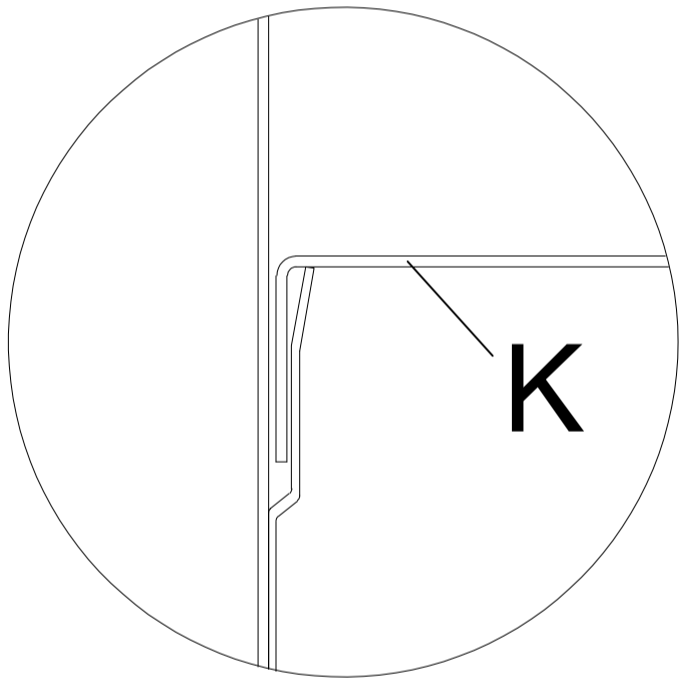
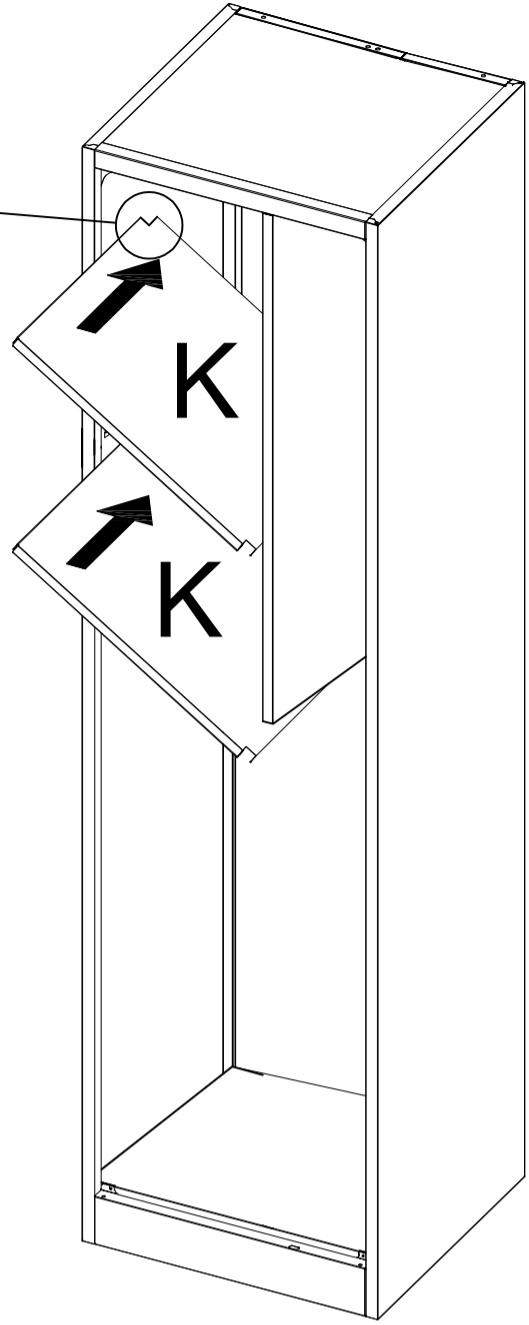
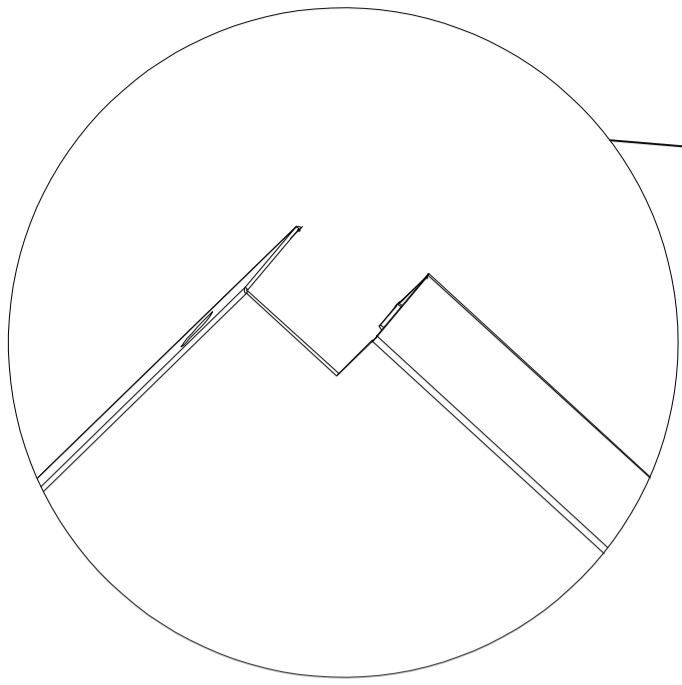
7



Qx5

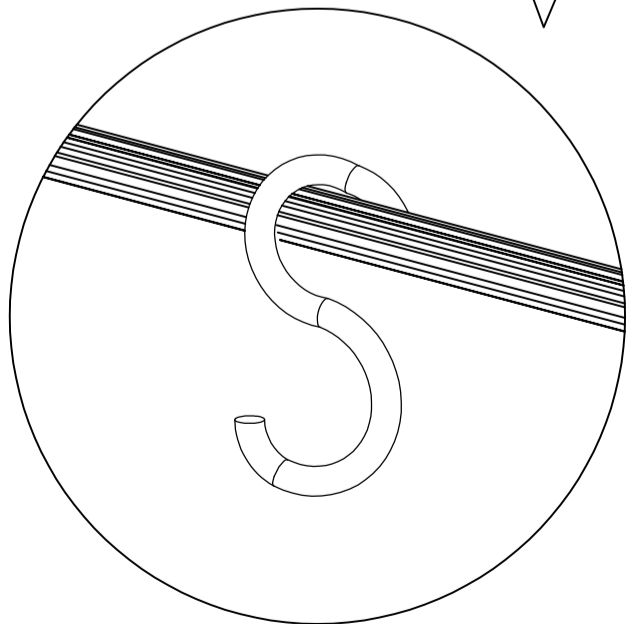
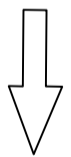
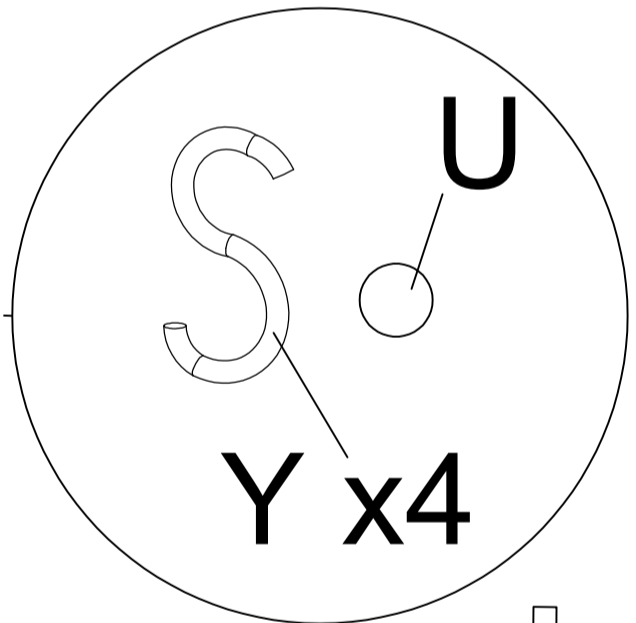
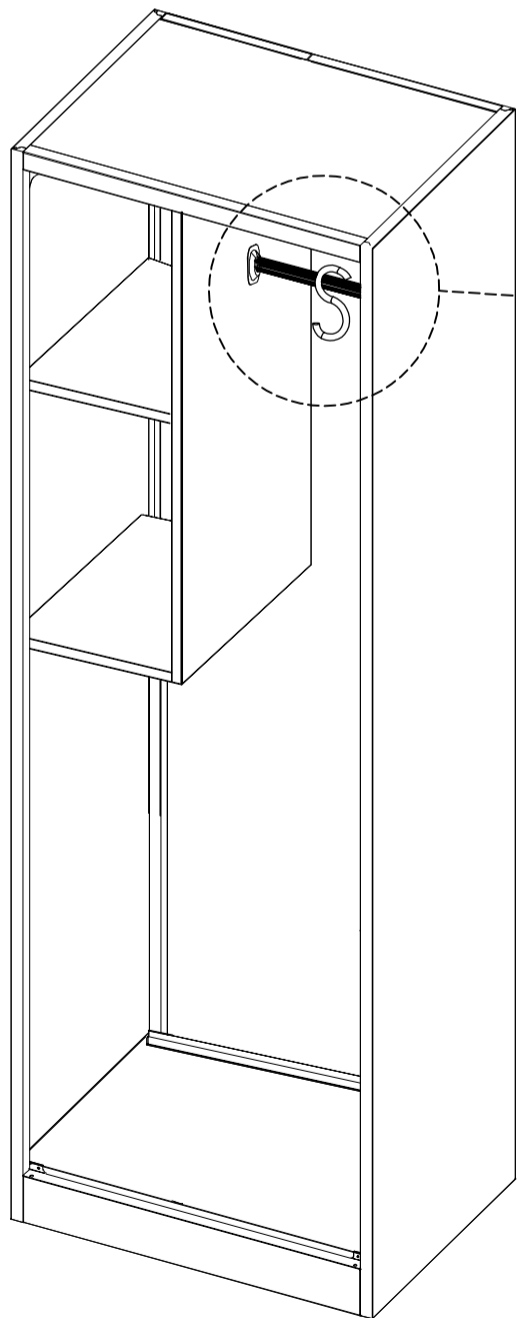
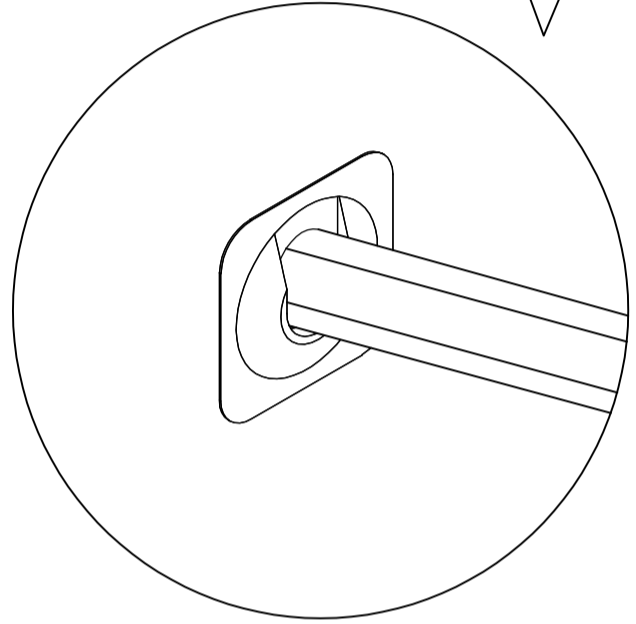
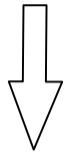
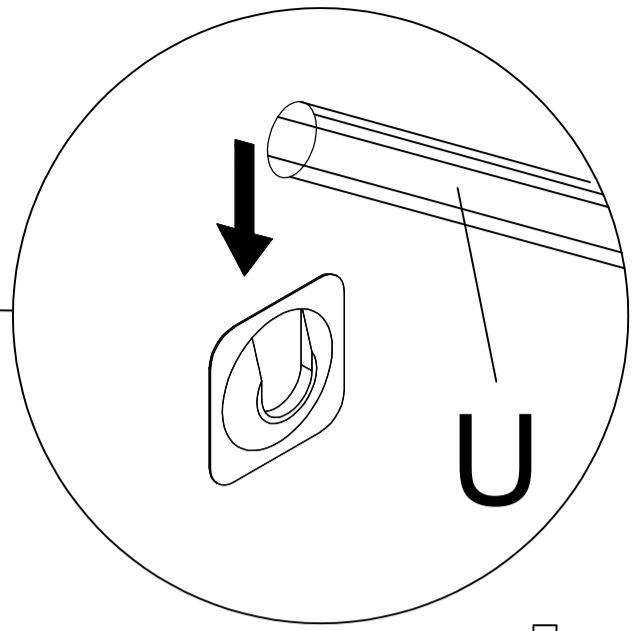
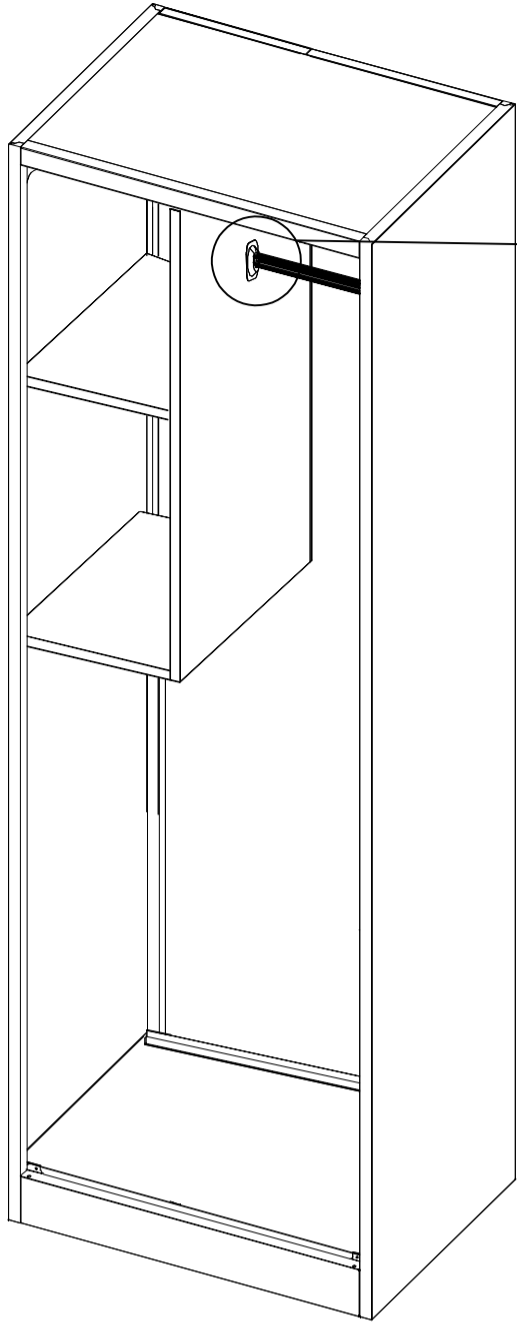
7. Install E, secure with screw Q.

8



8. Install K

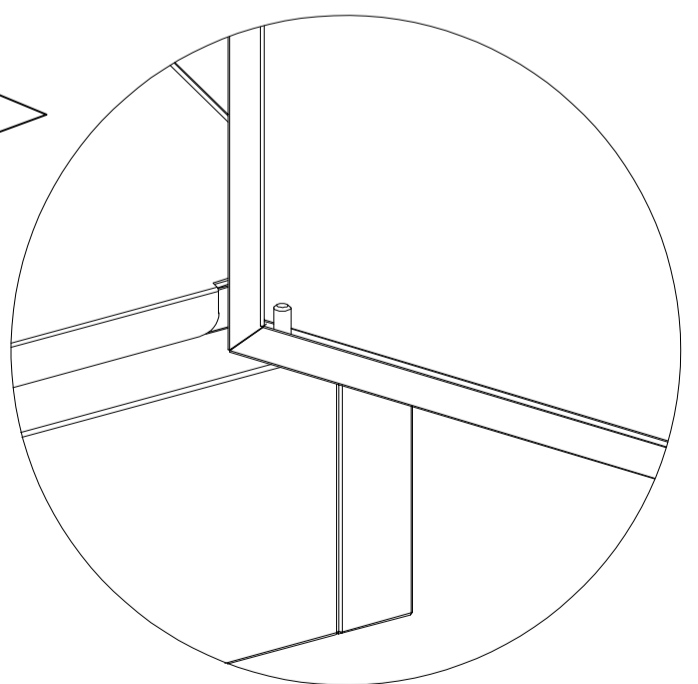
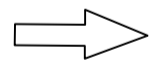
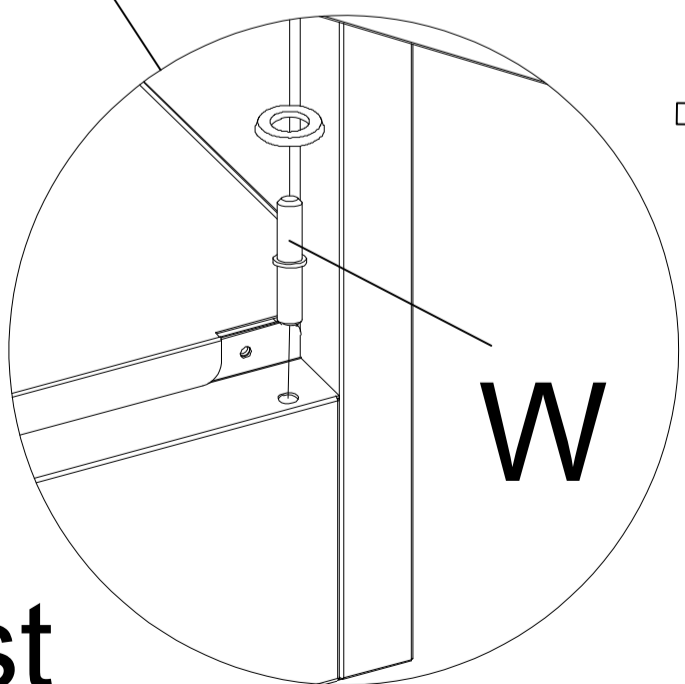
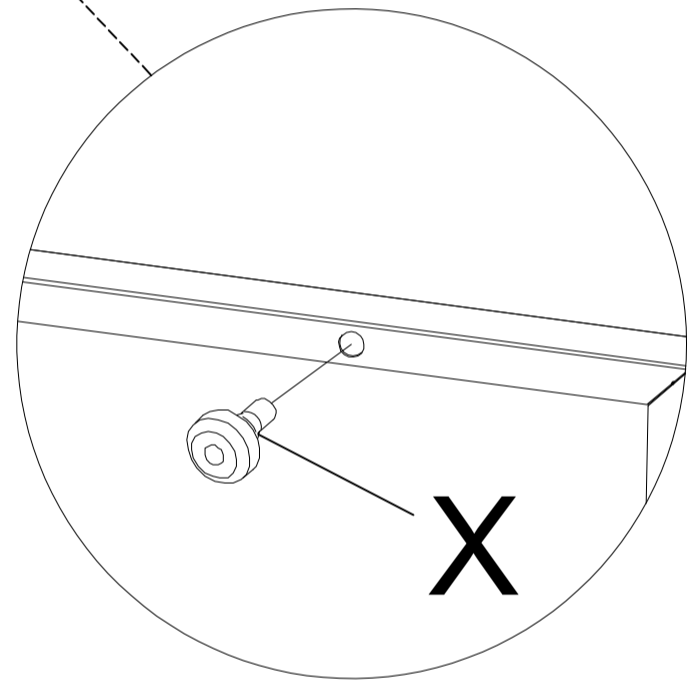
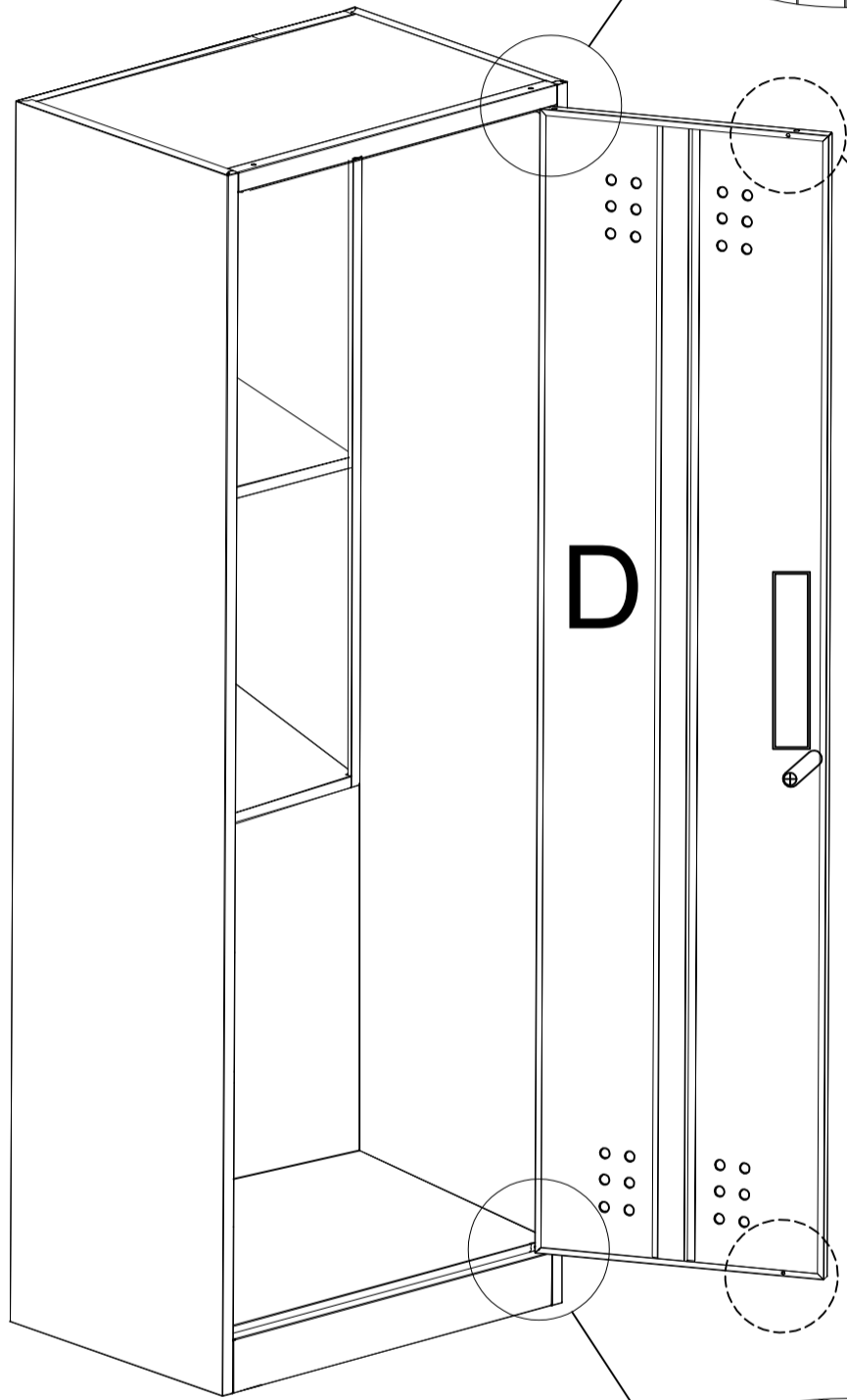
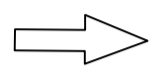
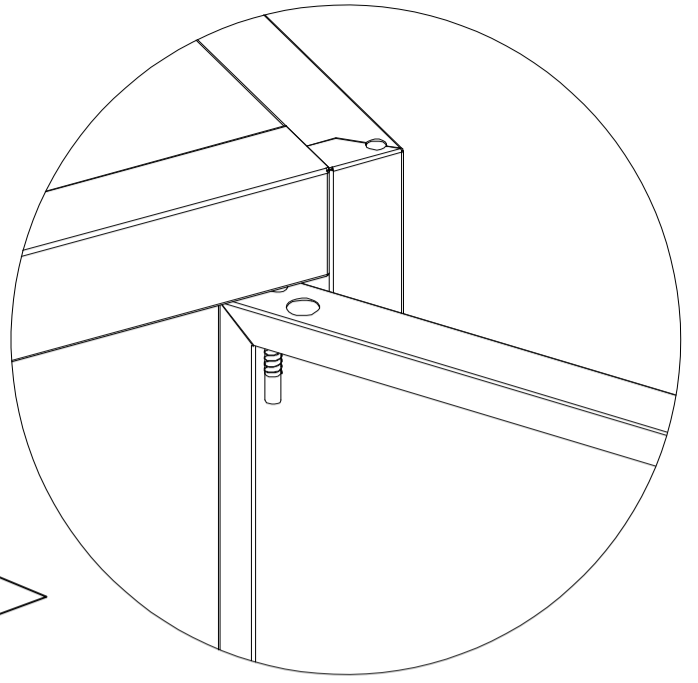
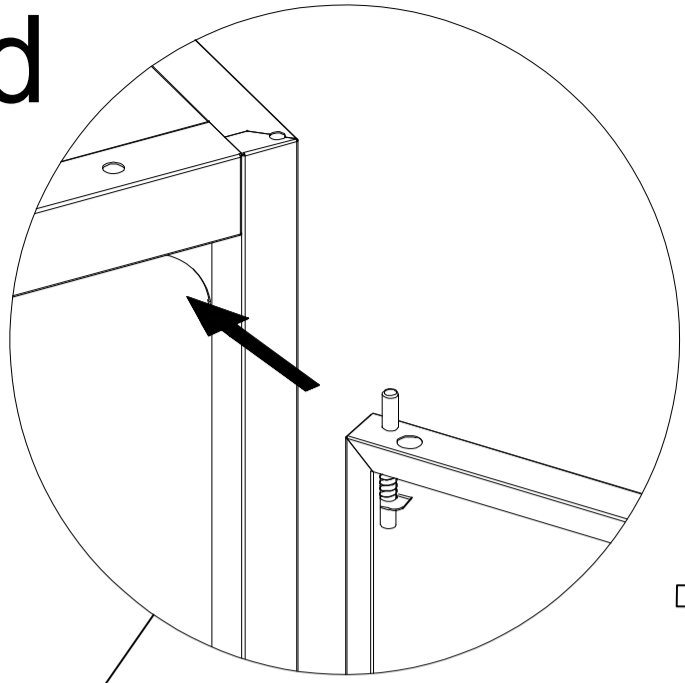
9



9. Install U and Y

10

2nd

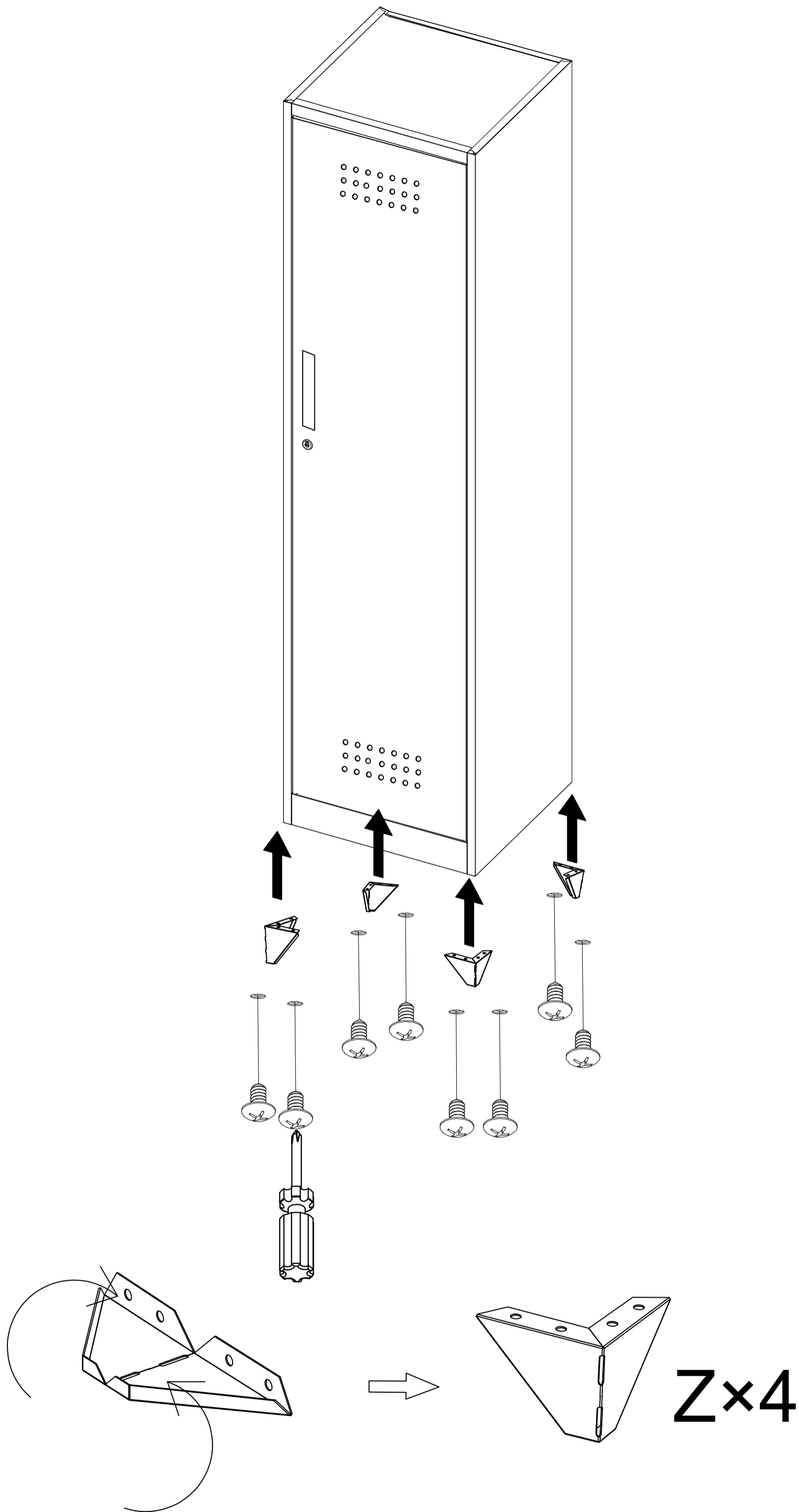


1st

10. Install W and X.

Install D

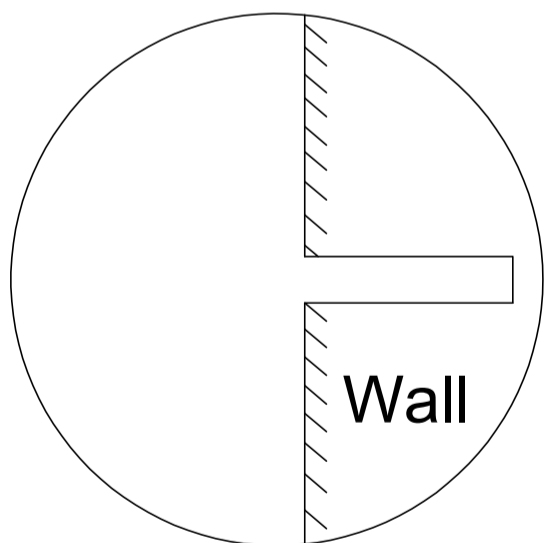
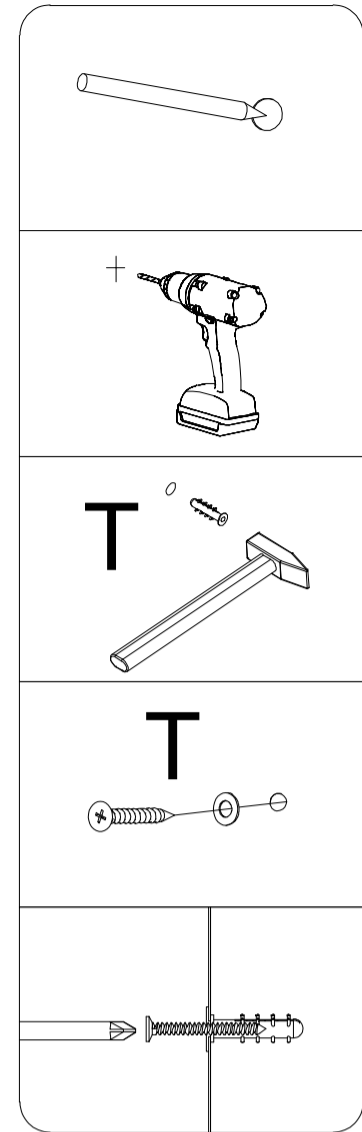
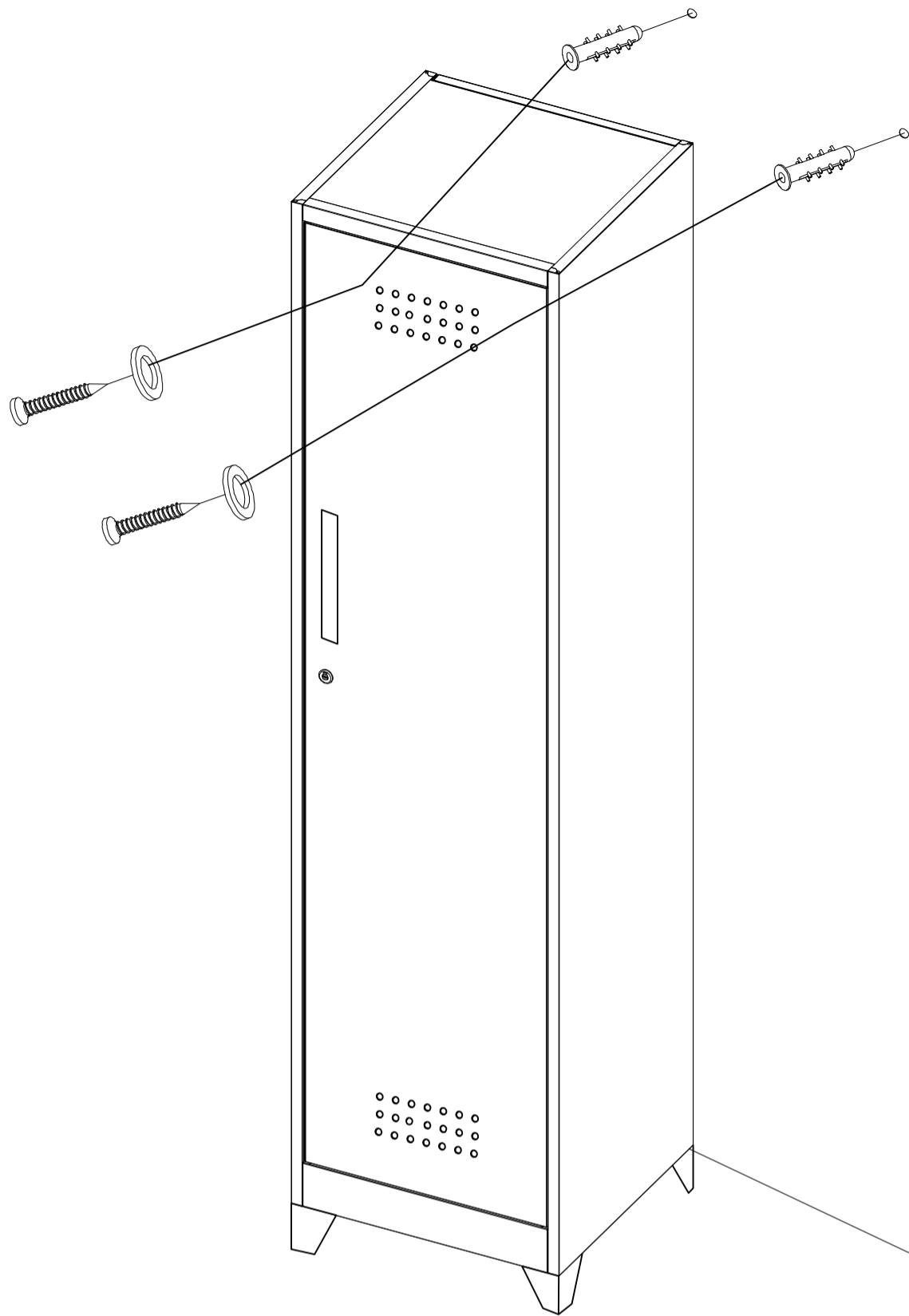
11



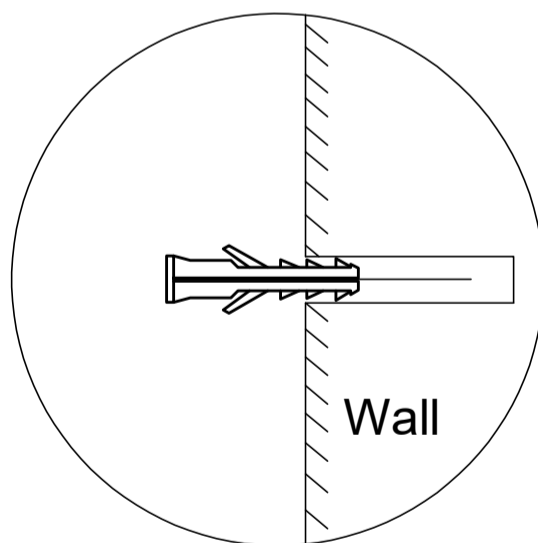
Z×4

Q×16

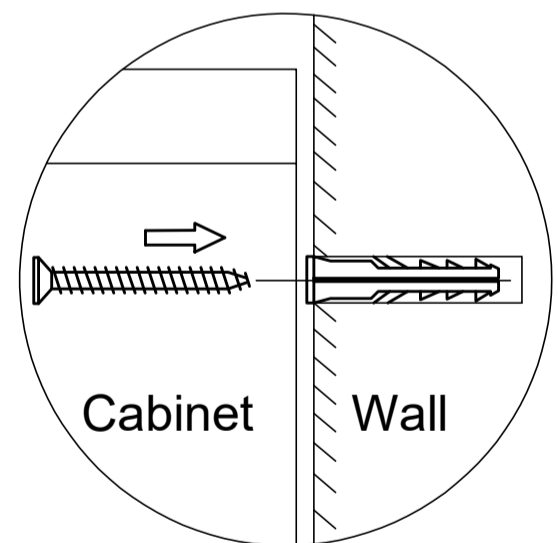
11. Fold Z. Install Z, secure with screw Q.



1



2



3

1. Drill holes in the corresponding positions on the wall

2. Install W in the hole

3. Install X, fasten the cabinet to the wall