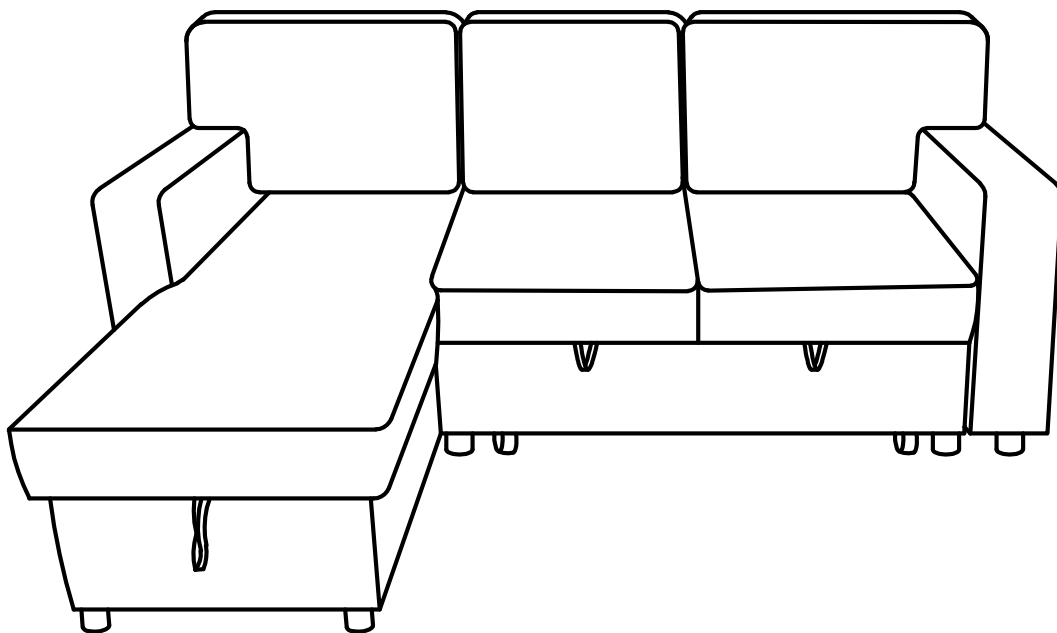


# ASSEMBLY INSTRUCTIONS

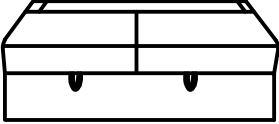


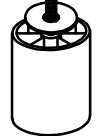


## IMPORTANT NOTE

- \*\*Place all parts on a lean and smooth surface such as a rug or carpet to avoid the parts from being scratched.
- \*\*Before you begin, please review the assembly instruction step by step.
- \*\*Return & Warranty policy:
  - We strive to offer the highest quality products. We also provide positive solutions with replacements or refund if needed.
  - If the item is damaged or defective, please take photos to show the problem and email to the seller.
  - Please do not return back the products before contact the seller.

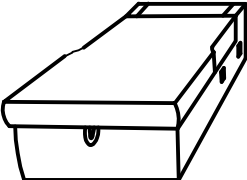
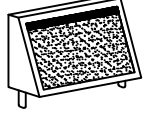
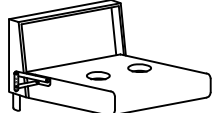
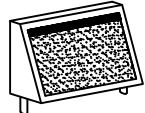
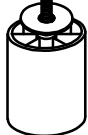
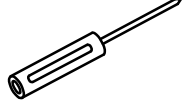


# ASSEMBLY INSTRUCTIONS

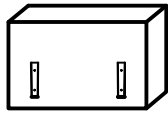
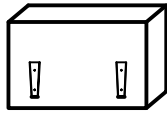
## PART LISTS BOX1

<p>A</p>  <p>LOVESEAT (1 PC)</p>	<p>H</p>  <p>LEFT CUSHION BACK (1PC)</p>	<p>I</p>  <p>RIGHT CUSHION BACK (1PC)</p>
<p>1</p>  <p>Leg ( 6 PCS )</p>	<p>2</p>  <p>WHEEL ( 4 PCS )</p>	<p>3</p>  <p>SCREW M4*30 ( 16PCS )</p>

## PART LISTS BOX 2

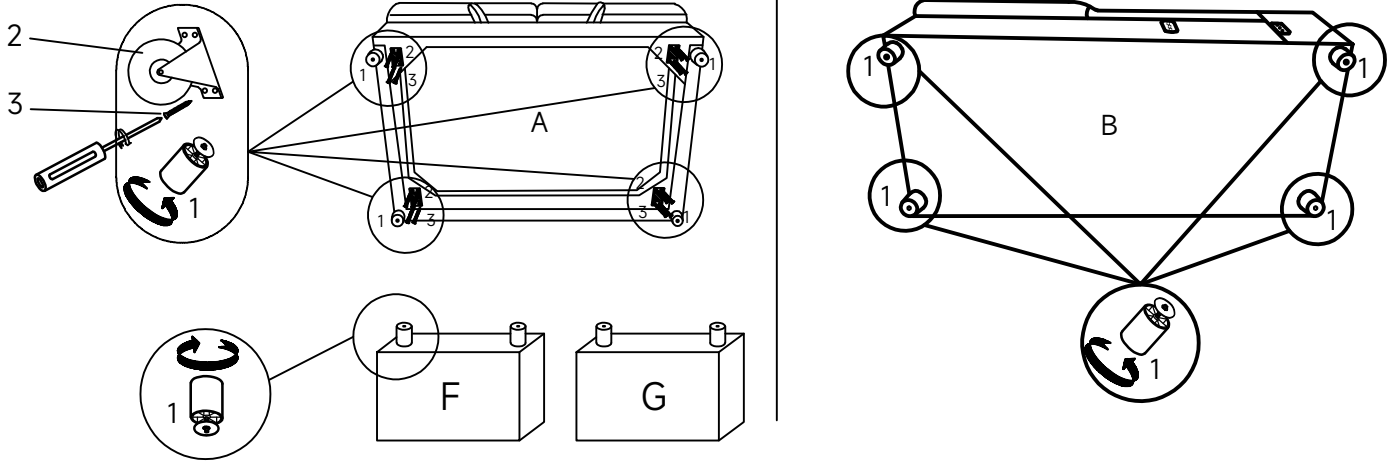
<p>B</p>  <p>CHAISE (1 PC)</p>	<p>C</p>  <p>LEFT LOVESEAT BACKREST (1PC)</p>	<p>D</p>  <p>RIGHT LOVESEAT BACKREST (1PC)</p>
<p>E</p>  <p>CHAISE BACKREST (1PC)</p>	<p>1</p>  <p>Leg ( 6 PCS )</p>	

## PART LISTS BOX 3

<p>F</p>  <p>RIGHT ARM (1 PC)</p>	<p>G</p>  <p>LEFT ARM (1PC)</p>
--	--

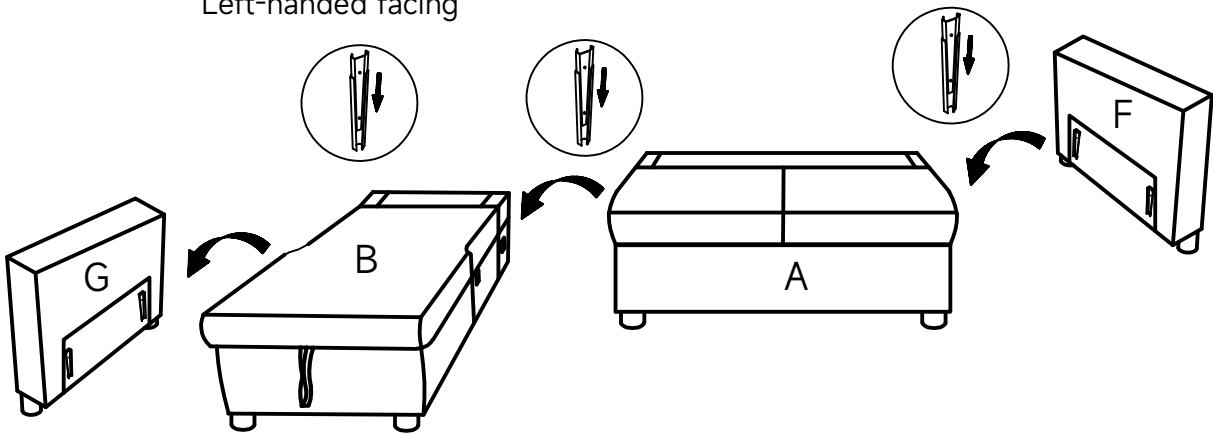
Phillips Screwdriver  
(Not included)

Step 1

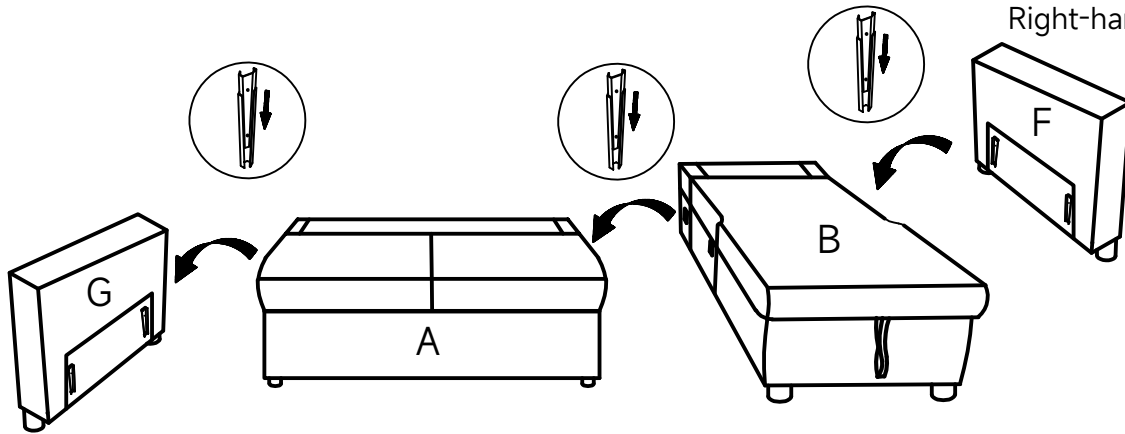


Step 2: Left-handed facing / Right-handed facing.

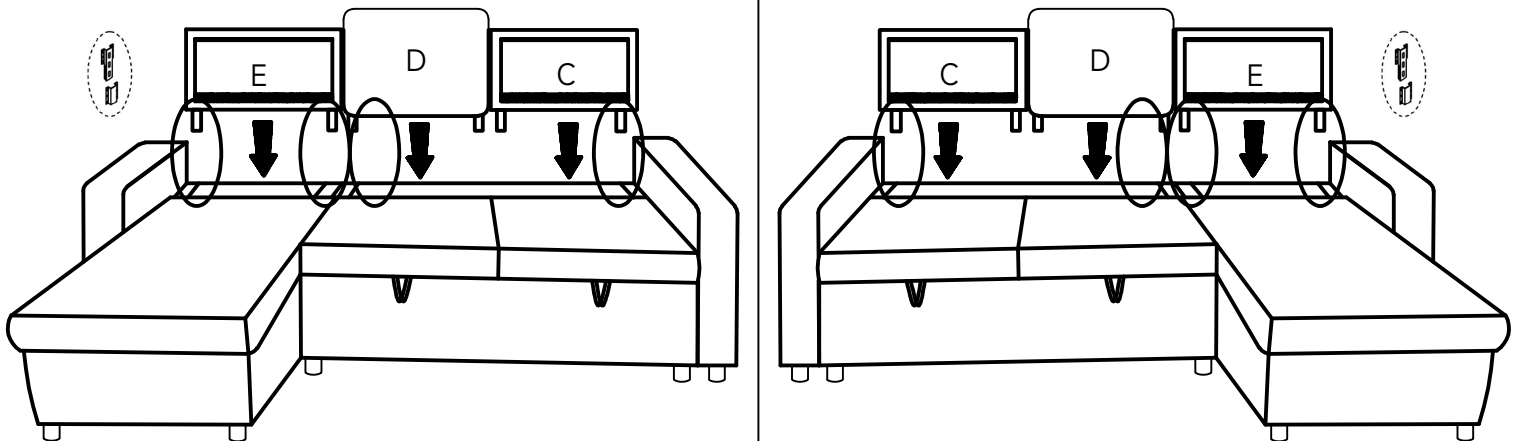
Left-handed facing



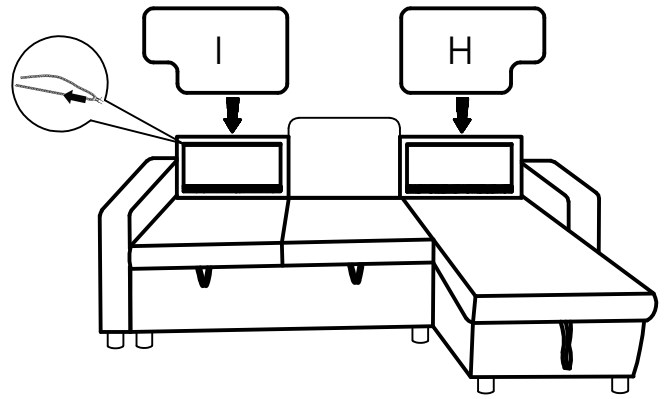
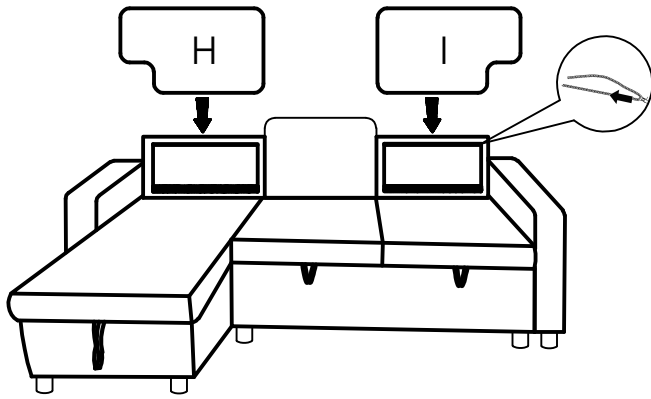
Right-handed facing



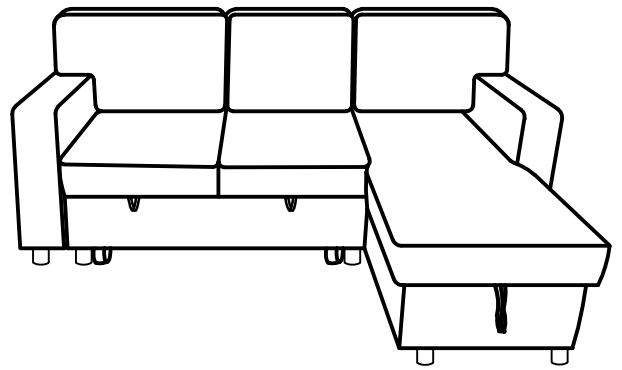
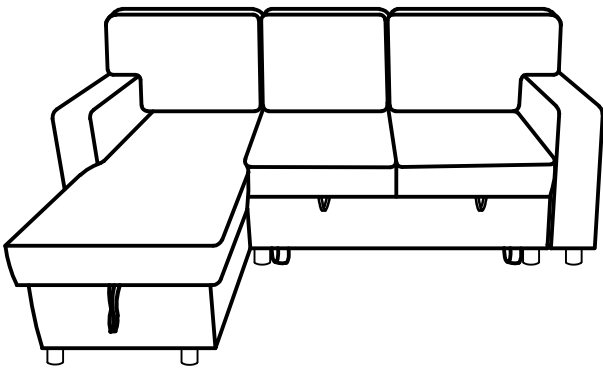
Step 3:



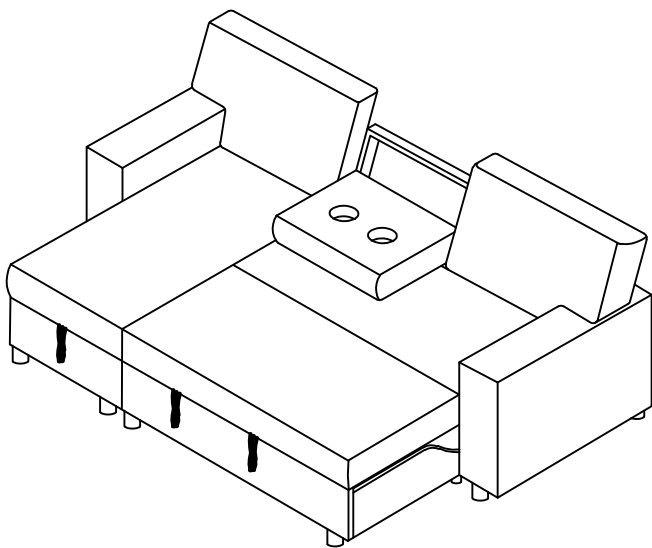
Step 4:



Step 5: Assembly Complete



Left facing chaise



Right facing chaise

