

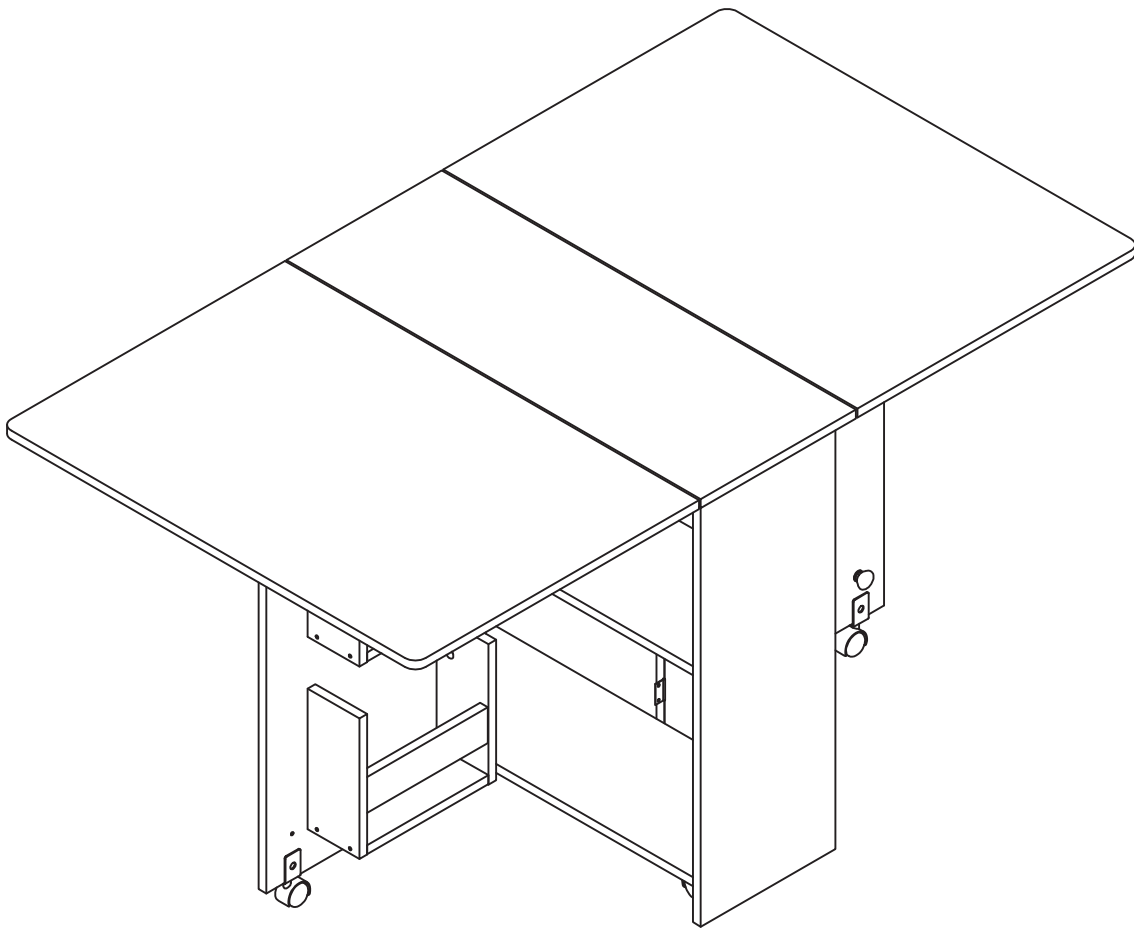
DINING TABLE

WITH STORAGE

User Manual

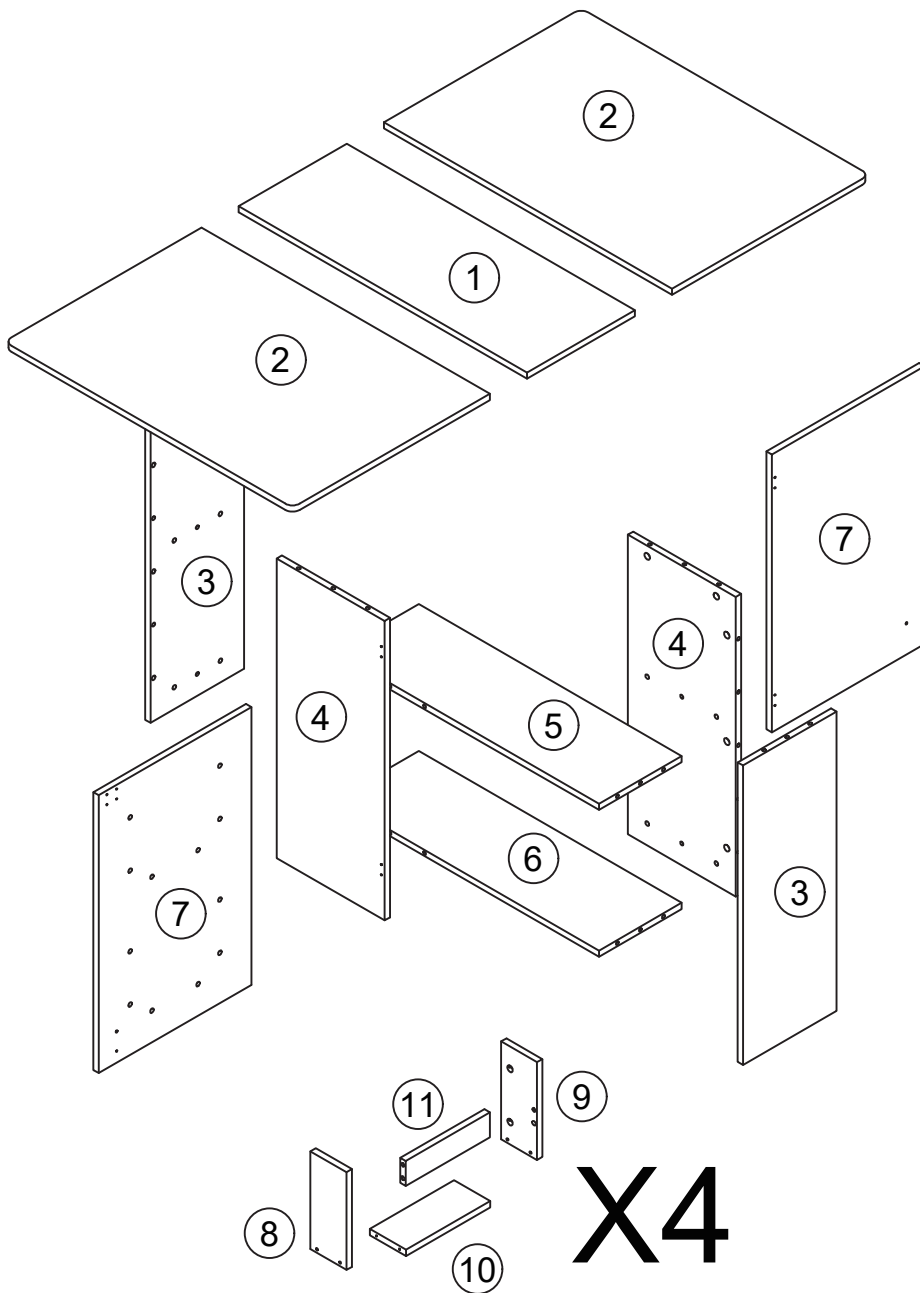
1

ASSEMBLY INSTRUCTIONS

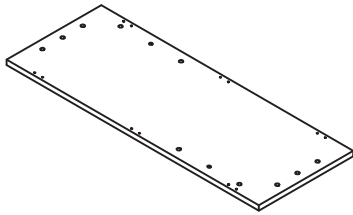


2

BOARD IDENTIFICATION

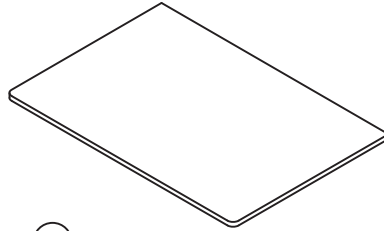


PARTS LIST



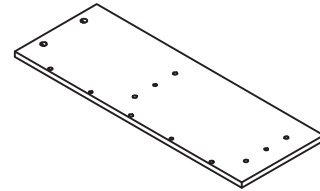
①

MAIN PANEL



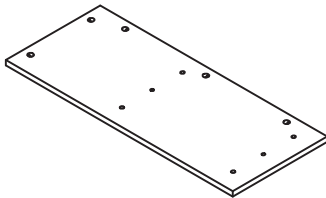
②

MAIN PANEL
QTY:2



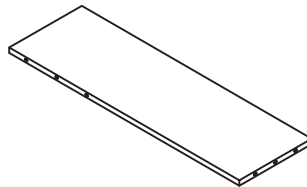
③

SIDE PANEL
QTY:2



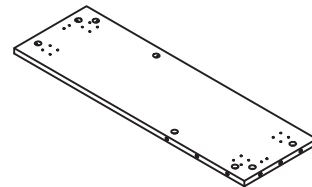
④

SEAL PANEL
QTY:2



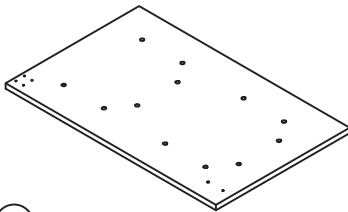
⑤

LAYER BOARD



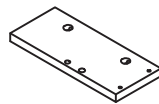
⑥

BOTTOM



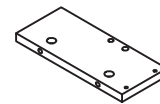
⑦

DOOR
QTY:2



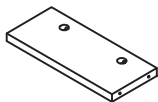
⑧

LEFT RISER
QTY:4



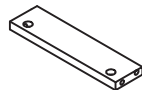
⑨

RIGHT RISER
QTY:4



⑩

PULL PLATE
QTY:4

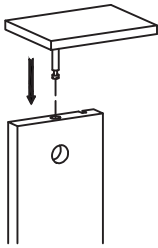


⑪

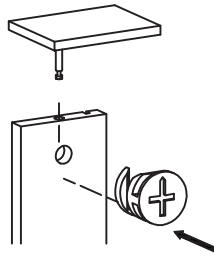
PULL PLATE
QTY:4

4

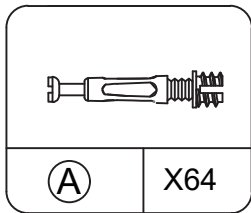
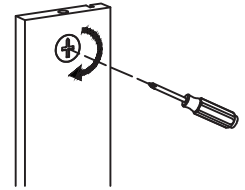
1



2

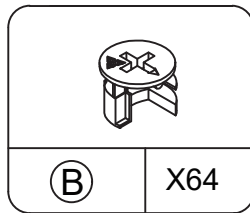


3



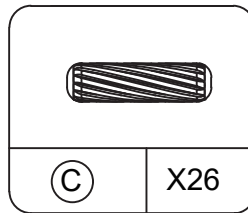
(A) X64

CAM BOLT
F7*30



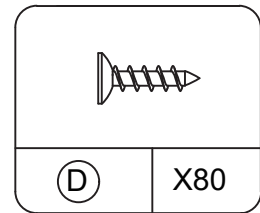
(B) X64

CAM LOCK
F15*11



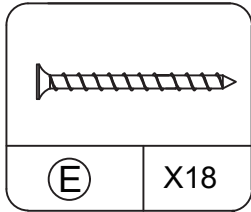
(C) X26

WOOD DOWEL
F8*30



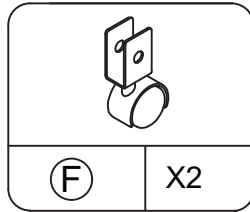
(D) X80

SCREW
F3.5*14



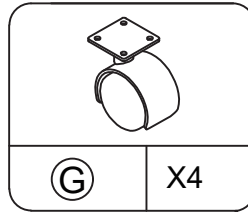
(E) X18

SCREW
F4*35



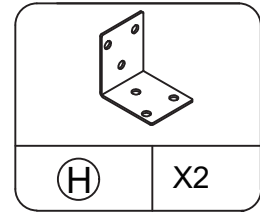
(F) X2

PULLEY



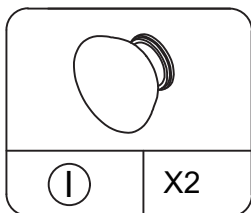
(G) X4

PULLEY



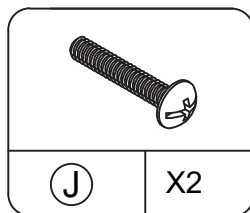
(H) X2

CORNER CODE



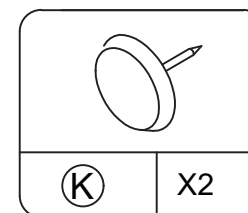
(I) X2

HANDLE



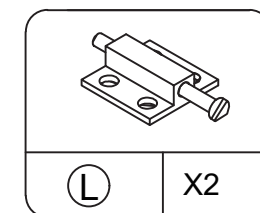
(J) X2

SCREW
F4*18



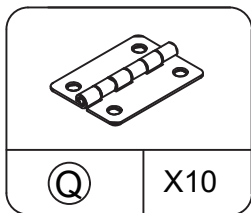
(K) X2

SPIKES



(L) X2

MAGNETIC PUSH
LATCH



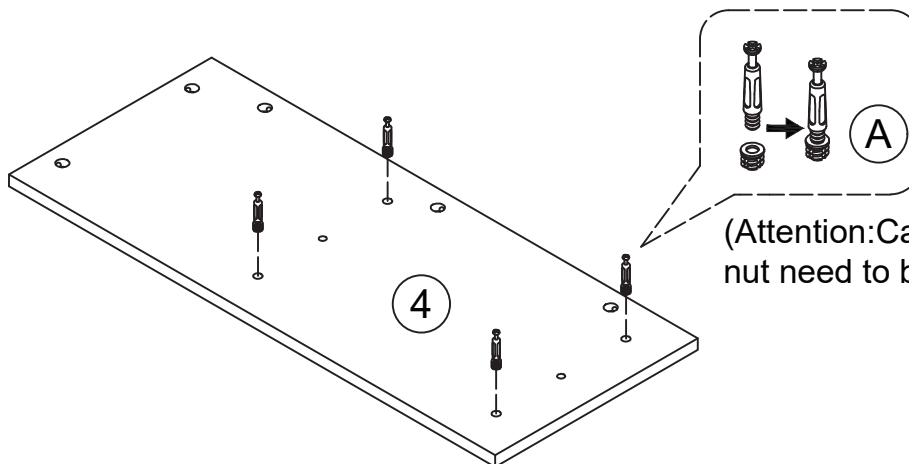
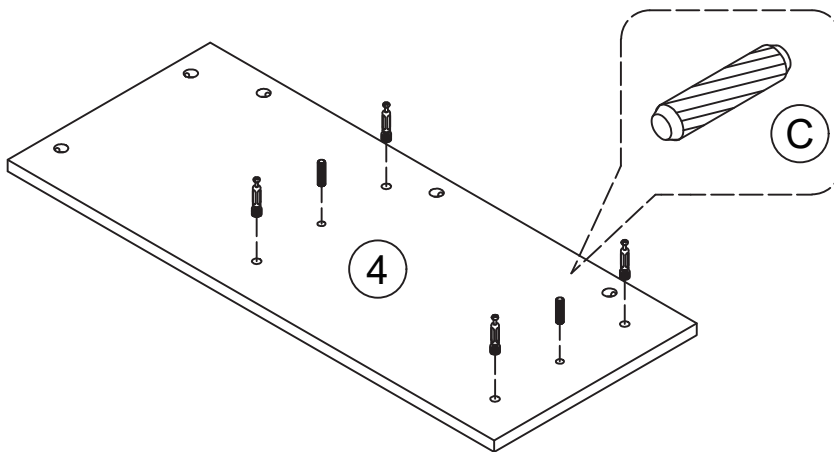
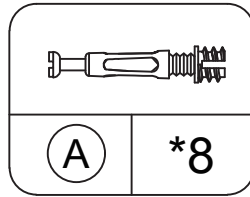
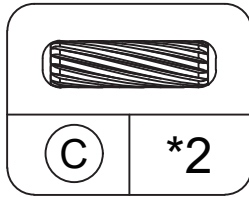
(Q) X10

HINGE

6

STEP 2

- Screw the cam bolt (A) into the panel (4).
- Insert wood dowels (C) into panel (4).

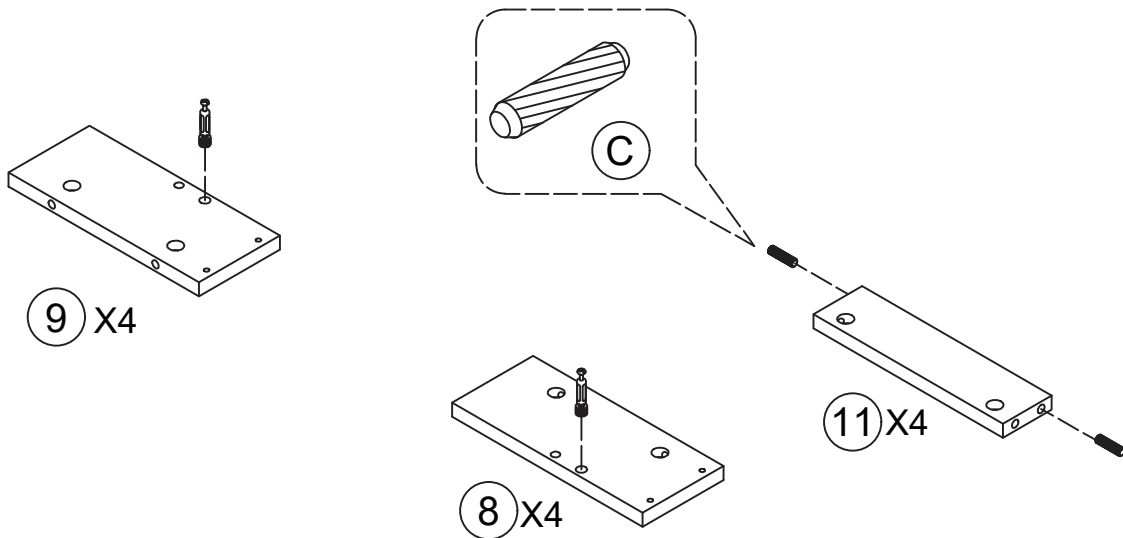
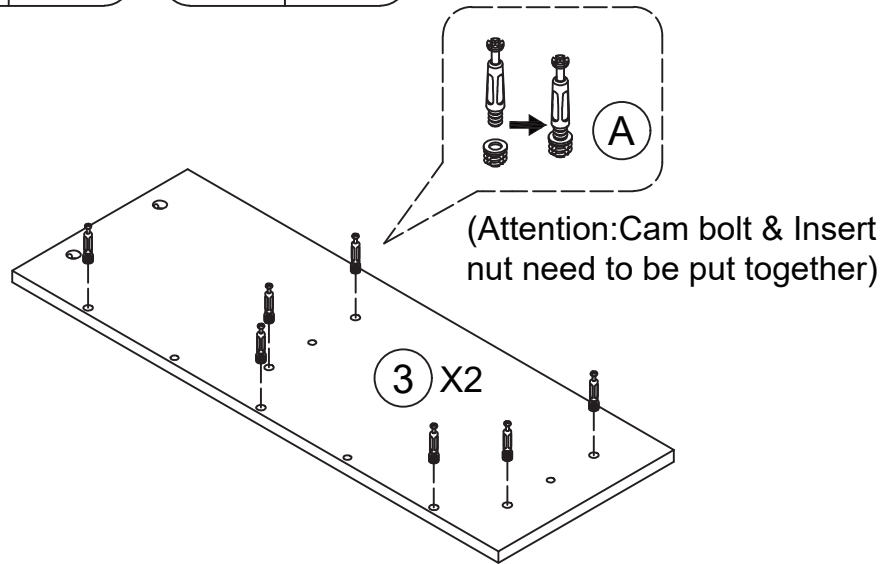
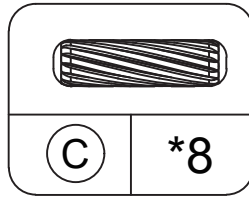
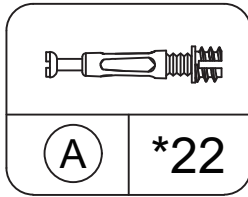


(Attention: Cam bolt & Insert nut need to be put together)

7

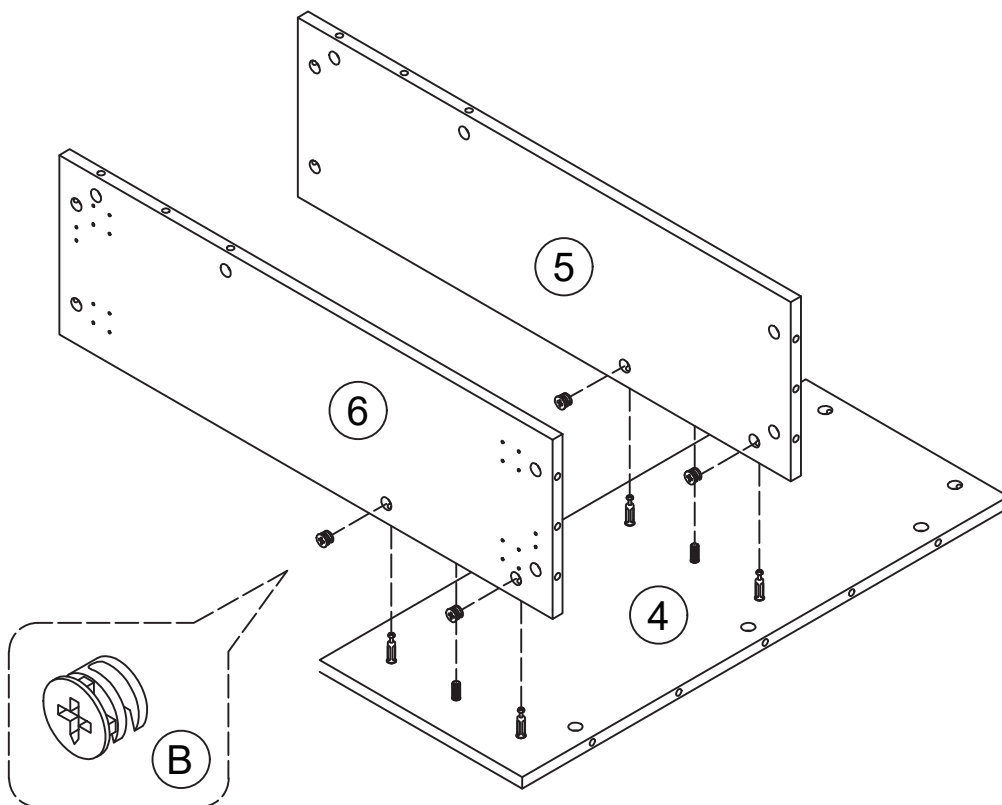
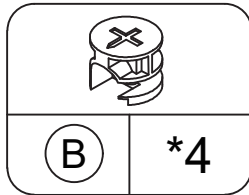
STEP 3

- Screw the cam bolt (A) into the panel (3) & (8) & (9).
- Insert wood dowels (C) into panel (11).



STEP 4

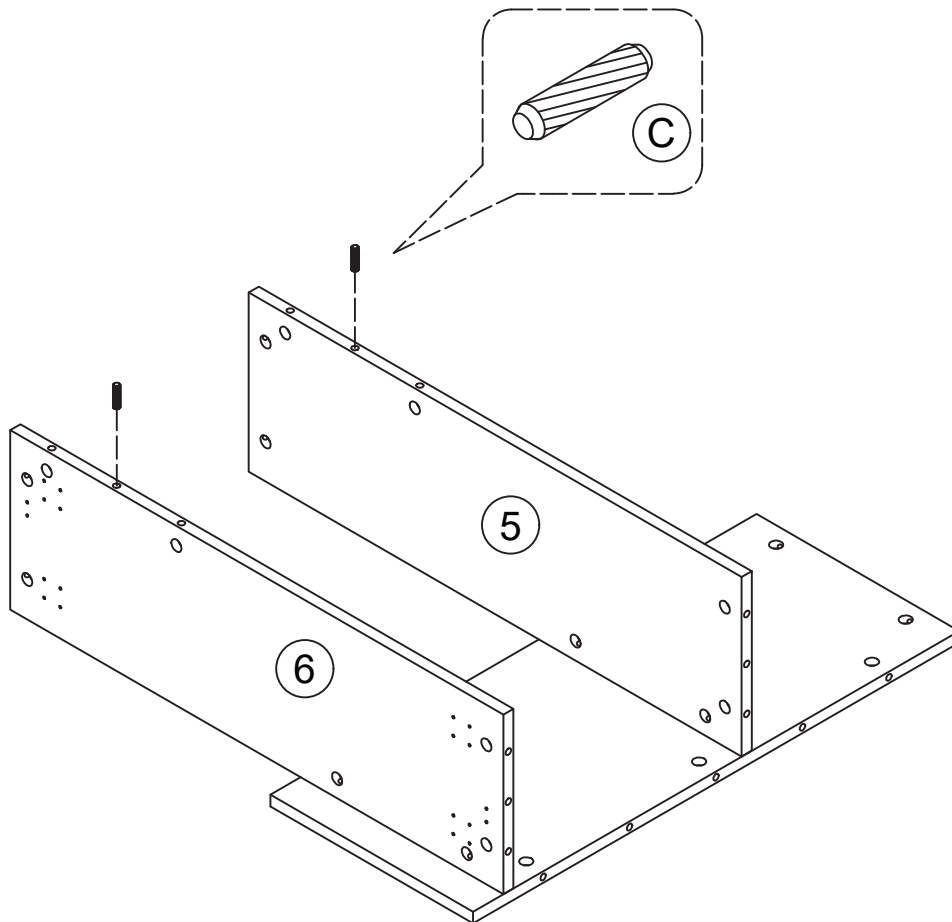
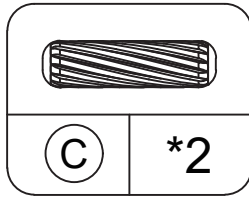
-Attach panel (5) & (6) to (4) and lock with cam (B).



9

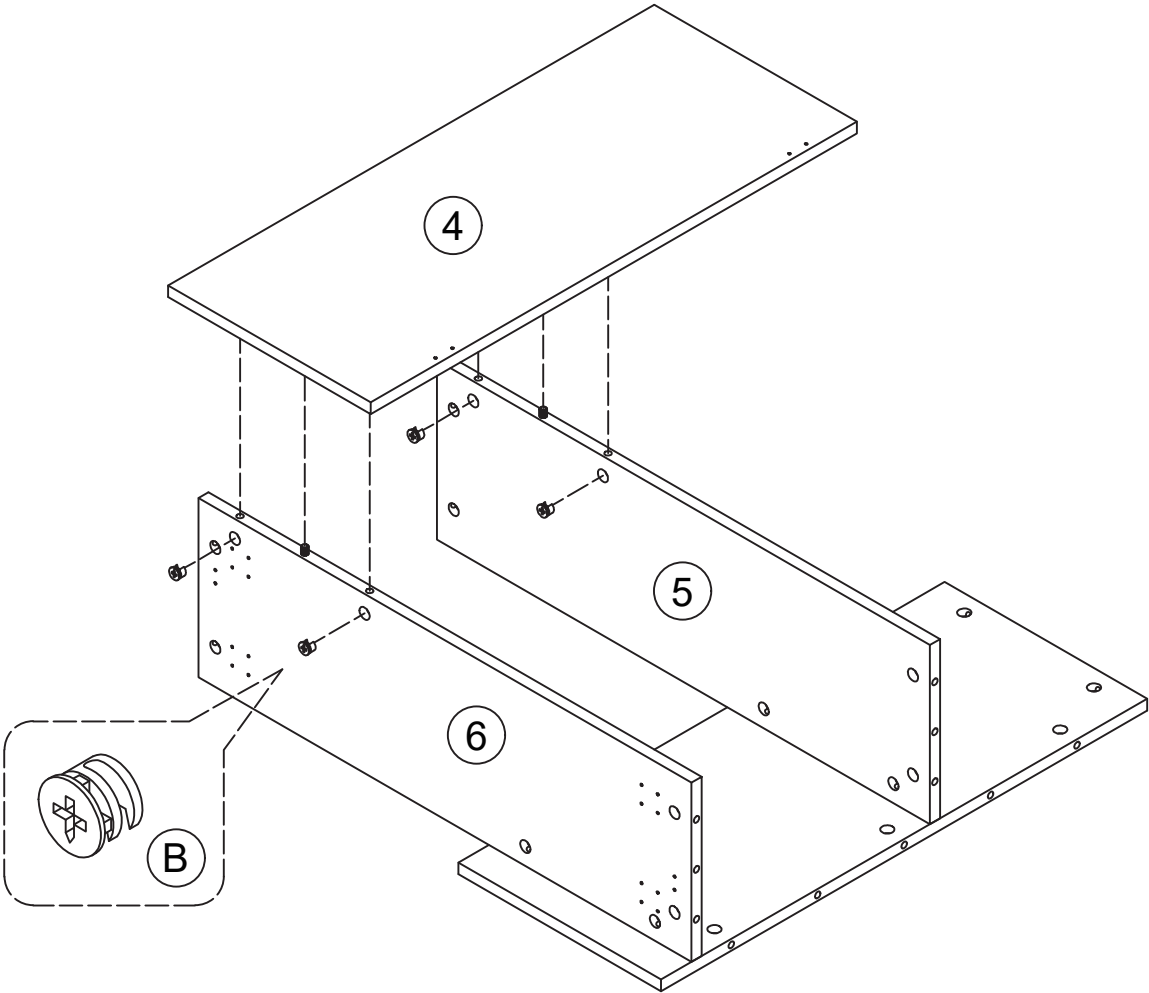
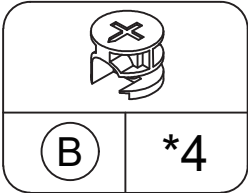
STEP 5

-Insert wood dowels (C) into panel (5) & (6) .



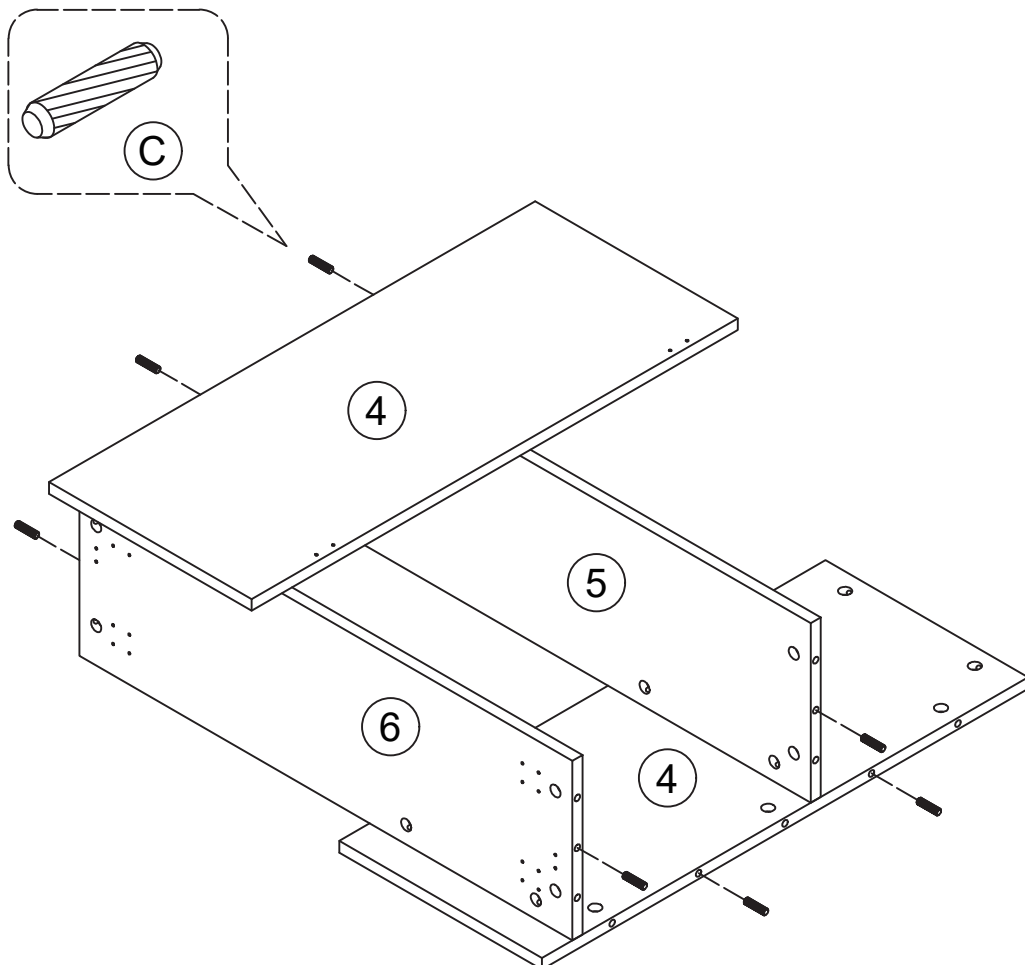
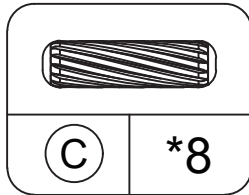
STEP 6

-Attach panel (4) to (5) & (6) and lock with cam (B).



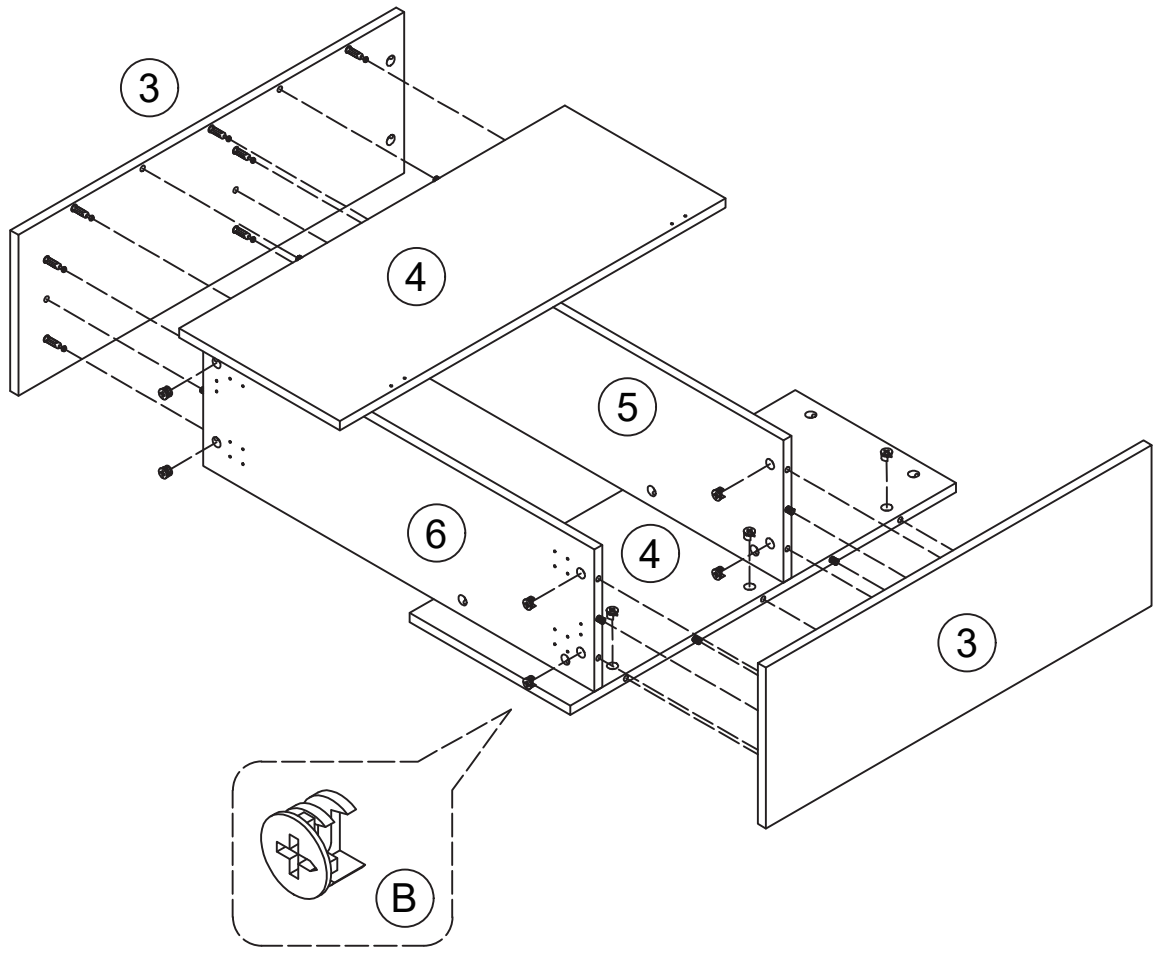
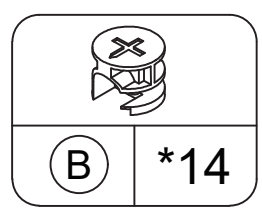
STEP 7

-Insert wood dowels (C) into panel (4) & (5) & (6) .



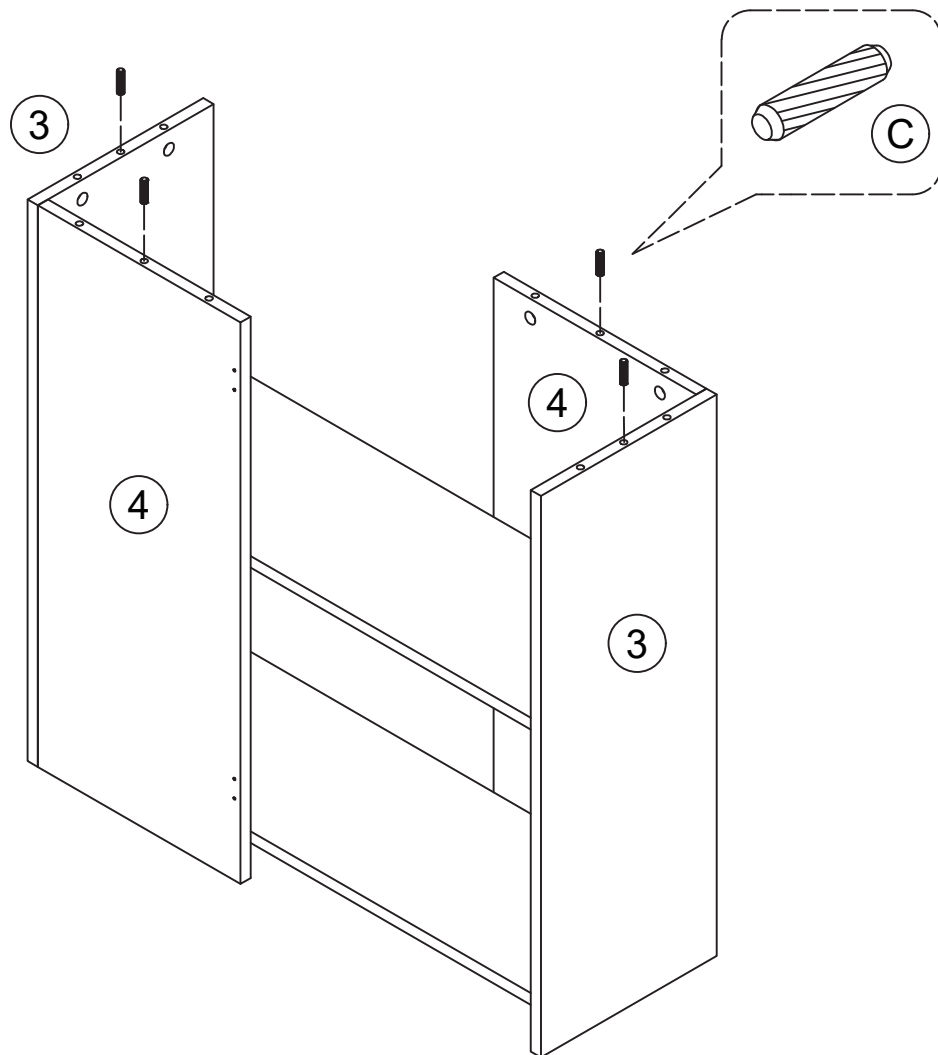
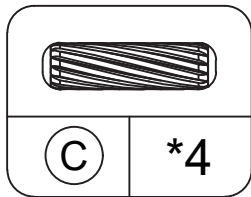
STEP 8

-Attach panel (3) to (4) & (5) & (6) and lock with cam (B).



STEP 9

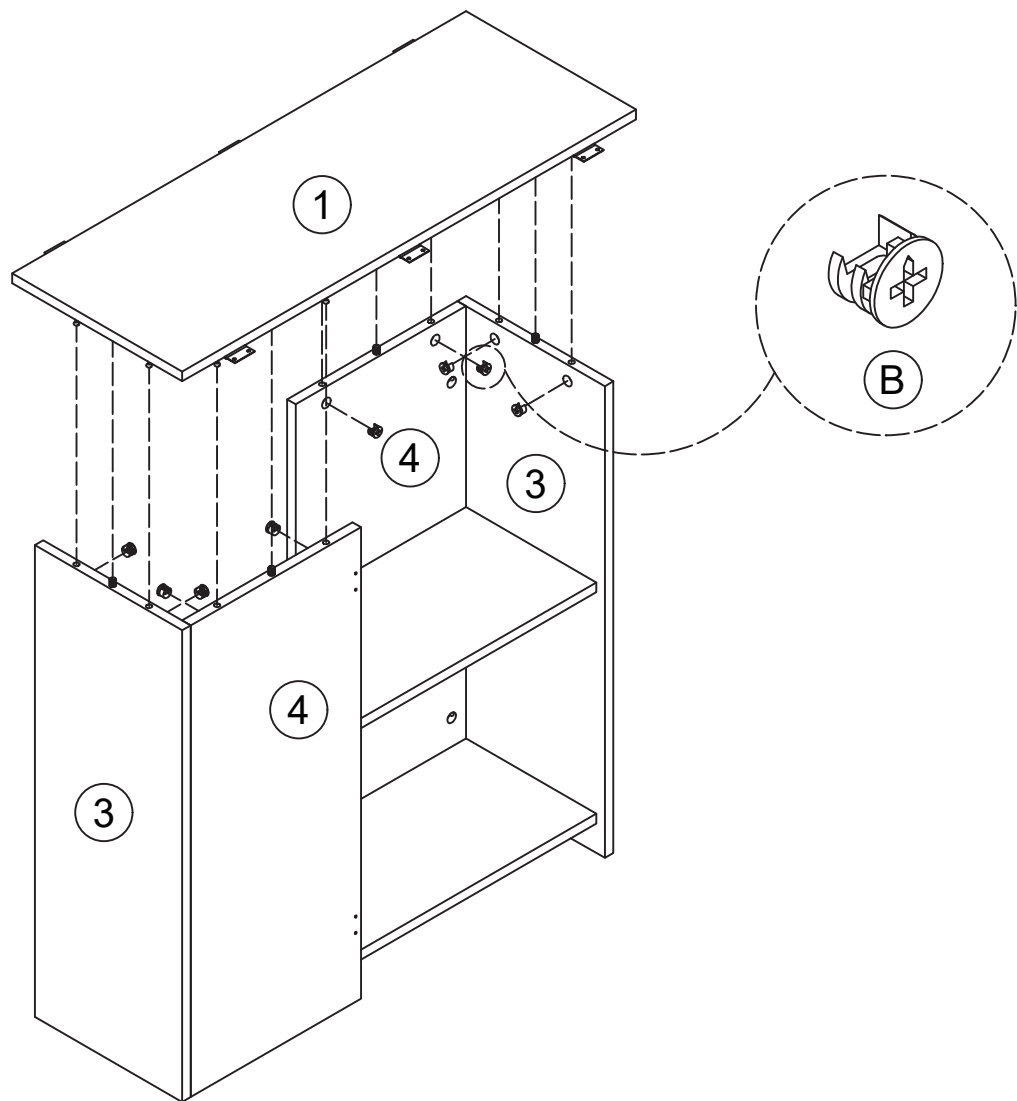
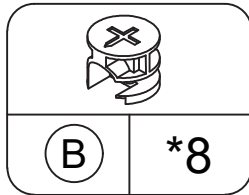
-Insert wood dowels (C) into panel (3) & (4) .



14

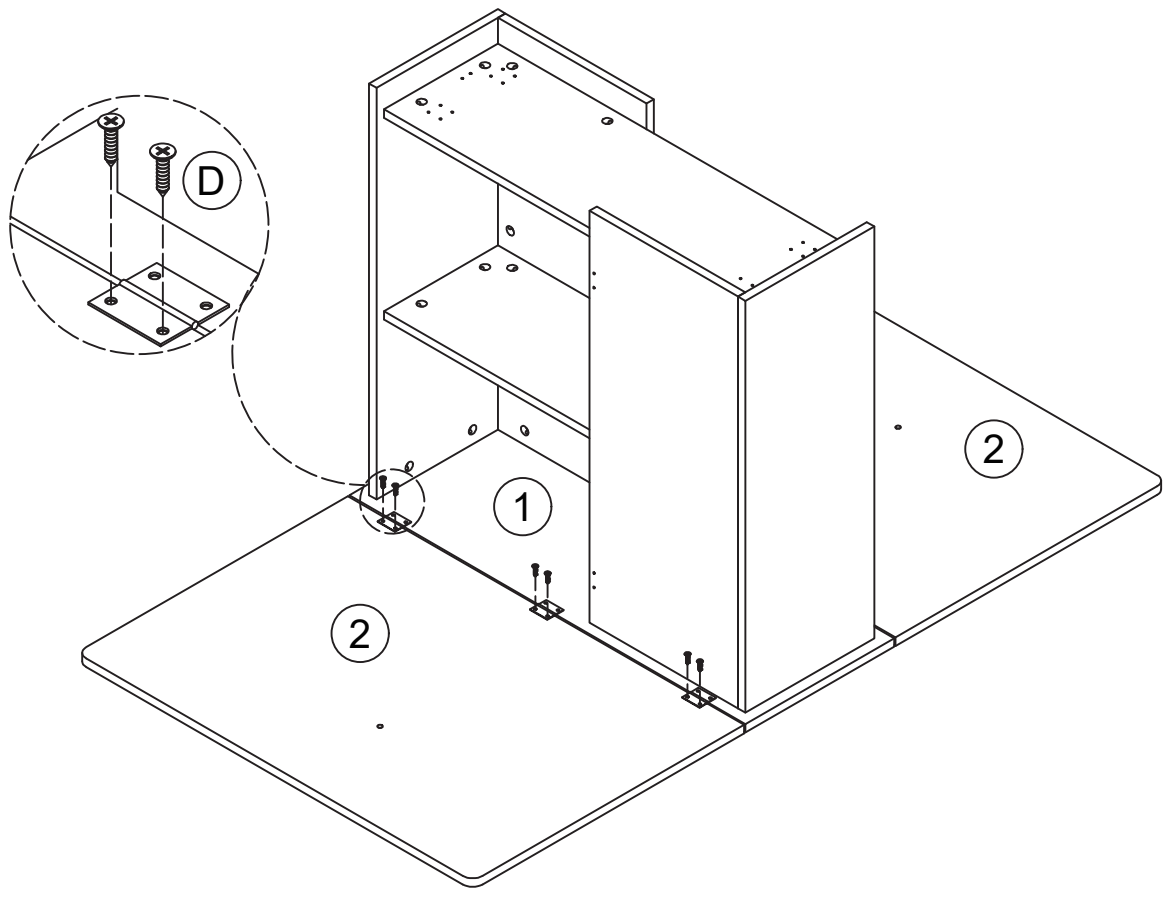
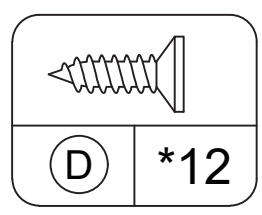
STEP 10

-Attach panel (1) to (3) & (4) and lock with cam (B).



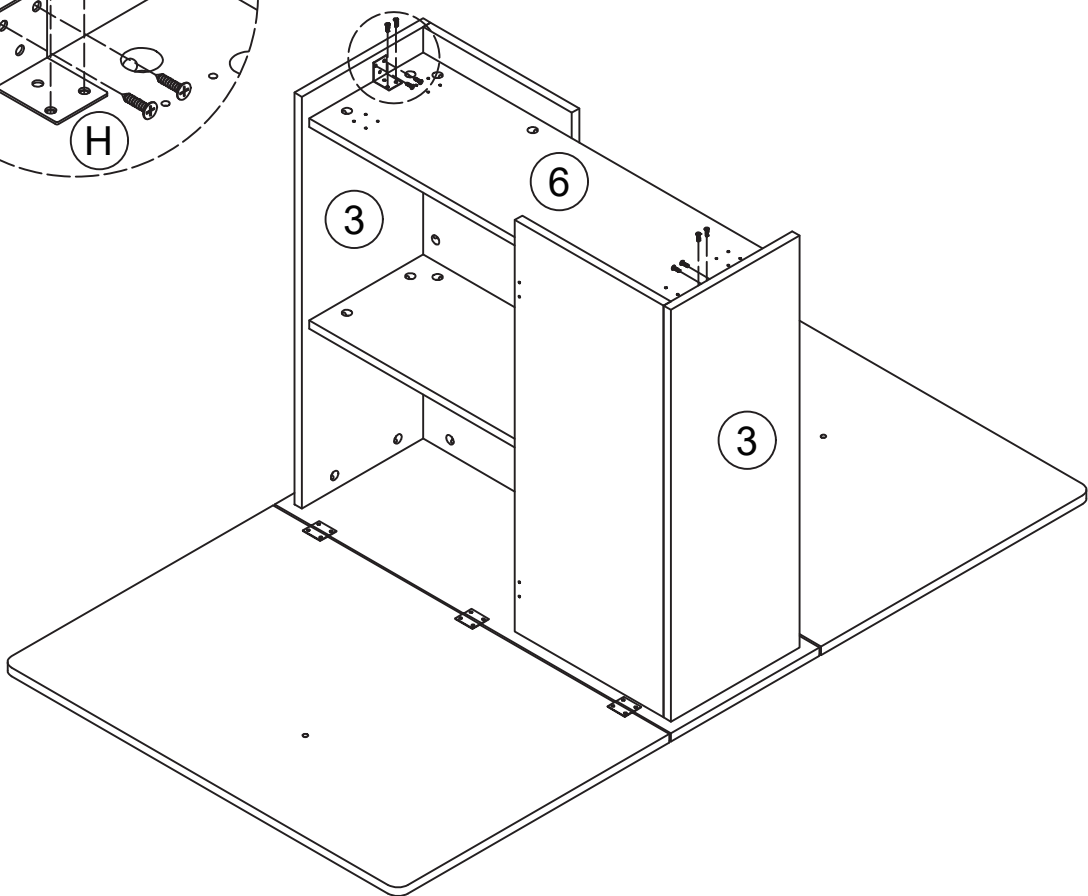
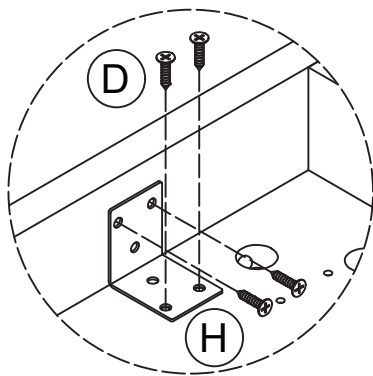
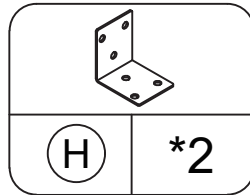
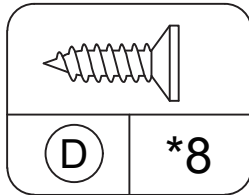
STEP 11

-Install hinge (Q) to panel (2) with screws (D).



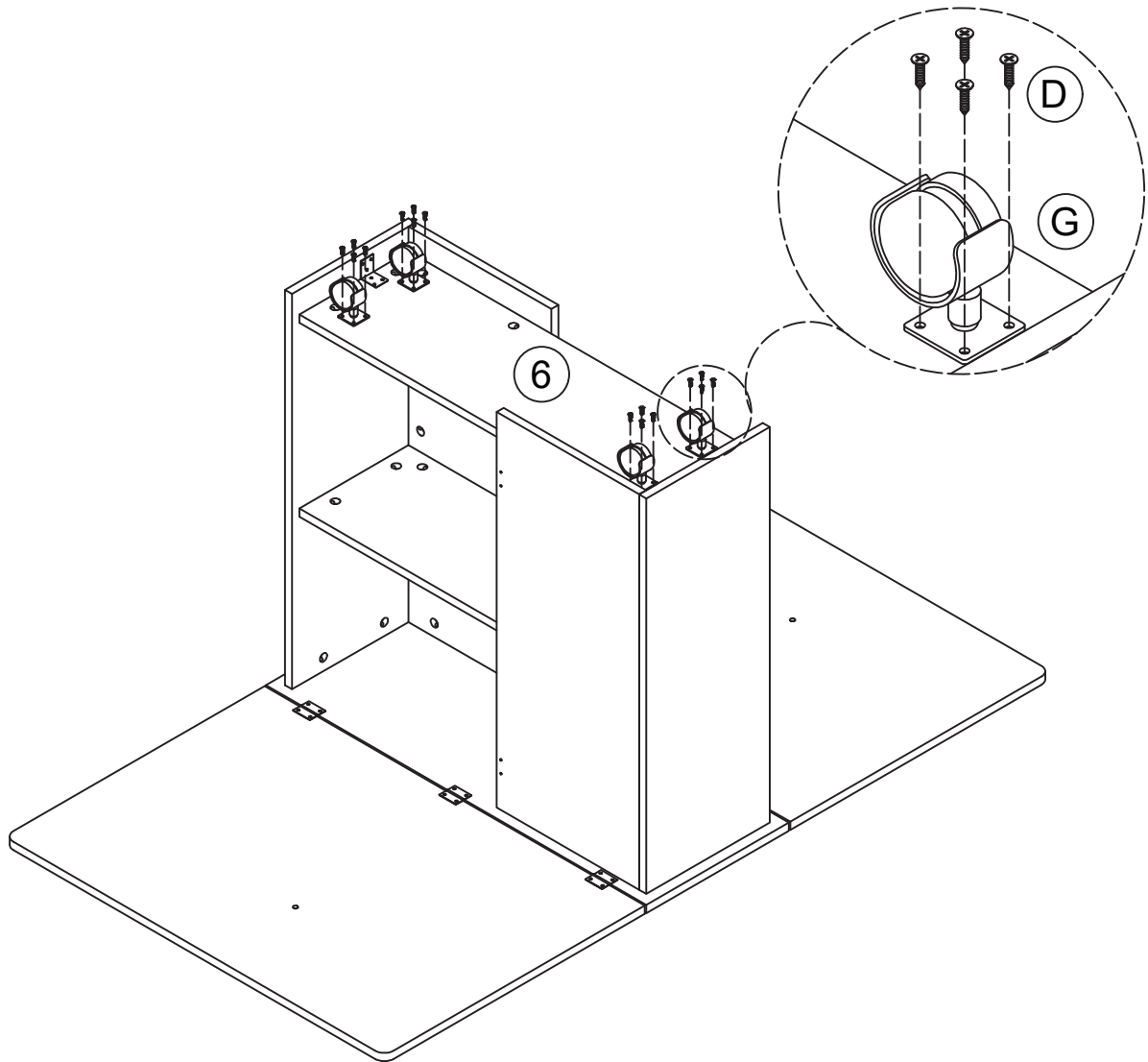
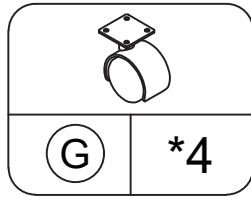
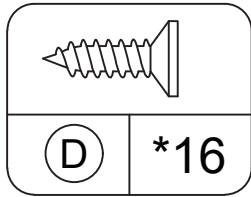
STEP 12

-Attach corner code (H) to plane (3) & (6) with screw (D)



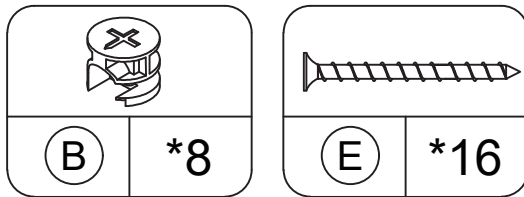
STEP 13

- Install pulley (G) to panel (6) with screws (D).

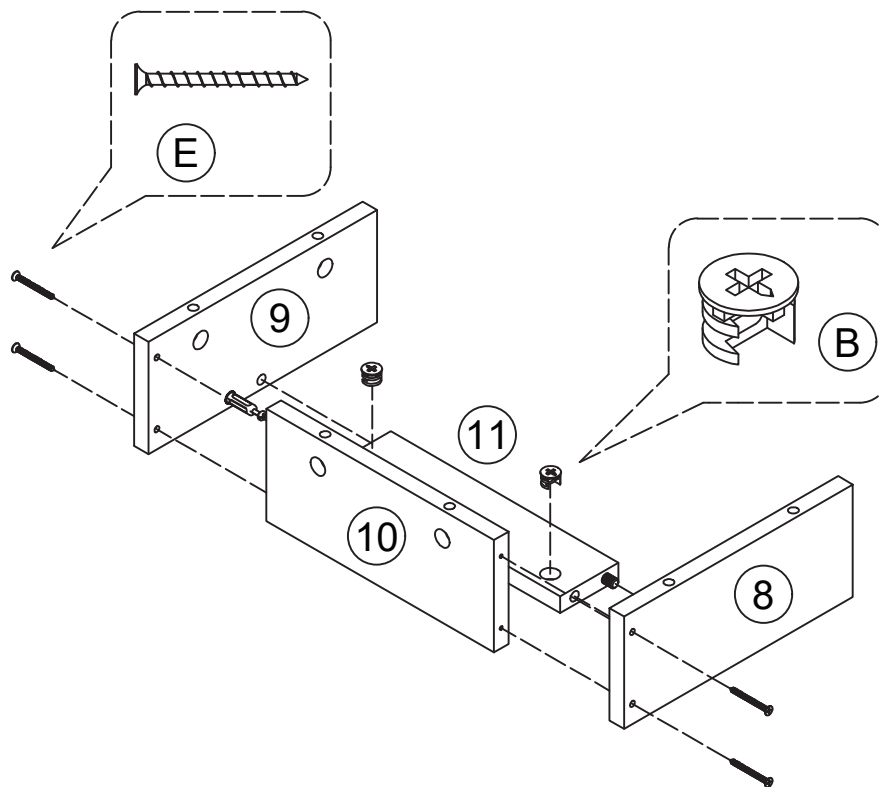


STEP 14

- Attach panel (8) & (9) to (11) and lock with cam (B).
- Attach panel (8) & (9) to (10) with screw (E).

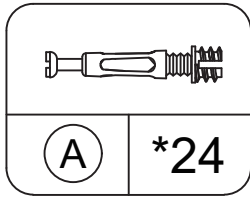


X4

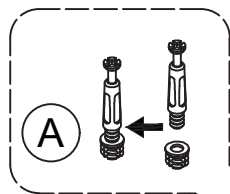


STEP 15

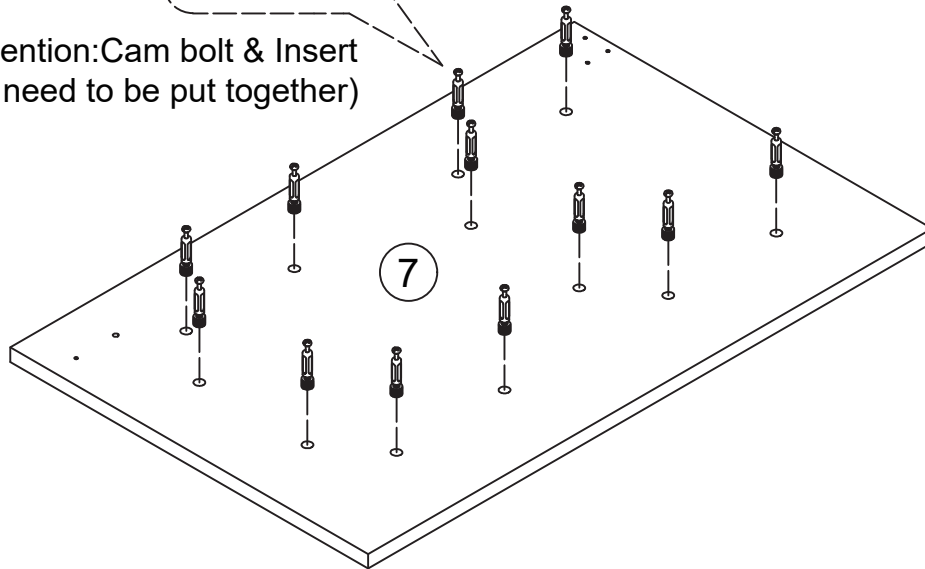
-Screw the cam bolt (A) into the panel (7).



X2

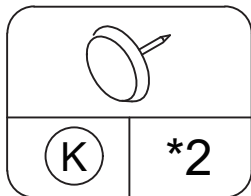
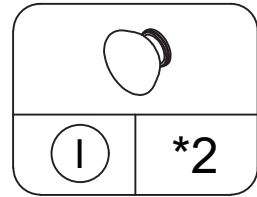
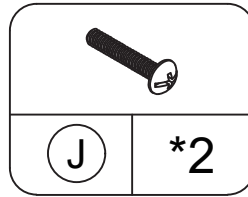
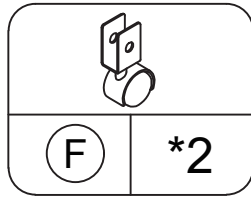
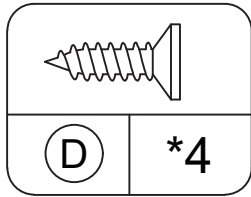


(Attention: Cam bolt & Insert nut need to be put together)

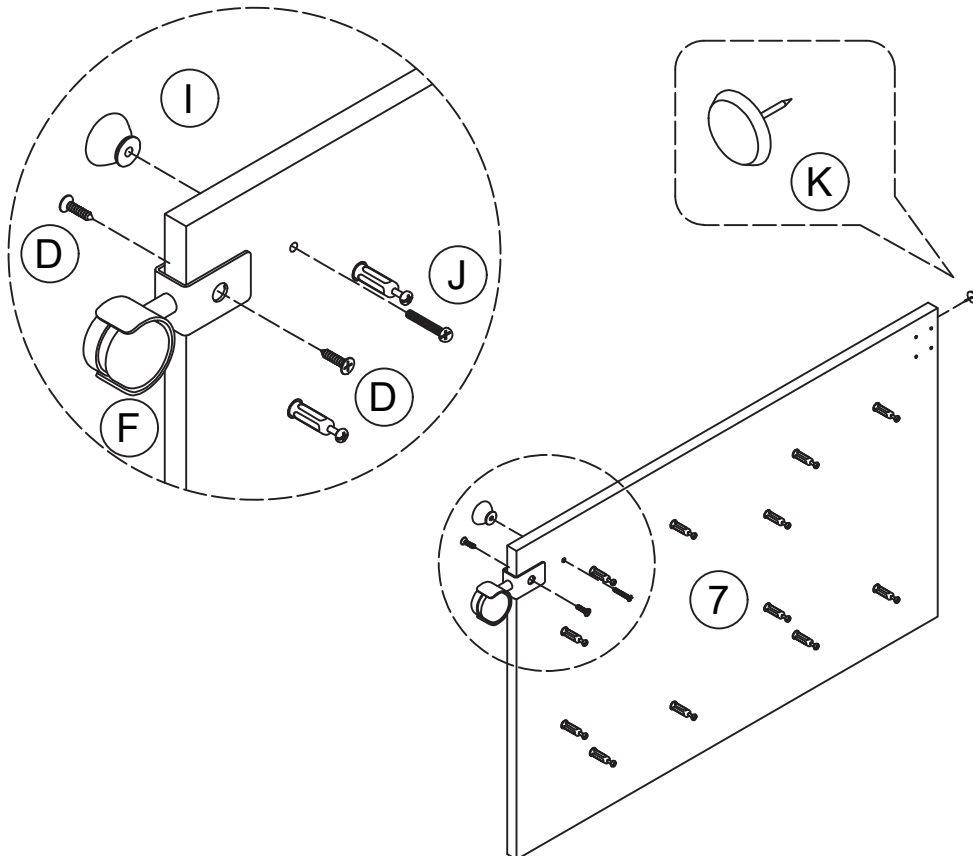


STEP 16

- Install handle (I) to panel (7) with bolts (J).
- Knock spikess (K) into panel (7) as below shown.
- Install pulley (F) to panel (7) with screws (D).

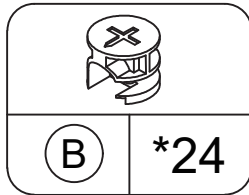
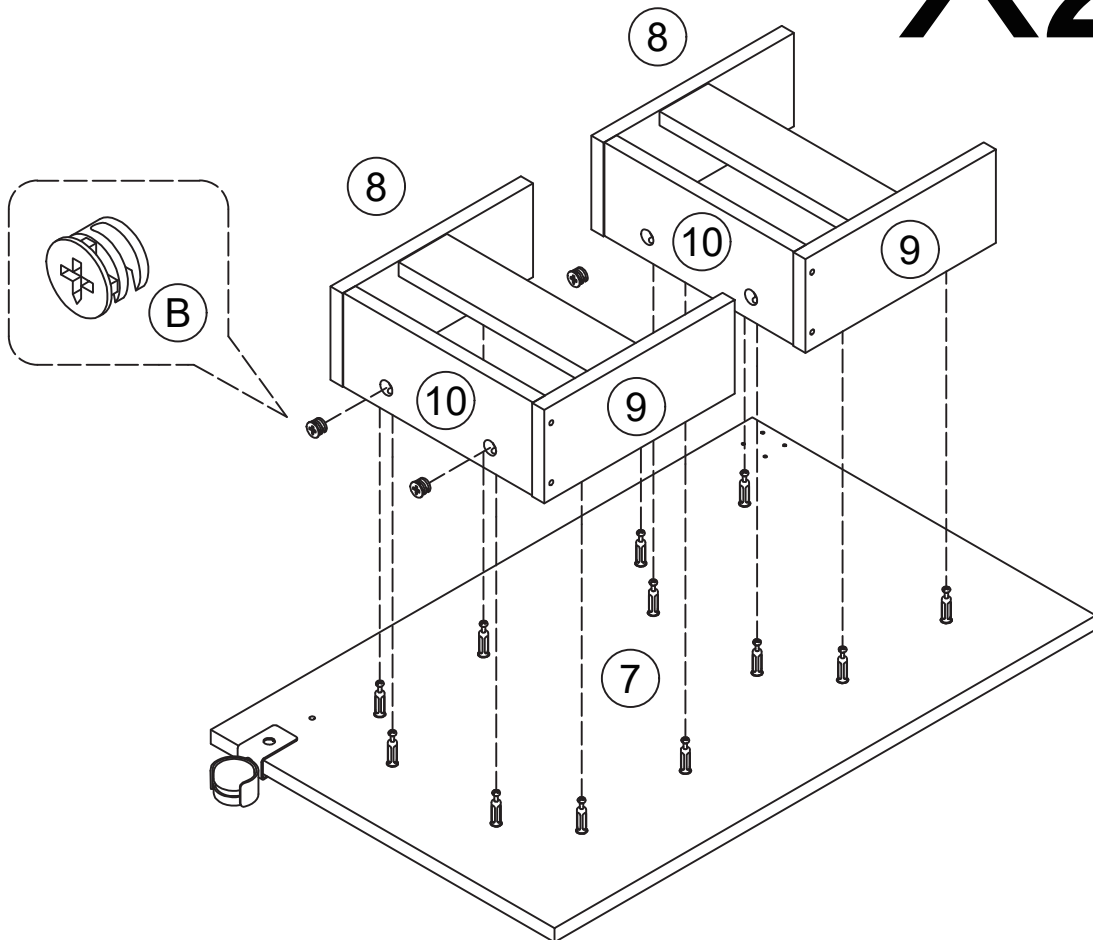


X2



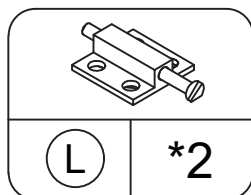
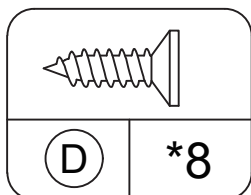
STEP 17

-Attach panel (8) & (9) & (10) to (7) and lock with cam (B).

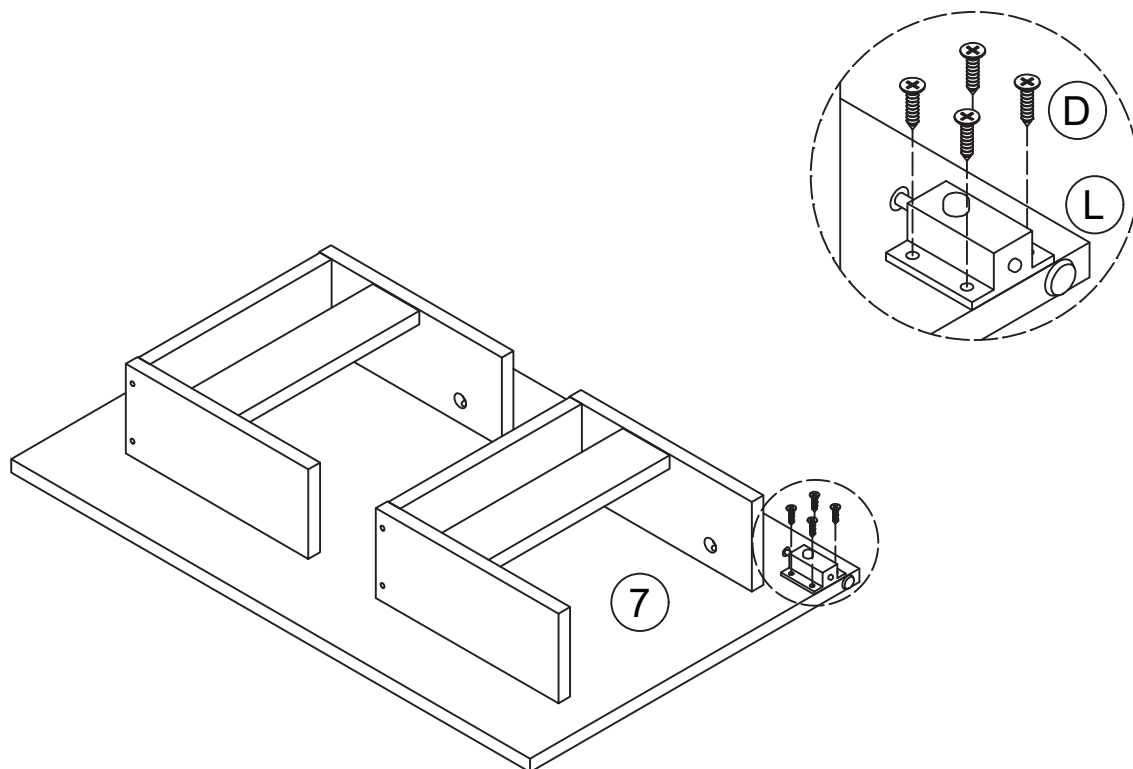
**X2**

STEP 18

-Install magnetic push latch (L) to panel (7) with screws (D).

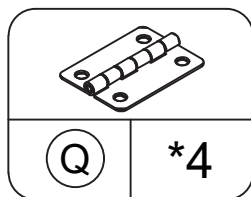
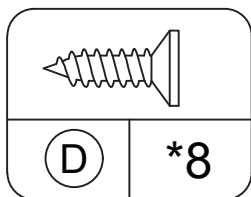
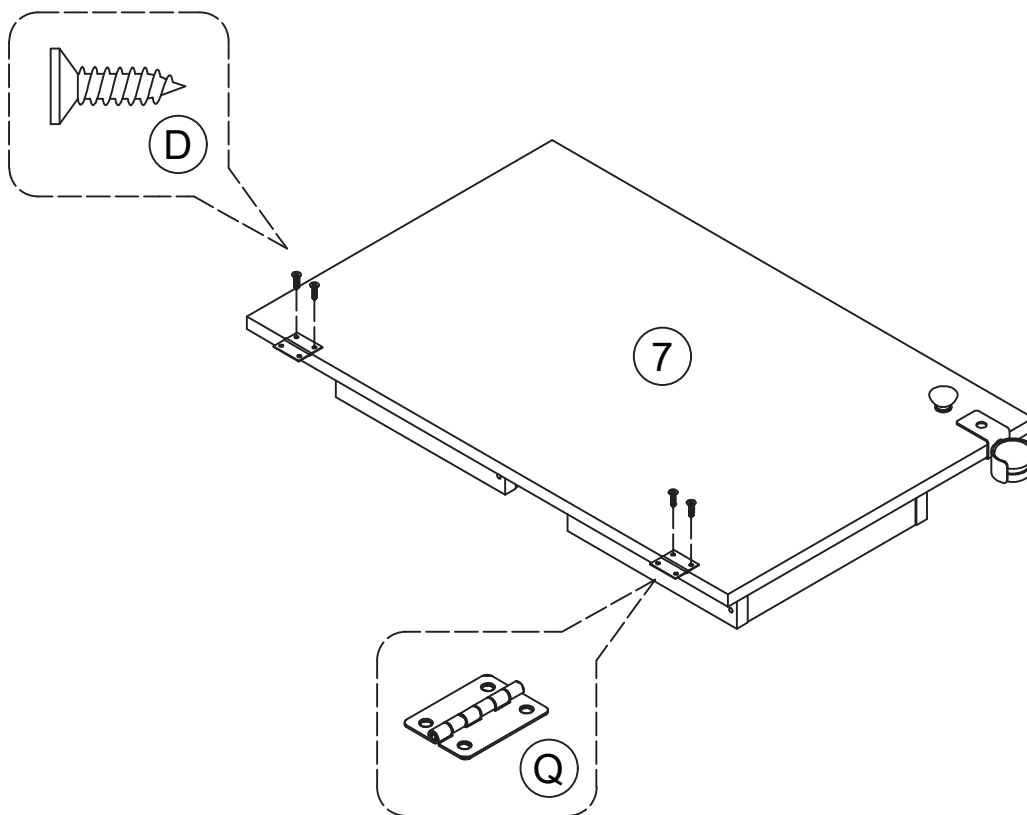


X2



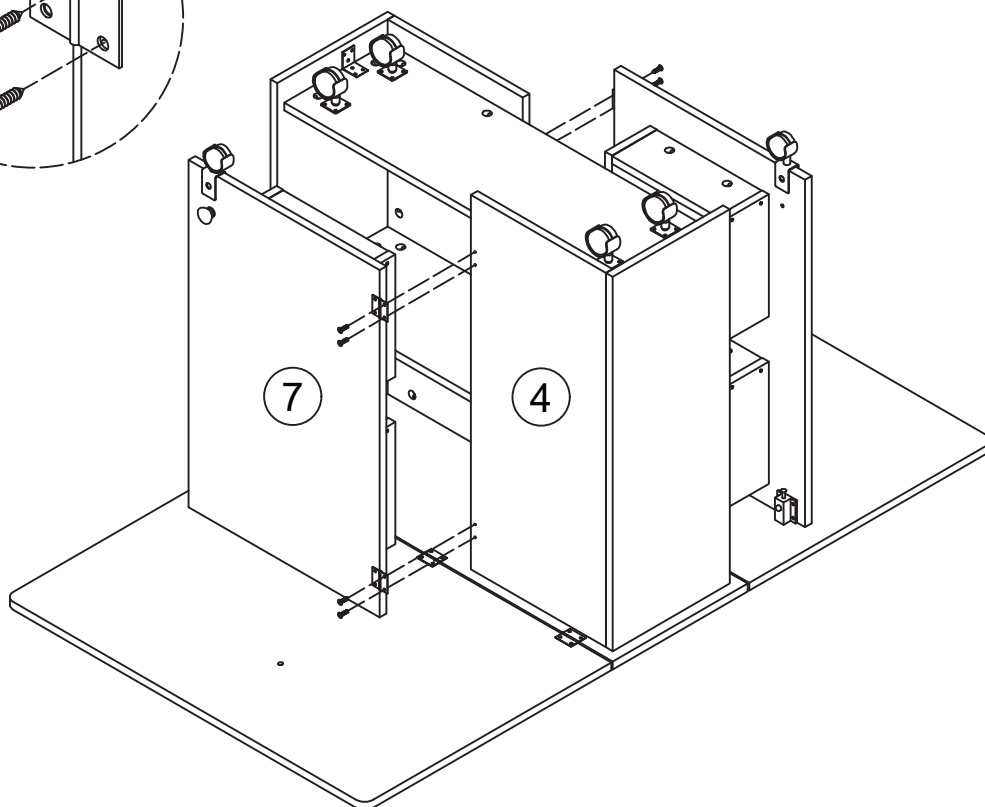
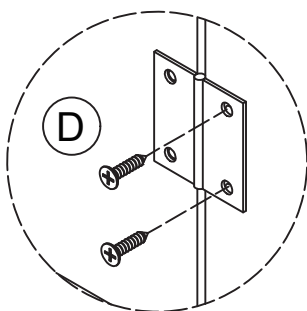
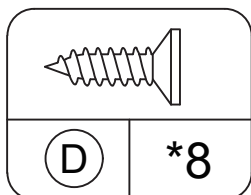
STEP 19

-Install hinge (Q) to panel (7) with screws (D).

**X2**

STEP 20

- Install hinge (Q) to panel (4) with screws (D).



STEP 21

-Installation complete.

