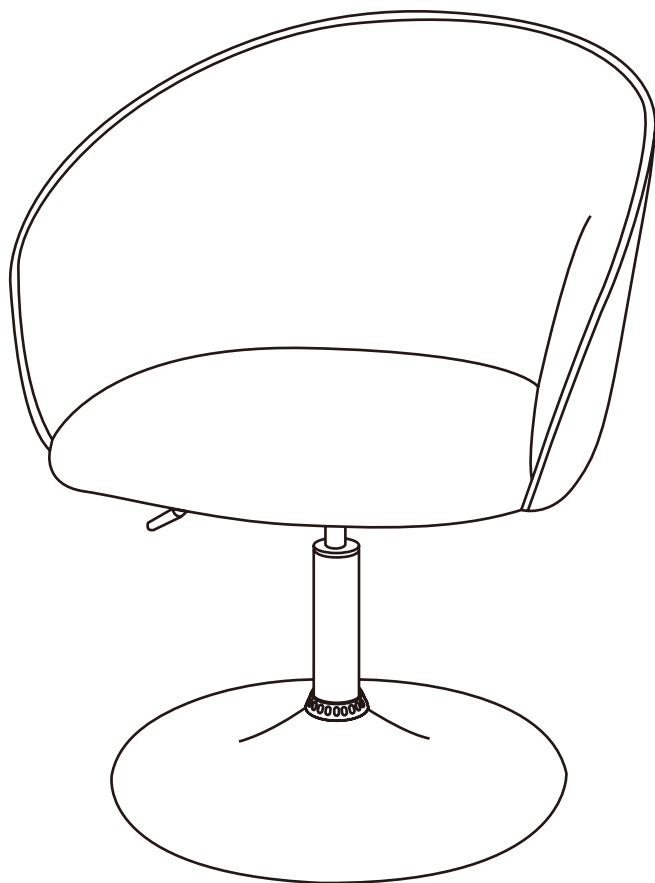
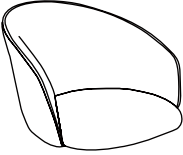
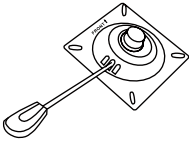

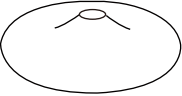

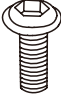



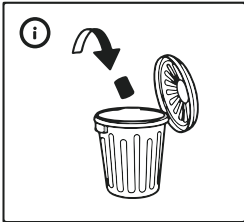
Barrel Chair



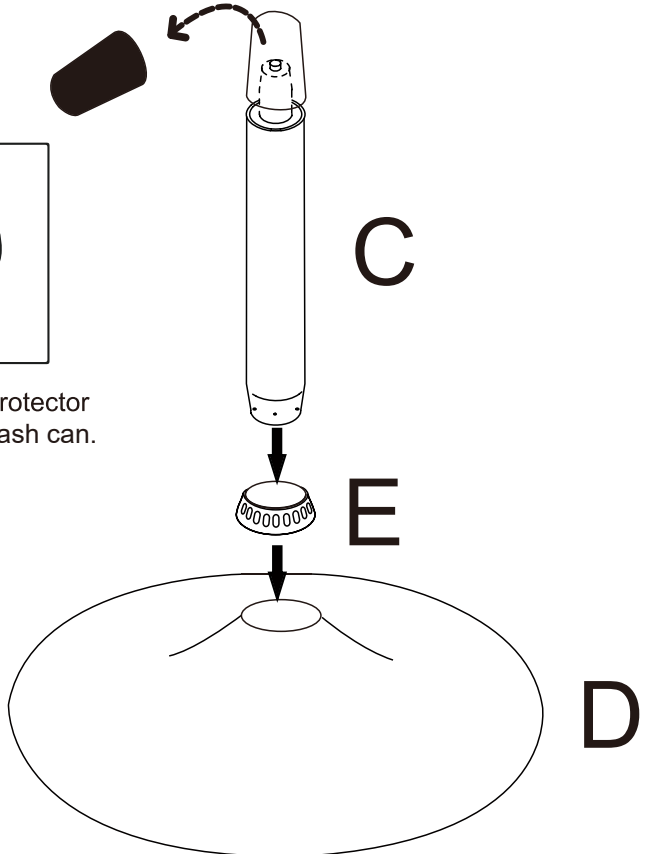
ASSEMBLY INSTRUCTION

| | | | |
|--|---|--|---|
| A ×1  | B ×1  | C ×1  | D ×1  |
| E ×1  | F ×4  M6×20mm | G ×1  M6 | |

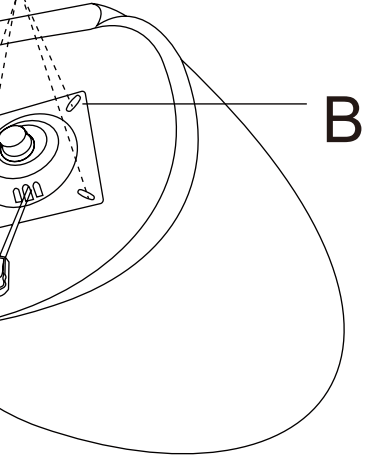
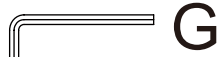
1



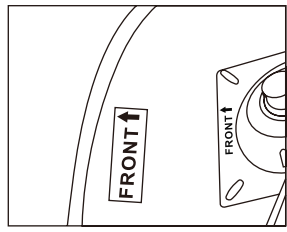
Take off the gas lift protector cap and throw into trash can.



2



Attention: All the screws in, and then tighten them.



3

