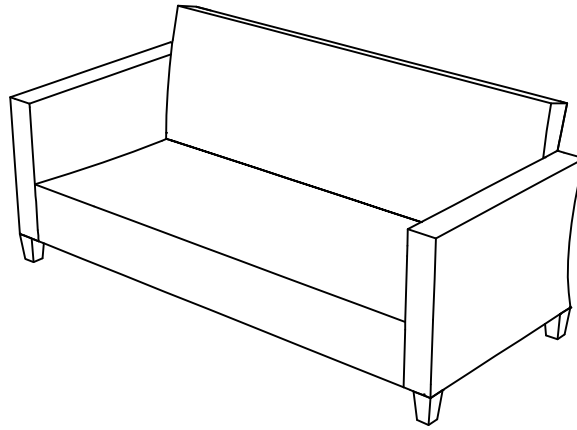


Assembly Instruction

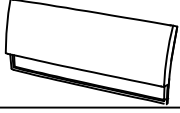


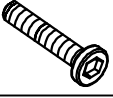
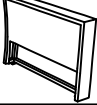

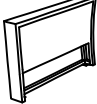

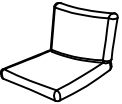








Advice:

1. Power tools are suggested to be used during installation.
2. More than one person may be required to assemble this product.
3. The best advice is not tightening up any screws until the whole piece is assembled. If having difficulty aligning holes, loosen the screws already installed and readjust the armrest.
4. To avoid mess-up or mismatch, please use the hardware of each box to install the furniture in the same box.

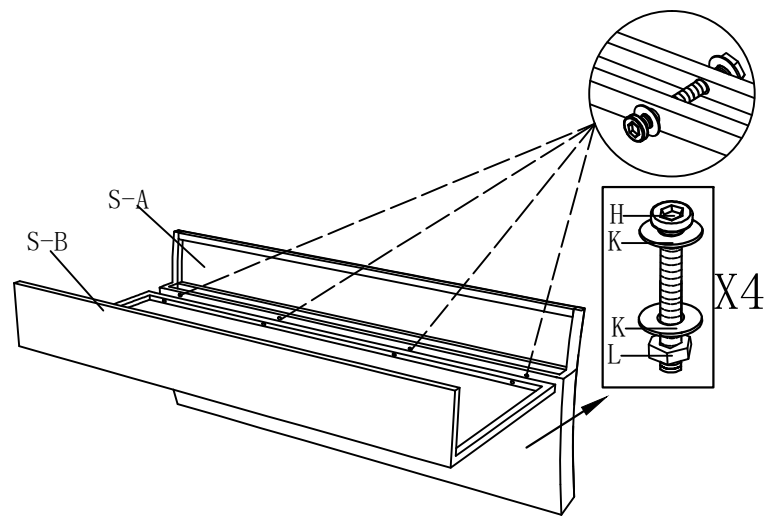


3-Seat Sofa

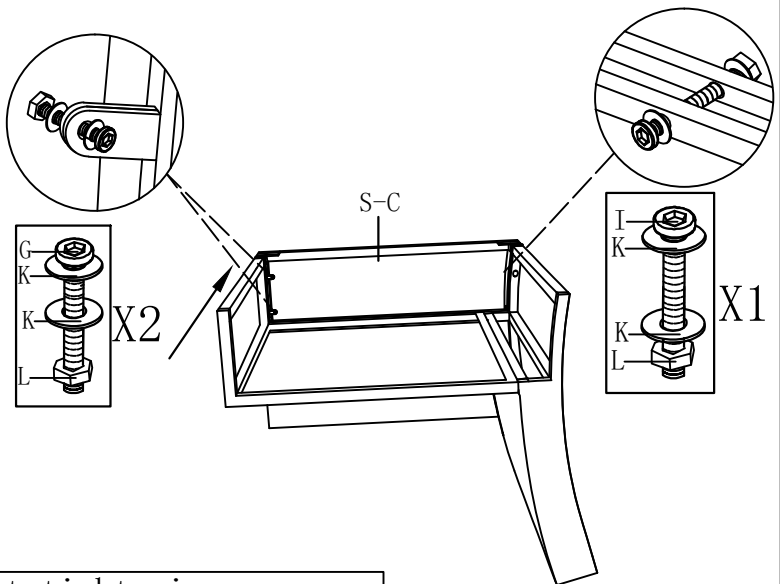
Parts List

Part Number	Picture	Description	QTY	Part Number	Picture	Description	QTY
S-A		Sofa Back	1	I		Screw (M6*60)	2
S-B		Sofa Seat	1	J		Screw (M6*95)	2
S-C		Right Arm	1	K		Washer (M6)	22
S-D		Left Arm	1	L		Nut (M6)	10
S-E		Seat and Back Cushion	3	M		Nut (M8)	4
F		Sofa Leg	4	N		Allen Key	1
G		Screw (M6*35)	4	O		Wrench (M8)	1
H		Screw (M6*75)	4	P		Wrench (M6)	1
				Q		Washer (M8)	4

STEP 1

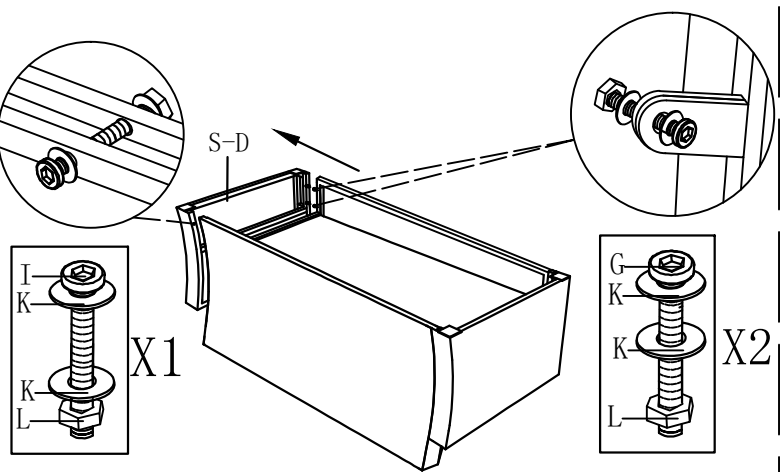


STEP 2

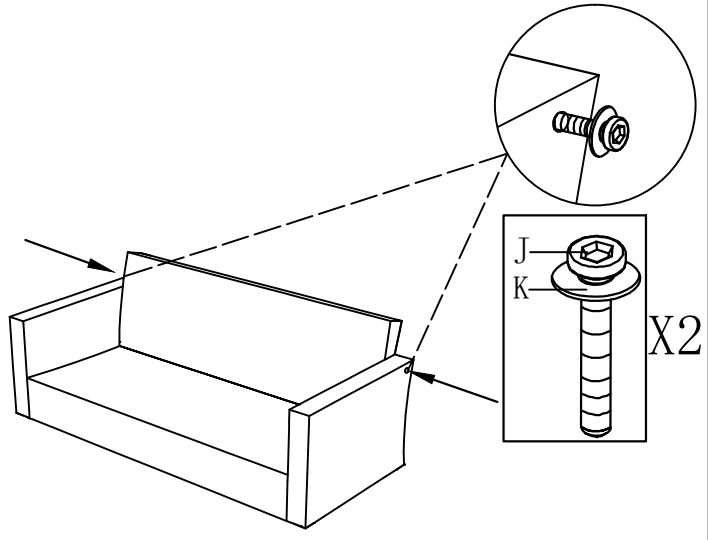


The best advice is not tightening up any screws until the whole piece is assembled.

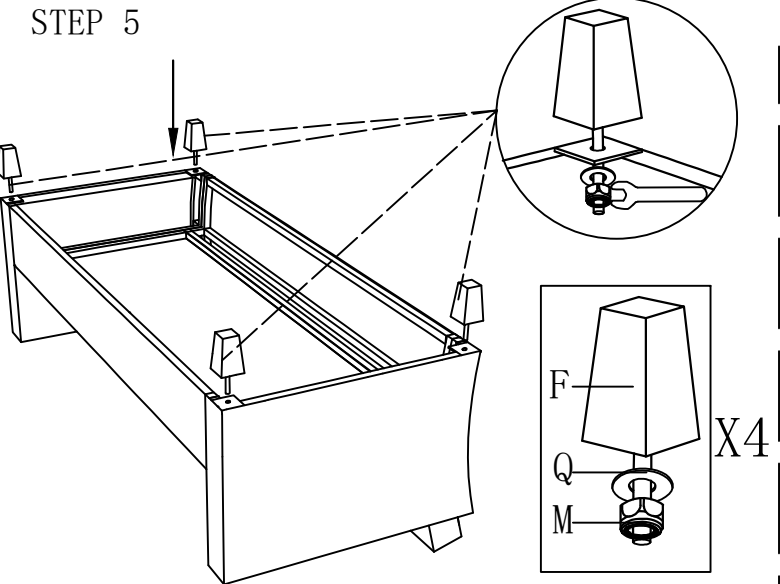
STEP 3



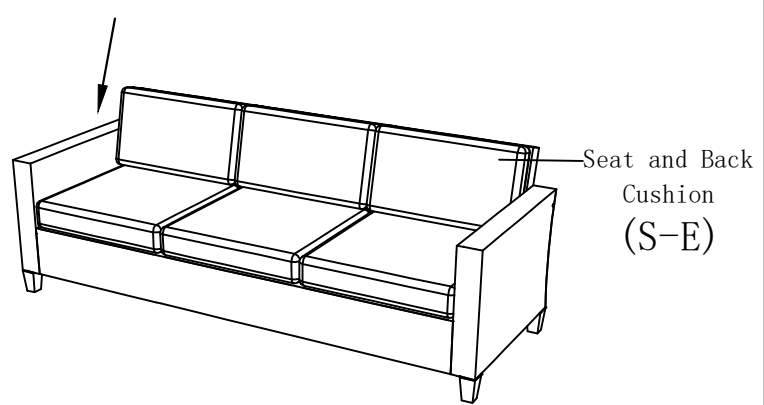
STEP 4



STEP 5



FINISH



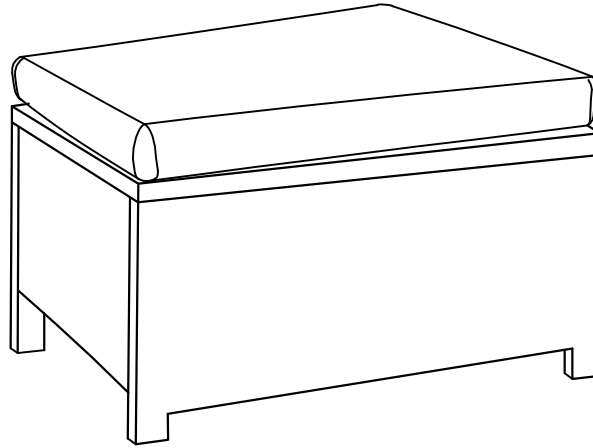
It is recommended to tighten the anti-slip screws with your own M8 wrench.

Please tap the cushions and wait 48 to 72 hours to fully rebound

Assembly Instruction




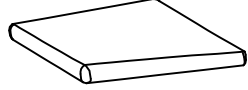



Advice:

1. Power tools are suggested to be used during installation.
2. More than one person may be required to assemble this product.
3. The best advice is not tightening up any screws until the whole piece is assembled. If having difficulty aligning holes, loosen the screws already installed and readjust the armrest.
4. To avoid mess-up or mismatch, please use the hardware of each box to install the furniture in the same box.

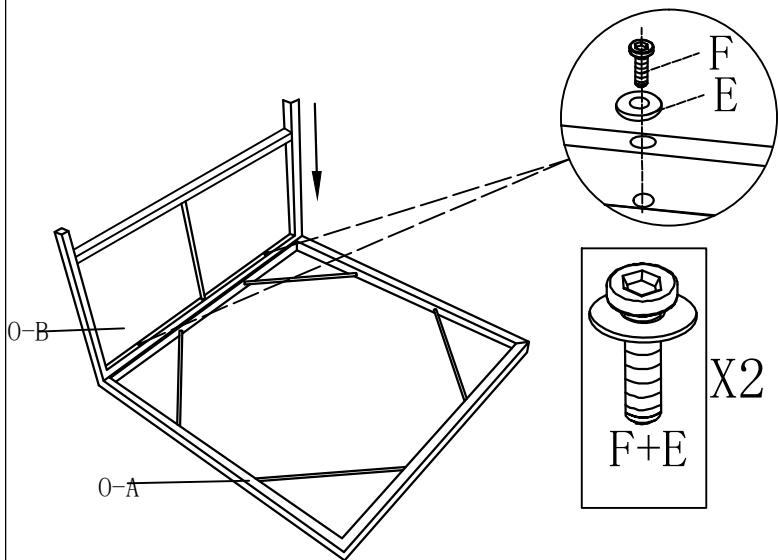


Ottoman

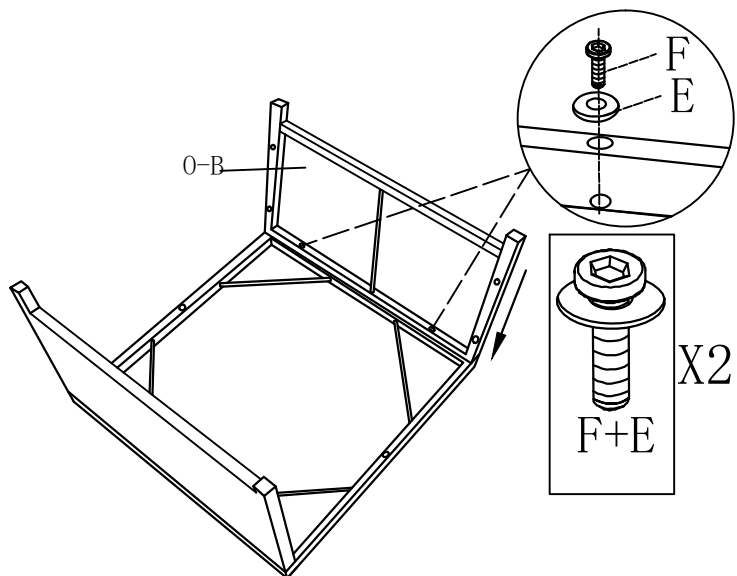
Parts List

Part Number	Picture	Description	QTY
0-A		Top Panel	1
0-B		Side Panel with Legs	2
0-C		Side Panel without Legs	2
0-D		Cushion	1
E		Washer (M6)	14
F		Screw (M6*35)	14
G		Allen Key	1

STEP 1

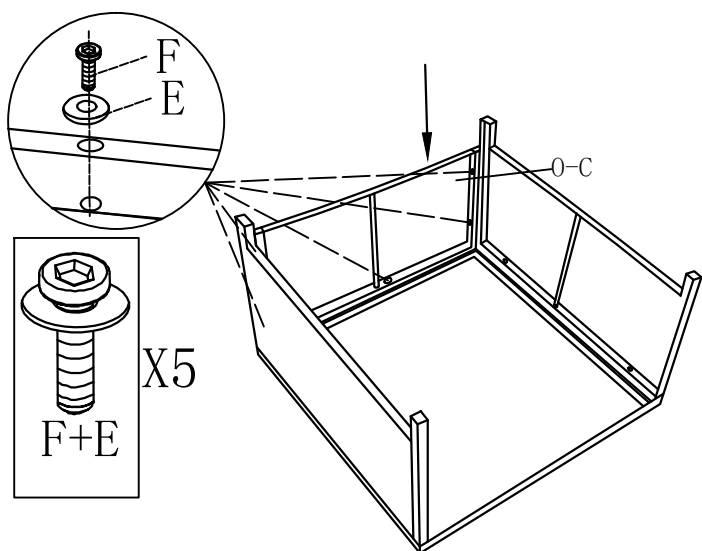


STEP 2

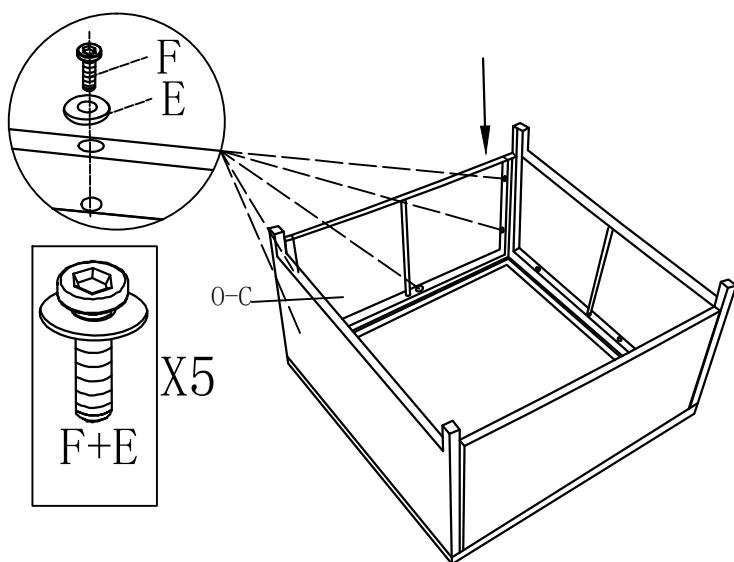


The best advice is not tightening up any screws until the whole piece is assembled.

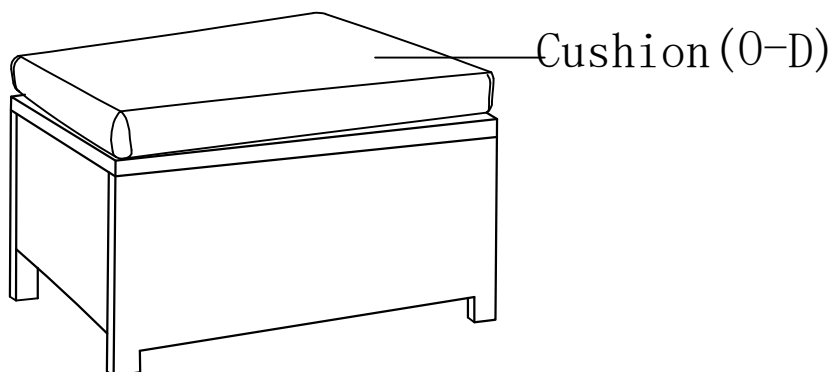
STEP 3



STEP 4



FINISH

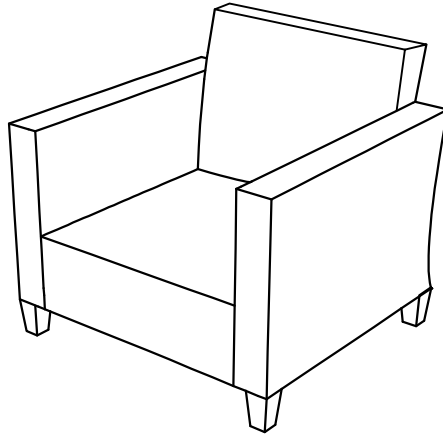


Please tap the cushions and wait 48 to 72 hours to fully rebound

Assembly Instruction

Advice:

1. Power tools are suggested to be used during installation.
2. More than one person may be required to assemble this product.
3. The best advice is not tightening up any screws until the whole piece is assembled. If having difficulty aligning holes, loosen the screws already installed and readjust the armrest.
4. To avoid mess-up or mismatch, please use the hardware of each box to install the furniture in the same box.

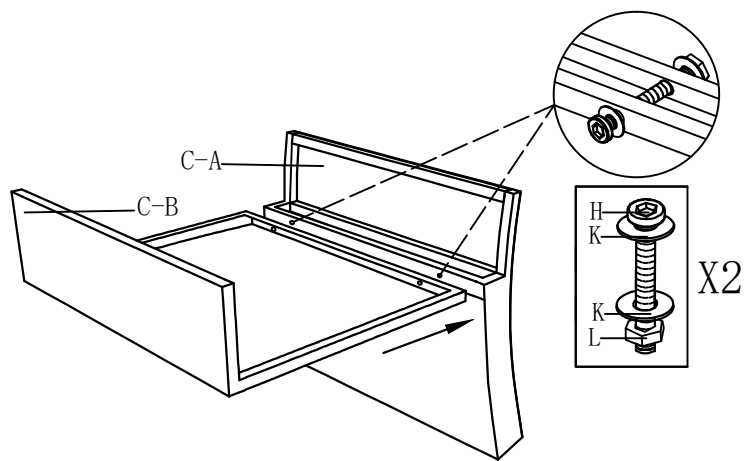


Single Chair

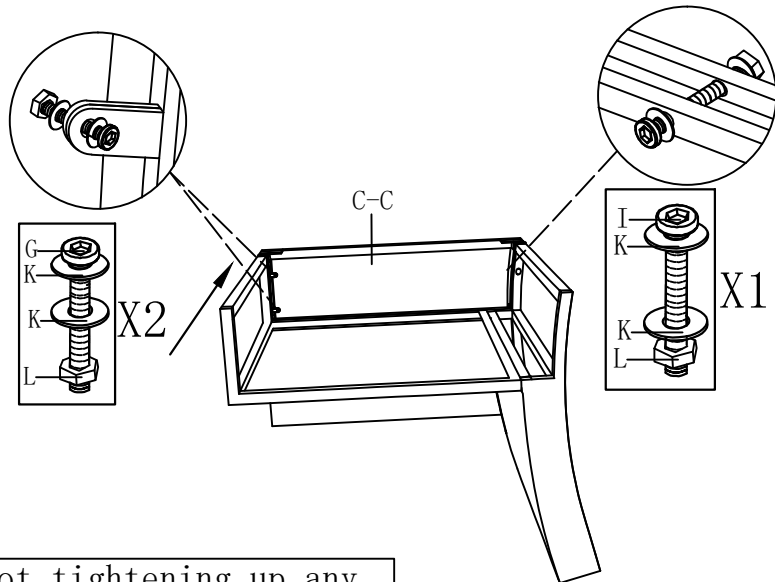
Parts List

Part Number	Picture	Description	QTY	Part Number	Picture	Description	QTY
C-A		Chair Back	1	I		Screw (M6*60)	2
C-B		Chair Seat	1	J		Screw (M6*95)	2
C-C		Right Arm	1	K		Washer (M6)	18
C-D		Left Arm	1	L		Nut (M6)	8
C-E		Seat and Back Cushion	1	M		Nut (M8)	4
F		Sofa Leg	4	N		Allen Key	1
G		Screw (M6*35)	4	O		Wrench (M8)	1
H		Screw (M6*65)	2	P		Wrench (M6)	1
				Q		Washer (M8)	4

STEP 1

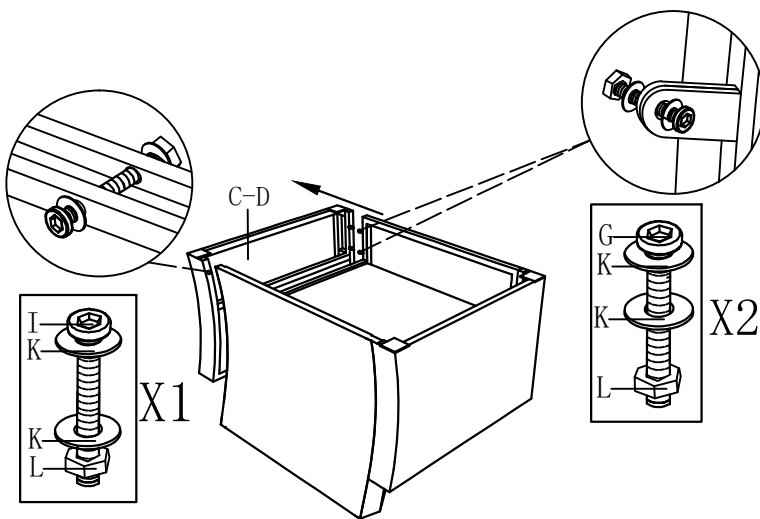


STEP 2

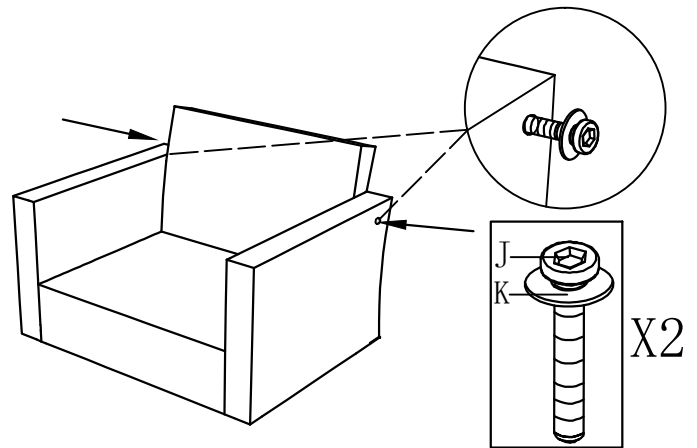


The best advice is not tightening up any screws until the whole piece is assembled.

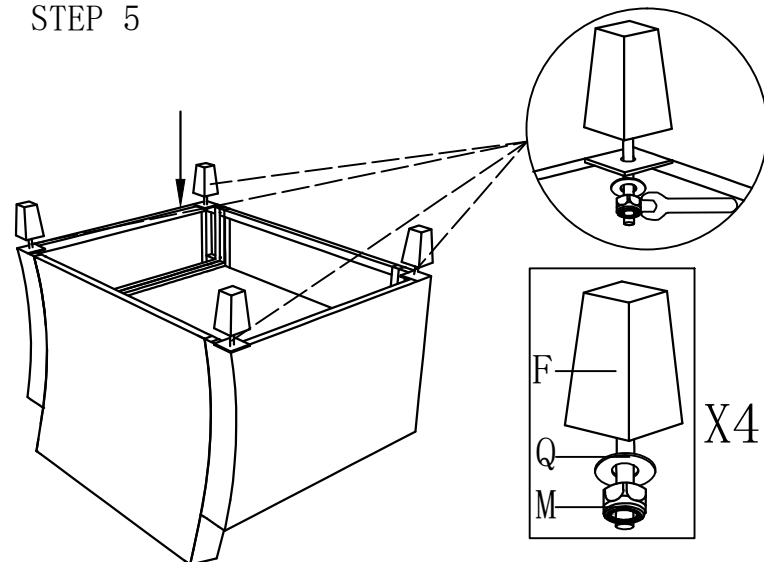
STEP 3



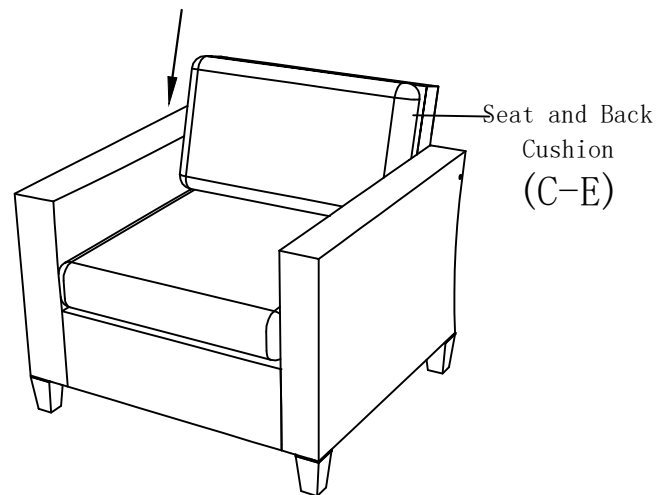
STEP 4



STEP 5



FINISH



It is recommended to tighten the anti-slip screws with your own M8 wrench.

Please tap the cushions and wait 48 to 72 hours to fully rebound