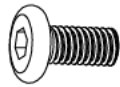


①



M6X12X16

②



X6

③



X6

④



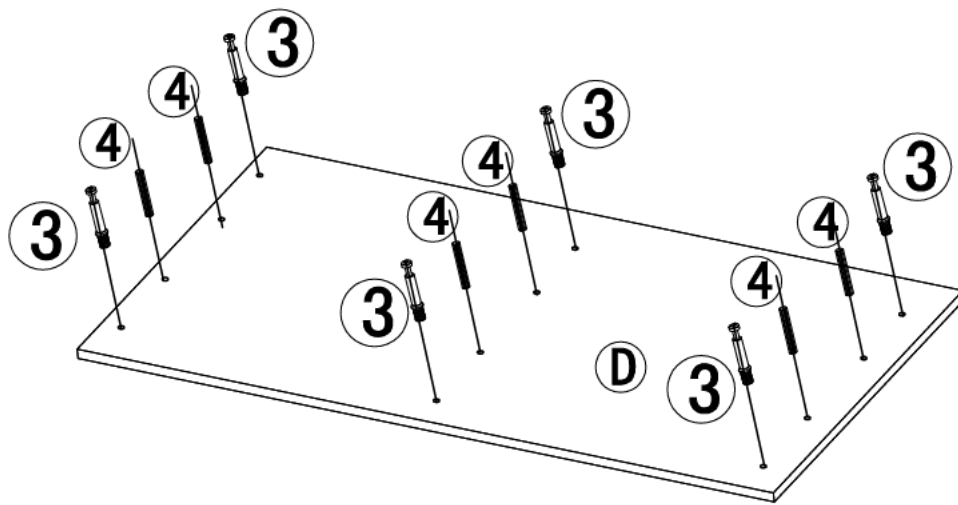
X12

⑤



M7X50X6

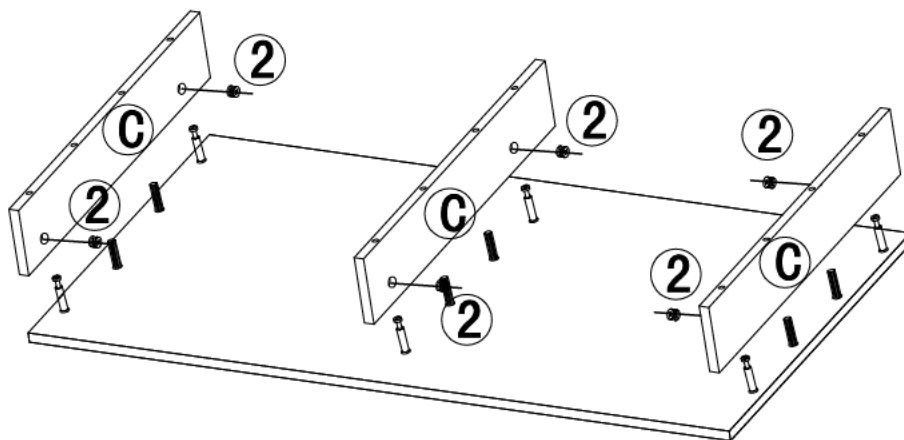
1.



③ x6

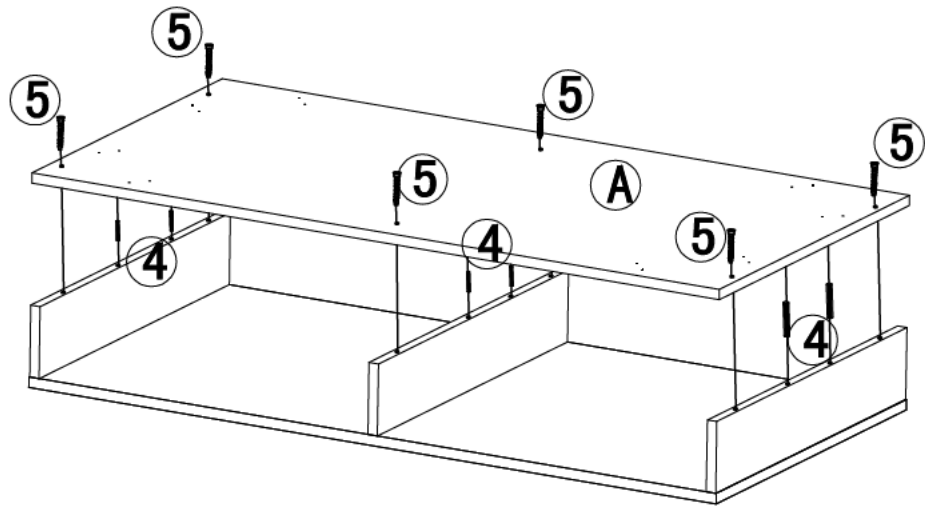
④ x6

2.



② x6

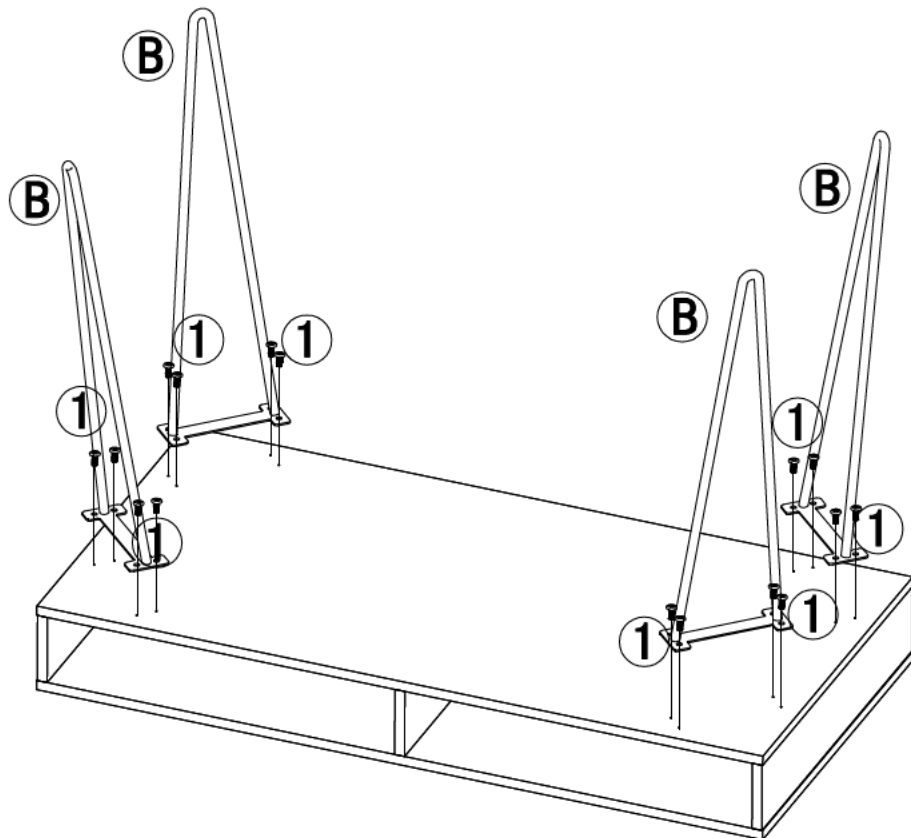
3.



④ x6

⑤ x6

4.



① x16