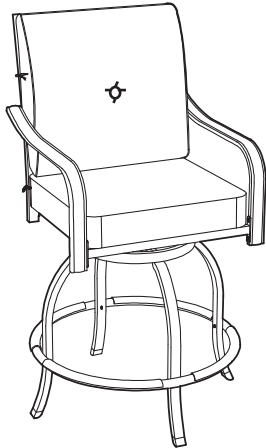


BISTRO BAR SWIVEL CHAIR



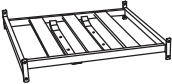





ASSEMBLY MANUAL


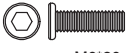
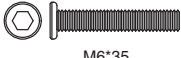
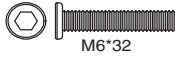







ASSEMBLY INSTRUCTIONS

- Prior to assembly, make sure you lay out and identify all the parts listed below in the parts list.
- Tighten all nuts and bolts securely. All bolts should be hand tightened before use. Never use power tools or excessive force during assembly and tightening of bolts.
- Should you experience any difficulty during assembly or if any part is missing or damaged:
Contact our customer service.

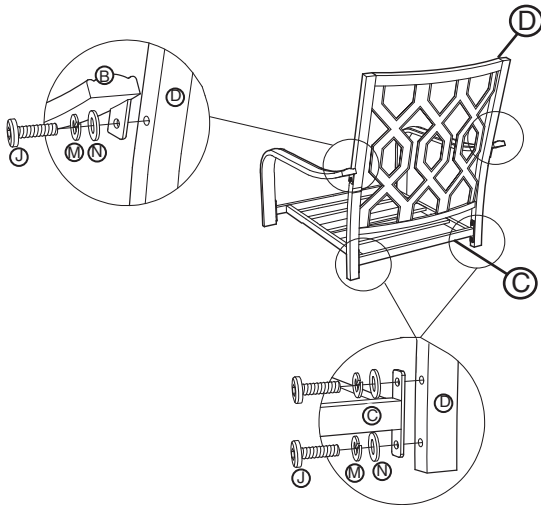
Part list

Part	Description	Qty
A	 Left Arm	1
B	 Right Arm	1
C	 Seat	1
D	 Back	1
E	 Wheel	1
F	 Leg	4
G	 Leg Connector	1
H	 Seat Cushion	1

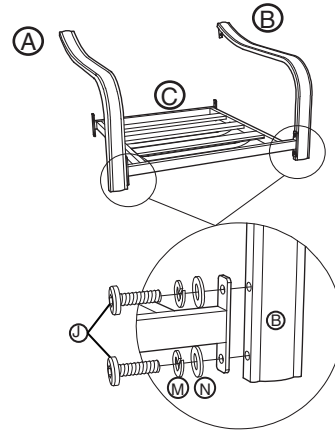
Part	Description	Qty
I	 Back Cushion	1
J	 Bolt M6*20	10+1
K	 Bolt M6*35	4+1
L	 Bolt M6*32	12+2
M	 Spring Washer	38+4
N	 Washer	38+4
Q	 Nut	12+2
	 Allen Key 1X  Screw Driver 1X	

SWIVEL CHAIR

- 2.** Connect Back (Part D) to arm (Part A&Part B) and Seat (Part C) using Bolt(J) , Spring Washer (M) and Washer (N) as shown in diagram.

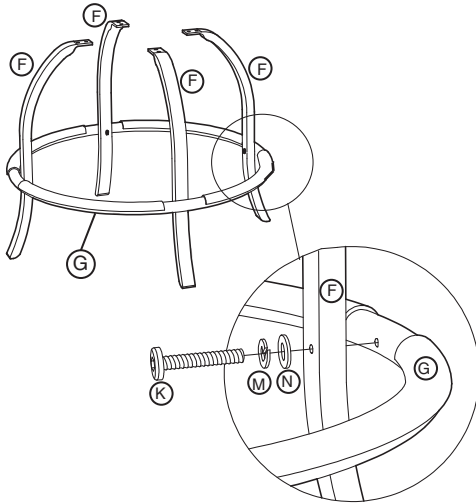


- 1.** Connect Right Arm & Left Arm (Part A & Part B) to Seat (Part C) using Bolt (J) , Spring Washer (M) and Washer (N) as shown in diagram.

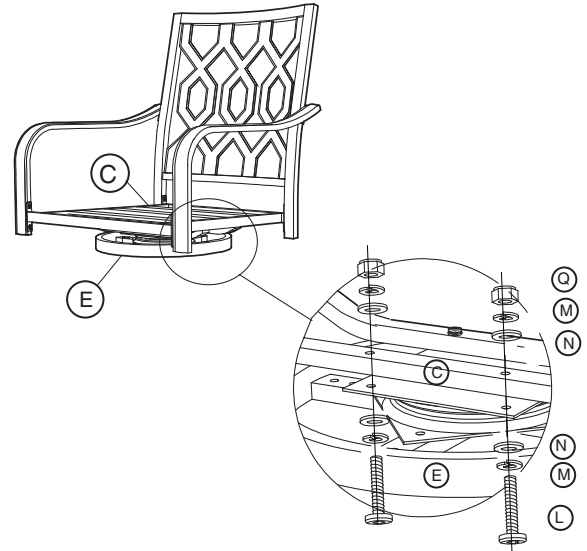


LOVESEAT

4. Connect Leg Connector (Part G) to legs (Part F) using Bolt(J) , Spring Washer (M) and Washer (N) as shown in diagram.

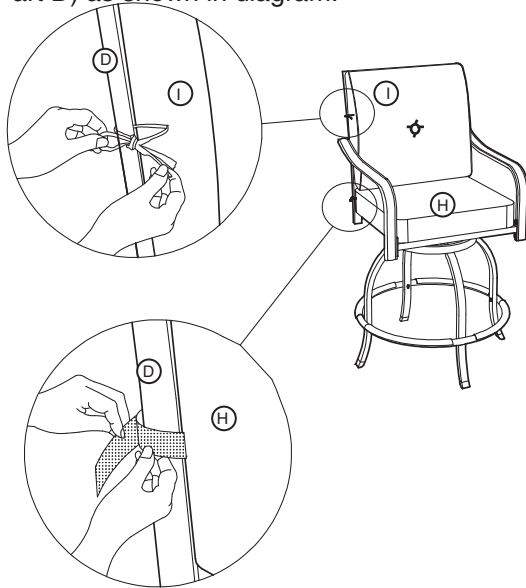


3. Attach Wheel (Part E) to Seat (Part C) using Bolt(L) , Spring Washer (M) , Washer (N) and Nut(Q) as shown in diagram.

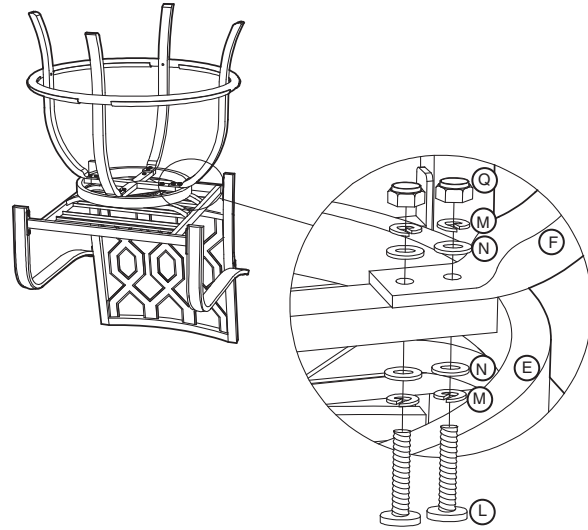


LOVESEAT

- 6.** Place Back Cushion (Part I) and Seat Cushion (Part H) on the frame. then tie them on the Back (Part D) as shown in diagram.



- 5.** Attach Leg Base to Wheel (Part E) using Bolt(L) , Spring Washer (M) , Washer (N) and Nut(Q) as shown in diagram.



- 7.** Eventually, Make sure all bolt are fixed tightly before using on the level ground.