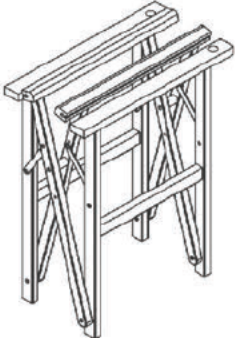








<p>Ax1</p> 	<p>Bx2</p> 	<p>Cx2</p> 	<p>Dx1</p> 
	<p>Ex1</p> 	<p>① x2</p>  <p>$\Phi 6 \times \frac{30}{1.2}$</p>	<p>② x1</p>  <p>$\Phi 4$</p>

