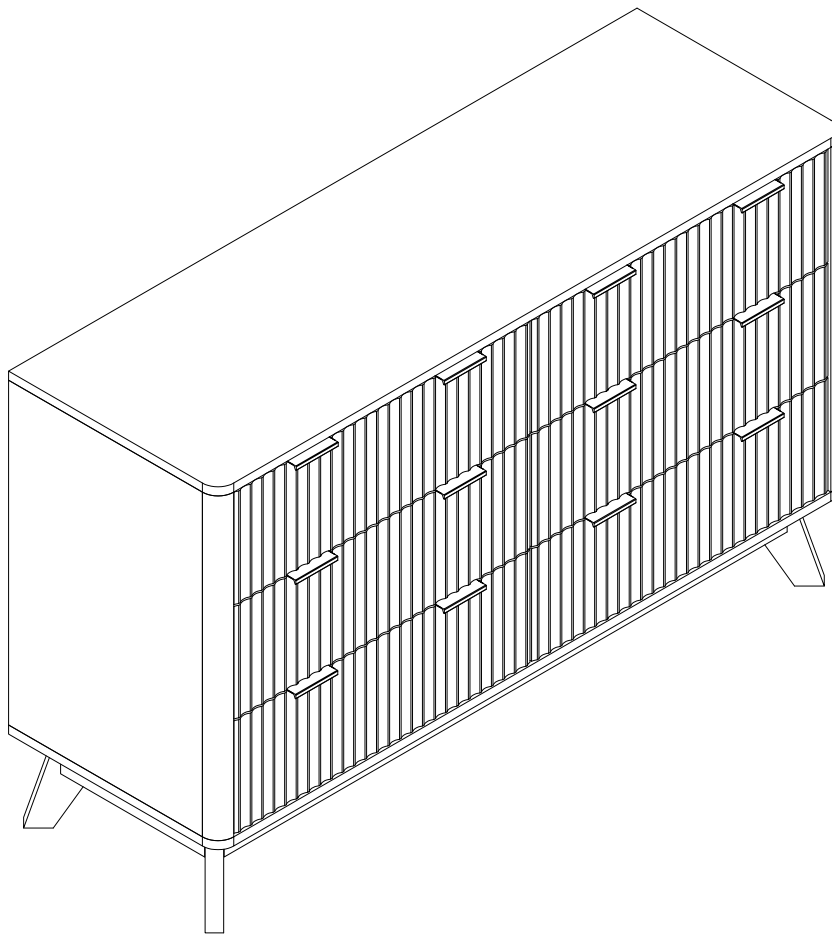


Assembly Instructions



Grantee:



DO NOT RETURN: Keep the regular item and get a Replacement and new products instead of Return.



REFUND: Any problems caused by us can be compensated by a refund.

We are very sorry if we have caused you any trouble.
Try to contact our service team at first time to solve your problem.
Thank you for giving our service team another chance.
Thank you for your patience and cooperation.

Before Start:



Check part List: Check the part list to make sure you have all parts before starting assembly



Cursory glance: A cursory glance through the manual can help speed up the installation process and reduce mistakes before starting



Follow Instructions: Follow instructions step by step to avoid Unnecessary mistakes, destruction and failure.

Recommended:



Two Person may help assemble work easier.

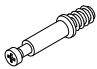
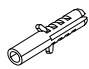



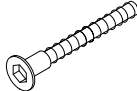







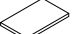
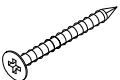

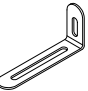

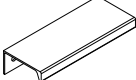




Phillips and hexagonal screwdriver.



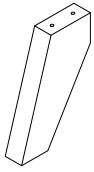
Power tools can reduce installation time.

Hardware Part List

A		M6x35mm	x68+3	<input type="checkbox"/>	Q			x2	<input type="checkbox"/>
B		M15x10mm	x68+3	<input type="checkbox"/>	R		M4x9mm	x12+1	<input type="checkbox"/>
C		M6x30mm	x22+2	<input type="checkbox"/>	S		M7x50mm	x8	<input type="checkbox"/>
D			x12	<input type="checkbox"/>	T			x1	<input type="checkbox"/>
E		M3x12mm	x60+3	<input type="checkbox"/>	U			x1	<input type="checkbox"/>
F		M6x10mm	x12+1	<input type="checkbox"/>					
G		M6x20mm	x12+1	<input type="checkbox"/>					
H			x1	<input type="checkbox"/>					
I			x4	<input type="checkbox"/>					
J		M4x35mm	x8	<input type="checkbox"/>					
K		M4x12mm	x6	<input type="checkbox"/>					
L			x2	<input type="checkbox"/>					
M		M4x30mm	x30+3	<input type="checkbox"/>					
N			x12	<input type="checkbox"/>					
O			x16	<input type="checkbox"/>					
P		M3x16mm	x16+1	<input type="checkbox"/>					

Components Part List

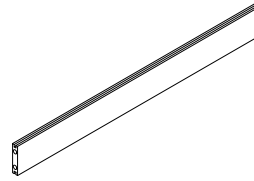
1



x4



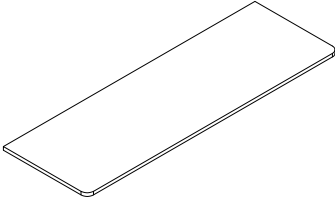
9



x2



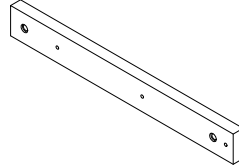
2



x1



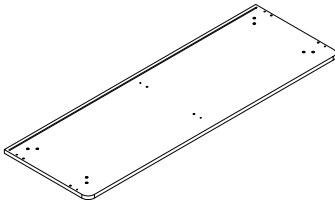
10



x6



3



x1



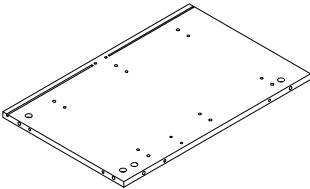
11



x1



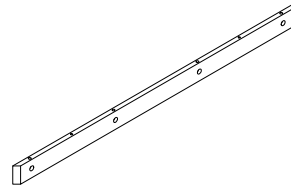
4



x1



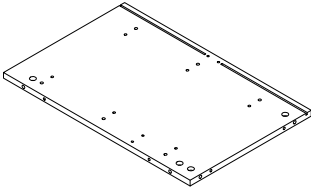
12



x2



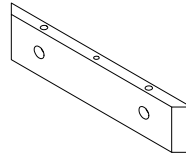
5



x1



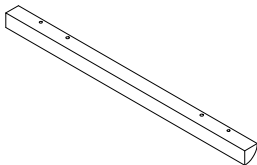
13



x2



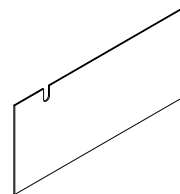
6



x2



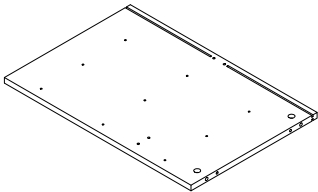
14



x2



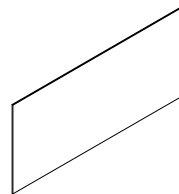
7



x1



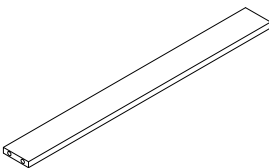
15



x2



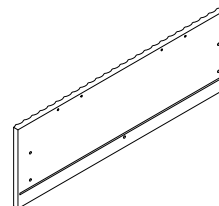
8



x2



16

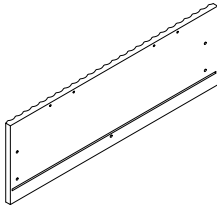


x3



Components Part List

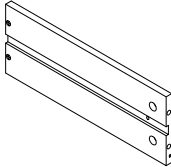
17



x3



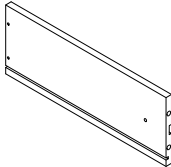
18



x6



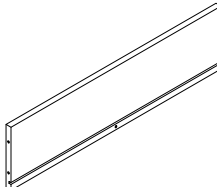
19



x6



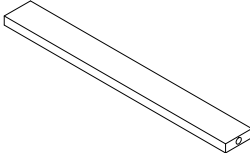
20



x6



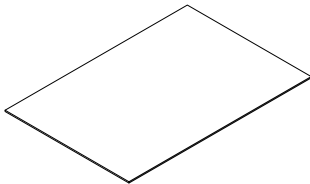
21



x6



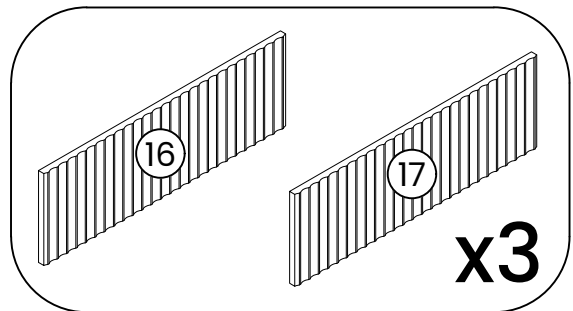
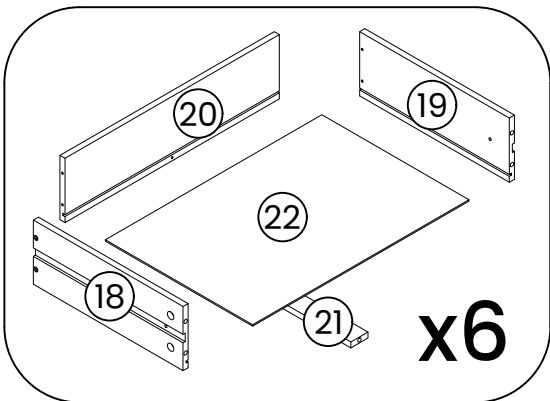
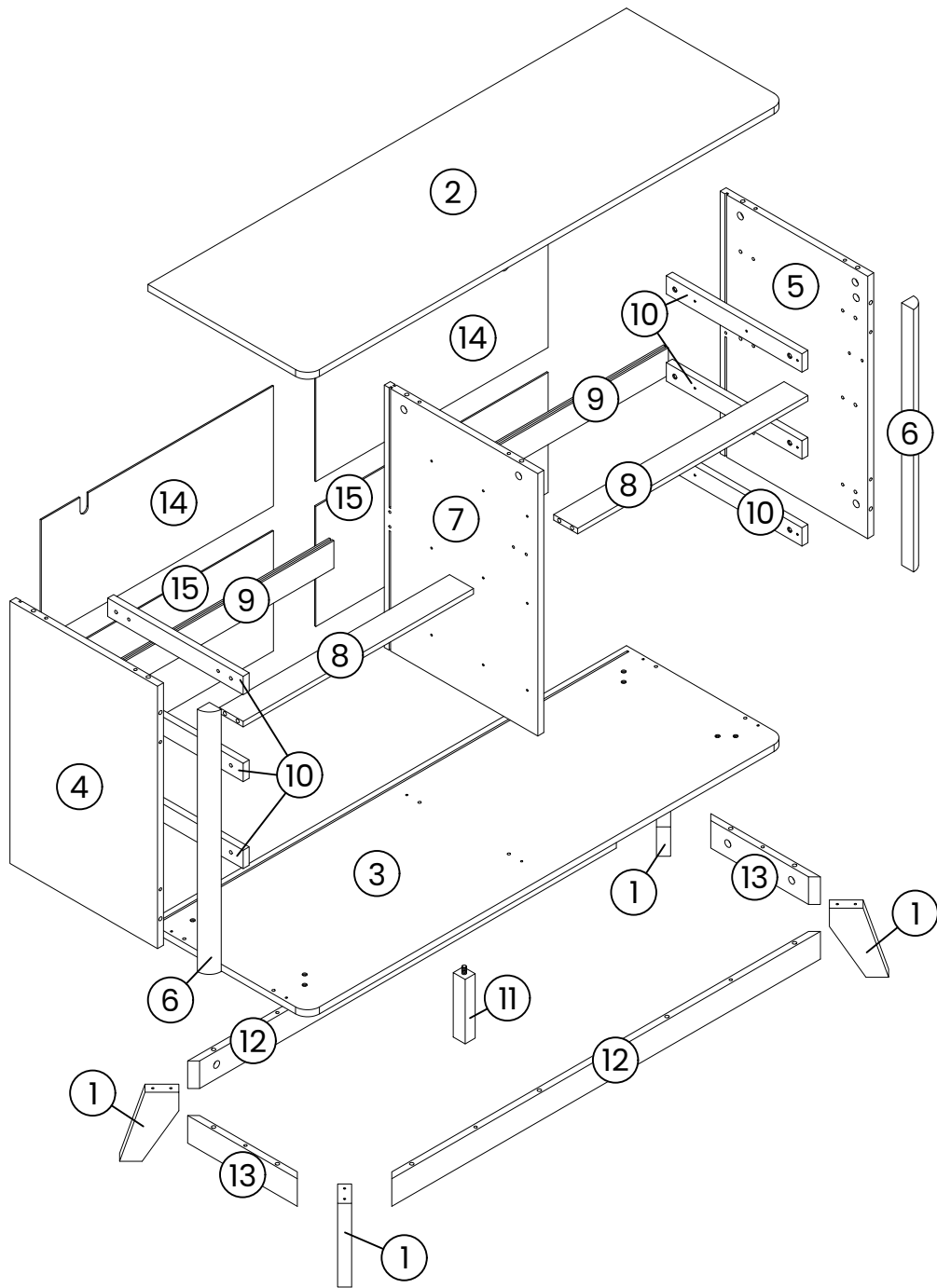
22



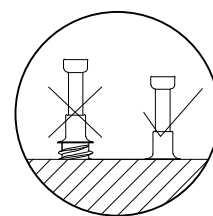
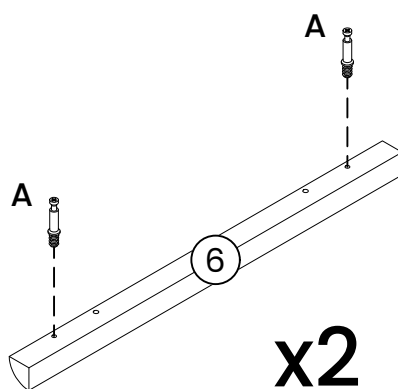
x6



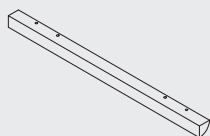
Disassemble diagram:



Step 1 / 31



6



x2

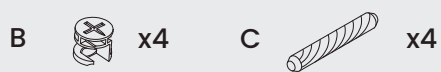
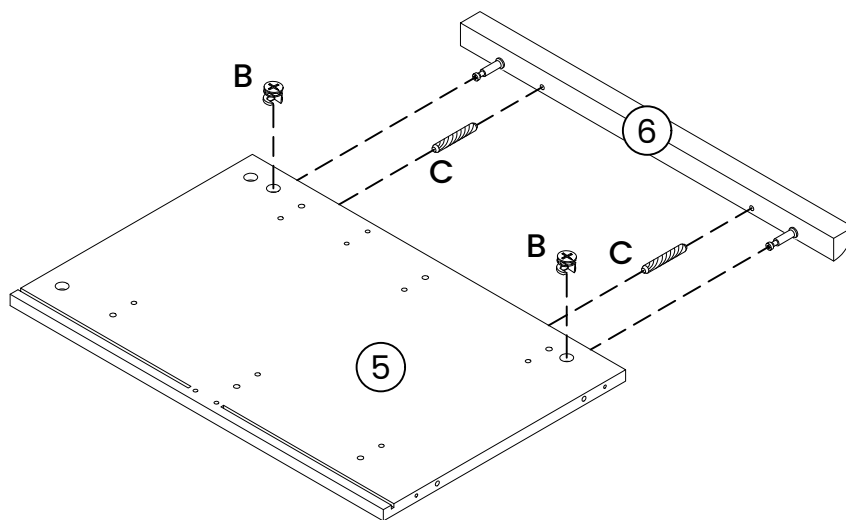
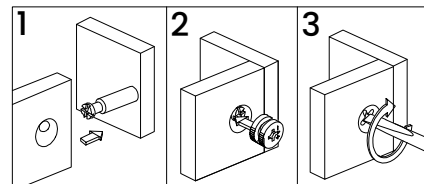
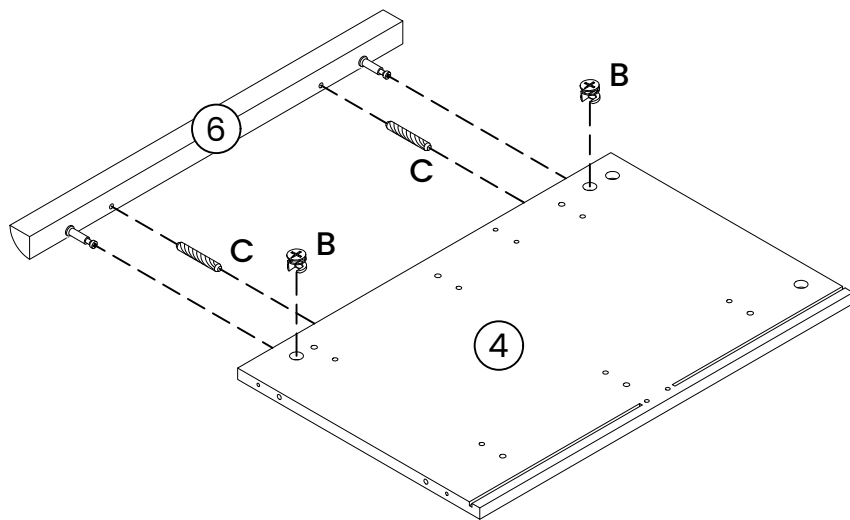
A



x4

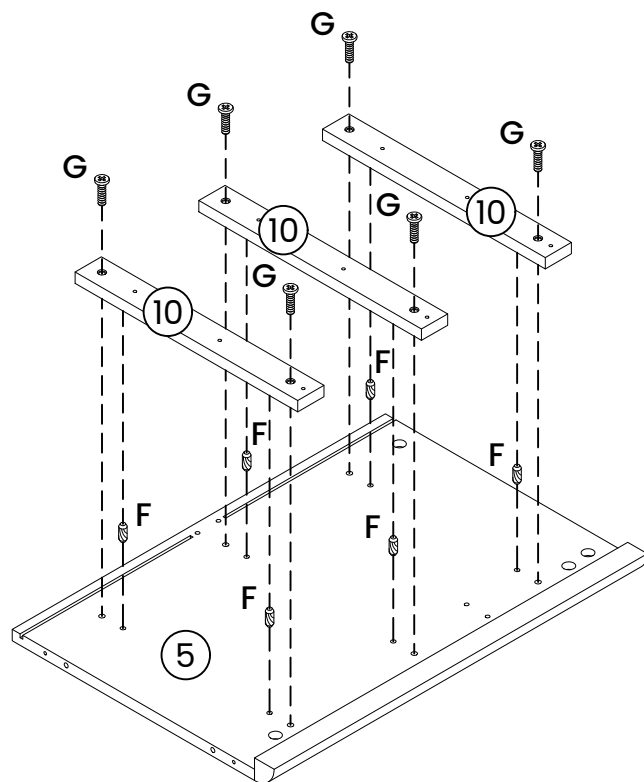
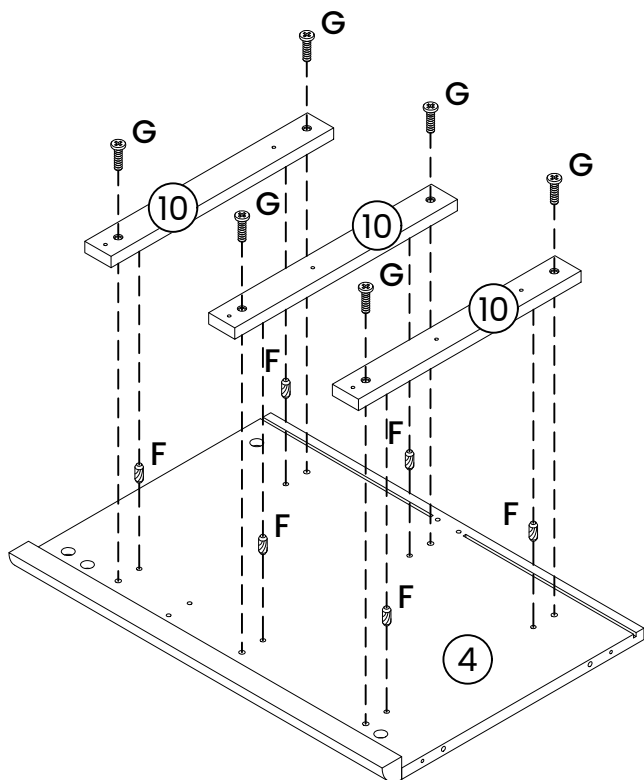
Note:

Step 2 / 31

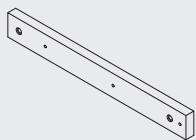


Note:

Step 3 / 31



10



x6

F



x12

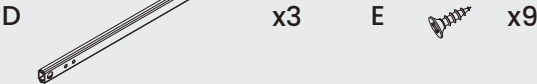
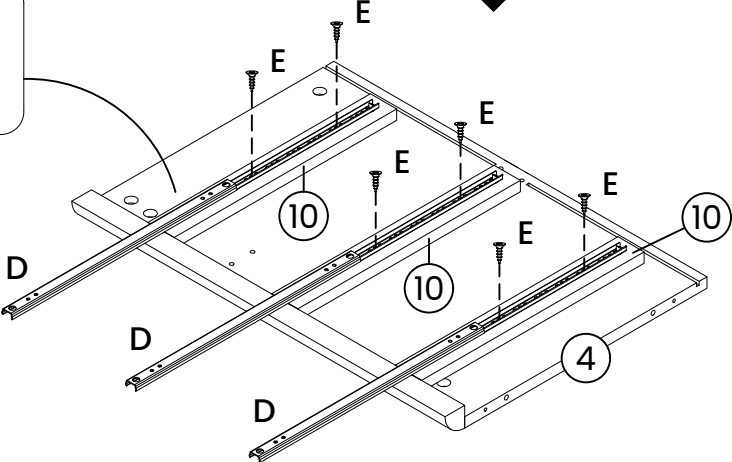
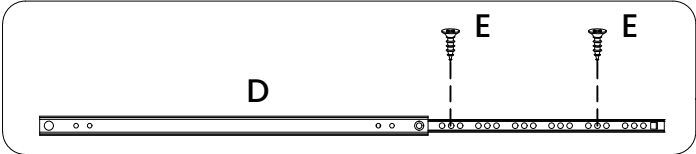
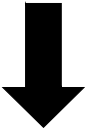
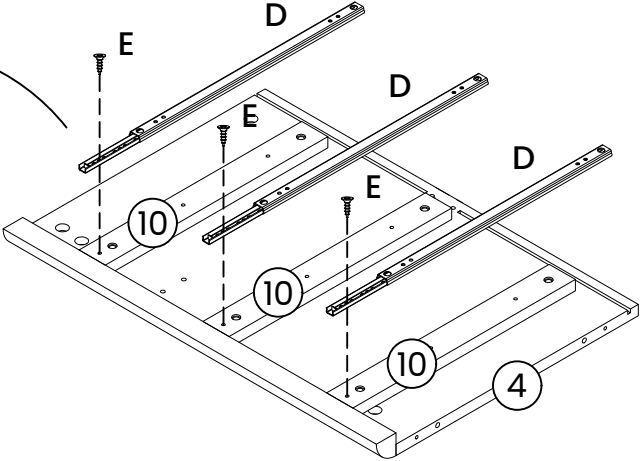
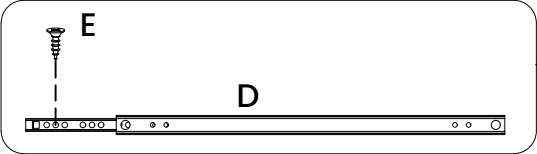
G



x12

Note:

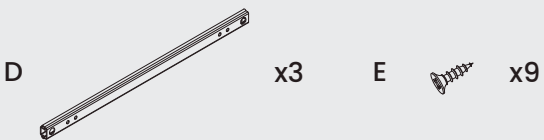
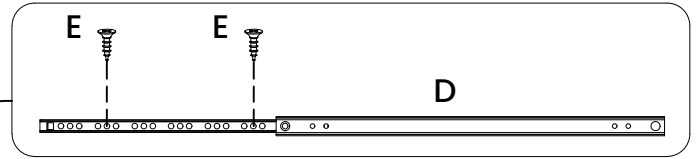
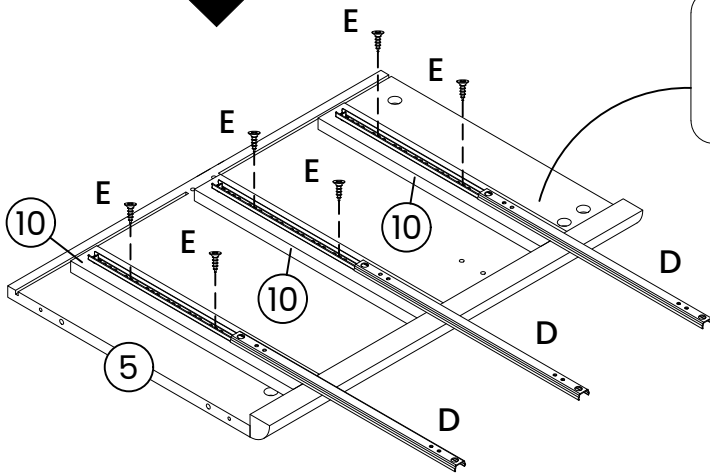
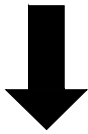
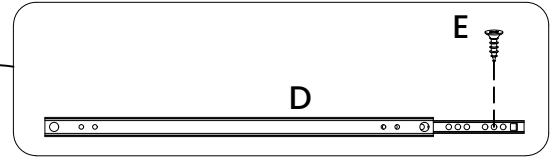
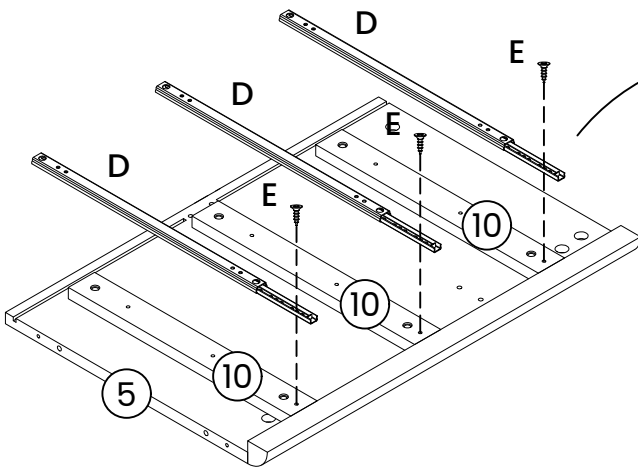
Step 4 / 31



Note:

To locate correct holes, slide(D) needed to be moved in 2 directions.

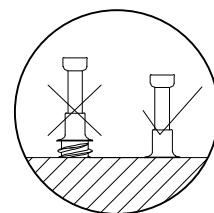
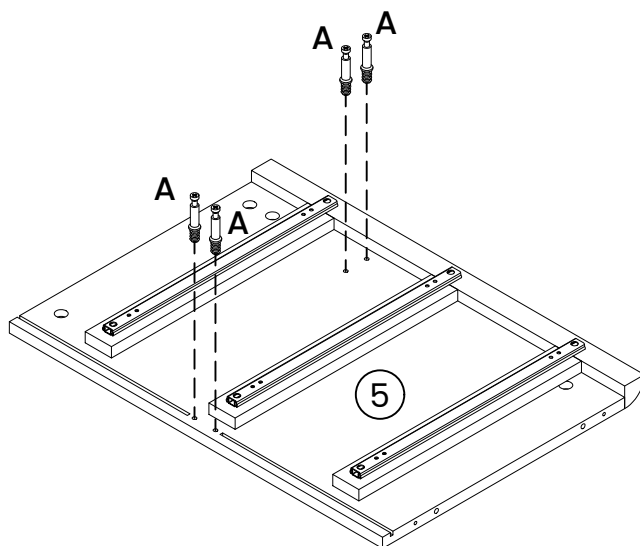
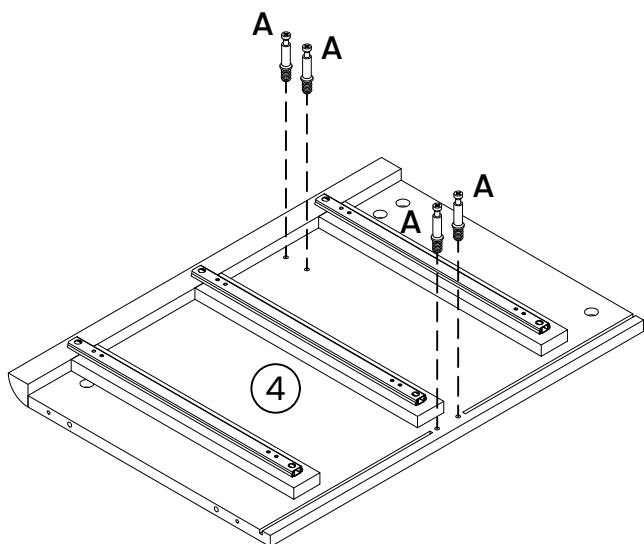
Step 5 / 31

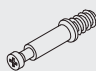


Note:

To locate correct holes, slide (D) needed to be moved in 2 directions.

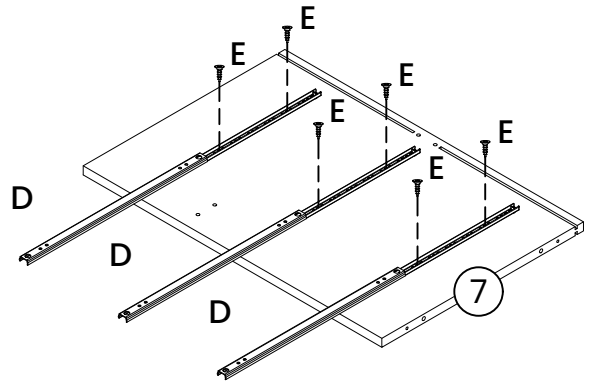
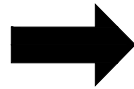
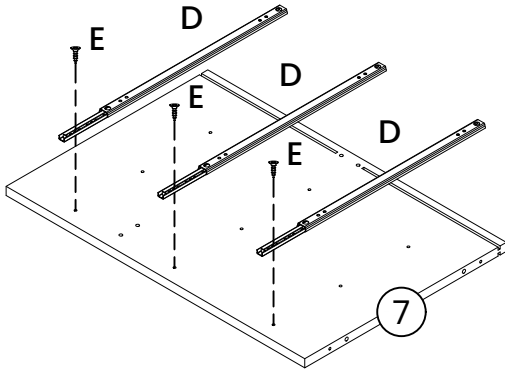
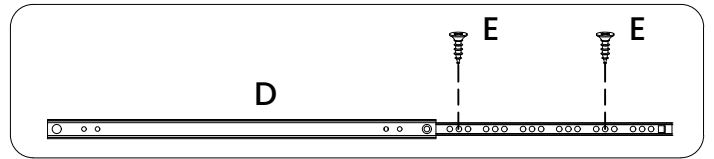
Step 6 / 31



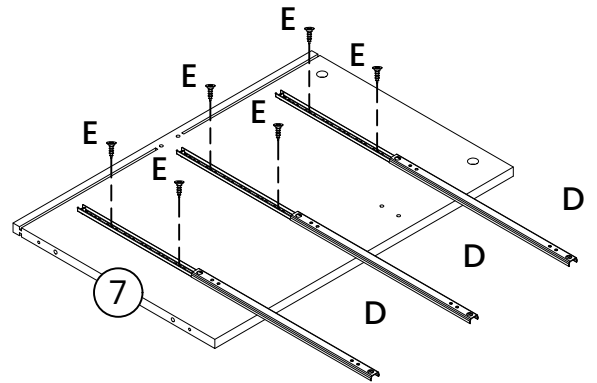
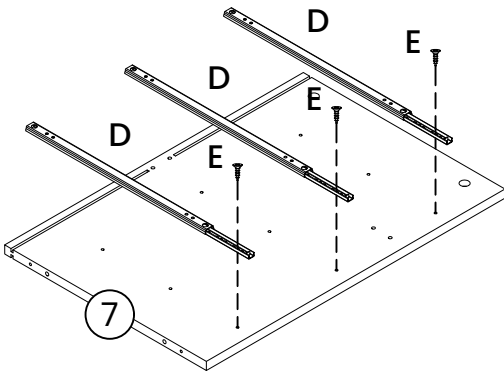
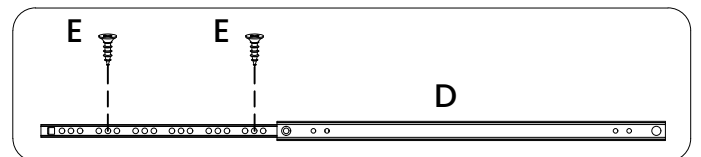
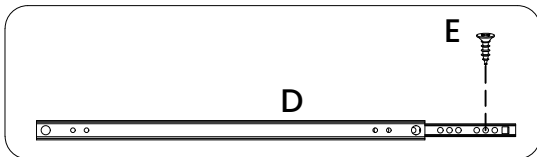
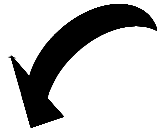
A  x8

Note:

Step 7 / 31



180°

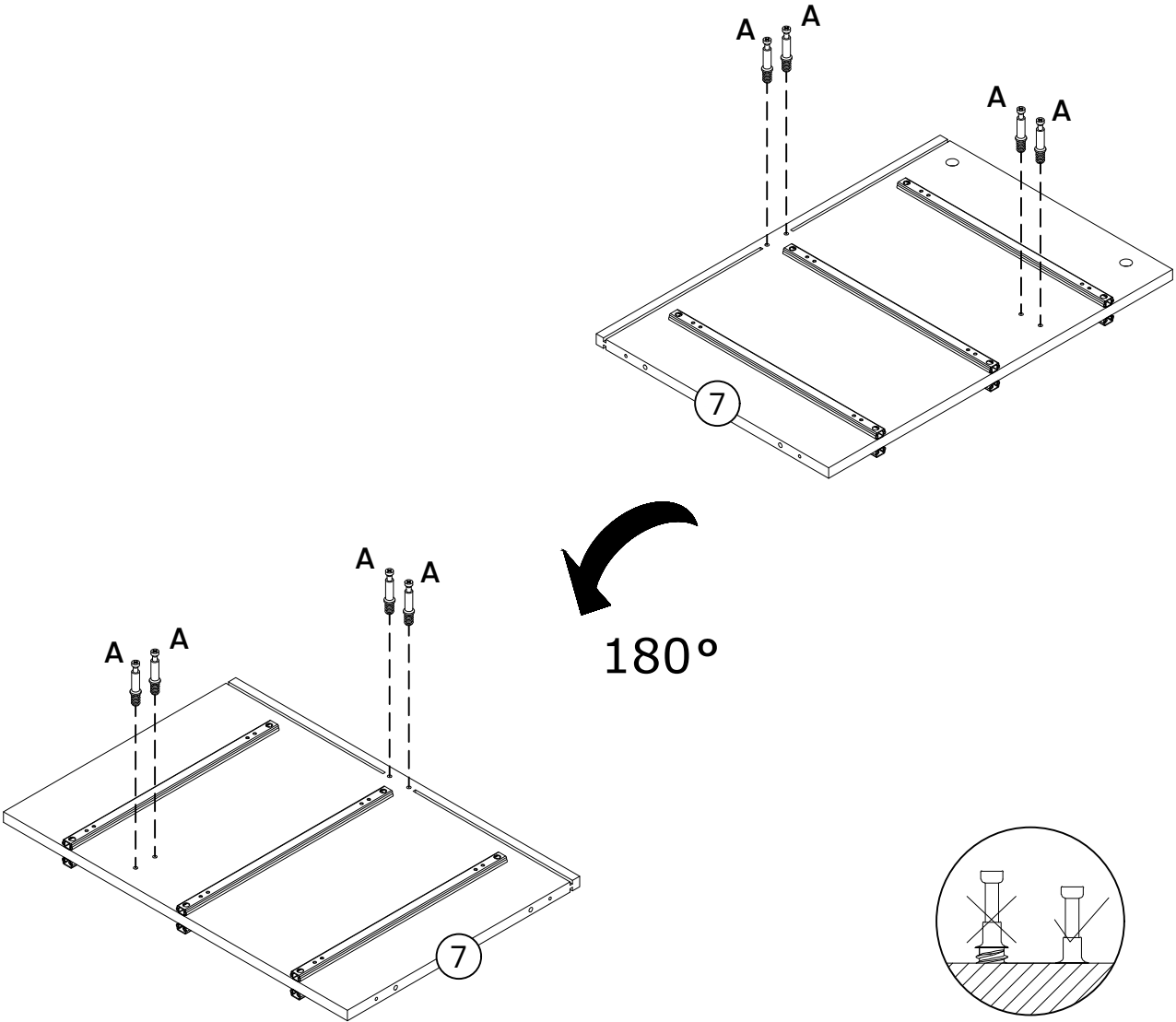


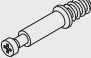
Note:

Both sides of part 7 needed to be installed.

To locate correct holes, slide (D) needed to be moved in 2 directions.

Step 8 / 31

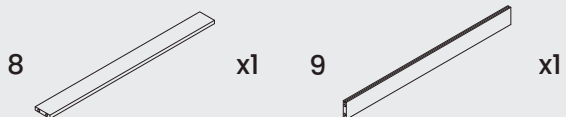
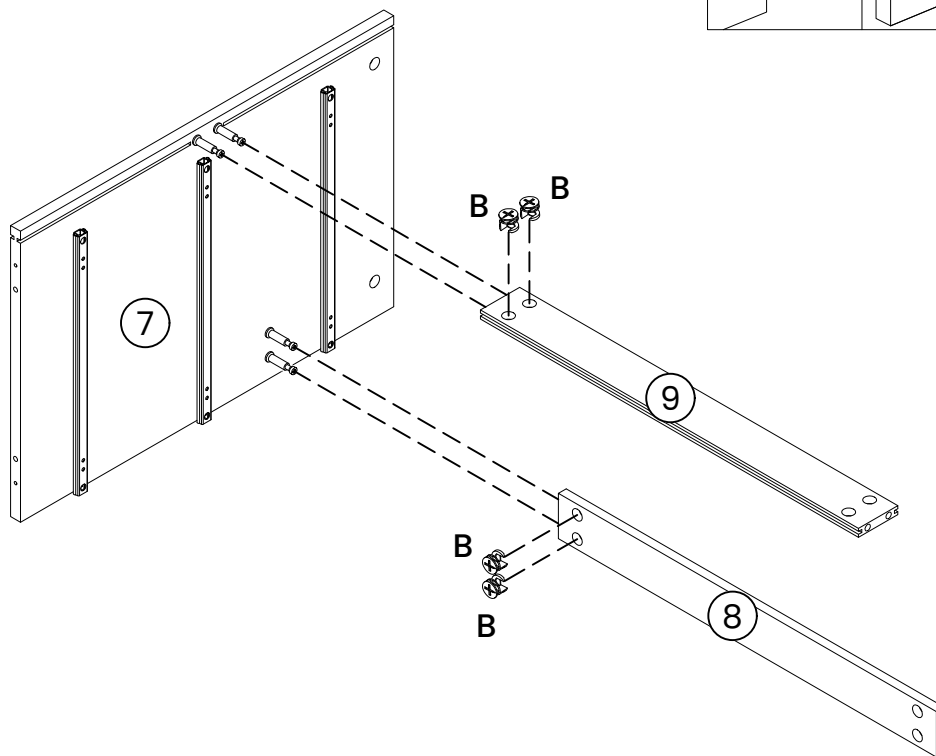
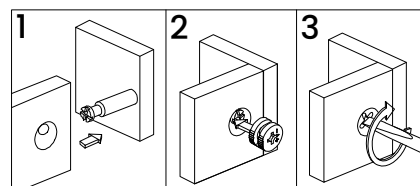


A  x8

Note:

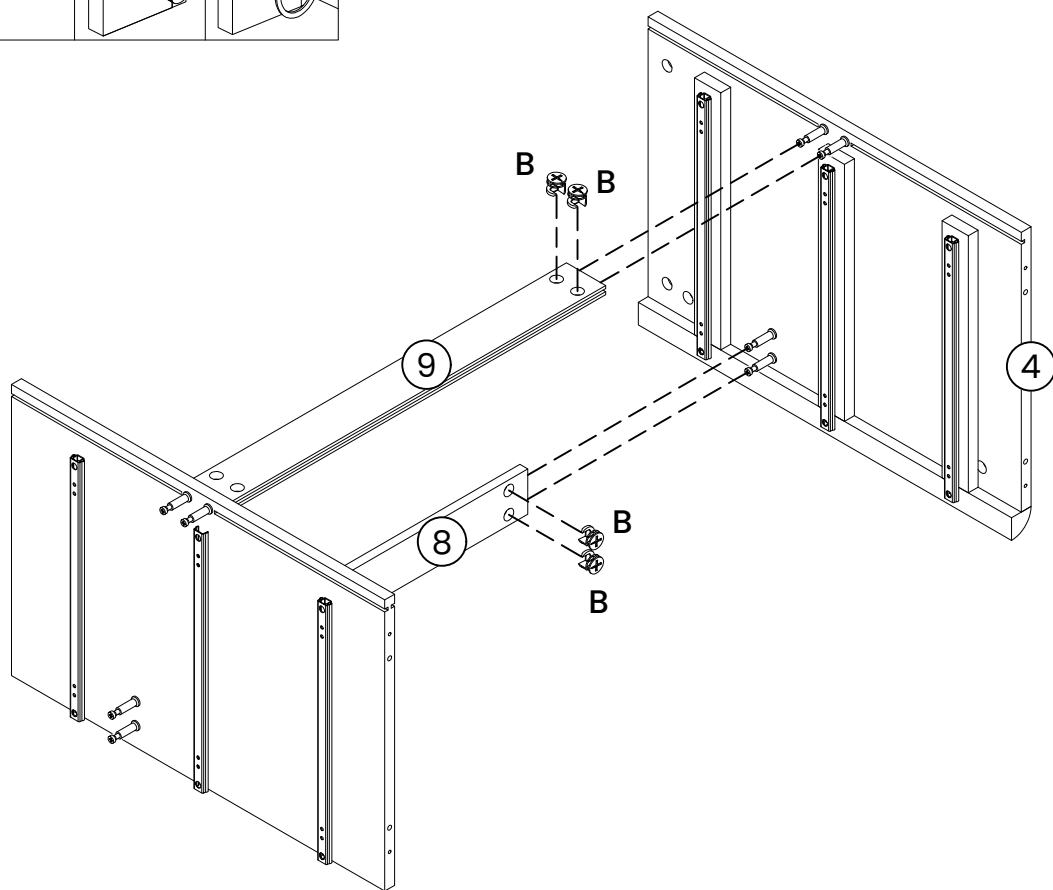
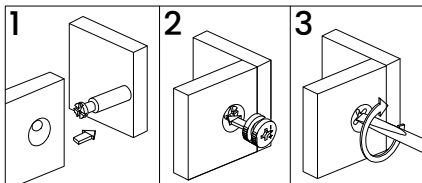
Both sides of part 8 needed to be installed.

Step 9 / 31



Note:

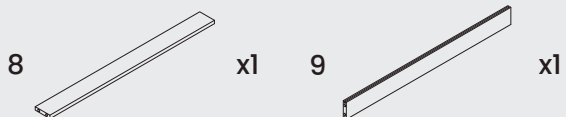
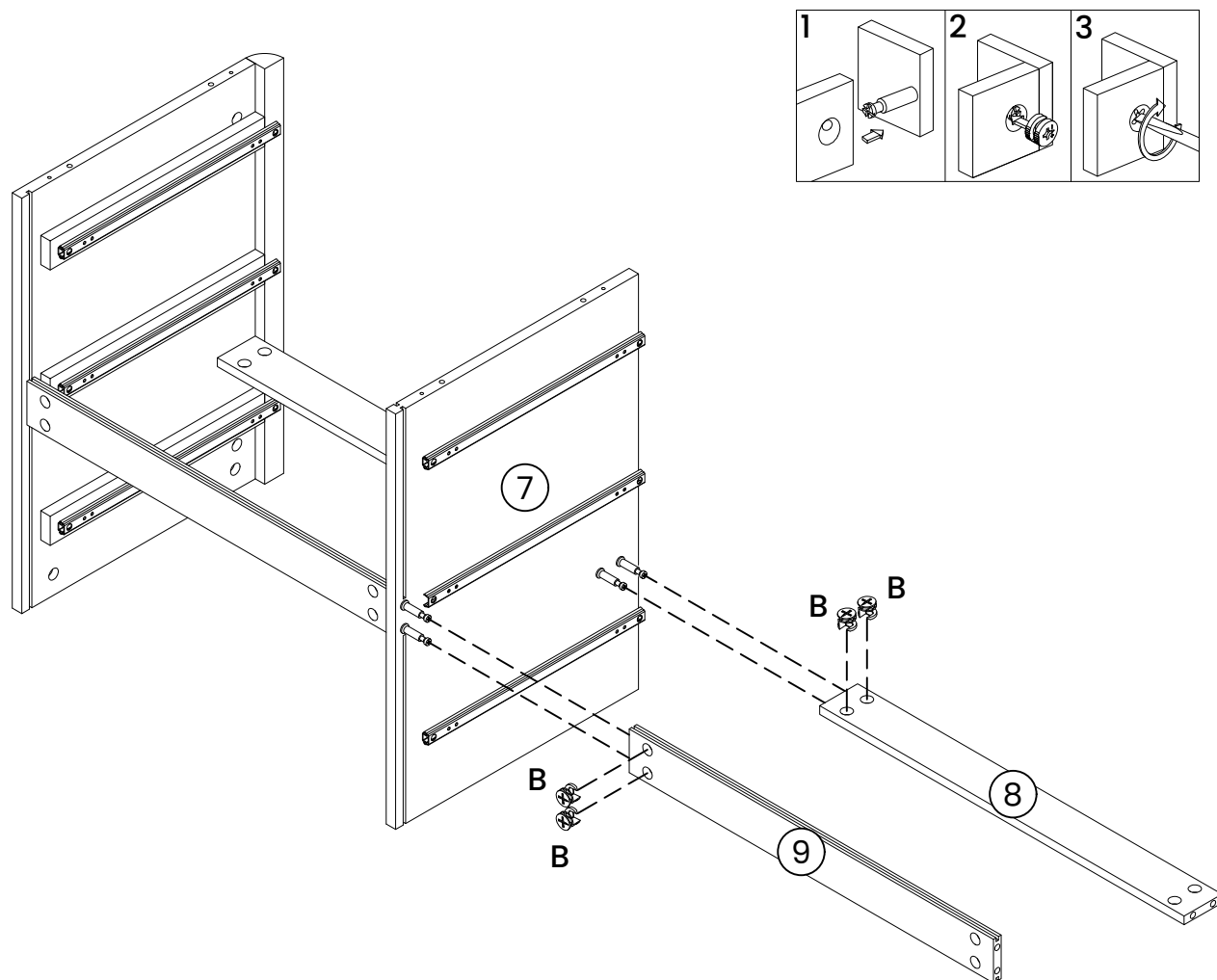
Step 10 / 31



B  x4

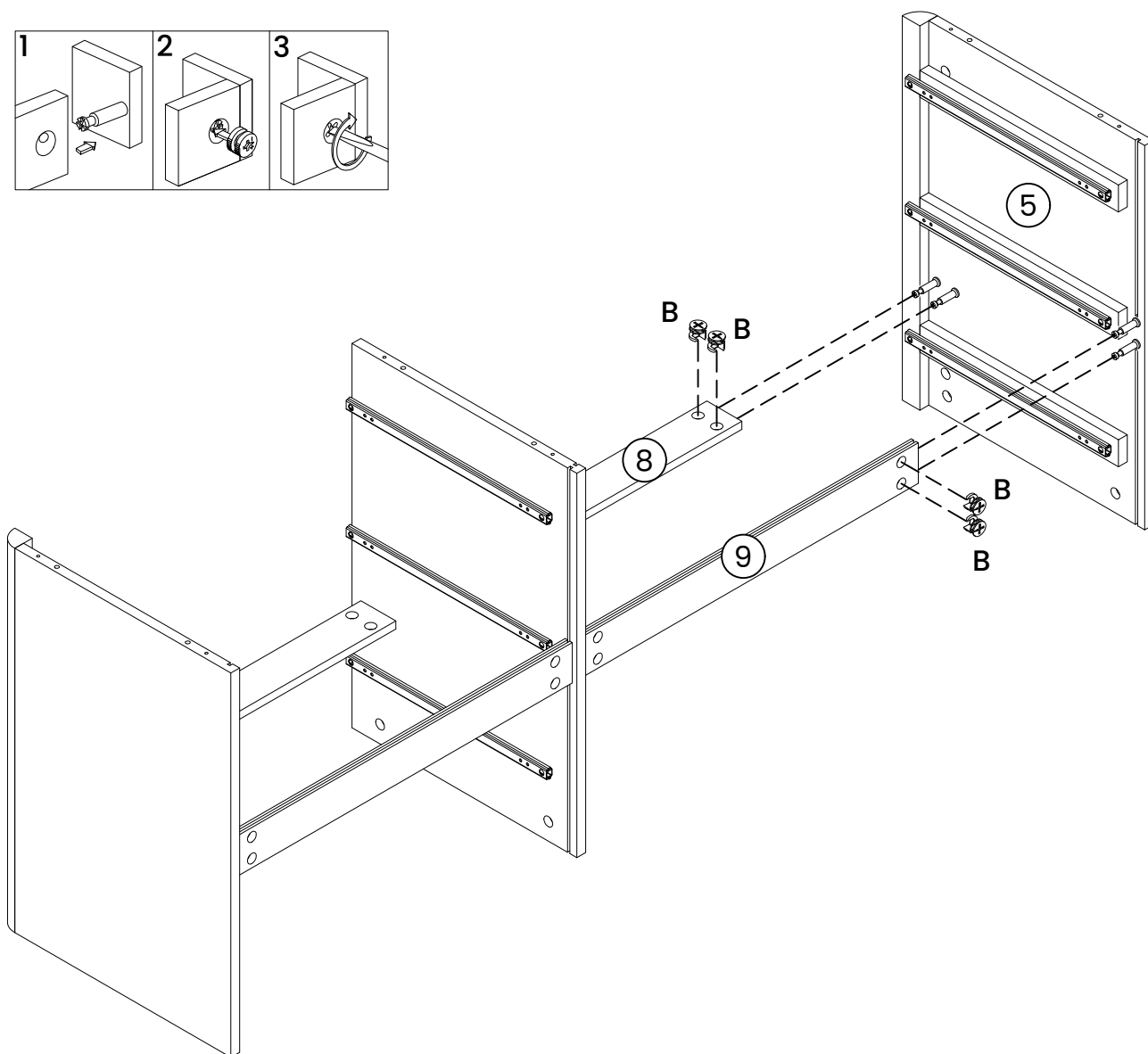
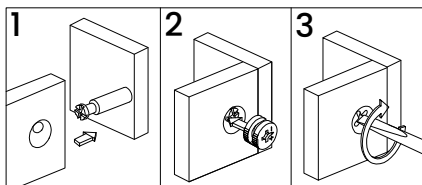
Note:

Step 11 / 31



Note:

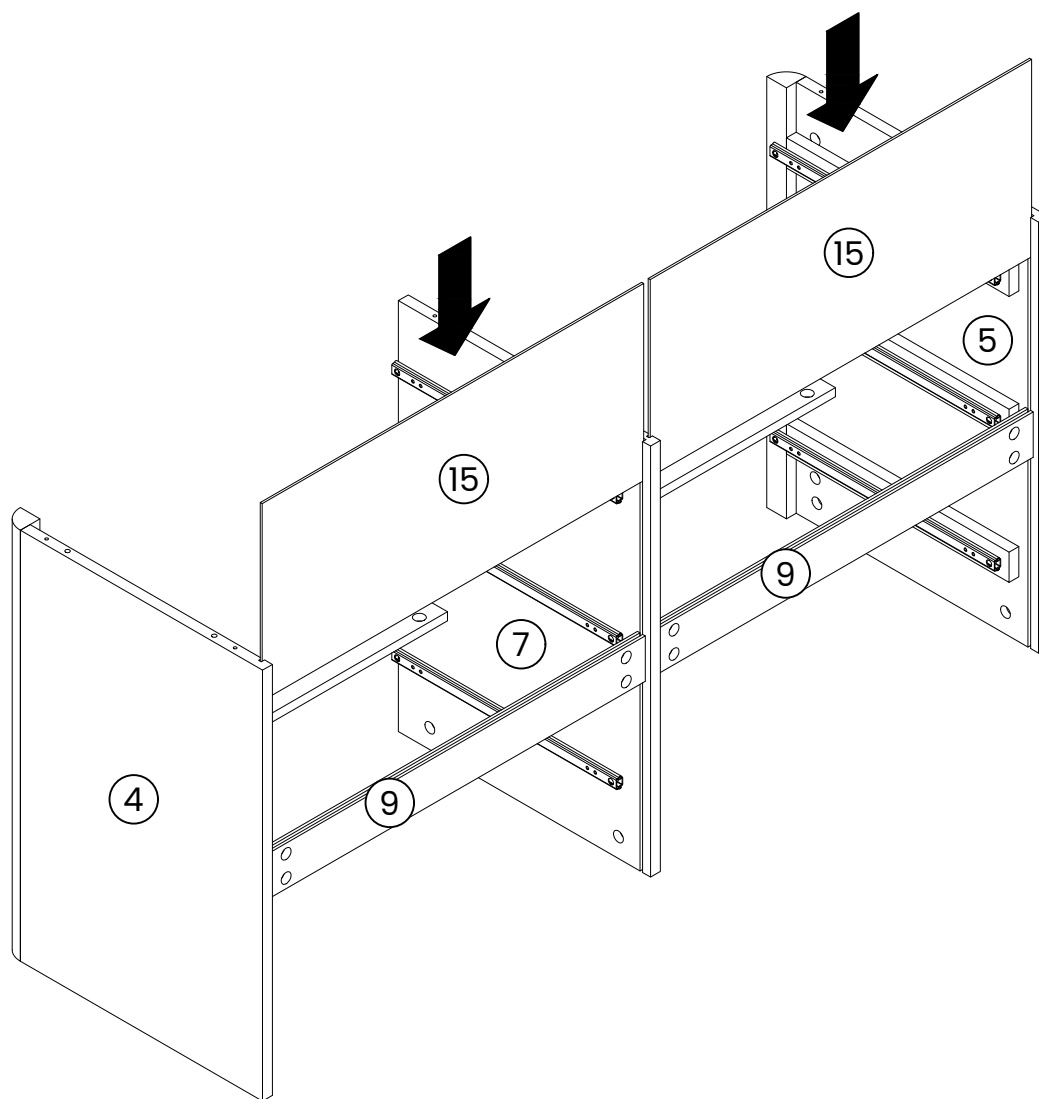
Step 12 / 31



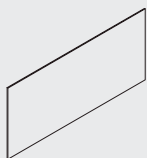
B  x4

Note:

Step 13 / 31



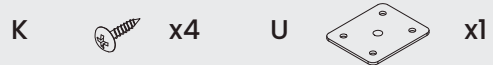
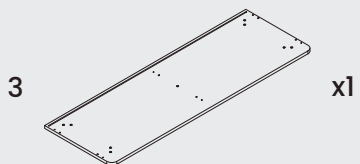
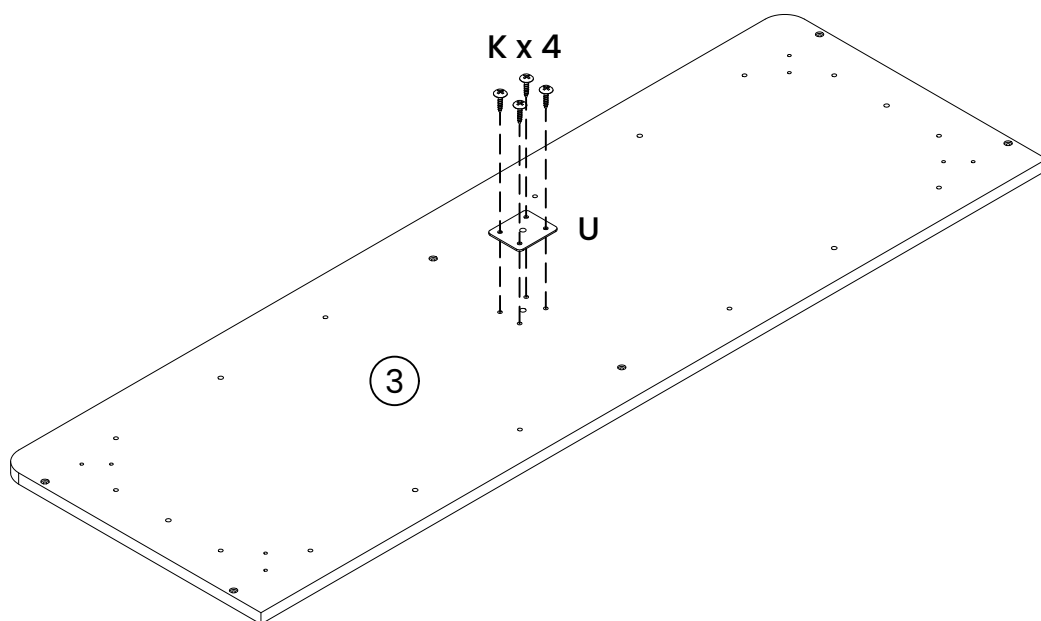
15



x2

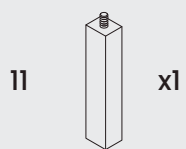
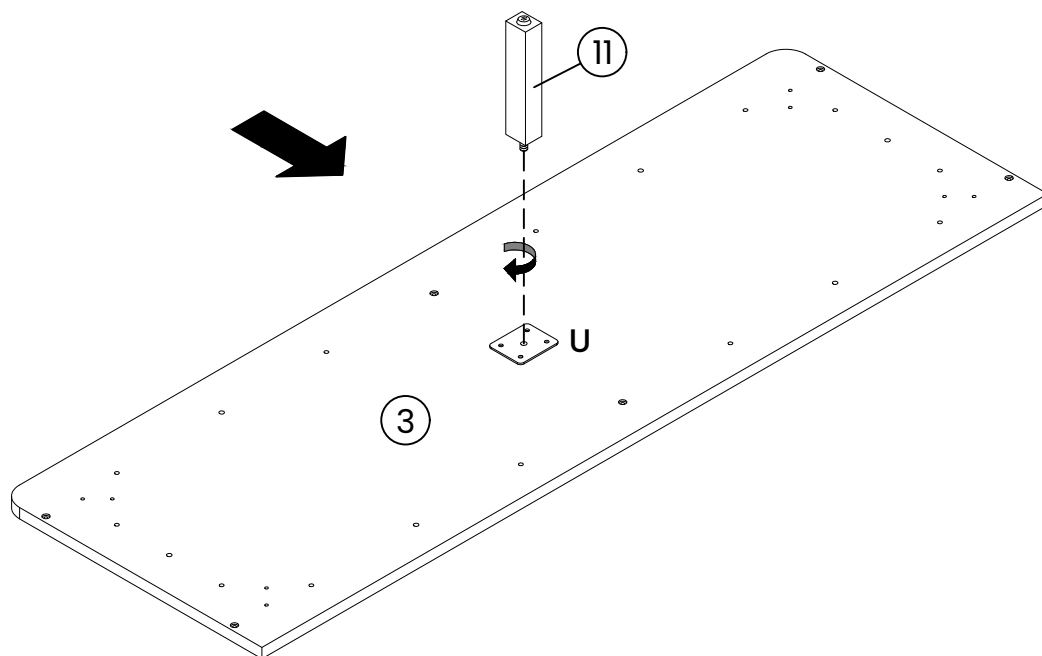
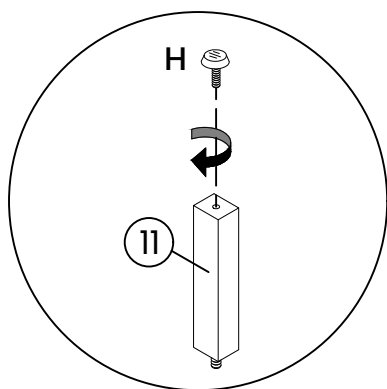
Note:

Step 14 / 31



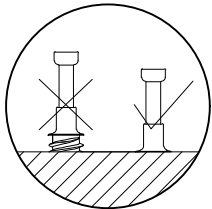
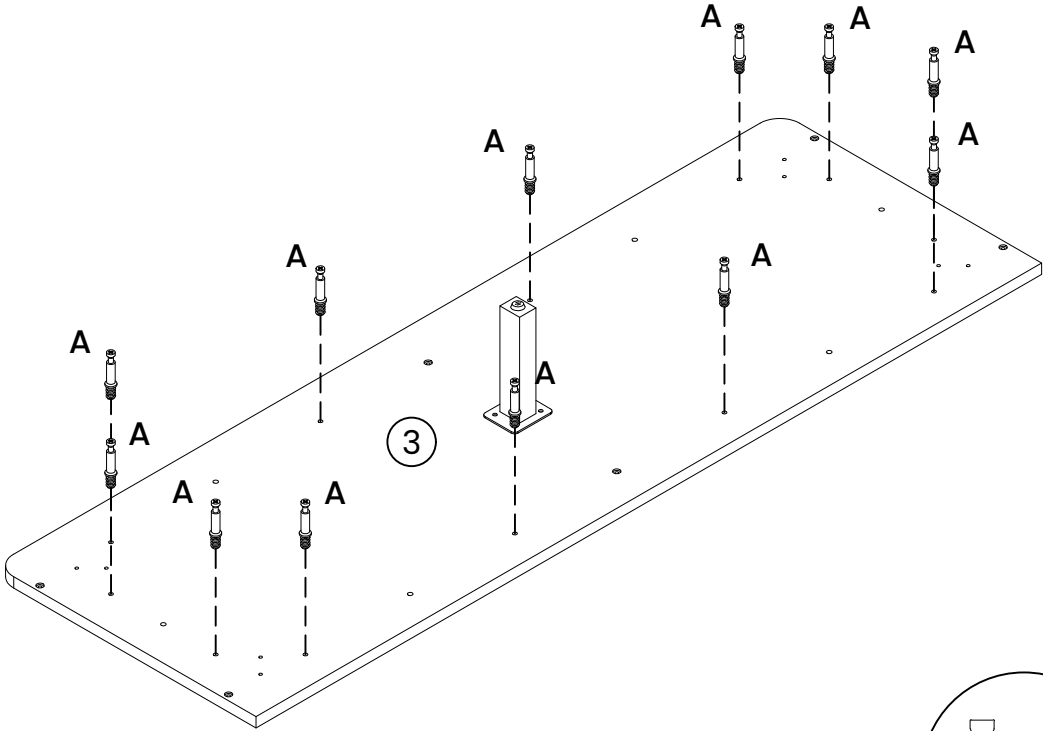
Note:


Step 15 / 31



Note:

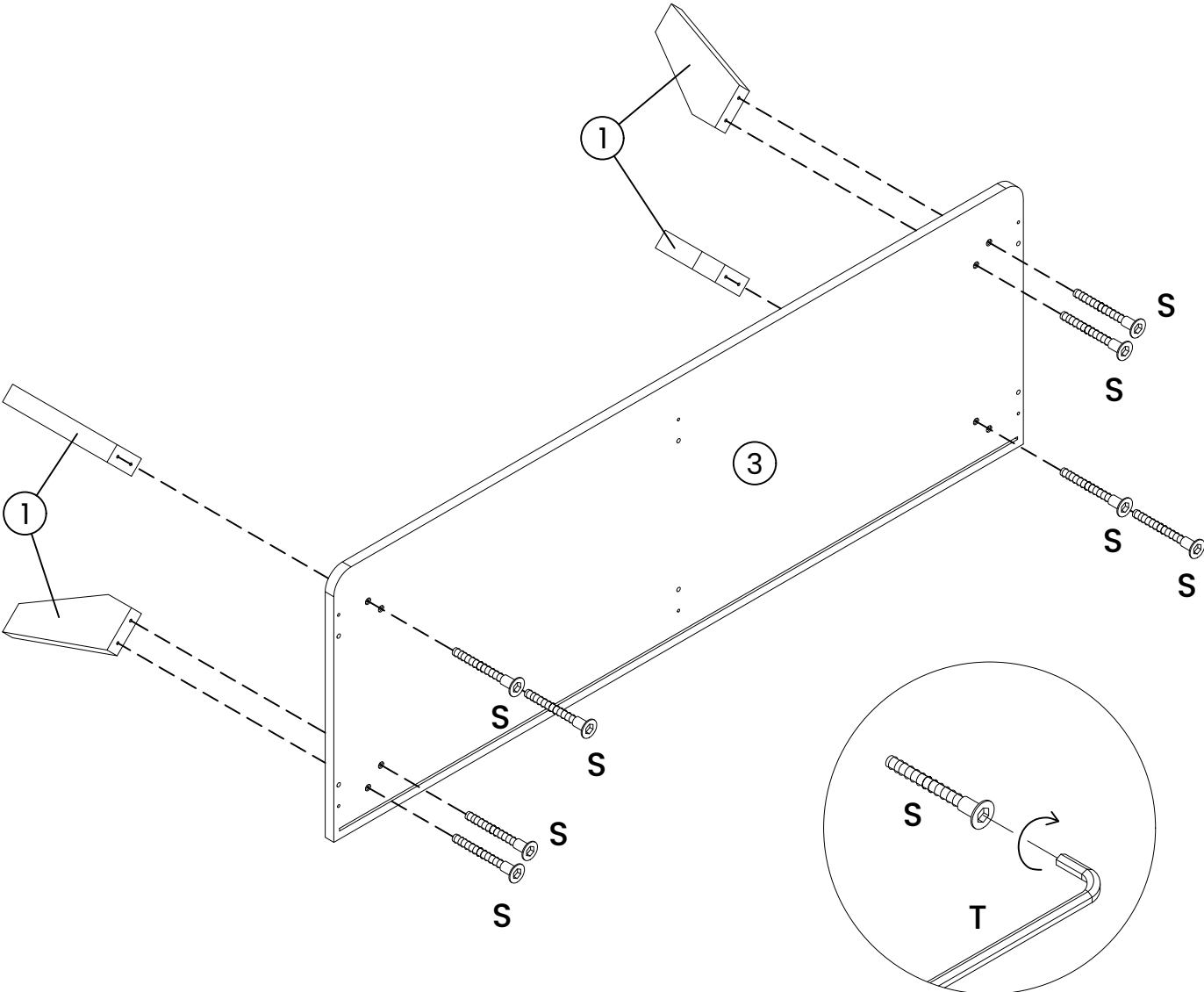
Step 16 / 31



A  x12

Note:

Step 17 / 31

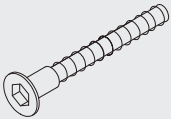


1



x4

S



x8

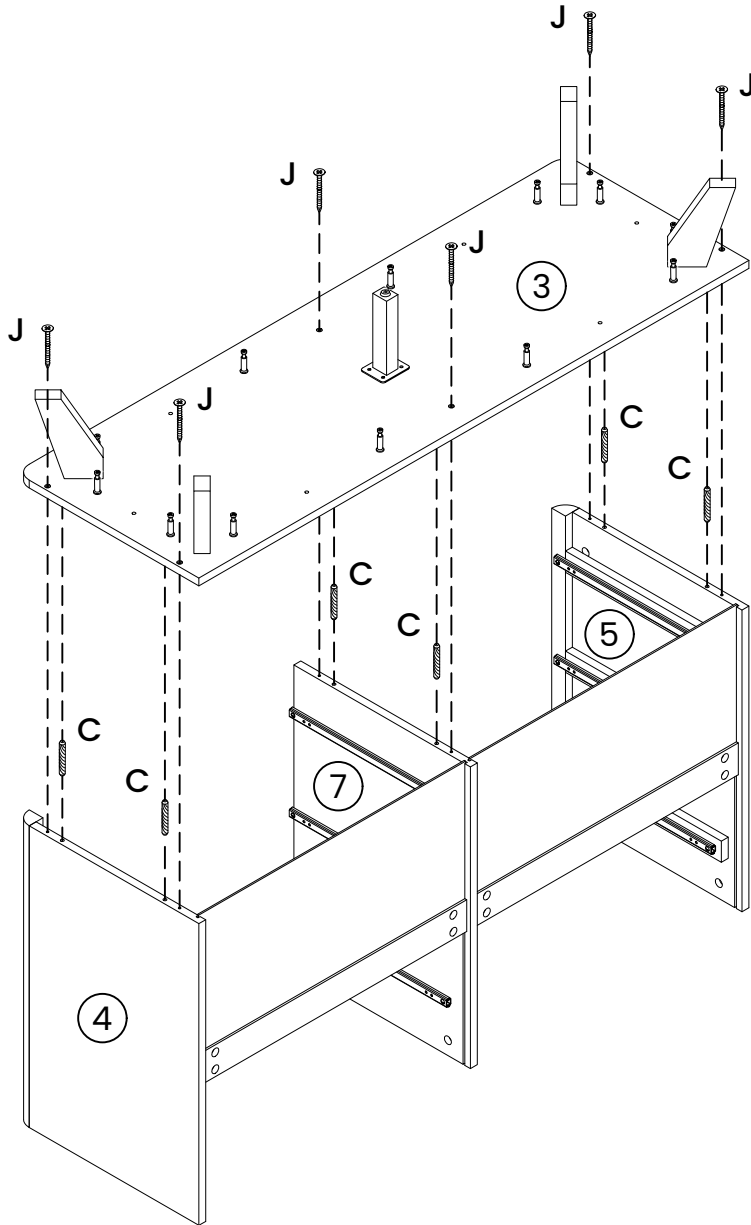
T





x1

Note:

Step 18 / 31

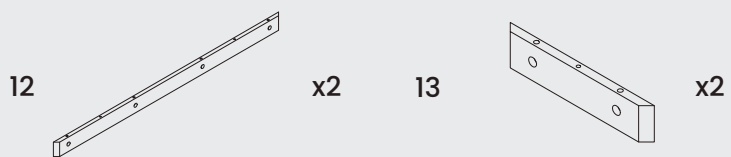
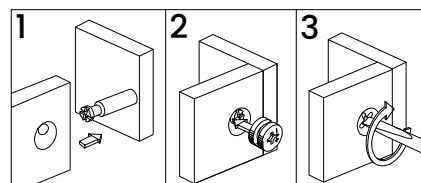
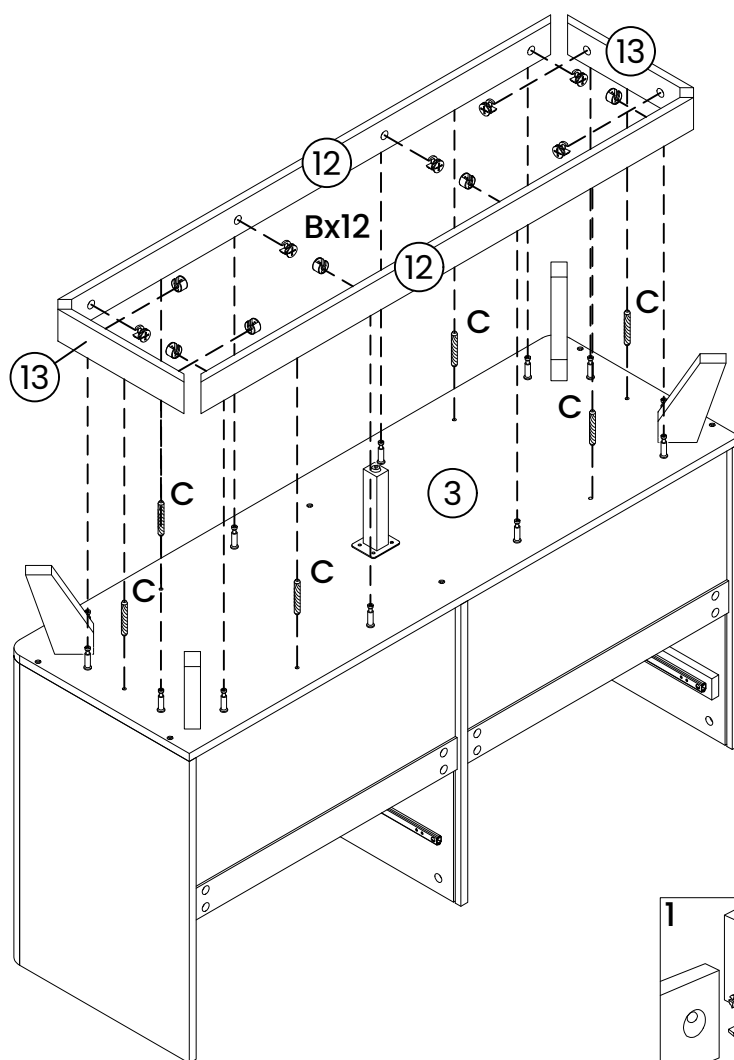


- C  x6
- J  x6

Note:

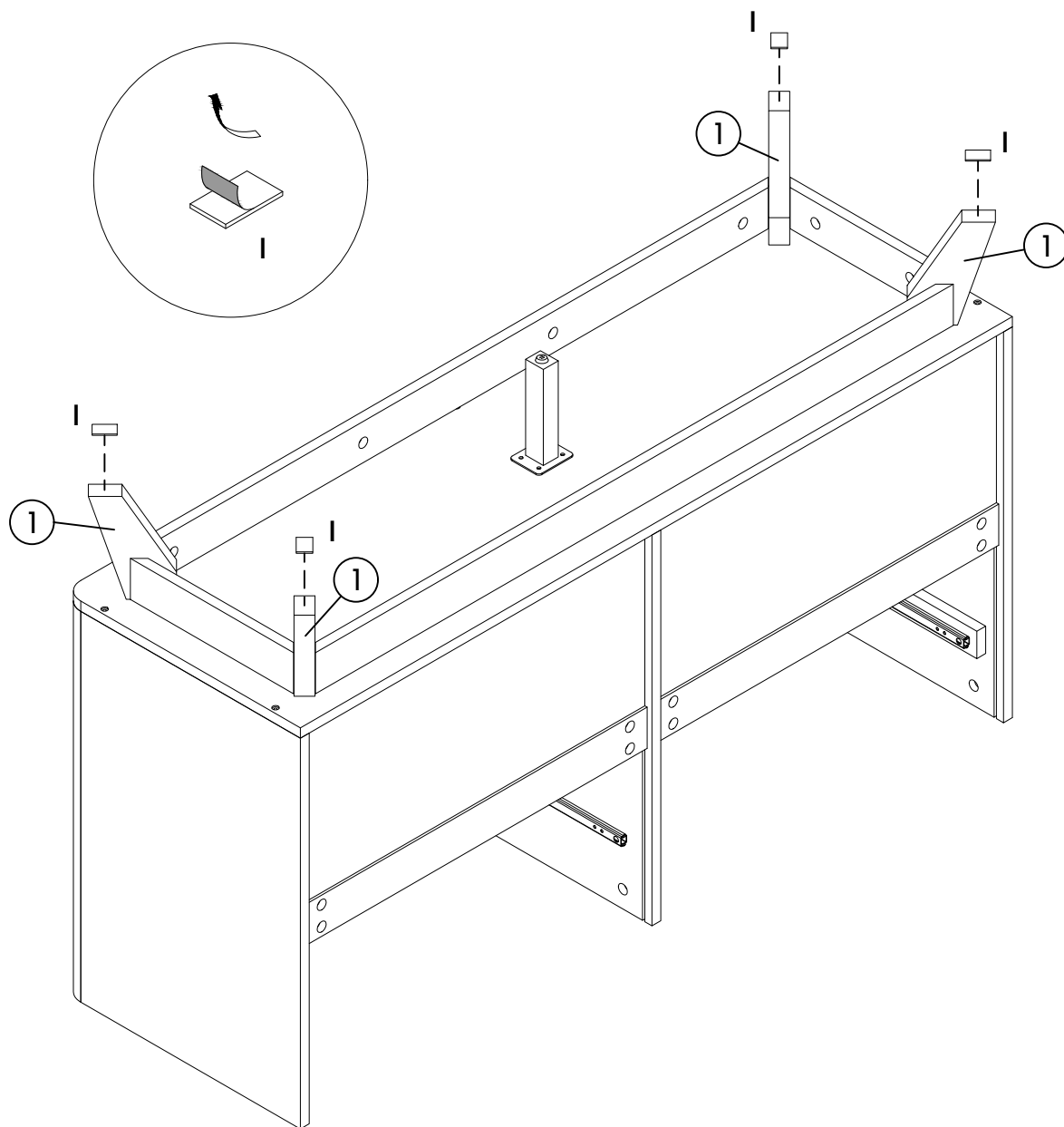
Two persons required.

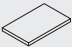
Step 19 / 31



Note:

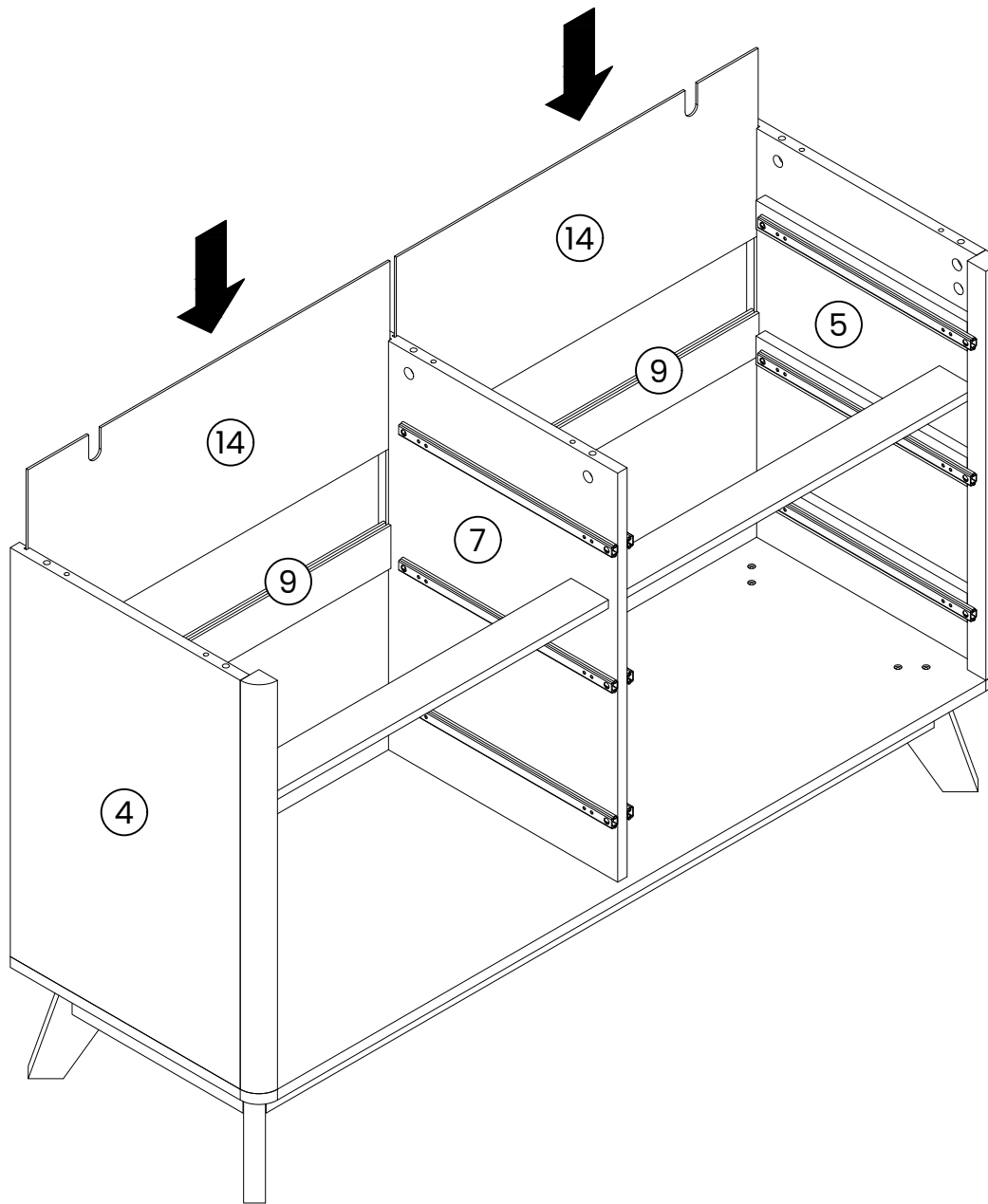
Step 20 / 31



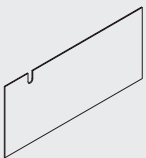
1  x4

Note:

Step 21 / 31



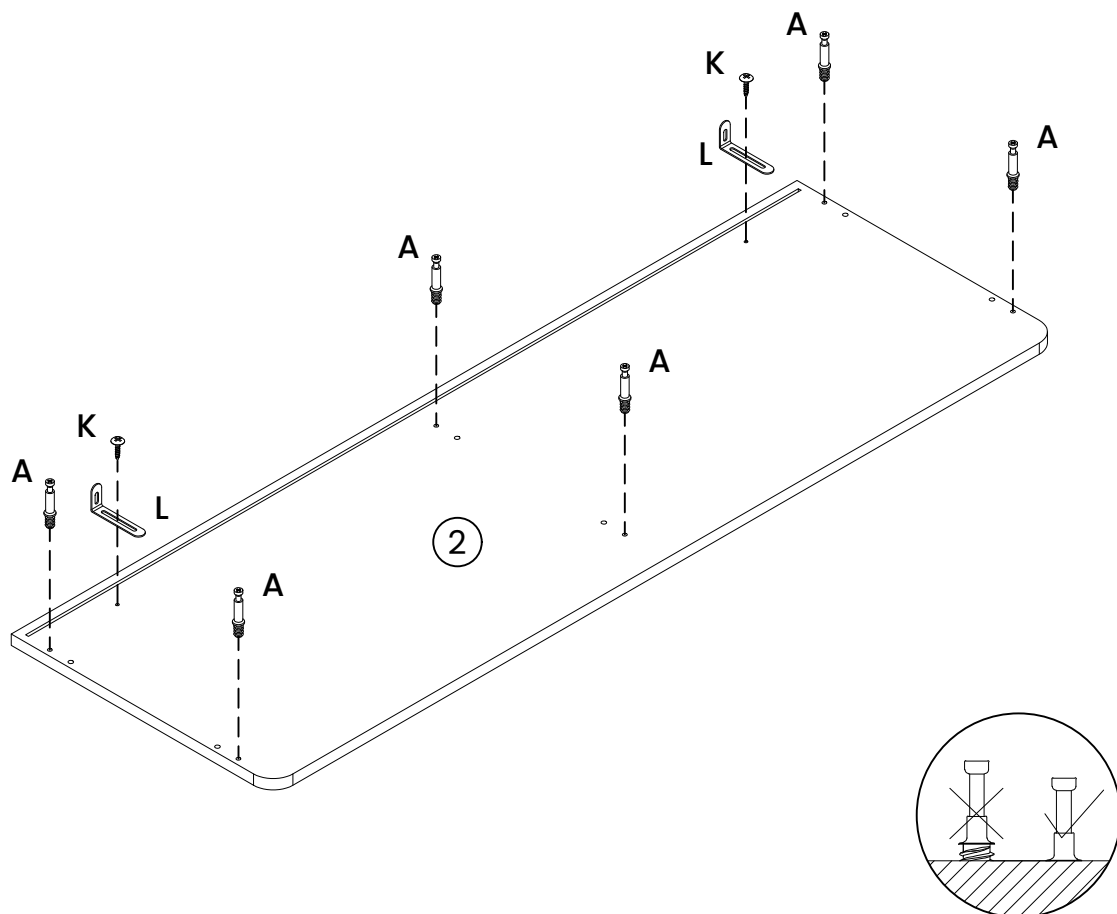
14



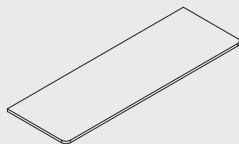
x2

Note:

Step 22 / 31



2 x1



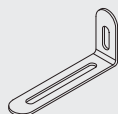
A x6



K x2

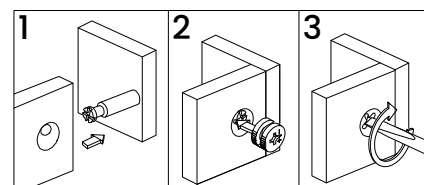
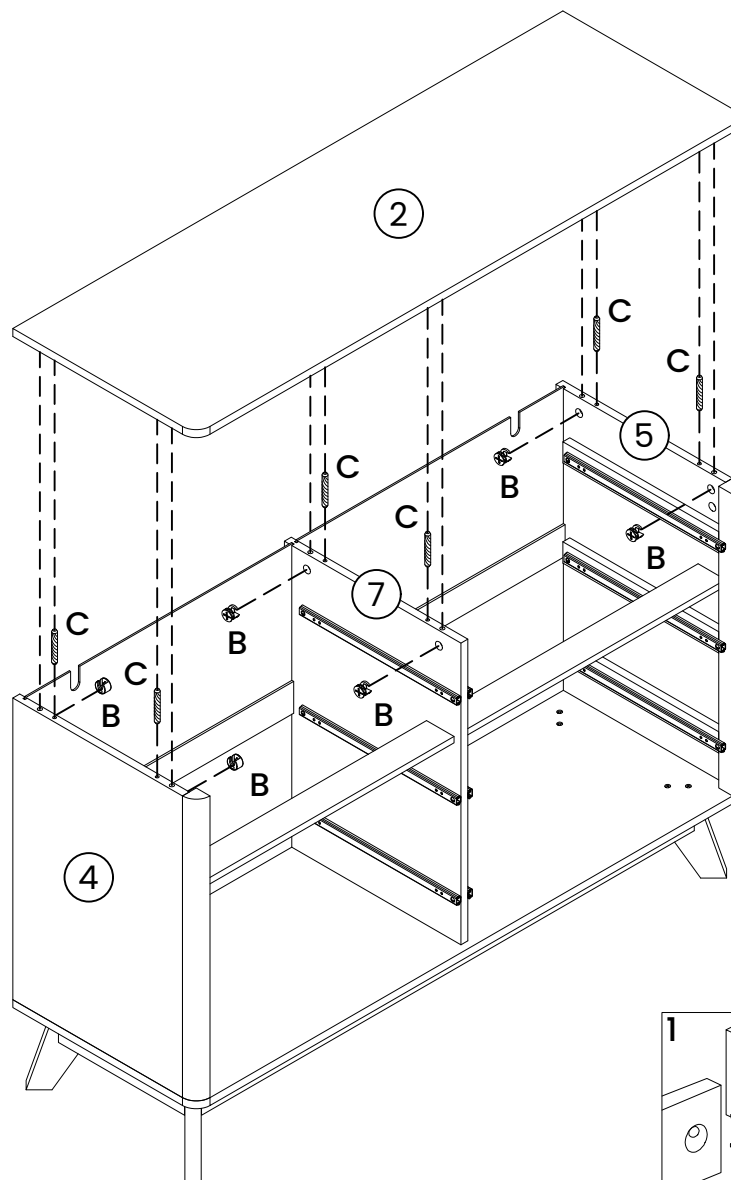



L x2



Note:

Step 23 / 31

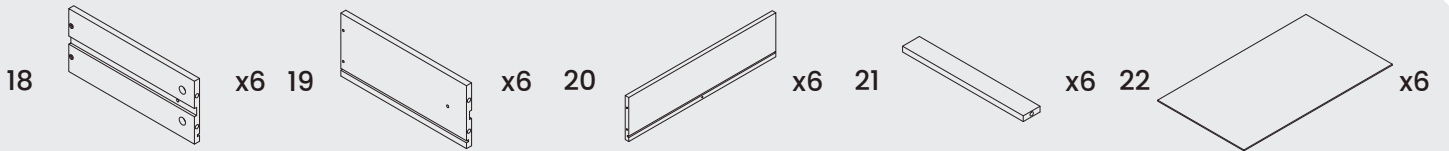
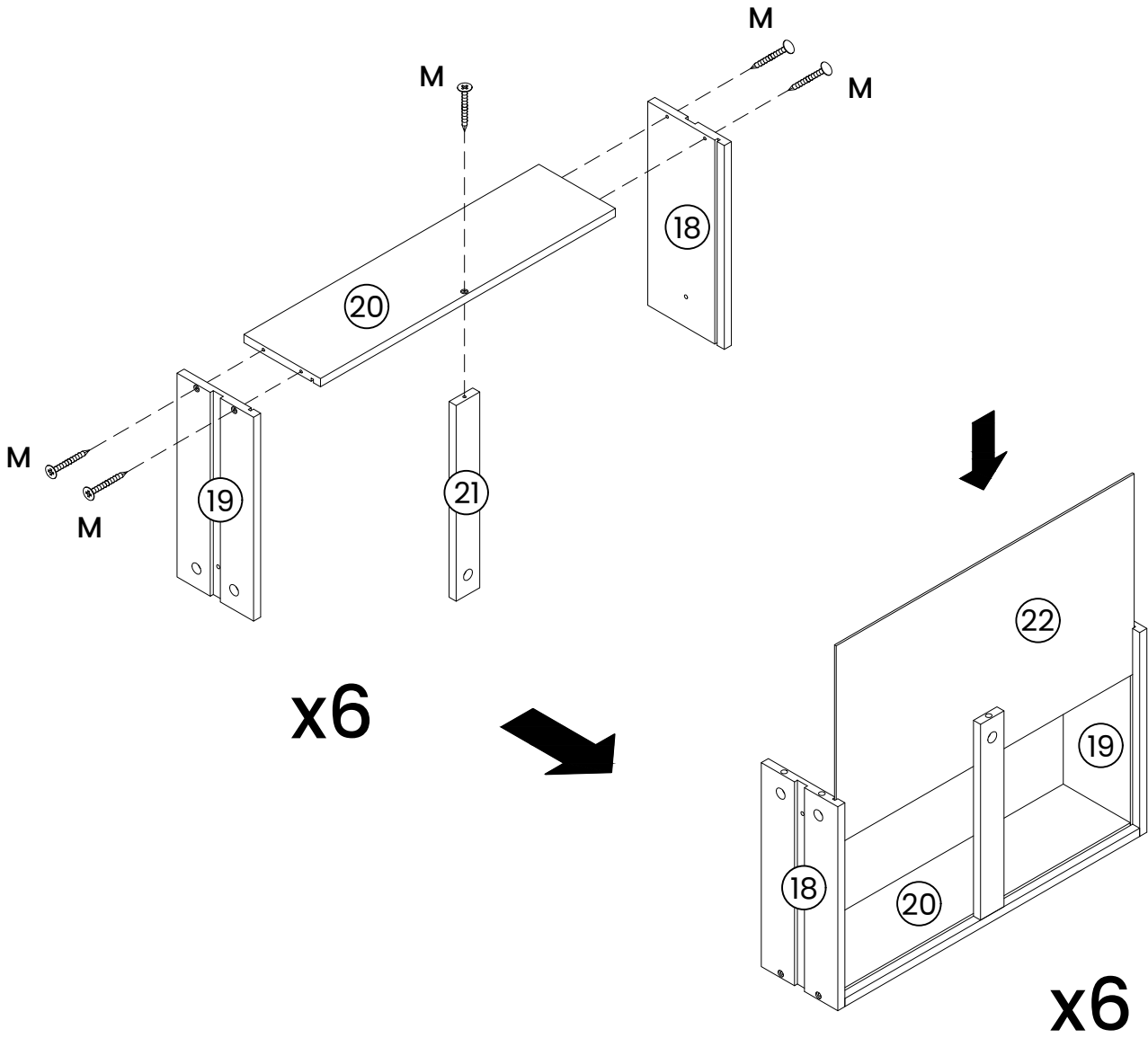


B  x6 C  x6

Note:

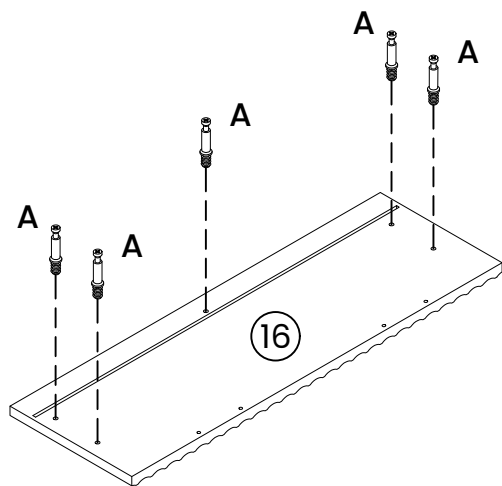
Two persons required.

Step 24 / 31

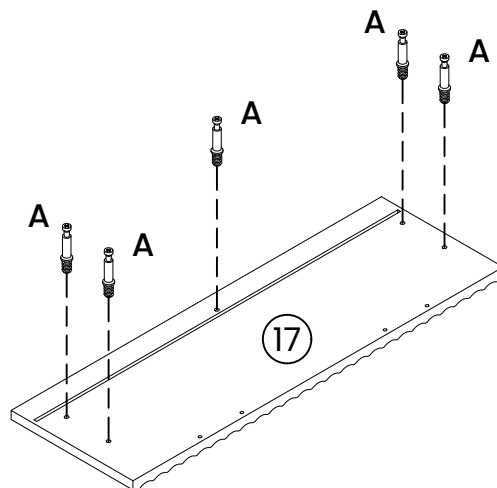


Note:

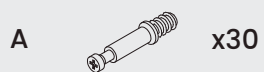
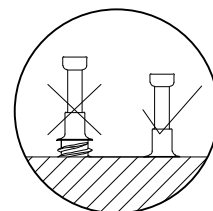
Step 25 / 31



x3

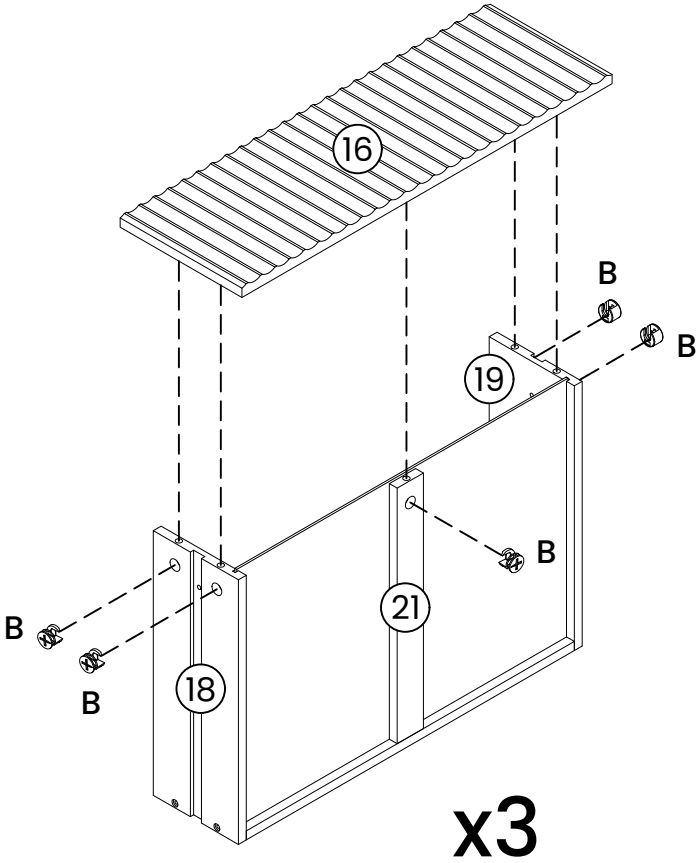
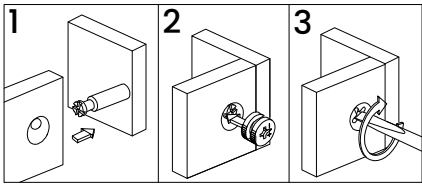


x3

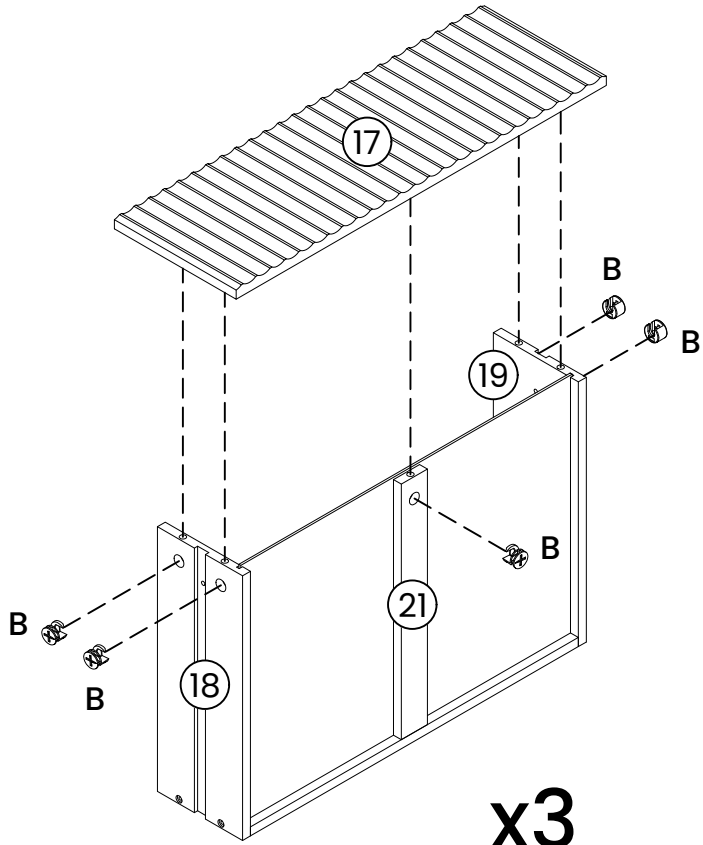


Note:

Step 26 / 31



x3

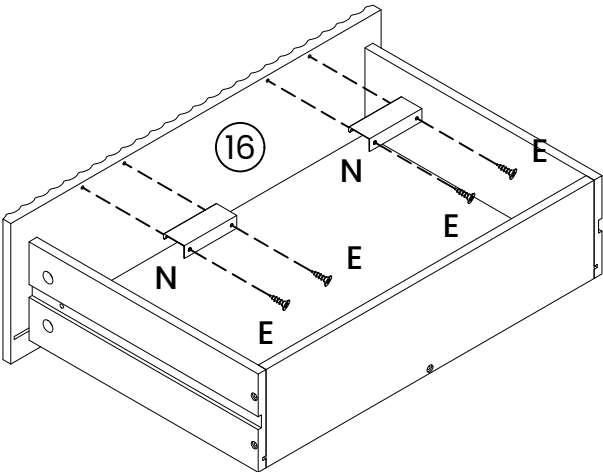


x3

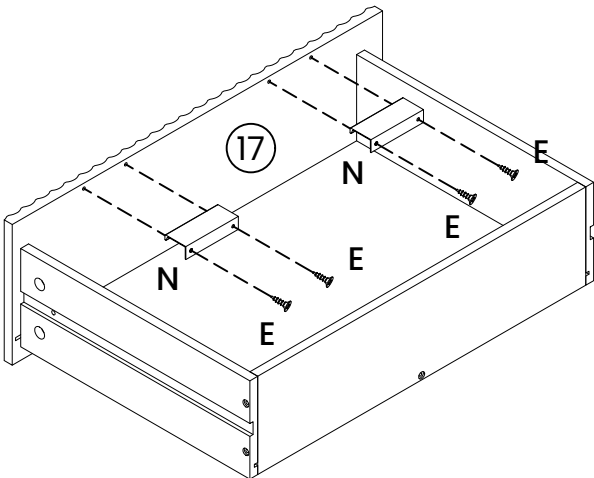
B  x30

Note:


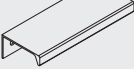
Step 27 / 31



x3

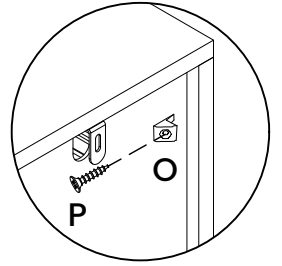
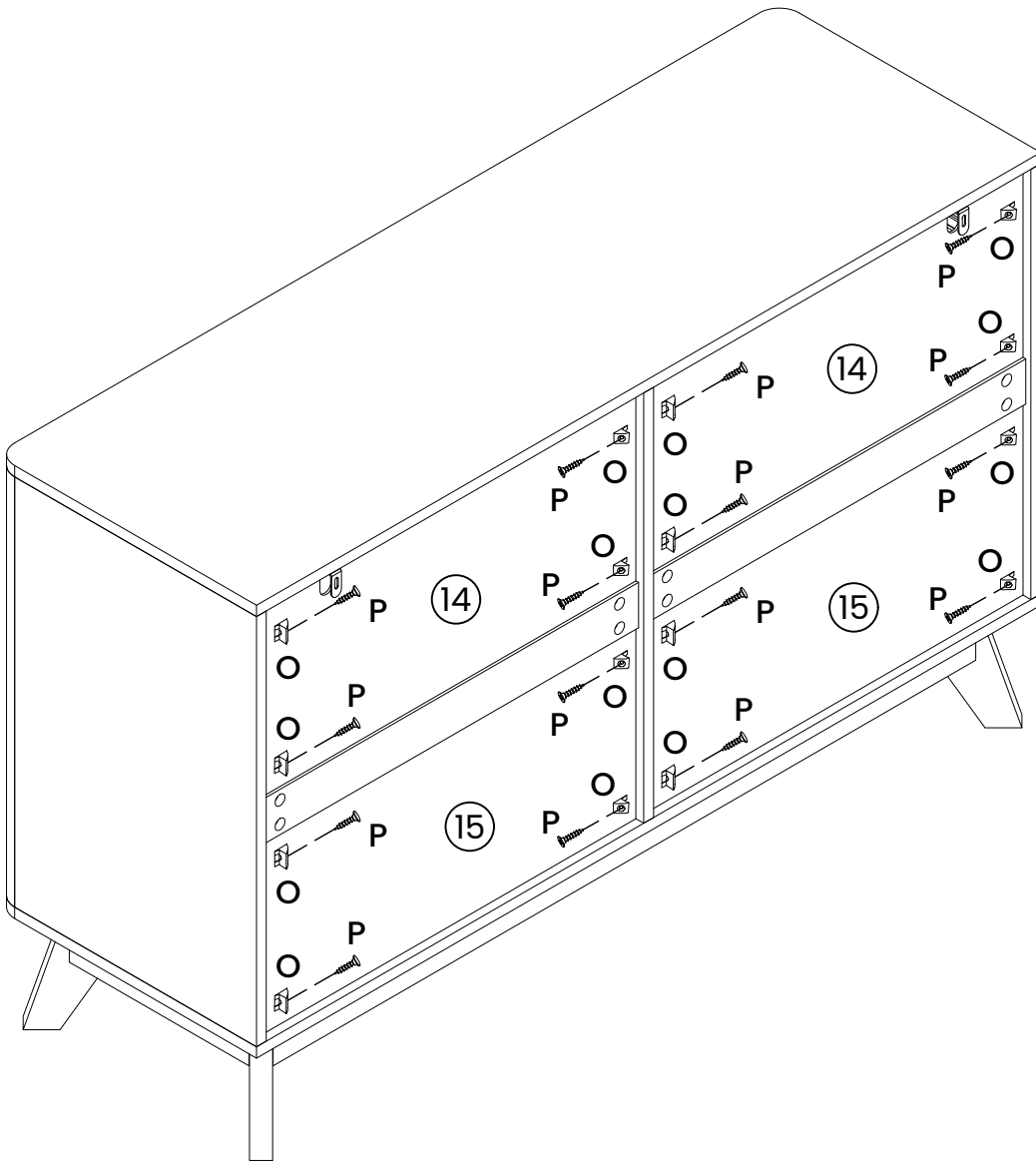




x3

E  x24 N  x12

Note:

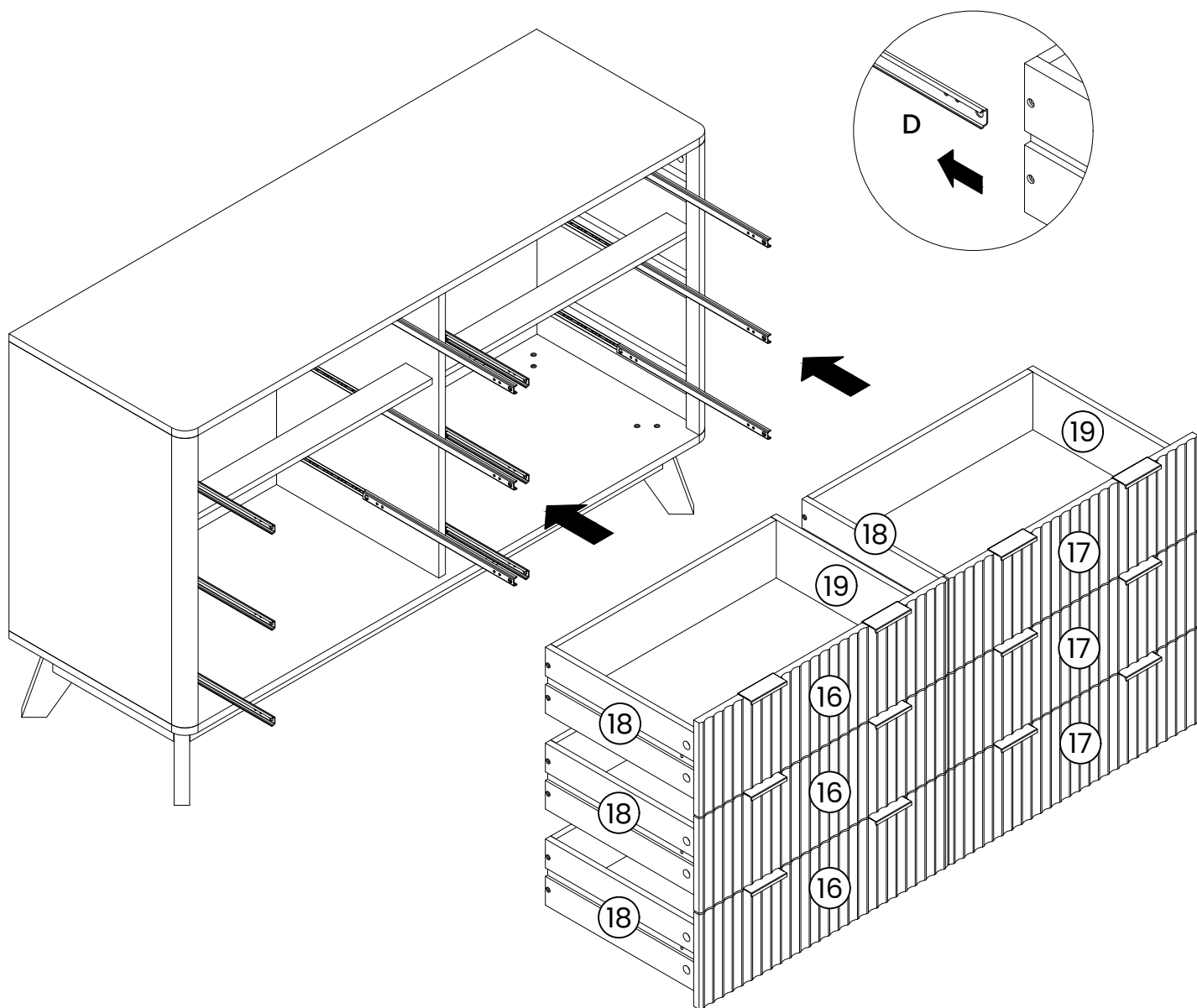
Step 28 / 31



O  x16 P  x16

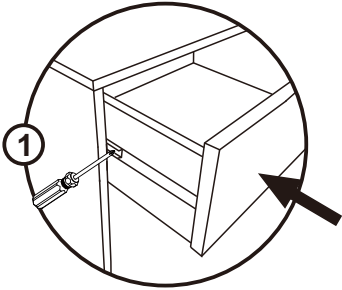
Note:

Step 30 / 31

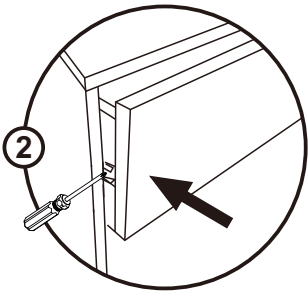


Note:

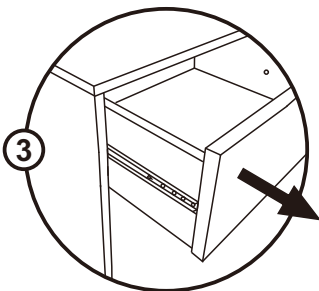
You may need patience to get a perfect smooth slide of drawer experience, and we appreciate your patience. Asking for a second person to assist you will simplify the process.



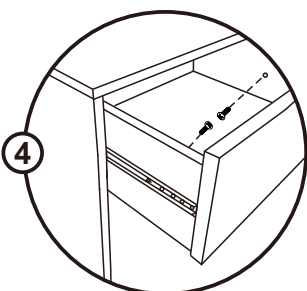
1.Align Components: Position the groove on the drawer side to match the rail profile. Insert a precision tool (e.g., screwdriver tip) into the outermost hole of the slide rail. Ensure both sides are aligned symmetrically.



2.Slide Drawer Inward: Gently push the drawer into the cabinet until slide come up against drawer front. This step needs to be done simultaneously for both sides.

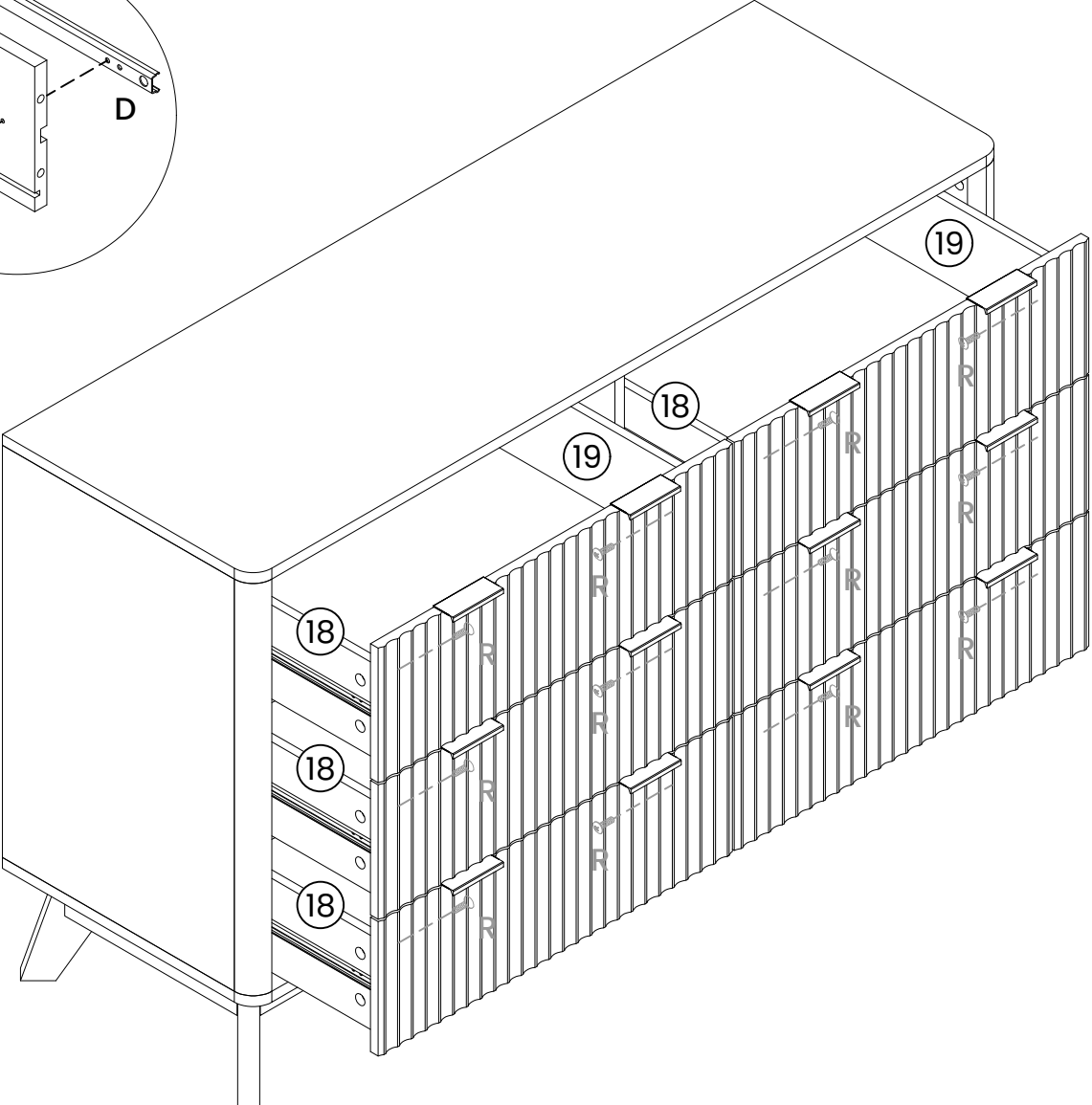
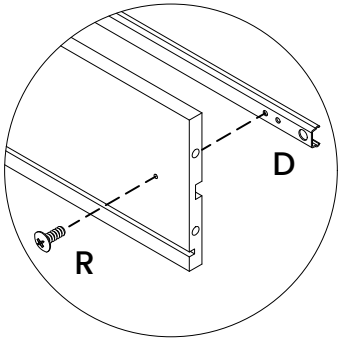


3.Secure & Adjust: While maintaining pressure on the tool, slowly pull the drawer outward until slide can not be moved.



4.Finalize Installation: Locate the pre-drilled mounting holes where the rails meet the drawer sides. Securely tighten all screws on both sides.

Step 31 / 31



R  x12

Note:

Screw R needed to be installed from inside of the drawer to outside.

**Thank you for choosing us.
We appreciate your business
and hope you enjoy your new product.**

