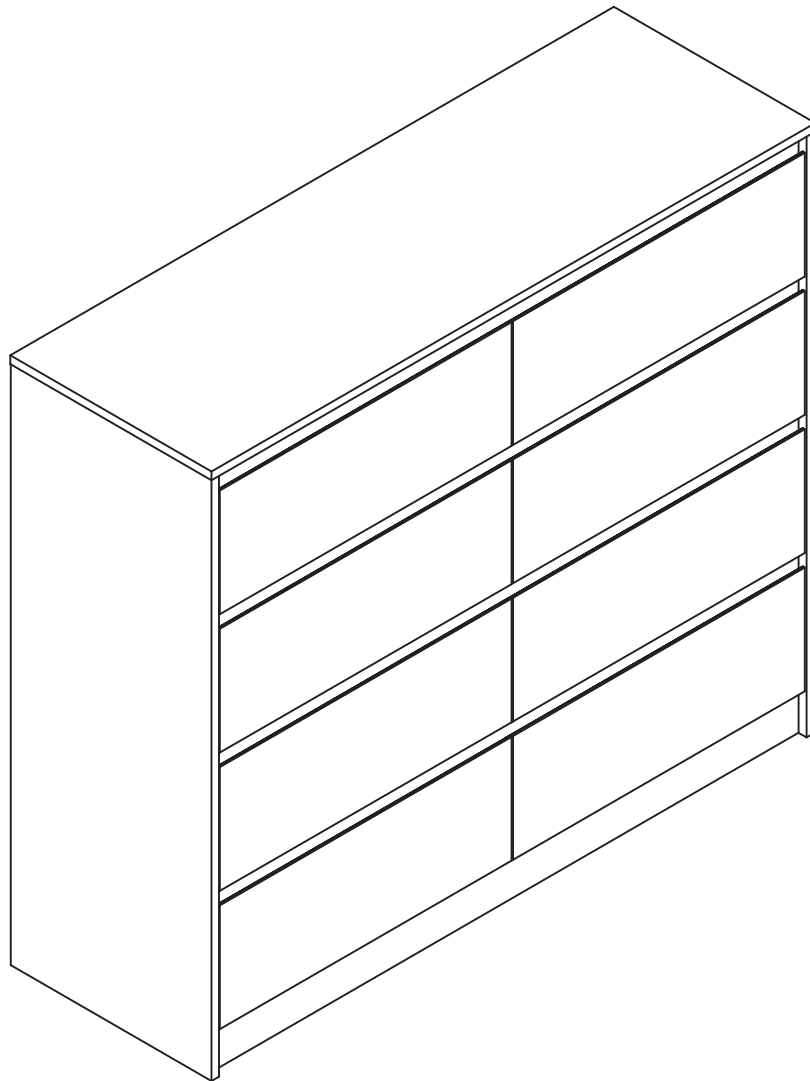
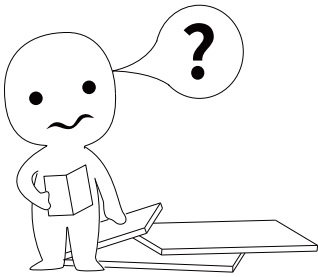


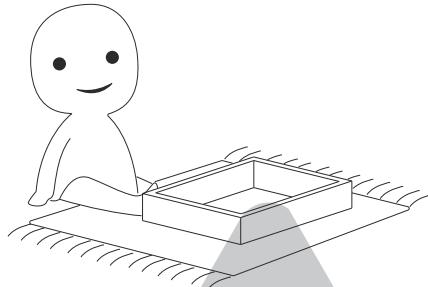
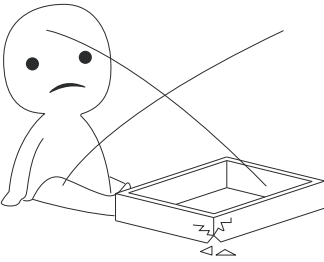
Chest drawers





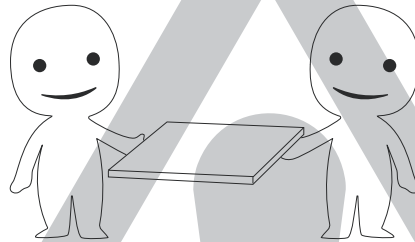
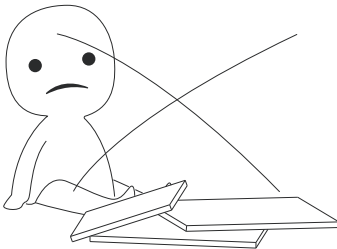
IMPORTANT INFORMATION!

please read the entire manual before starting to assemble and/or using this product. follow the manual thoroughly and keep it for further reference.



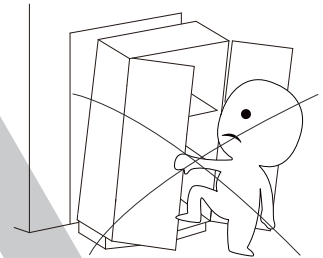
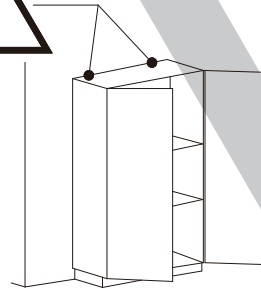
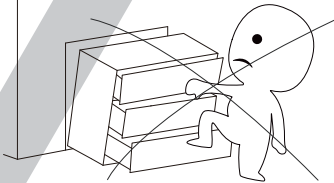
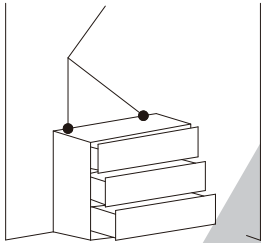
AVOID SCRATCHES!

In order to avoid scratching this furniture should be assembled on a soft layer- could be a rug.



IMPROVE EFFICIENCY !

Try to find a partner to install with you, which can speed up the installation efficiency and shorten the time.



ANTI-TOPPLE WARNING !

Overtured furniture can cause serious or fatal crush injuries. To prevent tipping over, be sure to use the wall attachment, if not included with this product. Please purchase the wall attachment that fit your wall. If unsure, seek professional advice. Please read and follow each step of the instructions carefully.

IMPORTANT !

It is important that any product which is assembled using any kind of screw is re-tightened 2 weeks after assembly, and once every 3 months - in order to assure stability through-out the lifespan of the product.

For regular maintenance and cleaning of the product, for the frame, please use a rag dipped in neutral detergent to fully wipe it, and then dry it with a clean rag. For glass materials, wipe with a rag dampened with water glass cleaner, and then dry with a dry rag.

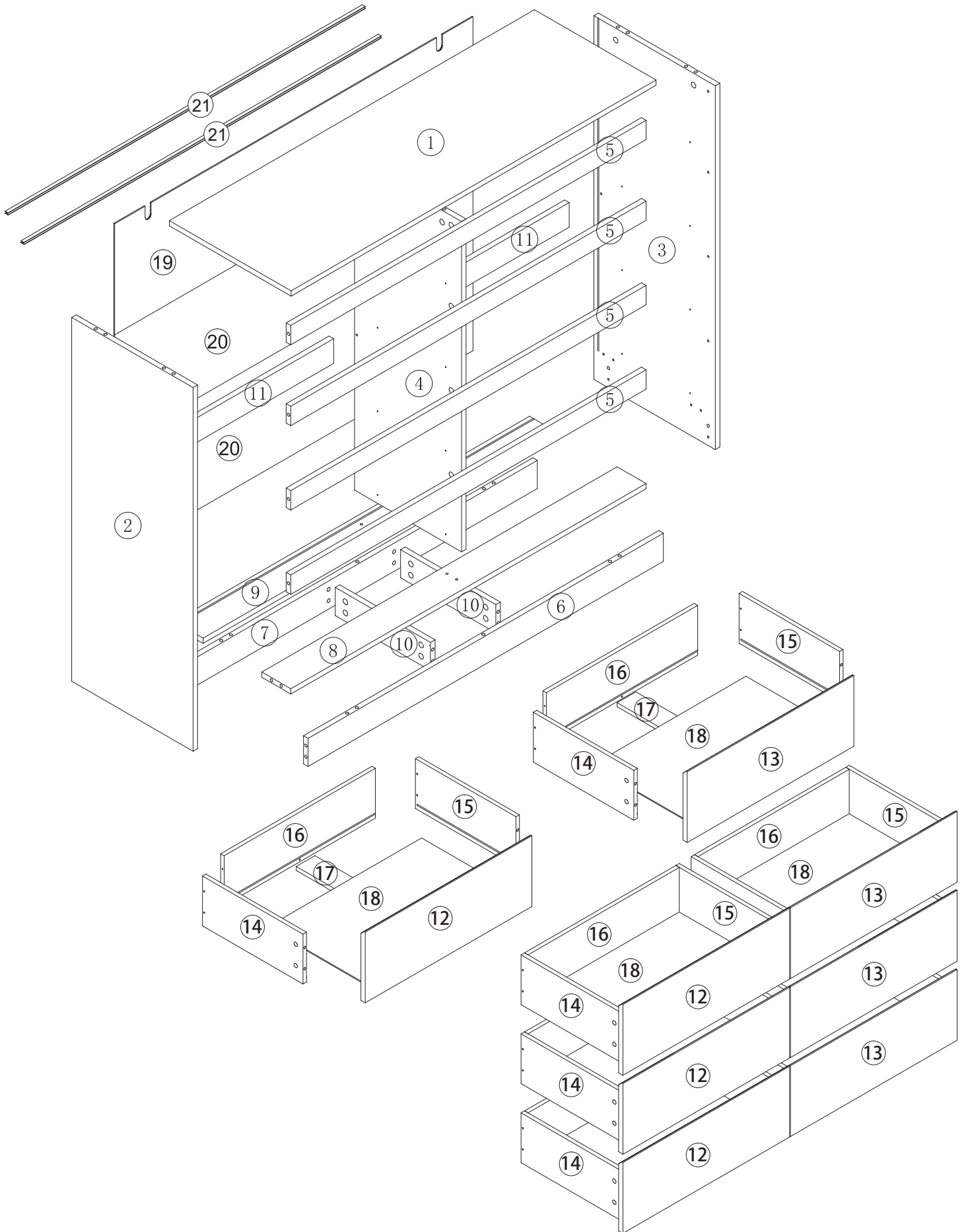
An electric screwdriver can be used, but don't install it with too much force, because the board is easy to break.

SAFETY TIPS:

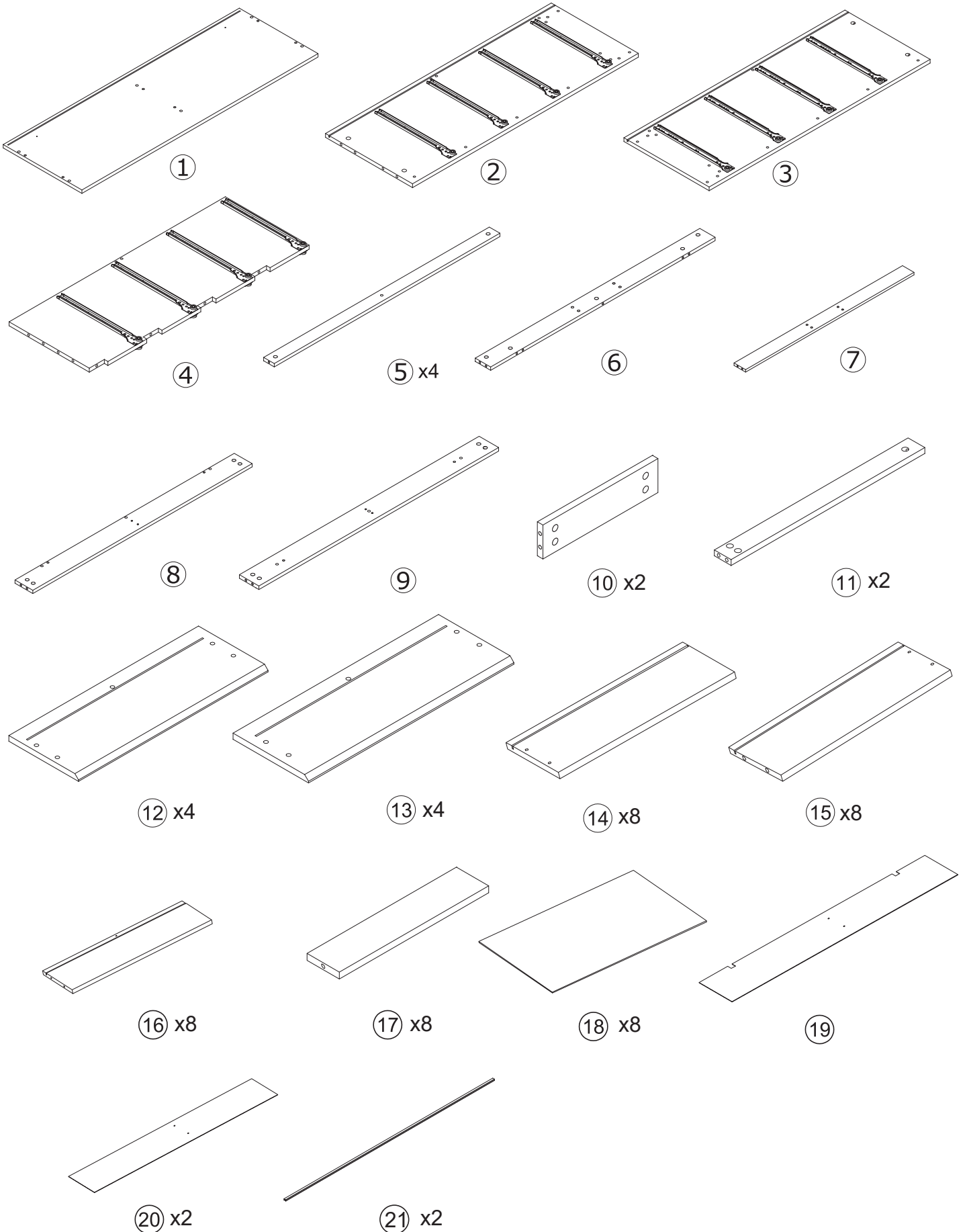
Static charge may cause dust on foam- clean with a dry or damp cloth. Small foam strands may be present - handle gently and dispose of properly. Do not burn or incinerate. Check local recycling guidelines.

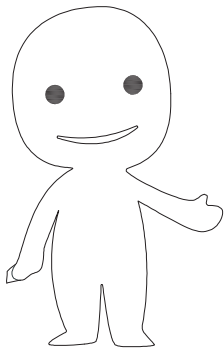
Peel off film before use!

Board Identification

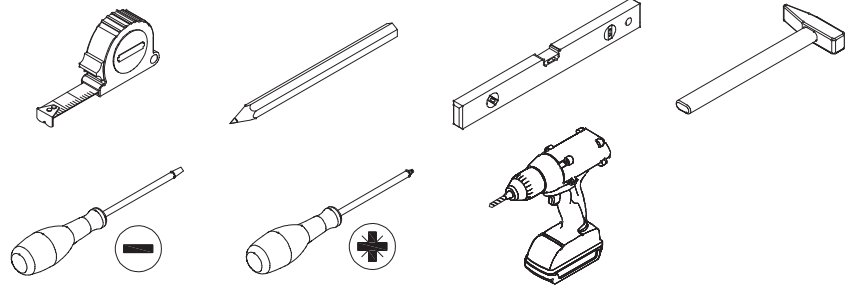


PARTS LIST



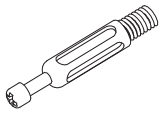


Please prepare the following tools



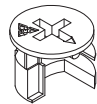
When installing, please carefully confirm whether each screw corresponds to the manual, accessories with similar shapes can be distinguished by size

A x 90



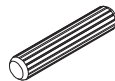
Ø7 x 40 mm

B x 90



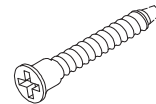
Ø15 x 9.5 mm

C x 14



Ø8 x 40 mm

D x 44



Ø5 x 40 mm

E x 32



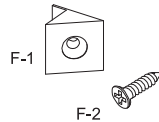
Ø3.5 x 12 mm

F x 6



Ø4 x 14 mm

G x 20



H x 90



Ø20 mm

I x 8



Ø13 mm

J x 2



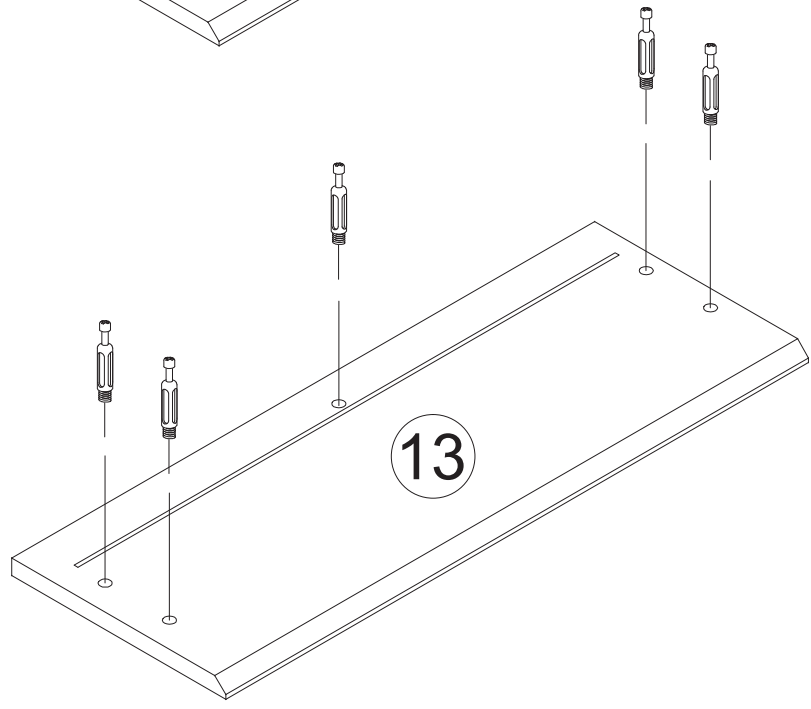
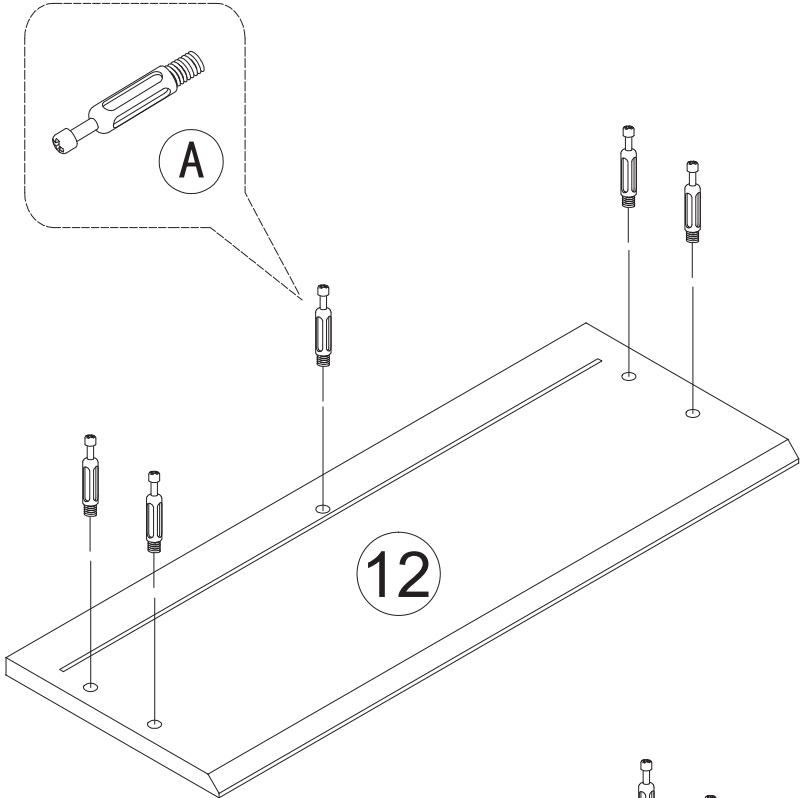
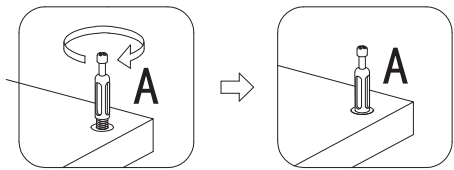
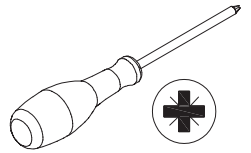
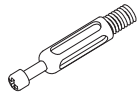
DL+DR x 8



Hardware

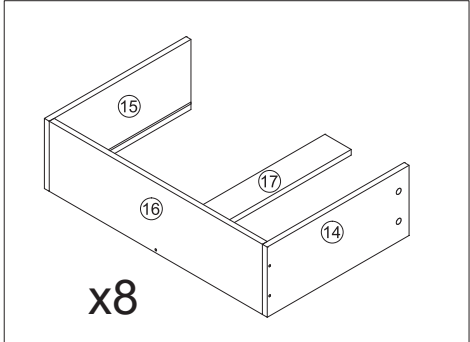
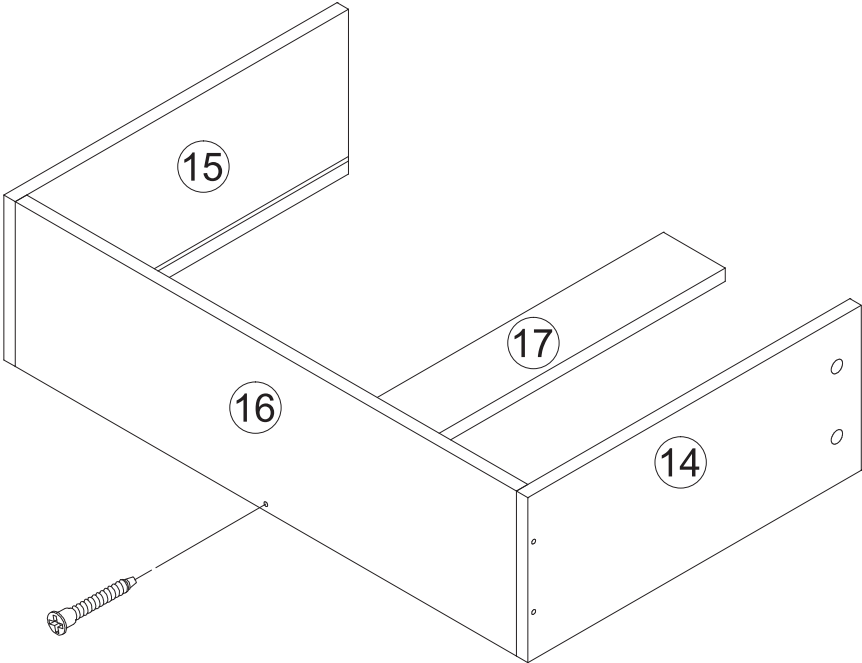
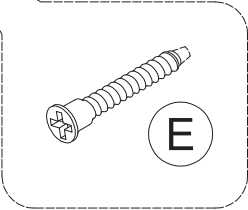
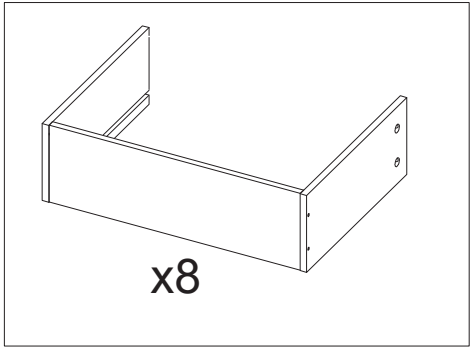
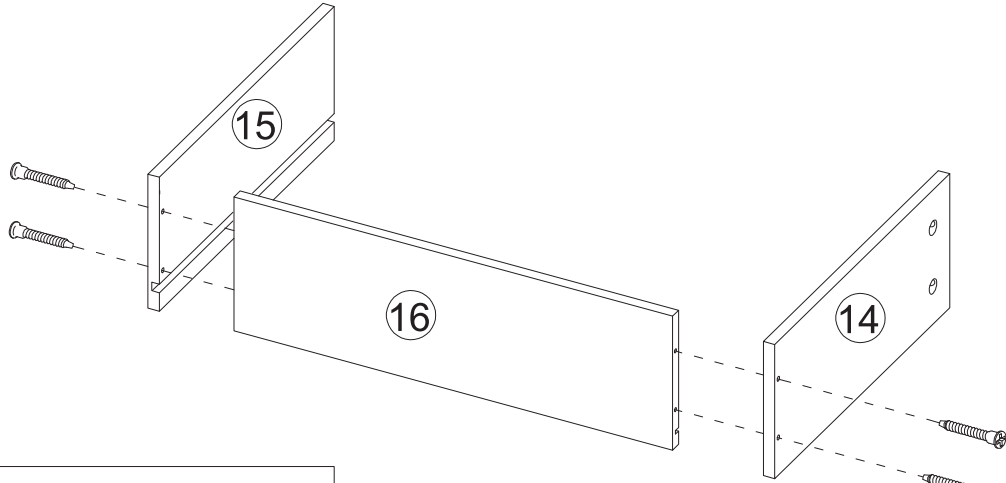
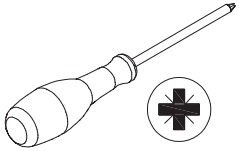
1

A x 36
Ø7 x 40 mm

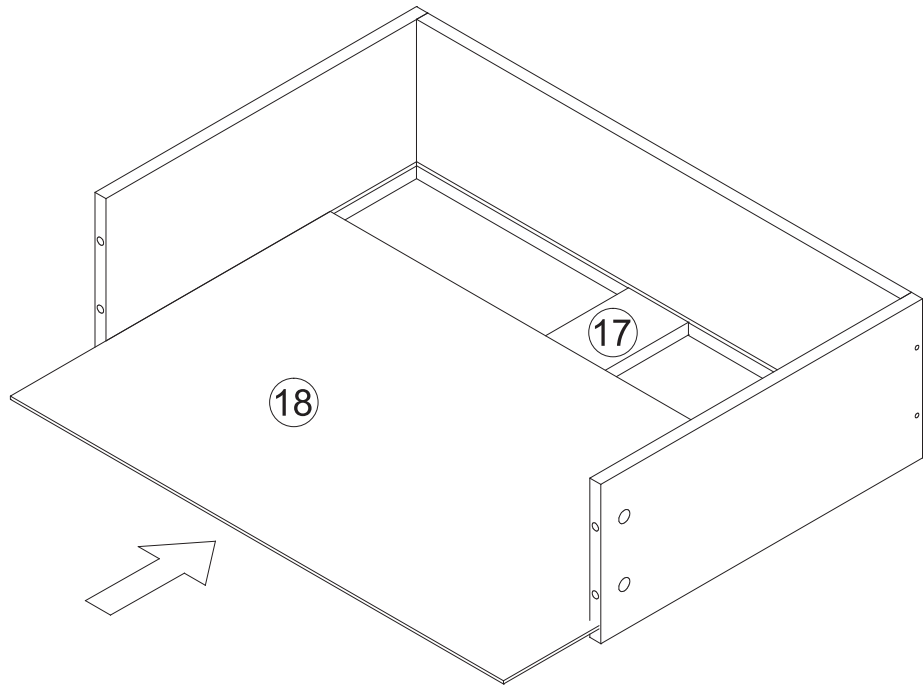
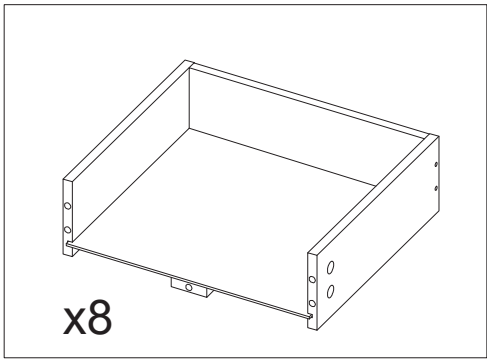
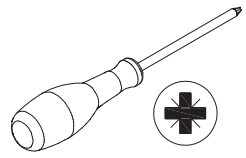


2

D x 40
Ø5 x40 mm

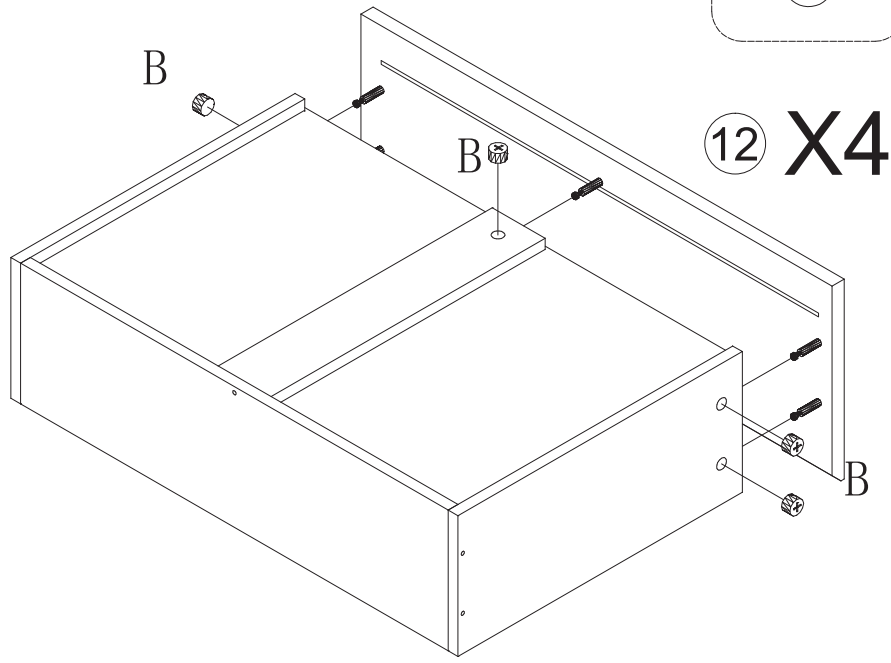
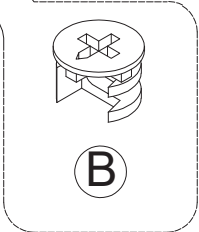
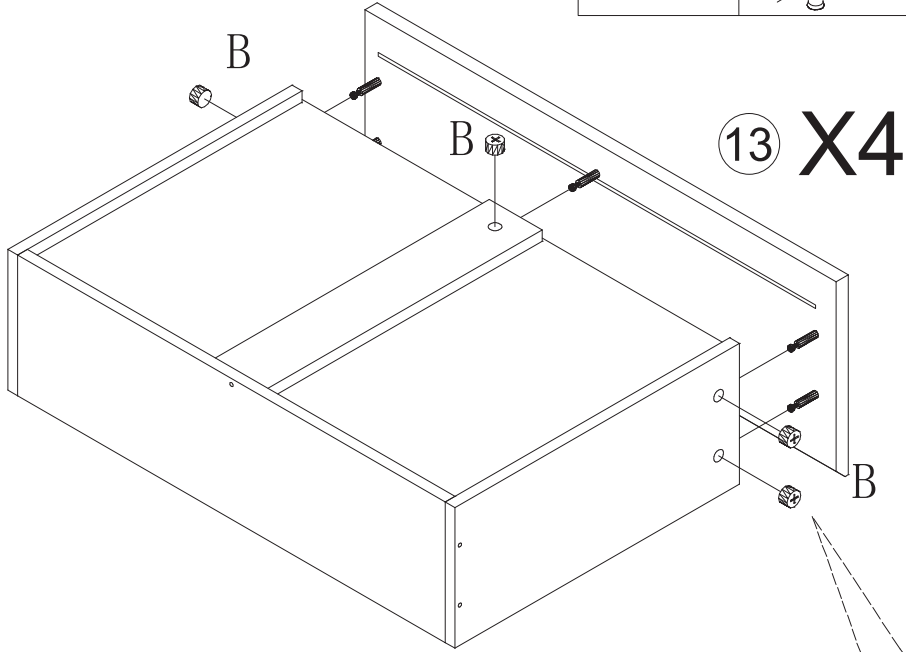
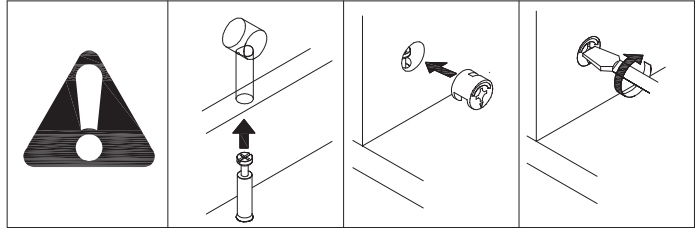
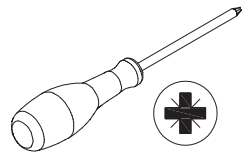


3


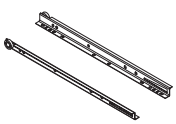
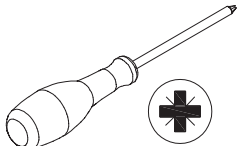


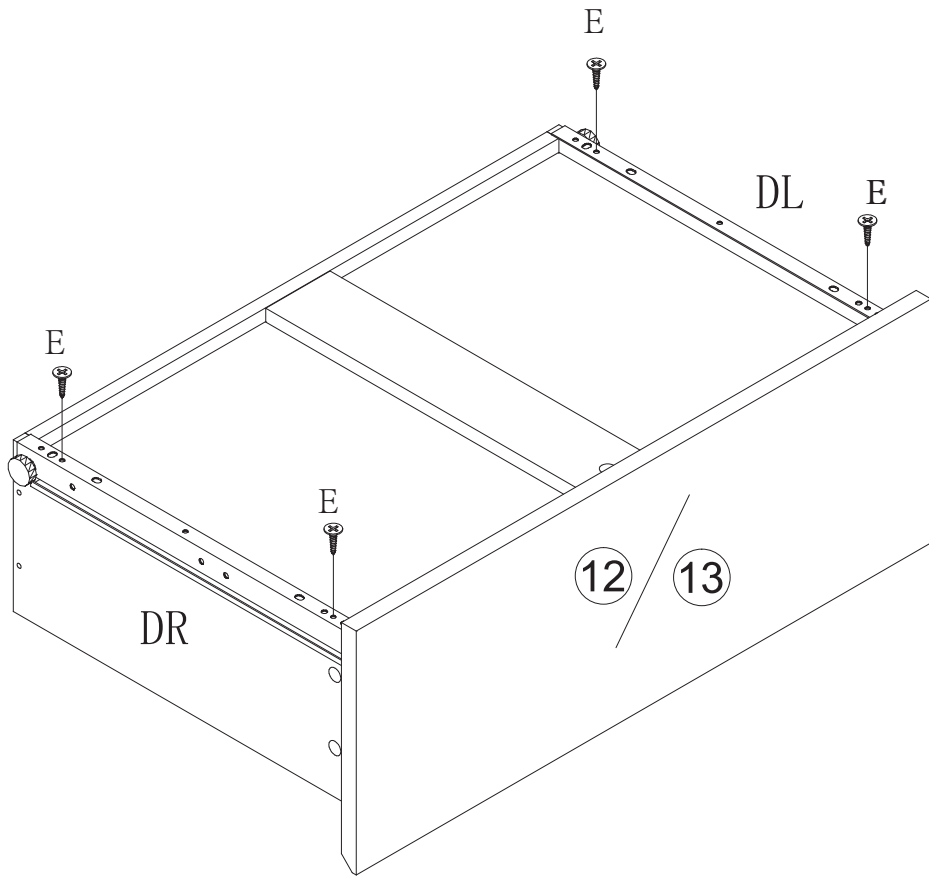
4

B x 40
Ø15 x 9.5 mm



5

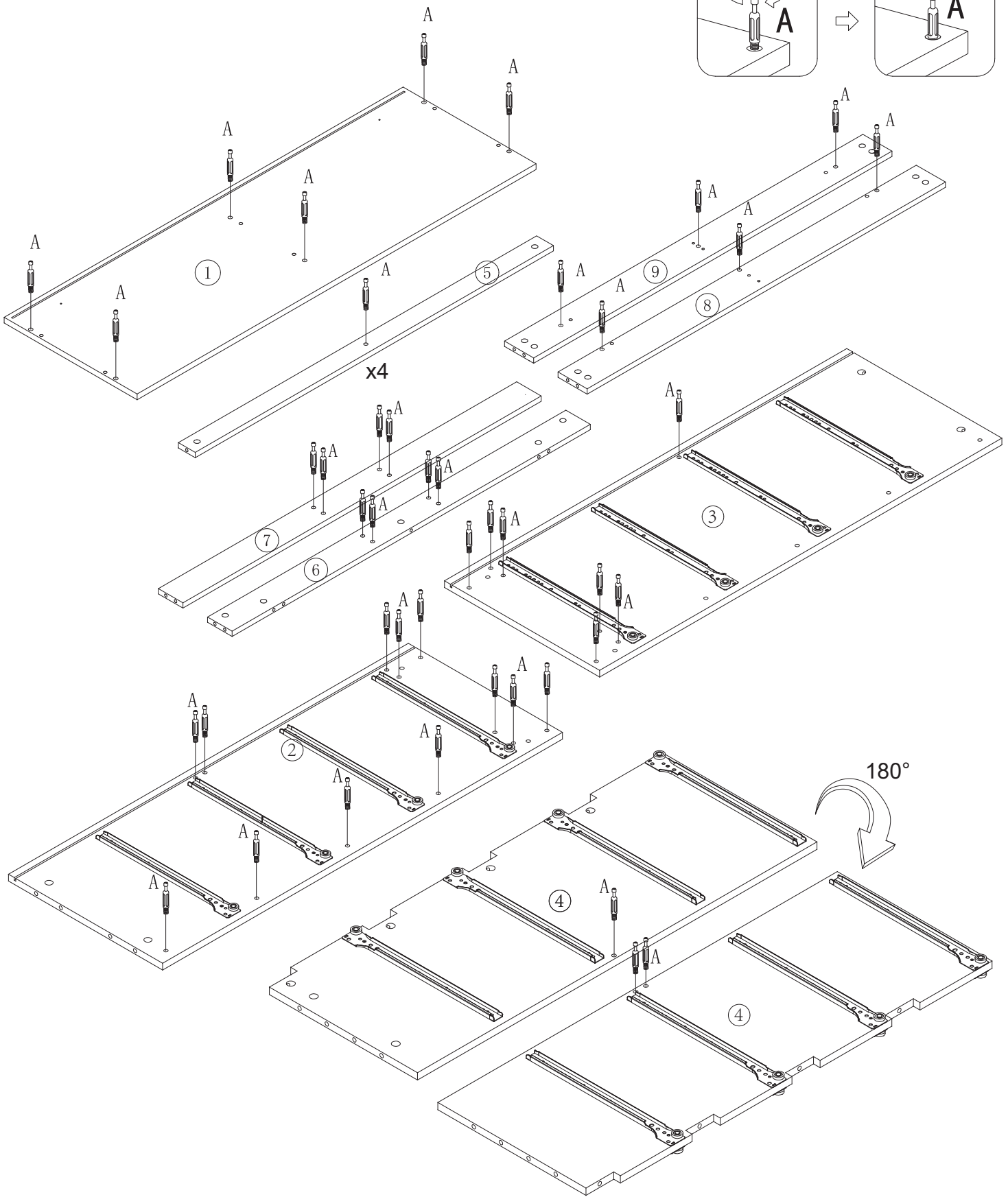
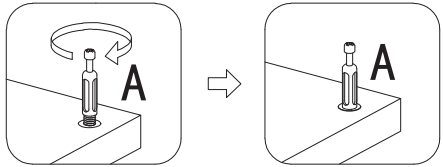
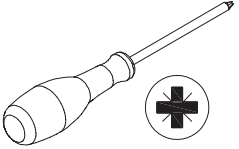
<p>E x 32</p>  <p>Ø3.5 x 12 mm</p>	<p>DR+DLx8</p> 	 
---	--	---



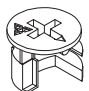
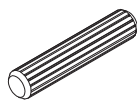
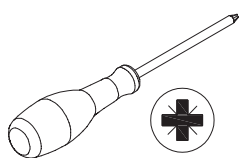
X8

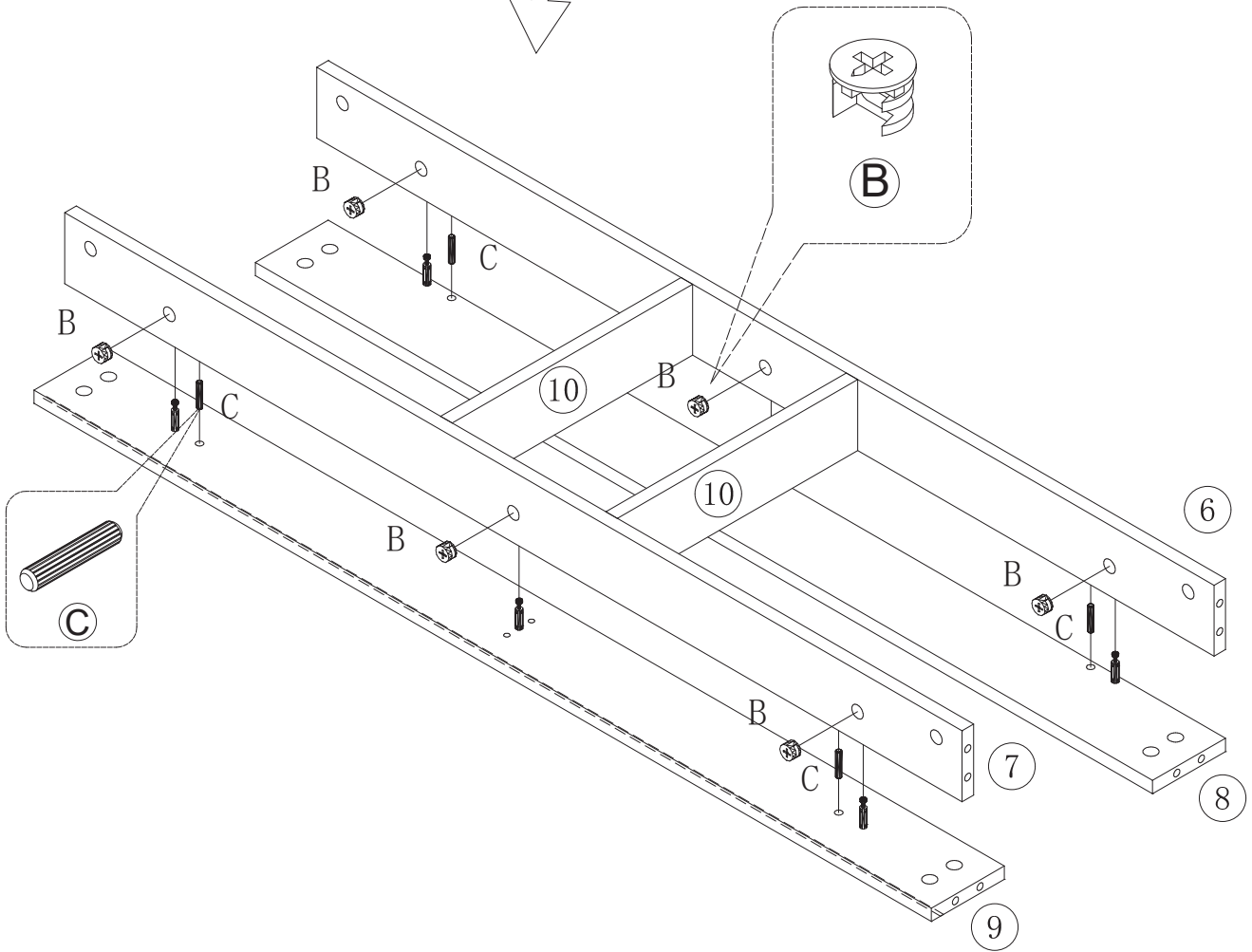
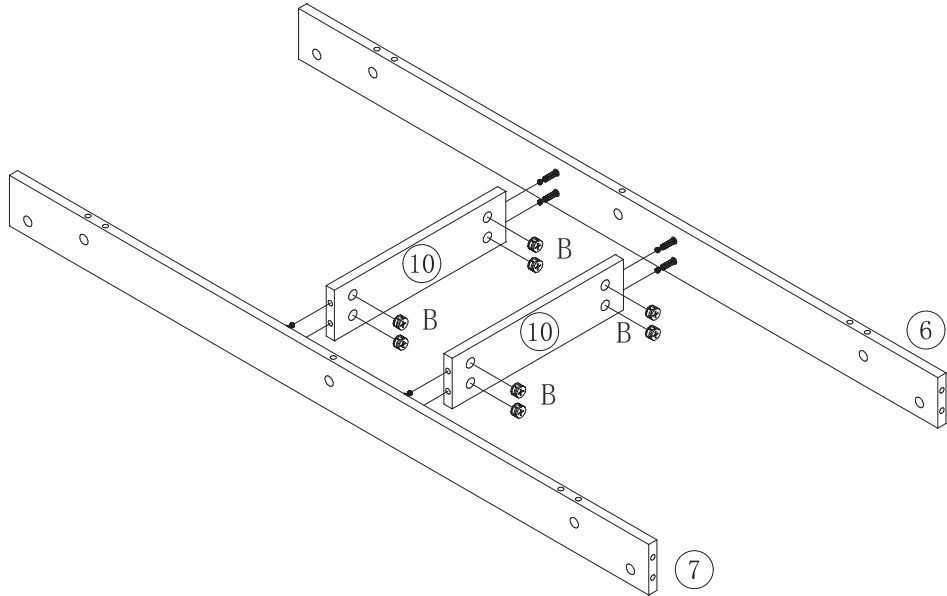
6

A x 50
Ø7 x 40 mm

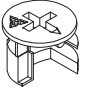
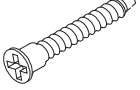
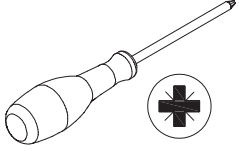


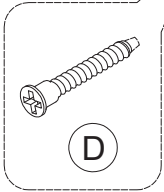
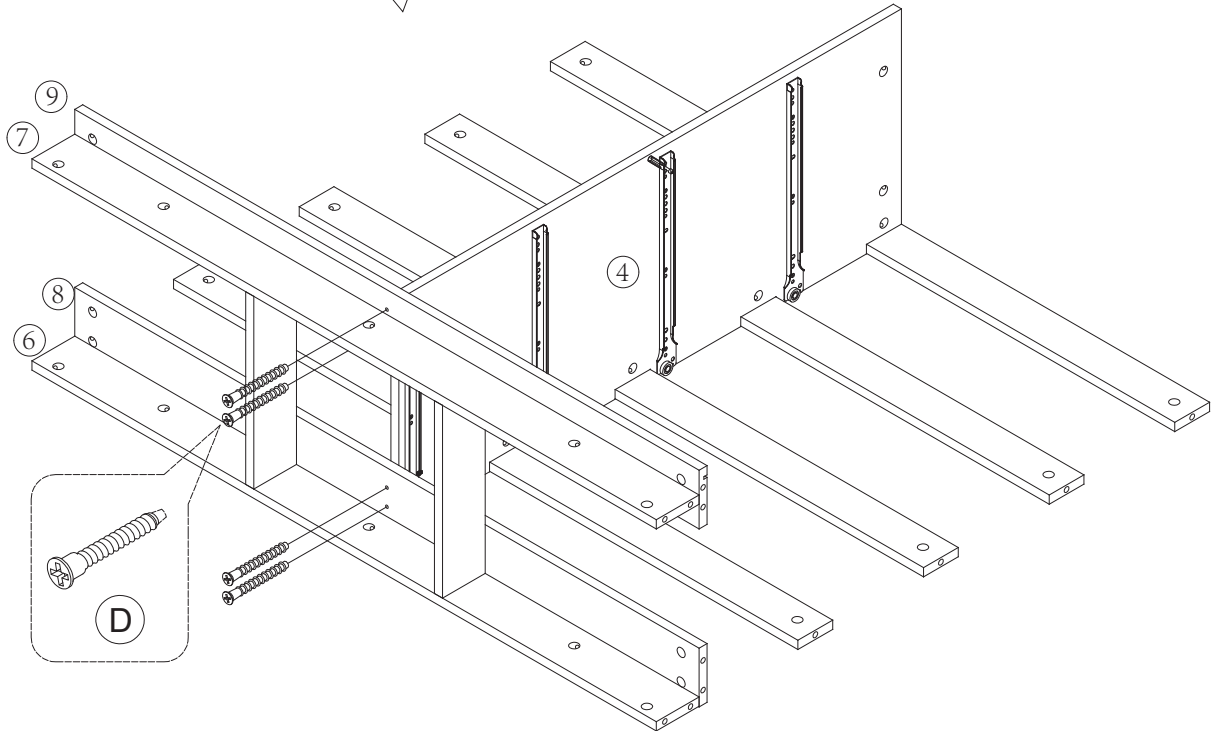
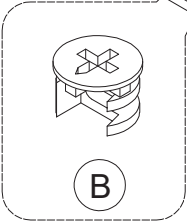
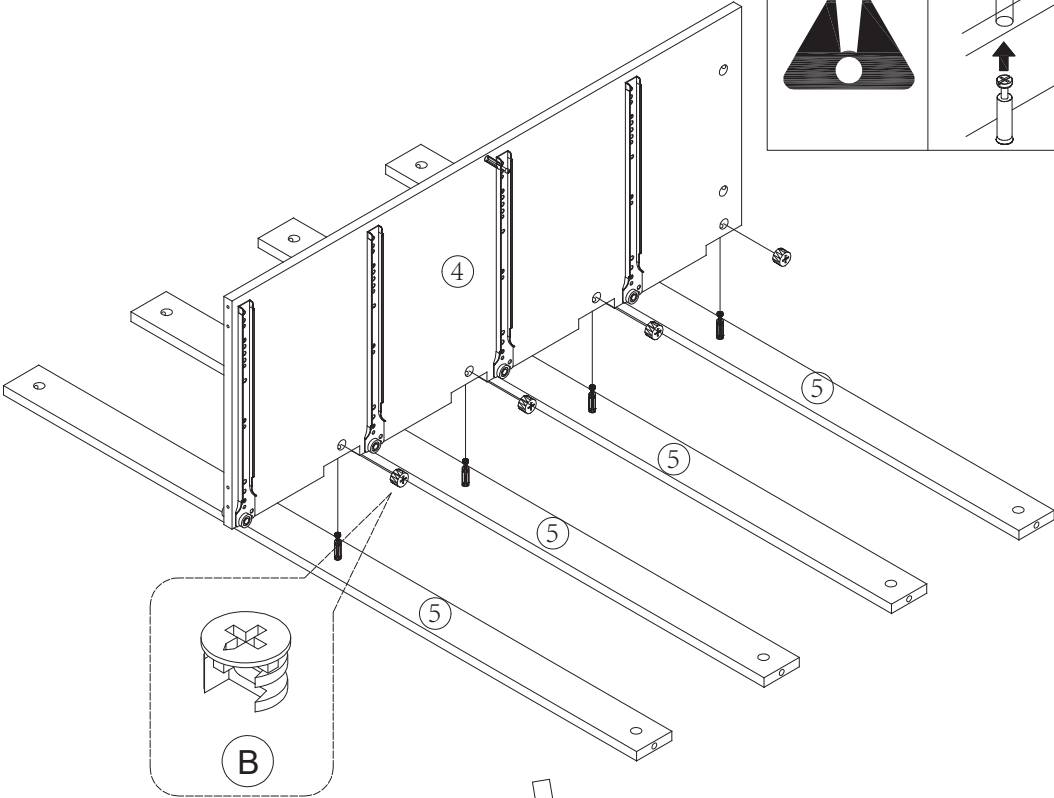
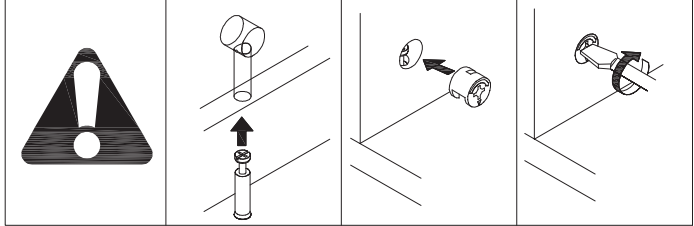
7

<p>C x 14</p>  <p>Ø15 x 9.5 mm</p>	<p>D x 4</p>  <p>Ø8 x 40 mm</p>	
---	--	---



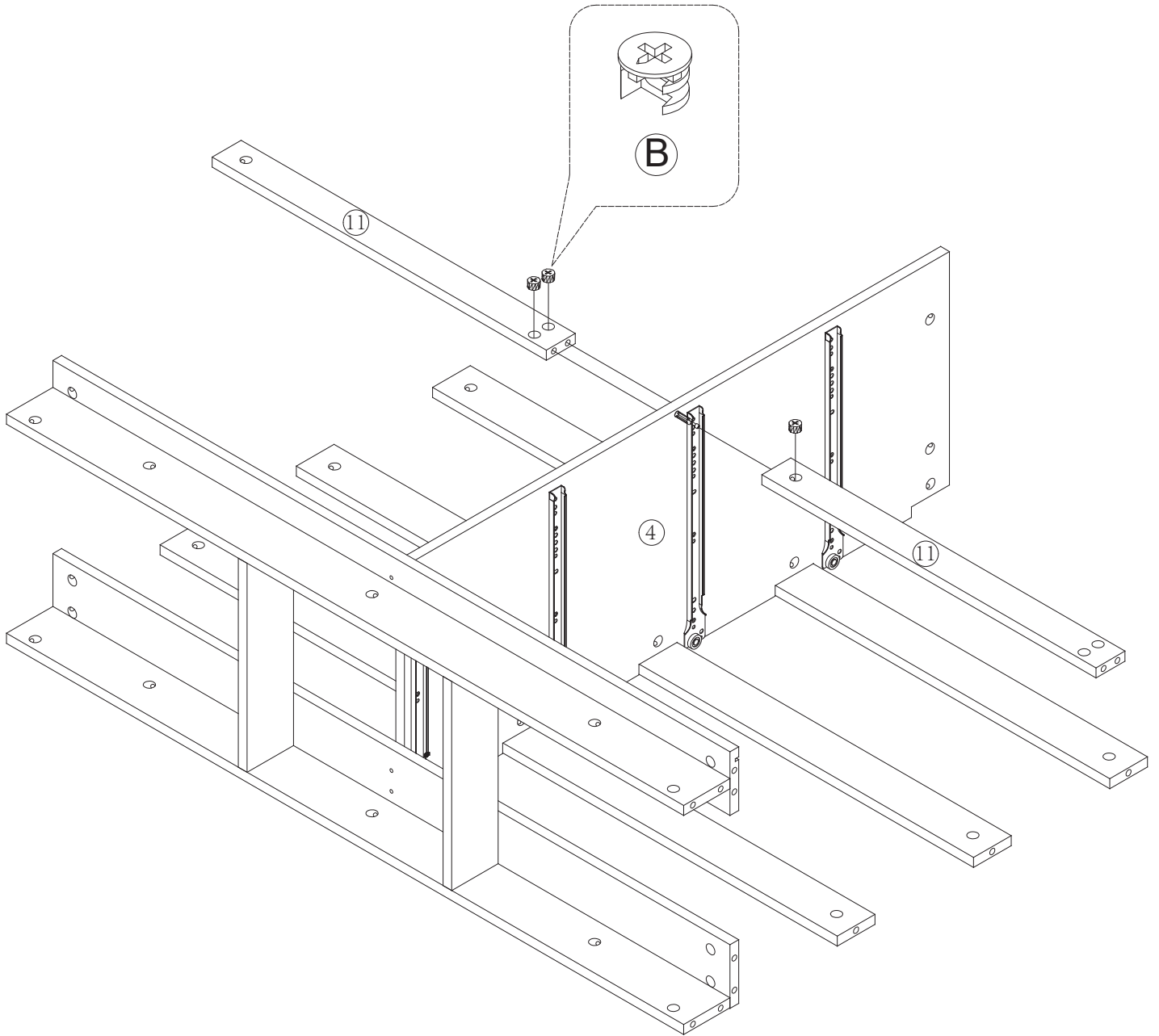
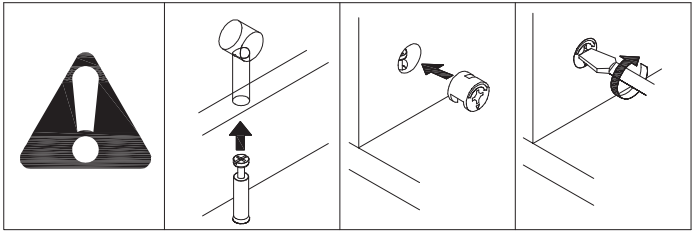
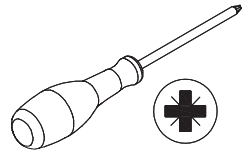
8

<p>B x 4</p>  <p>Ø15 x 9.5 mm</p>	<p>D x 4</p>  <p>Ø5 x 40 mm</p>	
--	--	---

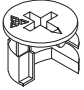
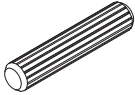
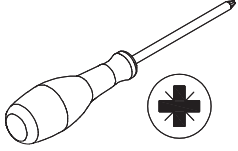


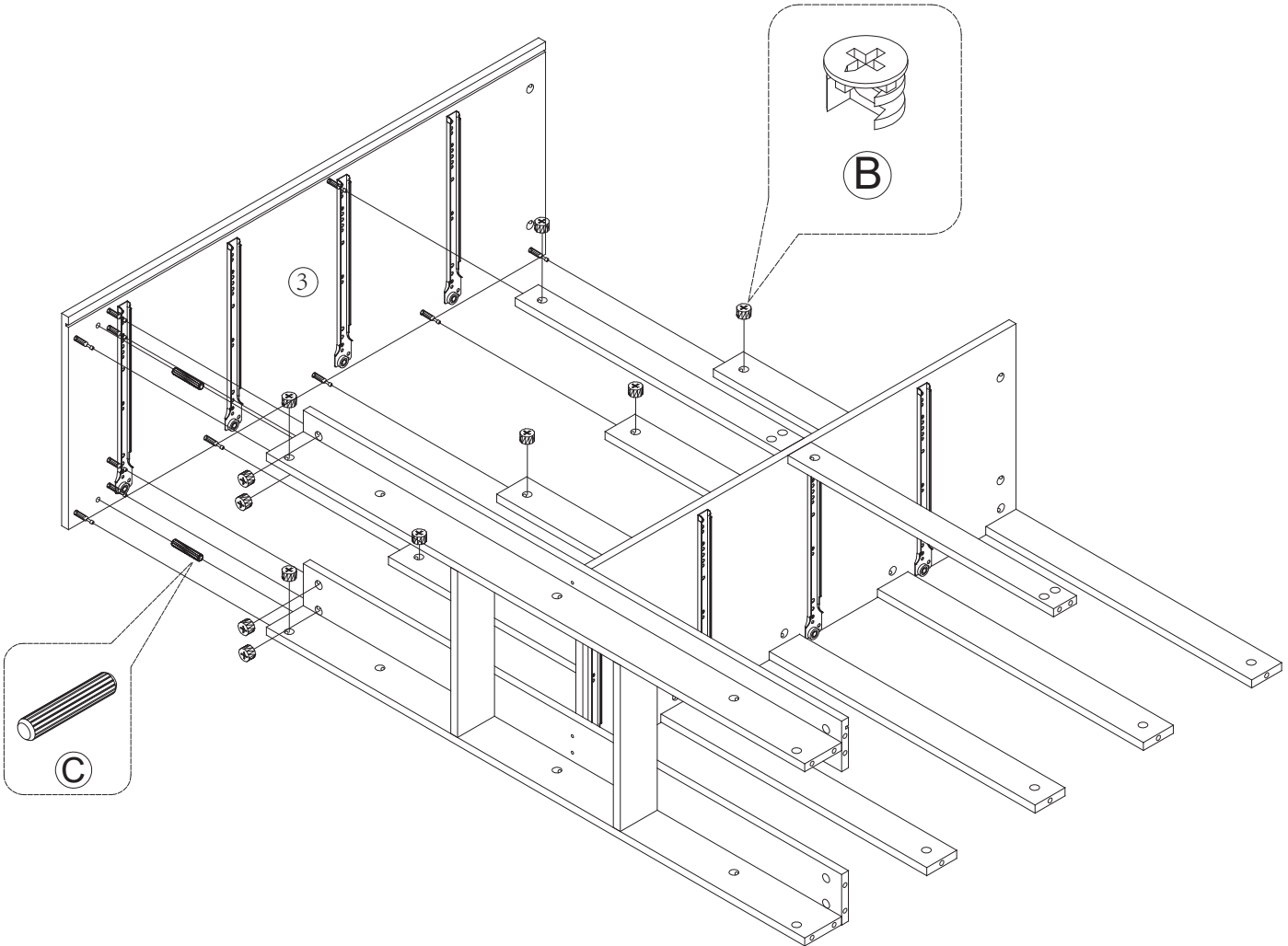
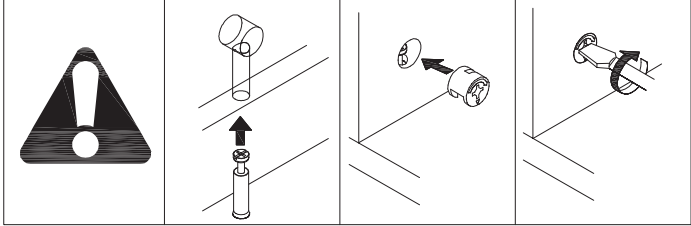
9

B x 3
Ø15 x 9.5 mm

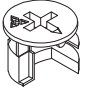
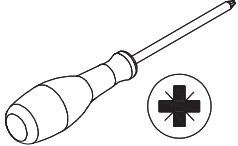



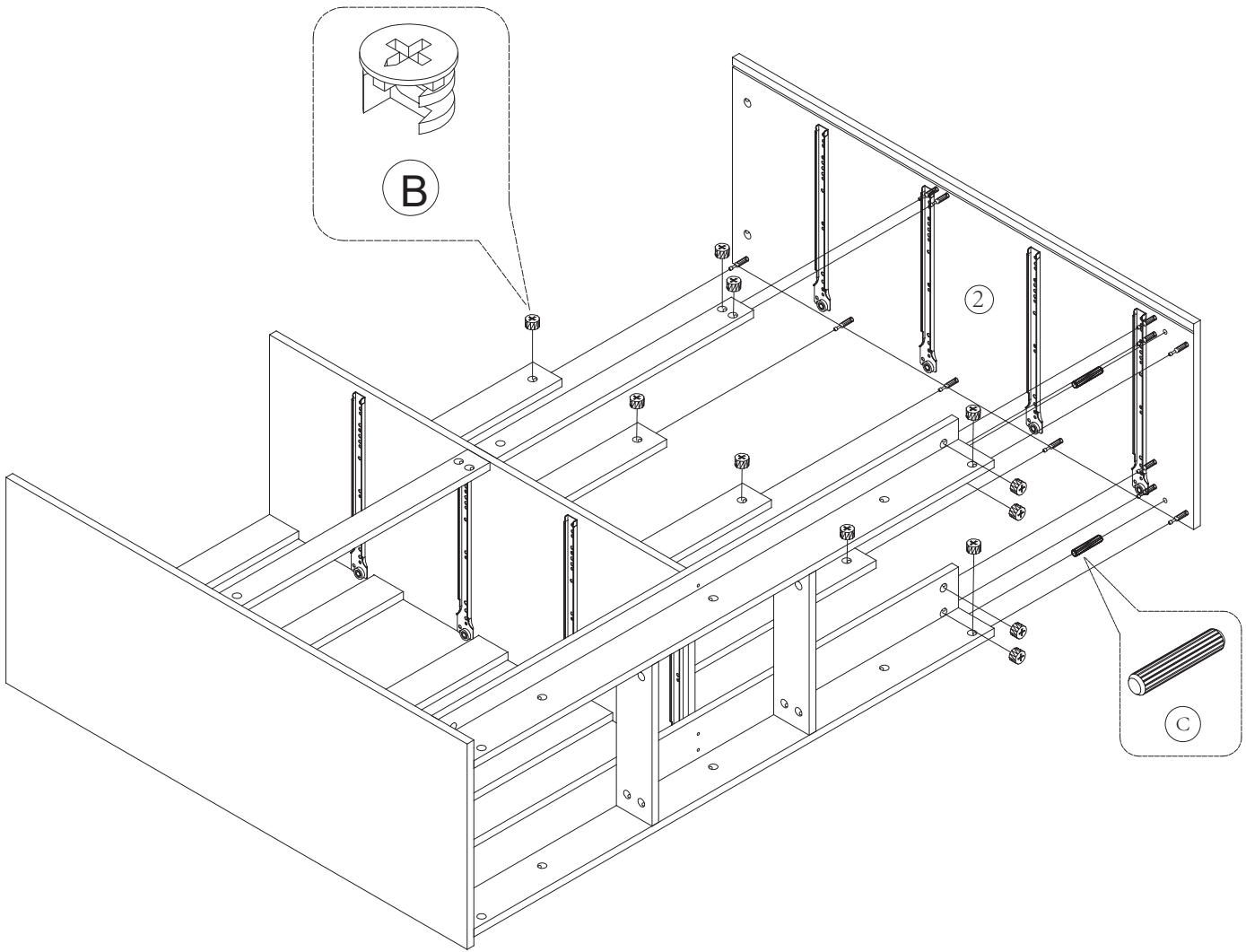
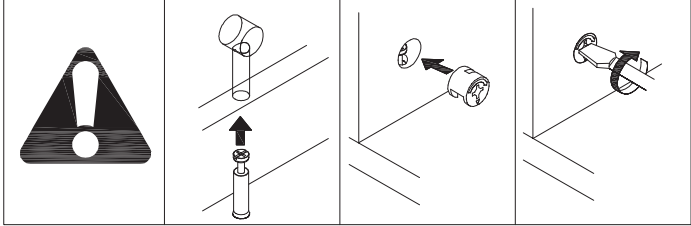
10

<p>B x 11</p>  <p>Ø15 x 9.5 mm</p>	<p>C x 2</p>  <p>Ø8 x 40 mm</p>	
---	--	---

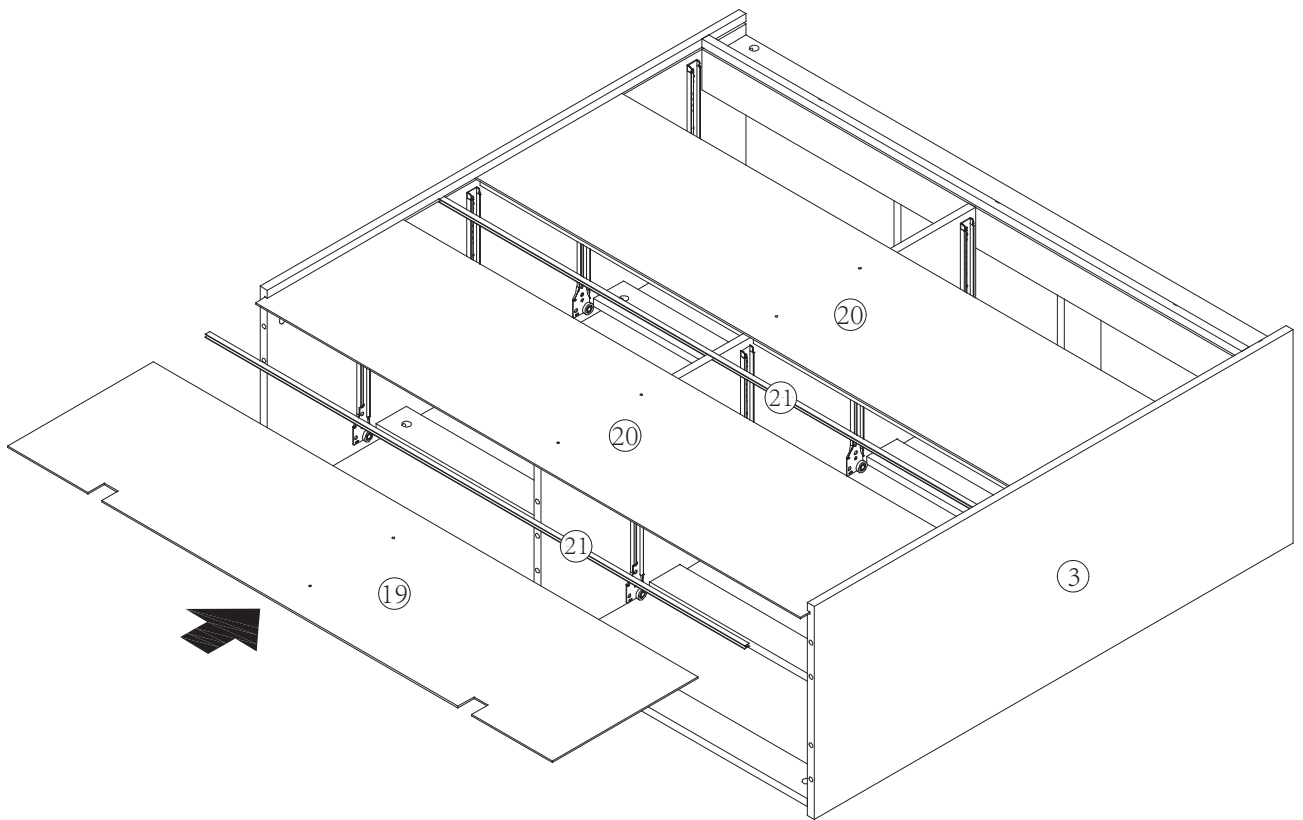
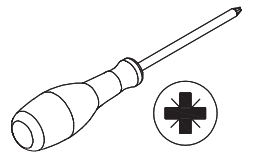


11



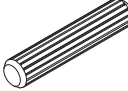
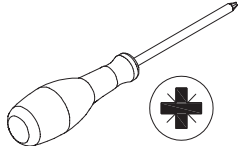
<p>B x 12</p>  <p>Ø15 x 9.5 mm</p>	<p>C x 2</p>  <p>Ø8 x 40 mm</p>	 
---	--	---

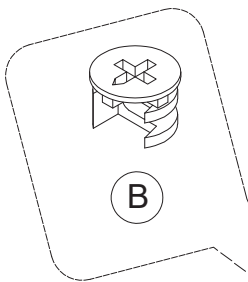
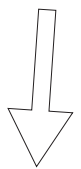
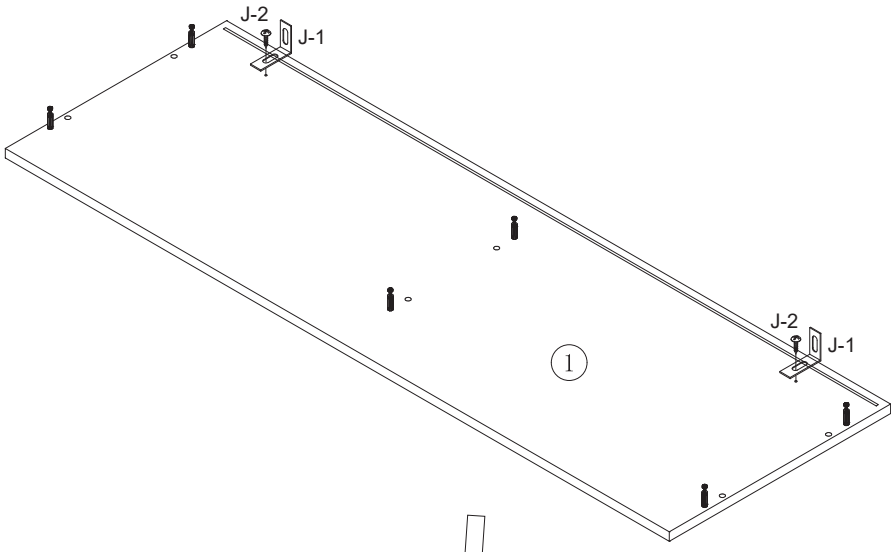


12

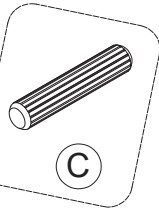
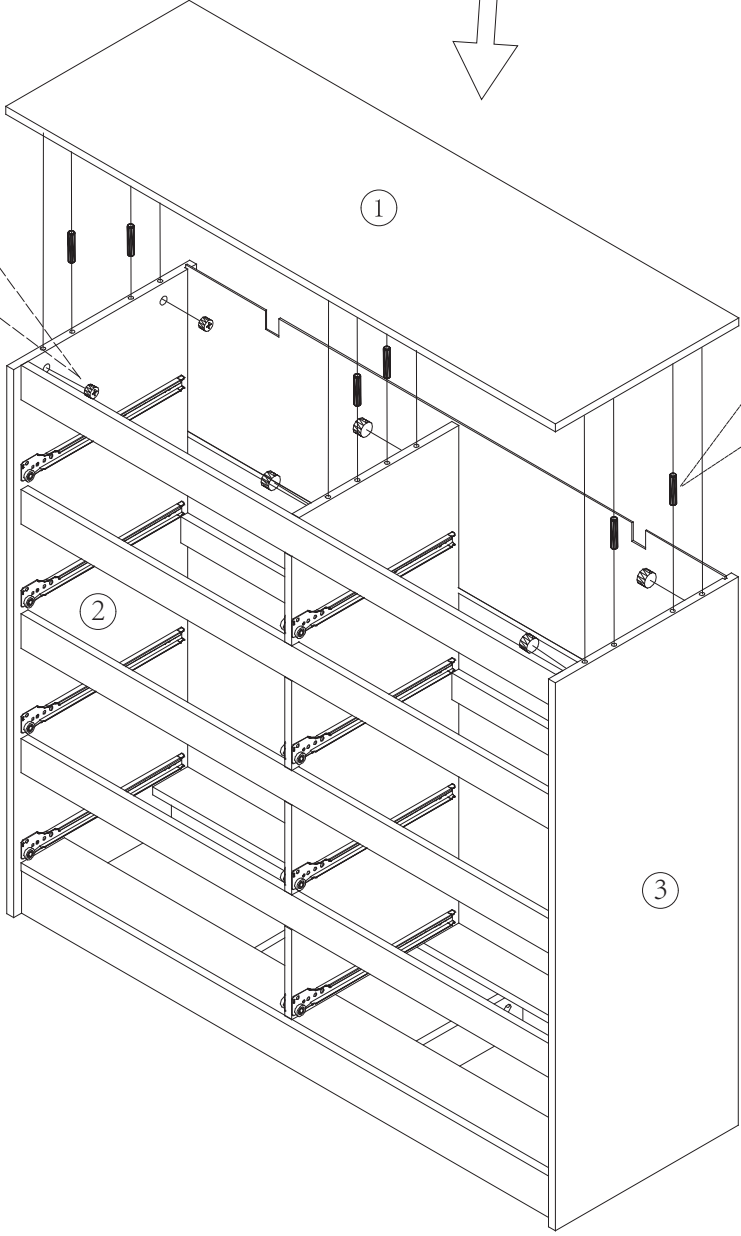


13

J x 2  J-1 J-2	B x 6  Ø15 x 9.5 mm	C x 6  Ø8 x 40 mm	
---	--	--	---



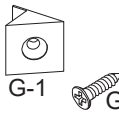
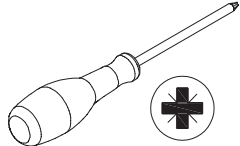



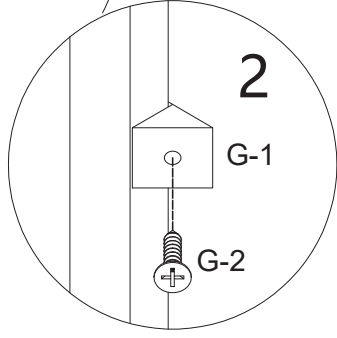
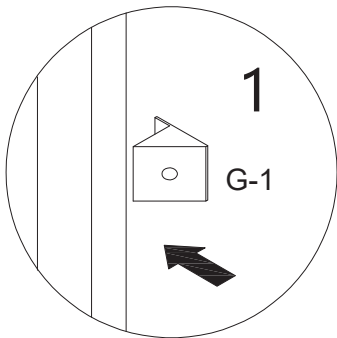
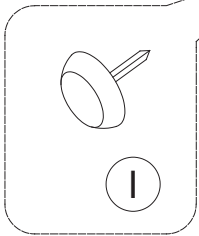
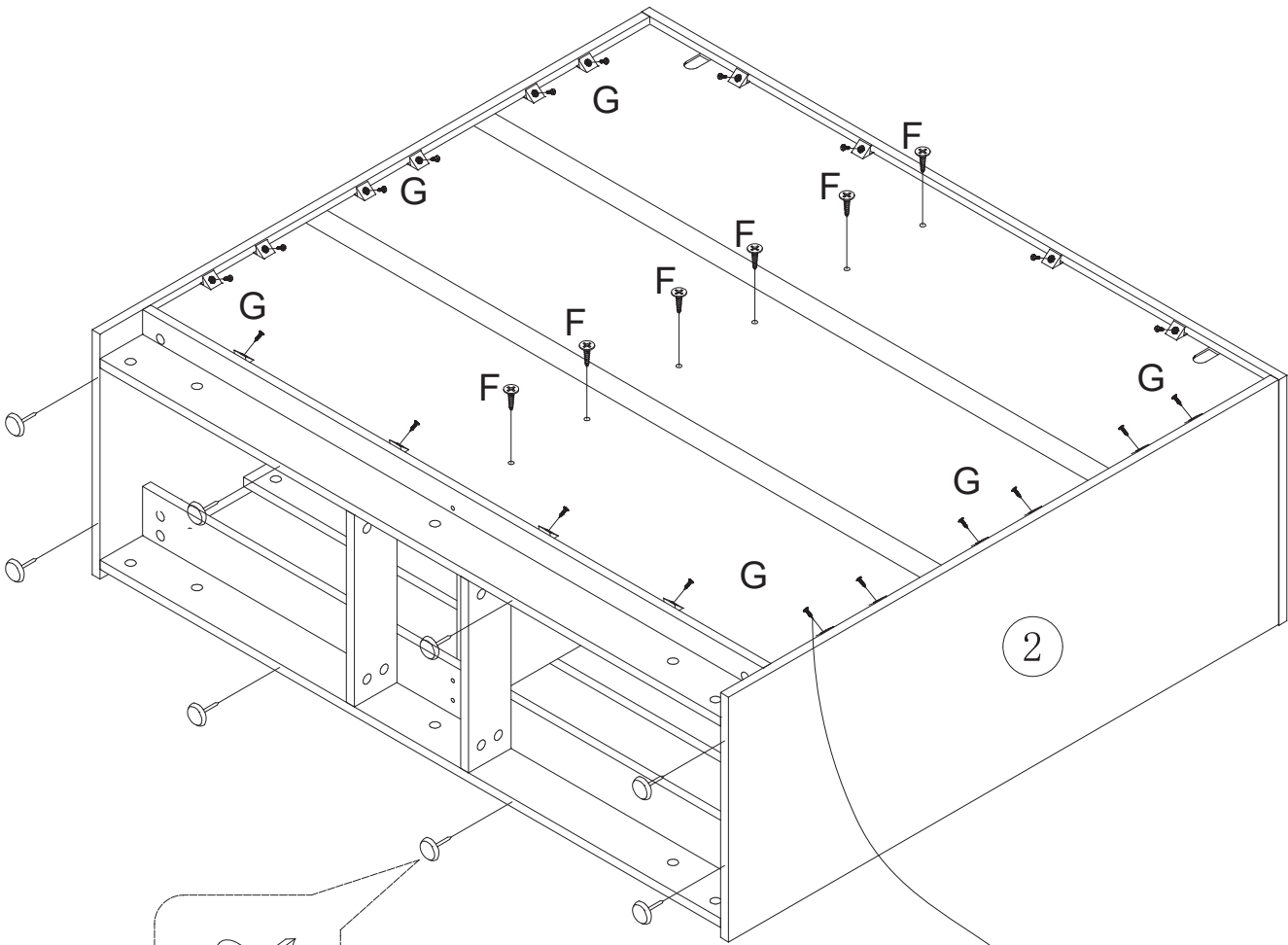
B



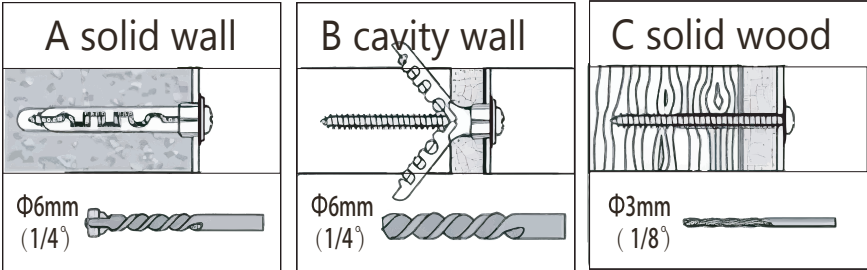
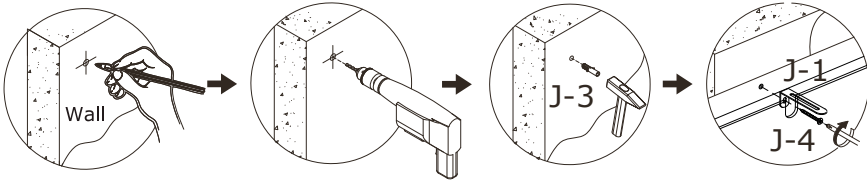
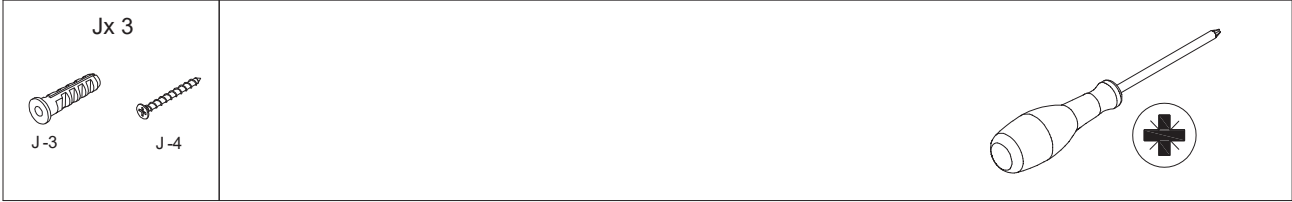
C

14

<p>I x 8</p>  <p>Ø13 mm</p>	<p>F x 6</p>  <p>Ø4 x 14 mm</p>	<p>G x 20</p>  <p>G-1 G-2</p>	 
--	--	--	---

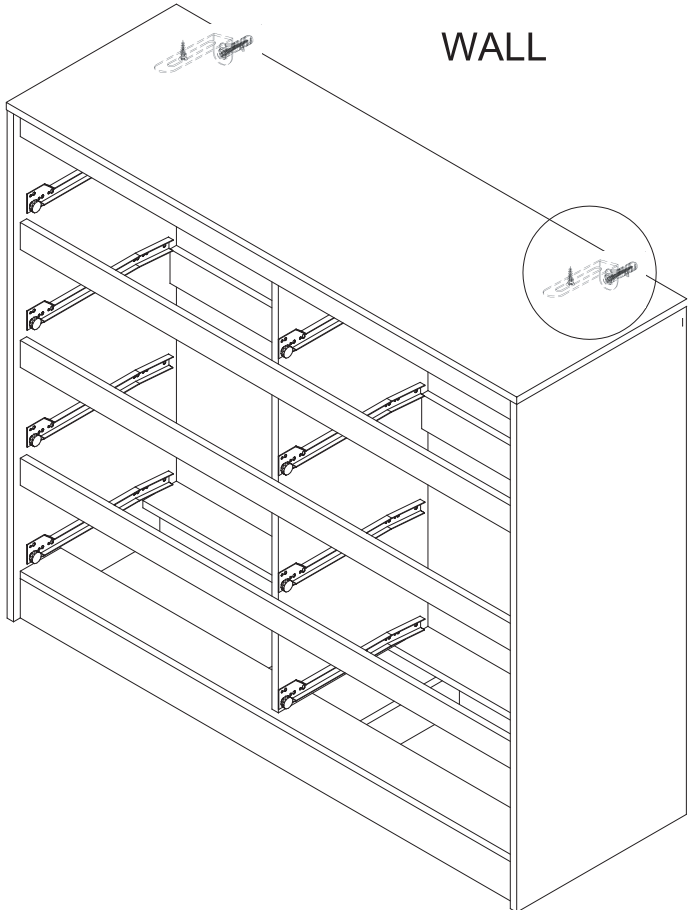


15


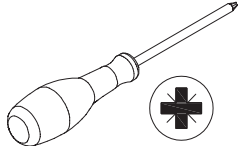


! Warning: If you overturn the furniture, it may cause serious or fatal crushing injuries. We have a wall connection device attached, please use it to hold the furniture following these instructions.

1. Mark the corresponding hole positions where you want to place the furniture;
2. Use a impact drill to drill holes and pay attention to avoid wires and water pipes;
3. Knock the expansion pipes into the wall holes;
4. Place the furniture in the corresponding position and tighten the wall connection device with screws.



16

H x 90  Ø20 mm	
---	---

