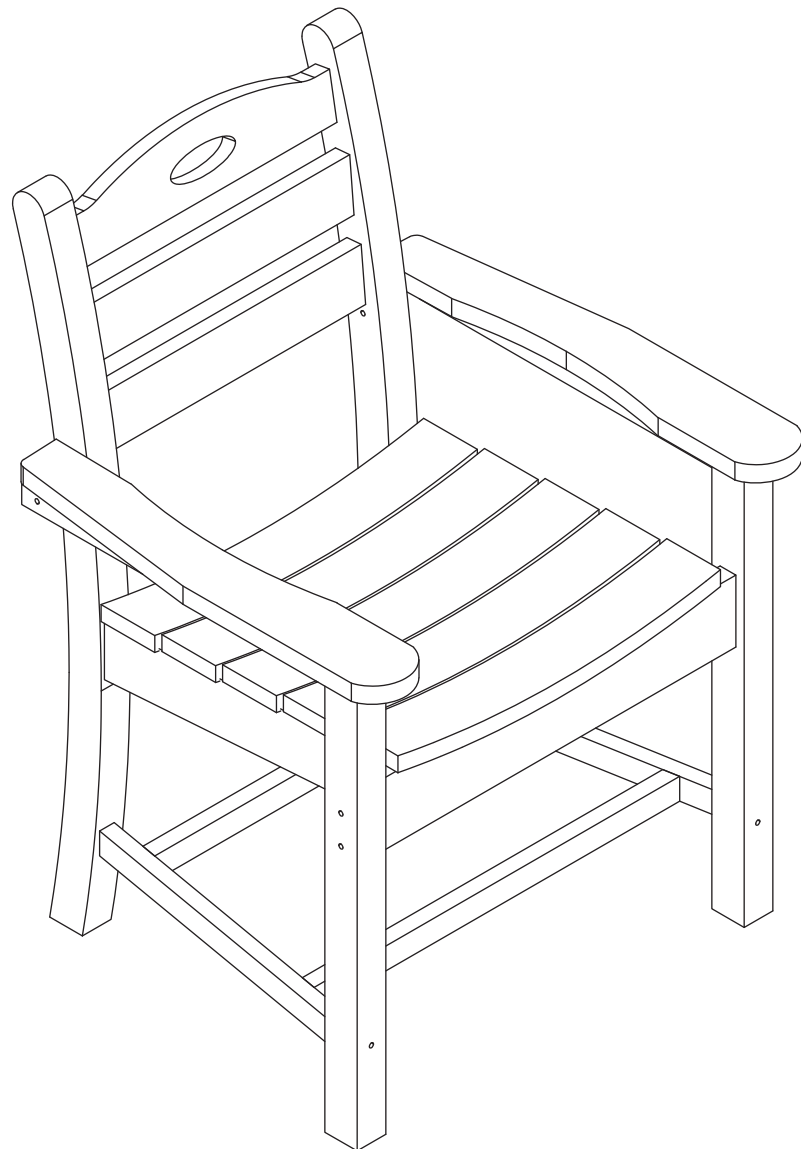


Assembly Instruction



PRE-ASSEMBLY PREPARATION

WARNING! DO NOT LET CHILDREN PLAY IN OR AROUND THE UNIT DUE TO THE POSSIBLE RISK OF FINGER ENTRAPMENT

- Please read through this instruction before beginning assembly.
- Two adults assembly is recommended.
- Clear out the space for assembly and lay out all parts base on Parts List, extra room will allow you to easily determine if all the pieces are present.
- Save all packing materials until assembly is complete to avoid accidentally discarding smaller parts or hardware.
- Keep small parts and pieces away from children until fully assembly.
- **Do not fully tighten the bolts until all have been inserted and hand tightened.**
- Please check for any loose screws and tighten them before use.

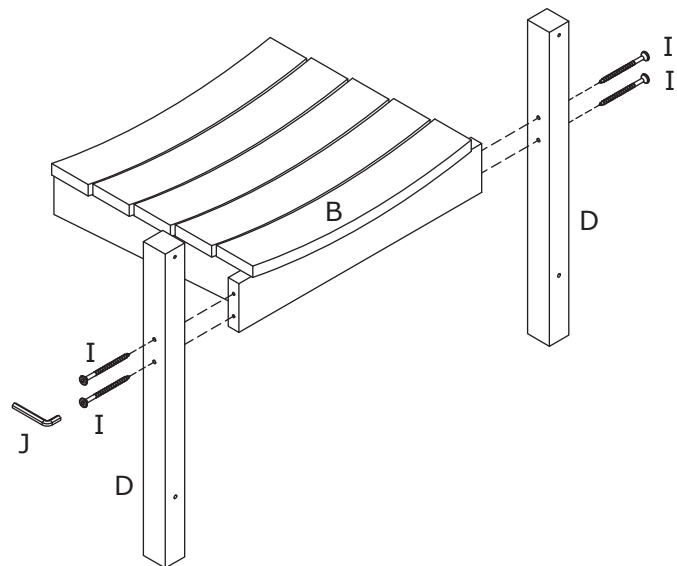
PANEL AND FITTINGS IDENTIFICATION

<p>(A)</p> <p>Qty: 1</p>	<p>(B)</p> <p>Qty: 1</p>	<p>(C)</p> <p>Qty: 1</p>	<p>(D)</p> <p>Qty: 2</p>
<p>(E)</p> <p>Qty: 1</p>	<p>(F)</p> <p>Qty: 1</p>		

HARDWARE LIST

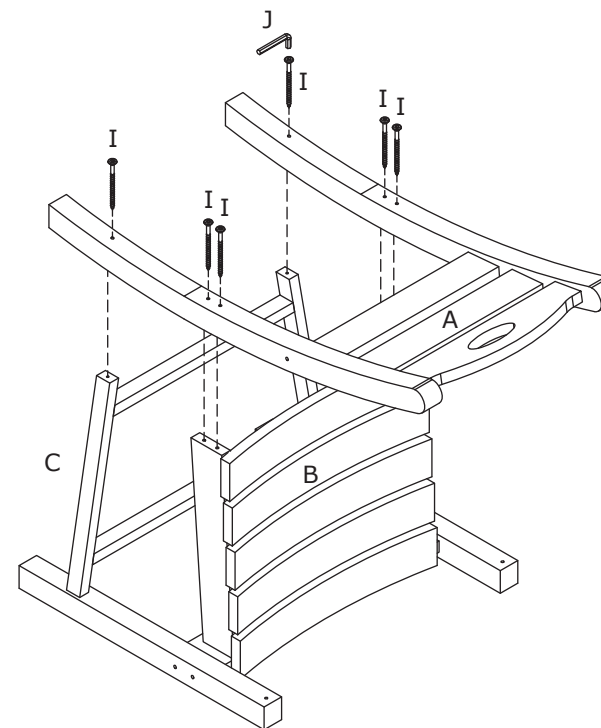
<p>Screw (H)</p> <p>M6 x 60mm</p> <p>Qty: 2</p>	<p>Screw (I)</p> <p>M6 x 70mm</p> <p>Qty: 14</p>	<p>Allen Wrench (J)</p> <p>Qty: 1</p>
---	--	---------------------------------------

Step 1



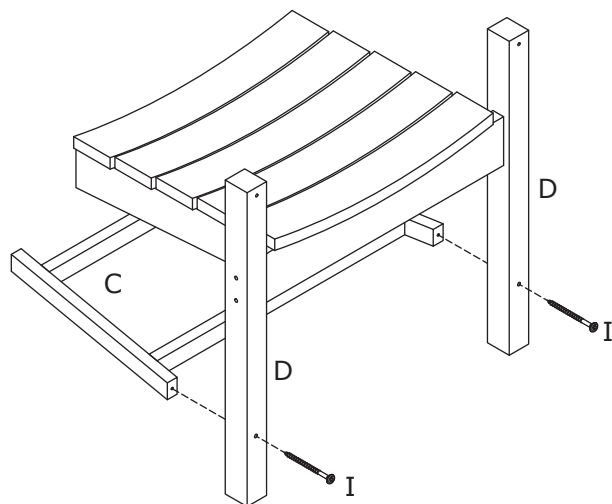
B=1PC
D=2PCS
I=4PCS
J=1PC

Step 3



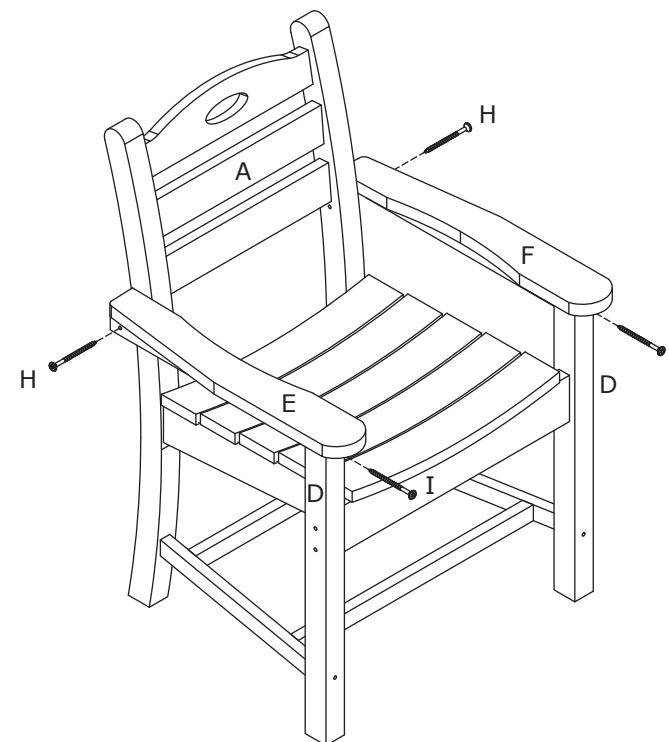
A=1PC
I=6PCS
J=1PC

Step 2



C=1PC
I=2PCS

Step 4



E=1PC
F=1PC
H=2PCS
I=2PCS
J=1PC