

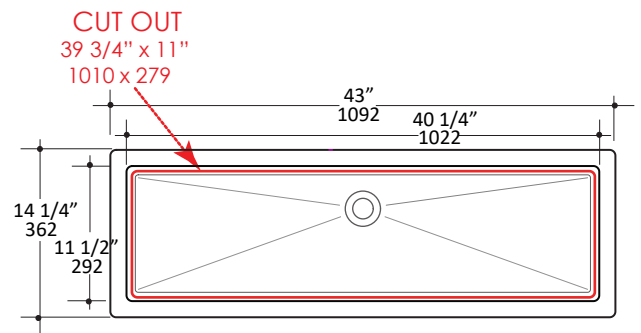
Specifications:

Installation:	Undermount
Exterior Dimensions:	43" w x 14 1/4" d x 4 1/2" h
Material:	Concrete
Weight:	70 lbs
Overflow:	No
Finishes:	TER - Terracotta SLT - Slate CHL - Charcoal SND - Sand
Cut-out Size:	39 3/4" w x 11" d (template available upon request)
Faucet Hole Size:	N/A
Drain Hole Size:	Ø 1 3/4"



Features:

- Concrete sink without overflow
- Most standard American drains can also be used
- Current cut-out template can be requested
- Size can be customizable upon request (conditions apply)
- Installation hardware included

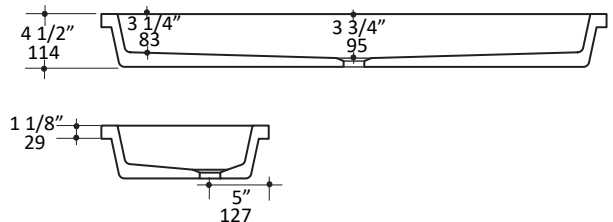


Codes + Standards:

- Meets and exceeds applicable national codes and standards



compliant when installed to specific requirements of this regulation



Recommended Items:

- European drain without overflow
 - 7100-13

LACAVA reserves the right to revise any dimension or information on this sheet without notice. Dimensions are nominal and may vary within an industry accepted tolerance of 1/4". Drawings provided herein are meant to give the user an idea of the product and are not made to scale.
Revised: 5/26/2021