

# Operation manual

## LED Flush mount light

With Integrated Dimmable Driver



Thank you for purchasing our product. This fixture has been manufactured from components with advanced optoelectronics to ensure high reliability and long life. Before assembling please read this Operation Manual carefully and save in a safe place for future reference. Please note that all electrical connections must be in accordance with local and National Electrical Code standards as well as local building codes. In case you are not familiar with proper wiring connections and building codes, consult a qualified electrician.

### Safety recommendations

1. RISK OF ELECTRIC SHOCK – THIS PRODUCT MUST BE INSTALLED IN ACCORDANCE WITH APPLICABLE INSTALLATION CODES BY A PERSON FAMILIAR WITH MENTIONED ABOVE CODES AND HAZARDS INVOLVED. DISCONNECT POWER AT CIRCUIT BREAKER OR FUSE BEFORE INSTALLING OR SERVICING.
2. BEFORE USE OF THE PRODUCT CAREFULLY READ THE WHOLE OPERATION MANUAL.
3. THE PRODUCT IS PURPOSED FOR INTERIOR USE ONLY, SUITABLE FOR DAMP LOCATION.
4. PROTECT THE PRODUCT AGAINST DIRECT CONTACT WITH WATER.
5. ASSEMBLE THE PRODUCT ONLY WITH THE USE OF PARTS PROVIDED AND THE HOUSING; IMPROPER ASSEMBLY MAY RESULT IN DEVICE FAILING WHICH COULD DAMAGE THE PRODUCT, PERSONAL PROPERTY OR CAUSE INJURY.
6. ASSEMBLY SHALL FOLLOW WITH ACCESSORIES DELIVERED WITH THE SET ONLY.
7. THE DEVICE IS NOT A TOY, KEEP OUT OF REACH OF CHILDREN.

### Specifications:

LED Flush mount light

Operating Voltage:120/277VAC

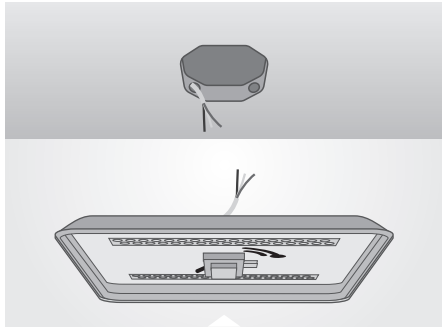
Dimming: 0-10V

Color Temp.:3000K

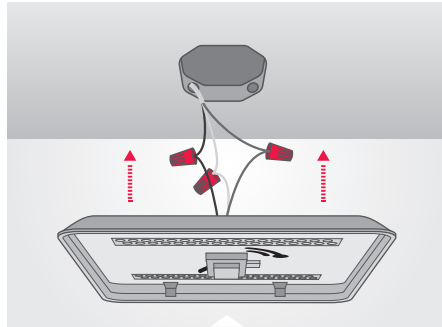
Power consumption:

11" 12.5W

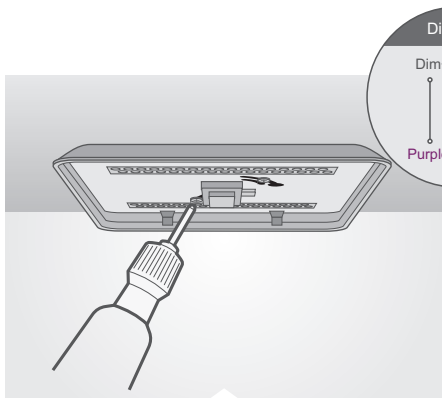
14"16.5W



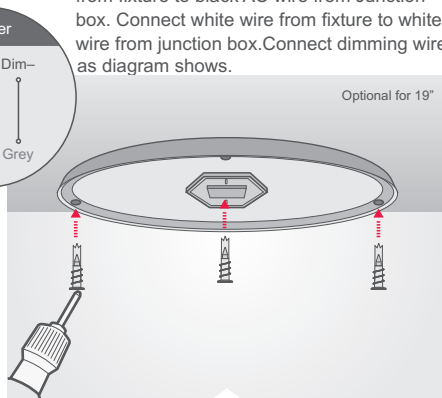
STEP 1: Turn off / disconnect power at circuit breaker.



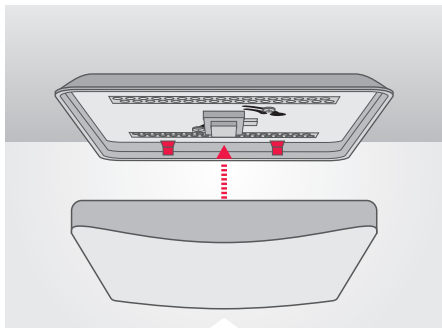
STEP 2: Make Ground connection. Attach black wire from fixture to black AC wire from Junction box. Connect white wire from fixture to white wire from junction box. Connect dimming wires as diagram shows.



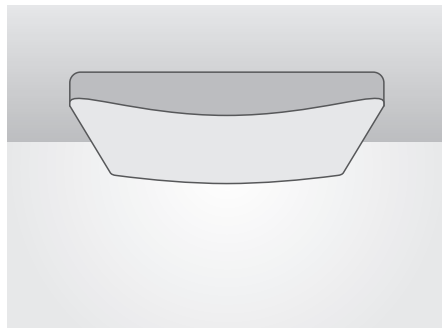
STEP 3: Attach the bracket to junction box using 2 screws (provided).



STEP 3B: Stabilize the fixture to the ceiling by (Optional for 19") screwing 3 screws (provided).






STEP 4: For square fixture 'Push and Lock' lens in place. For round fixture lens in place.



STEP 5: Fixture installed.

#### Mounting Hardware

-  x3 wire nuts
-  x2 screws to junction box
-  x3 screws (only for 19" fixture)



Installed-Congratulations...  
Enjoy the light!

#### Dimming

This product is compatible with most residential type dimmers available on the market. The dimming performance will depend on kind of dimmer and dimmer settings. Visit [Satco.com](http://Satco.com) for an up to date list of compatible dimmers.

#### Cleaning

- Clean with a soft or damp cloth. While cleaning with the damp cloth make sure the power is off.
- Do not clean with abrasives.

#### 5 Year limited warranty

The purchased product is covered with a 5 year warranty in respect of any defect in material or workmanship after purchase date.

Satco shall bear no responsibility on account of guarantee, as well as shall bear no liability for any faults, in case of improper operation, use negligence, accident or exposure to natural hazard, or excessive use over the limits specified for the unit, or if any unauthorized alteration or repair followed.