

Temperature Indicator Kitchen Faucet User Manual

Please refer to the contents of the manual prior to installation

1. Features

Temperature Indicator: Three sections of temperature indication represent cold water, warm water and hot water respectively.

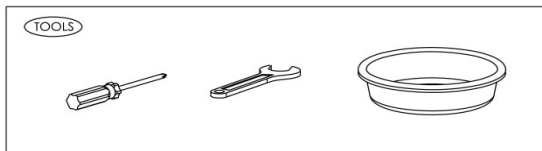
Separate Design: Control system and faucet body are separated of the convenience of installation and maintenance.

Low Power Consumption: Battery powered, 4AA alkaline batteries can be used for more than one year.

2. System Parameter

Control time	<0.5s	Power supply	4 AA batteries
Waterproof level	IPX5	Water temperature	0 °C -75 °C
Resistant intensity	16bar	Minium water pressure	0.7bar
Cold Water (Blue light)	<32°C	Warm Water (Green light)	>=32°C <=42°C
Hot Water(Blue light)	>42°C		

3. You need tools:

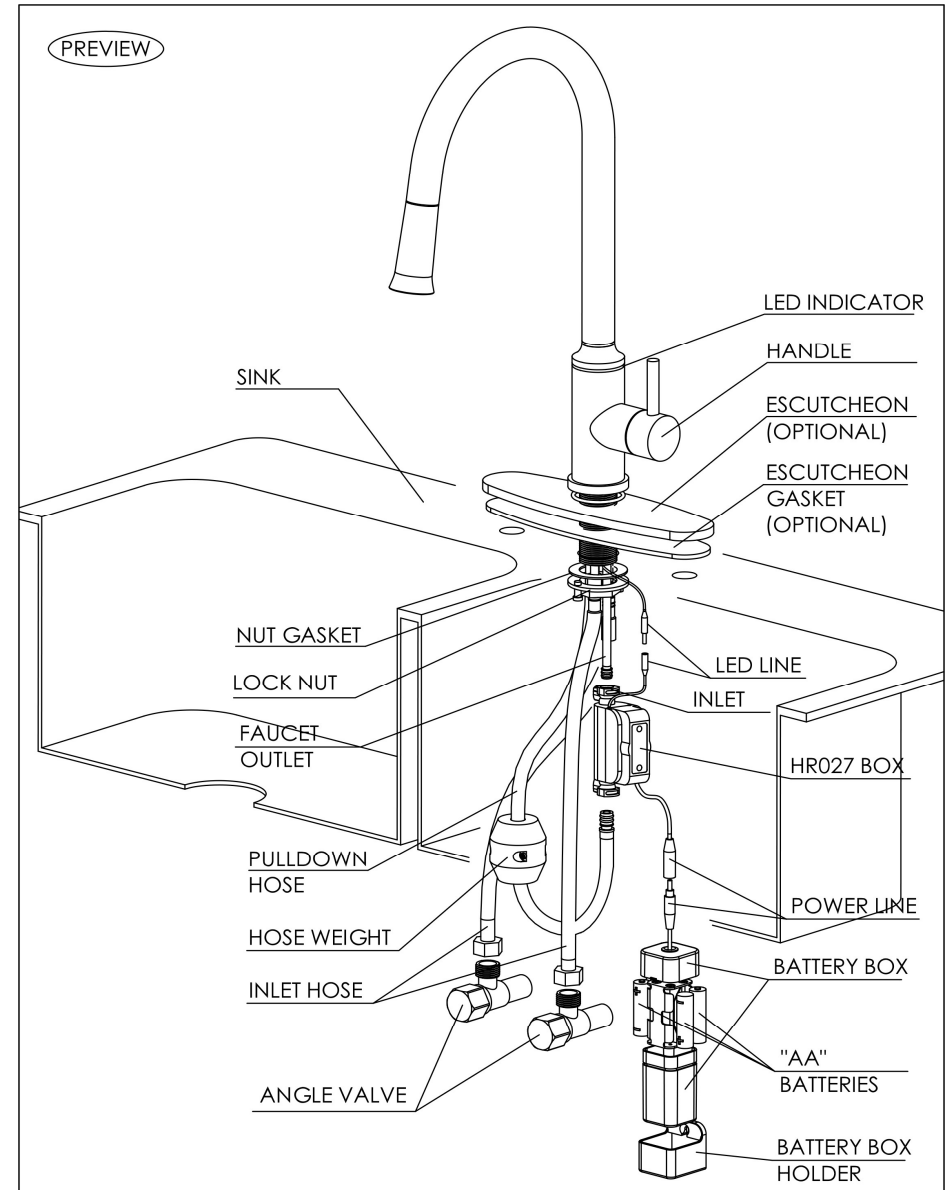


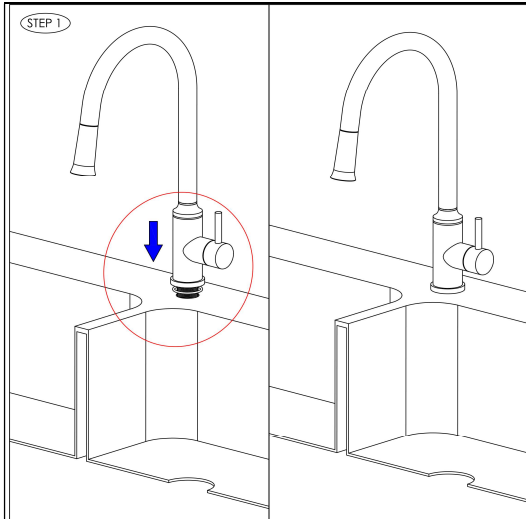
4. Instructions:

4.1 Make sure the battery is new and make sure it is installed correctly.

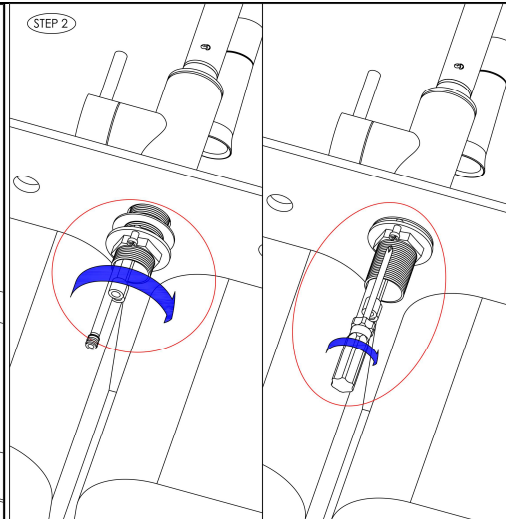
4.2 IF water leakage after in control box、sprayer or main body of faucet, it's may be damaged during transportation,please contact customer service replace accessories.

5. Installation Schematic Diagram

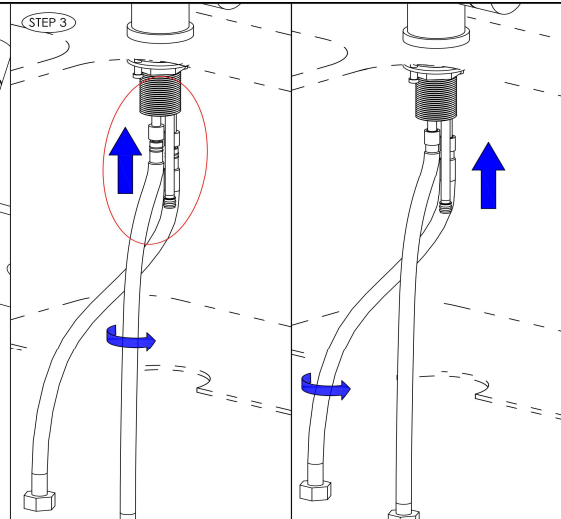




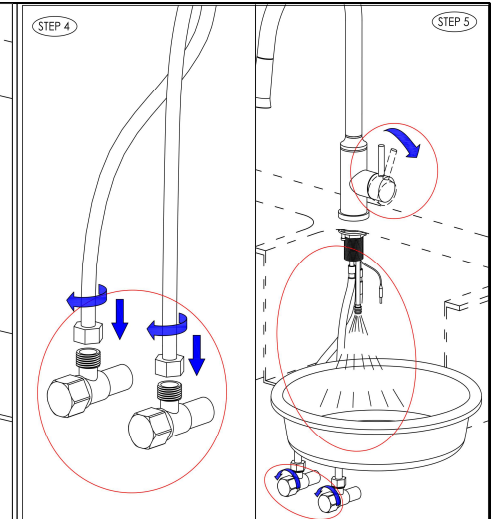
Step 1: Install and fix the faucet.



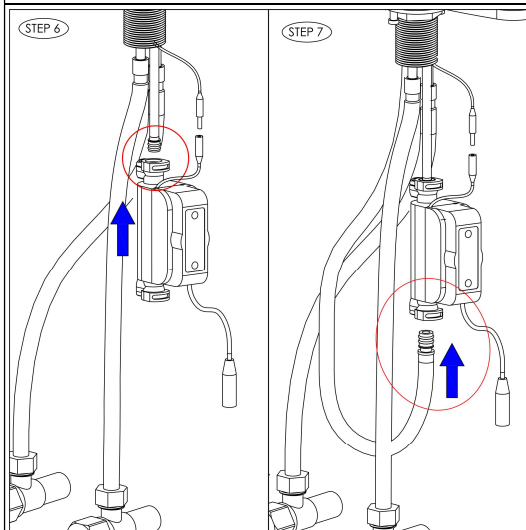
Step 2: Tighten with screwdriver until secure.



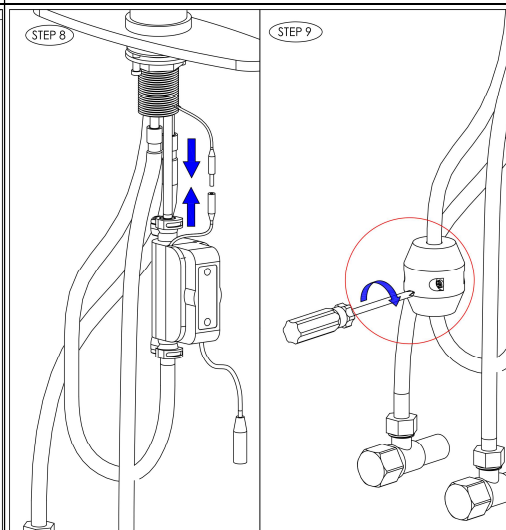
Step 3: Attach hot and cold inlet hose to faucet and angle valves.



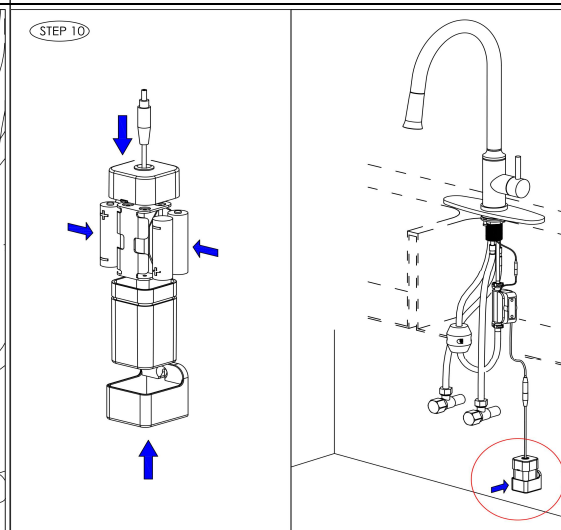
Step 4: Tighten with wrench until secure.
Step 5: Flush Supply Lines.



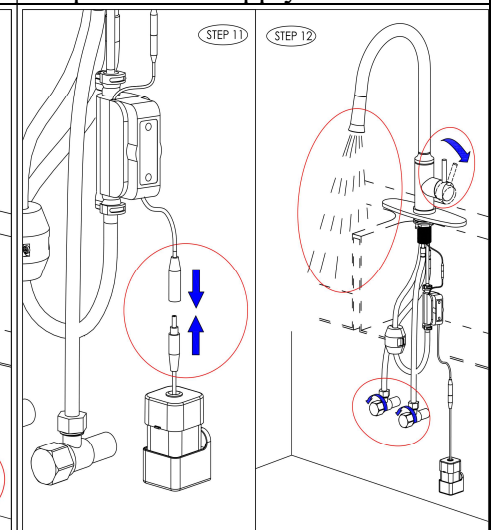
Step 6: Connect the controller to faucet.
Step 7: Insert hose into outlet of controller.



Step 8: Connect the led line.
Step 9: Install Hose Weight.



Step 10: Place batteries in battery adapter,
Fix the battery box.



Step 11: Connect the power line.
Step 12: Open the angle valve and the handle.