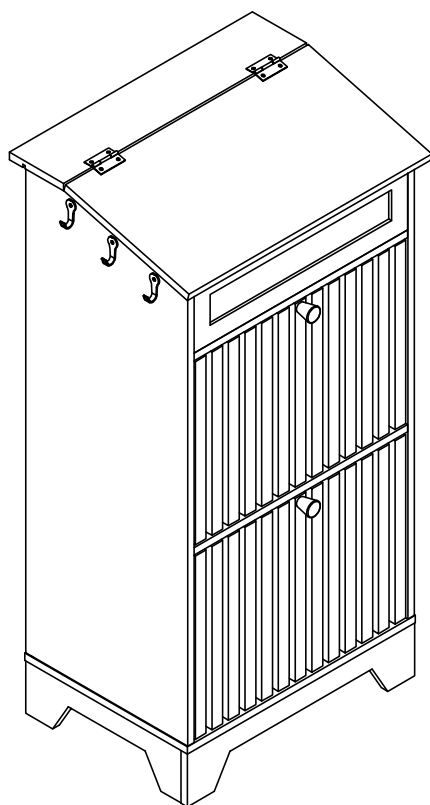


Installation Instruction



Assembling

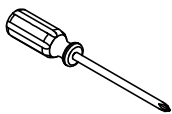
Estimated time for assembly



45 : 00

What you need

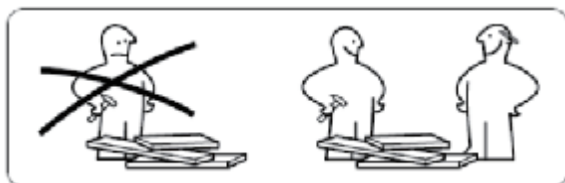
- Use the packaging carton as a working surface to prevent product damage during assembly
- Phillips head screwdriver



Weight Limitation



100 | **35**
lbs table top lbs per

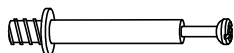


What' included

Code	Description	Qty
A	Cam Bolt M6X35MM	22
B	Cam Lock 15X9MM	22
C	Wooden Dowel M6X30MM	12
D	Screw M4X30MM	8
E	Screw M3.5X12MM	16
F	Anchor	2
G	L-shaped metal sheet	2
H	Screw M3.0X12MM	30
I	The back button	18
J	Foot nail	6
K	Circular hole Decals	14
L	Ron absorption	2
M	Metal handle	2
N	Cam Bolt M4X28MM	2
O	Door latch	4
P	Oval handle	2
Q	Hinge	2
R	Link	6
S	Silicone pad	2
T	Two fold tie rod	2
U	Screw M3.0X14MM	8

The Hardwares

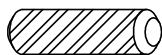
(A)



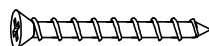
(B)



(C)



(D)



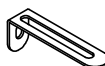
(E)



(F)



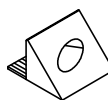
(G)



(H)



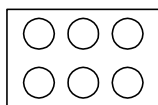
(I)



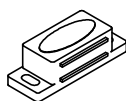
(J)



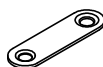
(K)



(L)



(M)



(N)



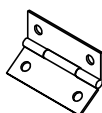
(O)



(P)



(Q)



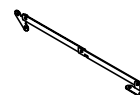
(R)



(S)



(T)



(U)



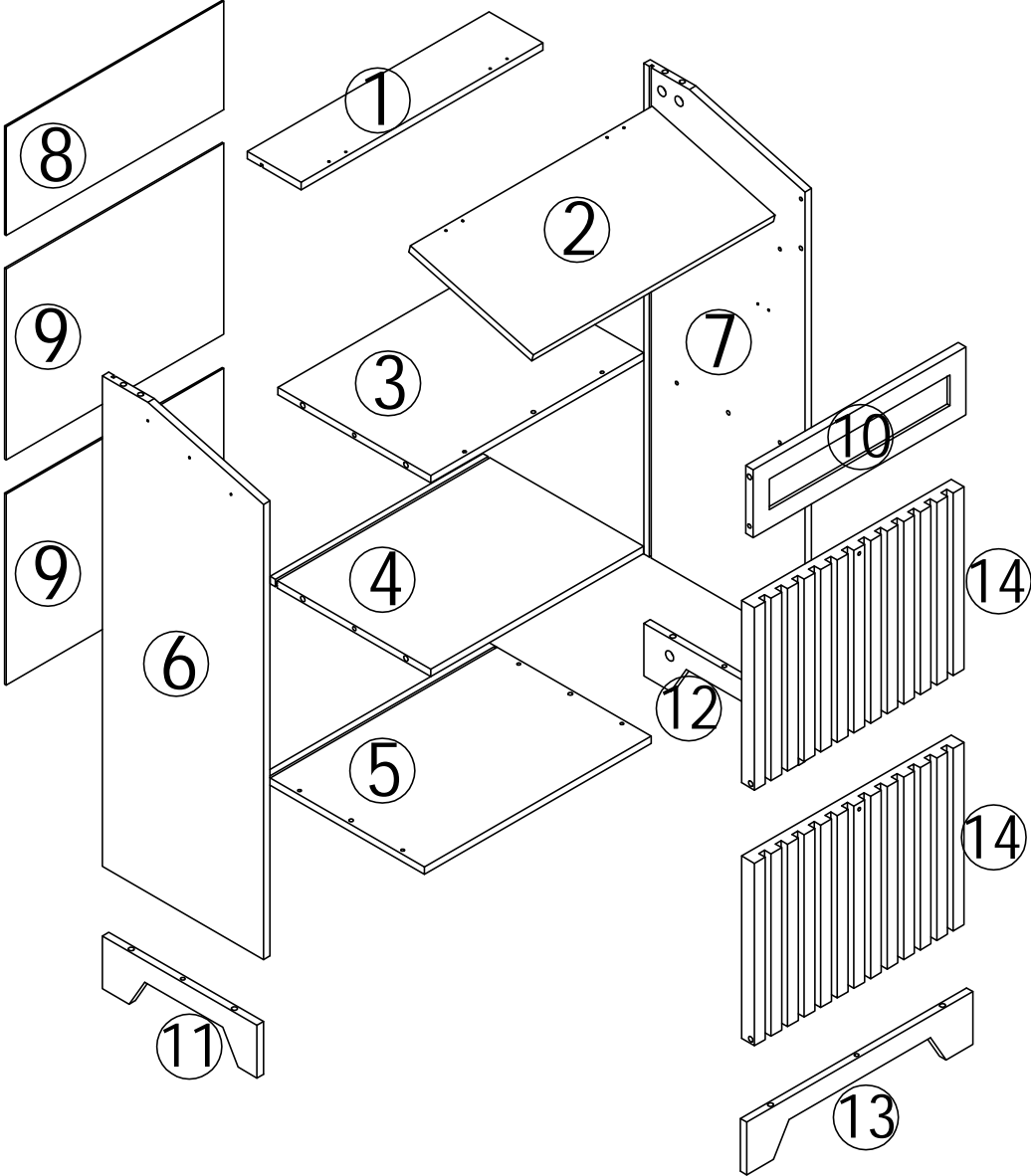
IMPORTANT:

1. Do not tighten bolts / screws completely until all bolts / screws are lined up and inserted into holes.
2. Do not over tighten screws and bolts to avoid stripping
3. Please use hand tools to assemble this product. Do not use power tools.

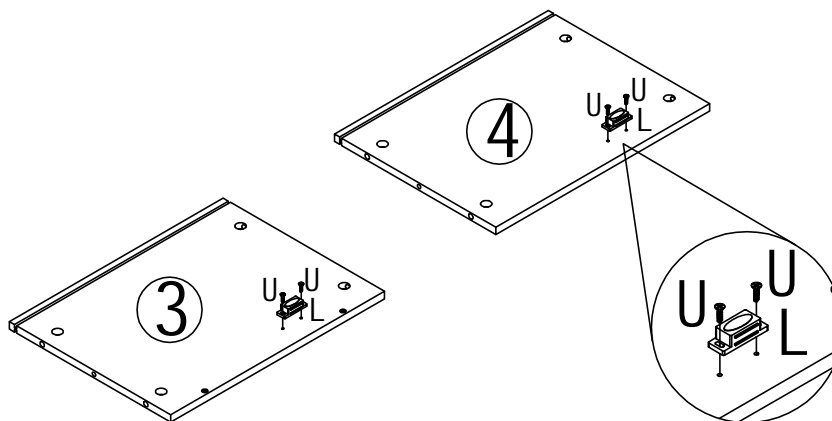
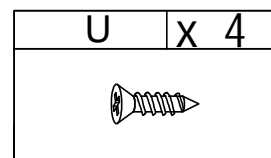
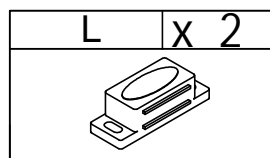
Included Accessories

Code	Description	Qty
1	Cabinet Top	1
2	Cover plate	1
3	Top laminated plate	1
4	Middle laminated plate	1
5	Bottom laminated plate	1
6	Left Side Panel	1
7	Right Side Panel	1
8	Top Backboard	1
9	Bottom Backboard	2
10	Baffle plate	1
11	Left decorative strip	1
12	Right decorative strip	1
13	Front decorative strip	1
14	Door	2

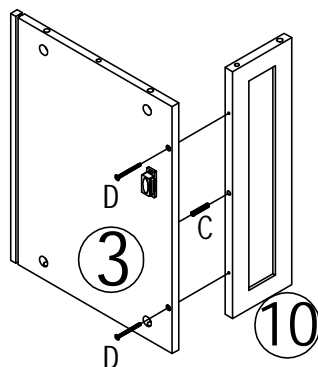
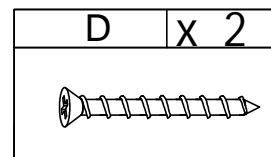
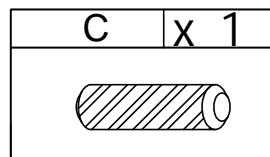
The Accessoriess



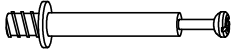
Step 1

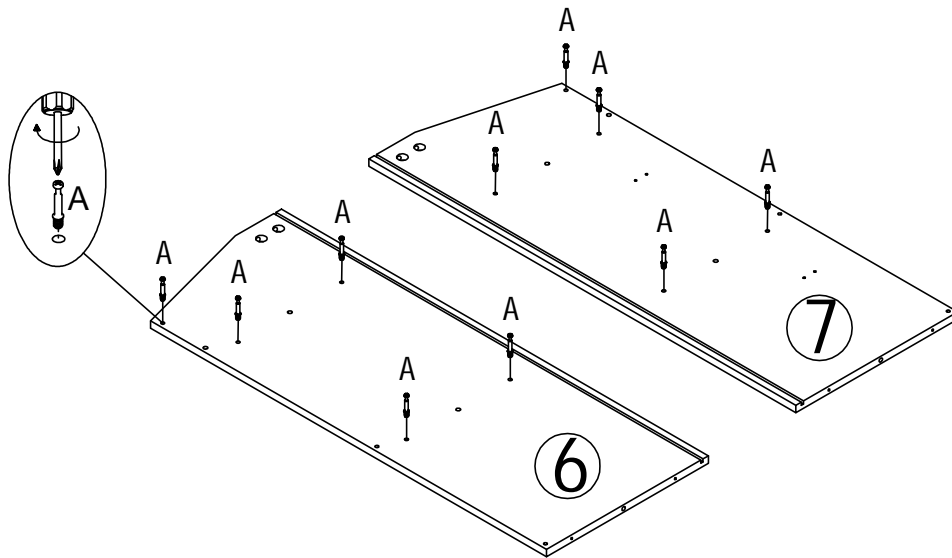


Step 2

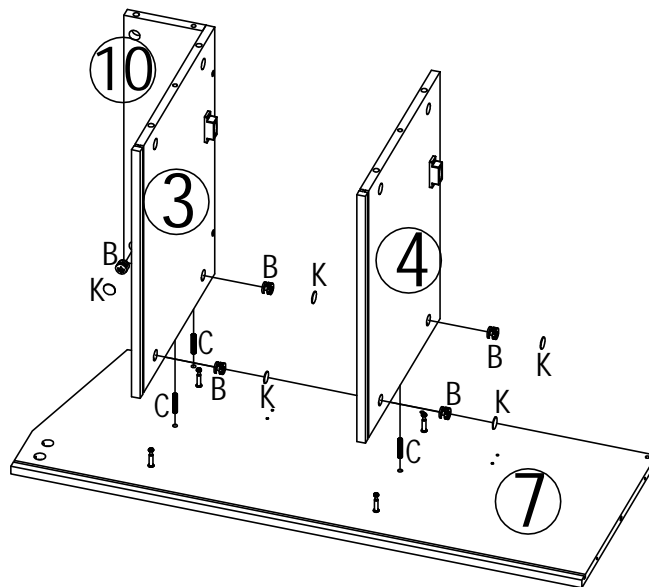
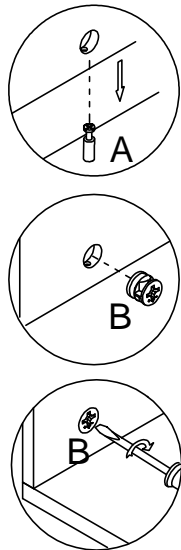


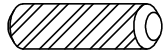
Step 3


A	x 10
	

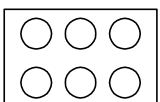


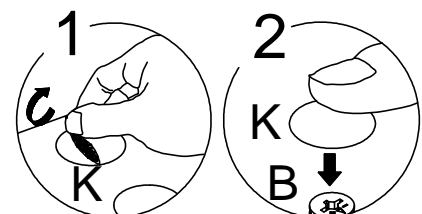
Step 4



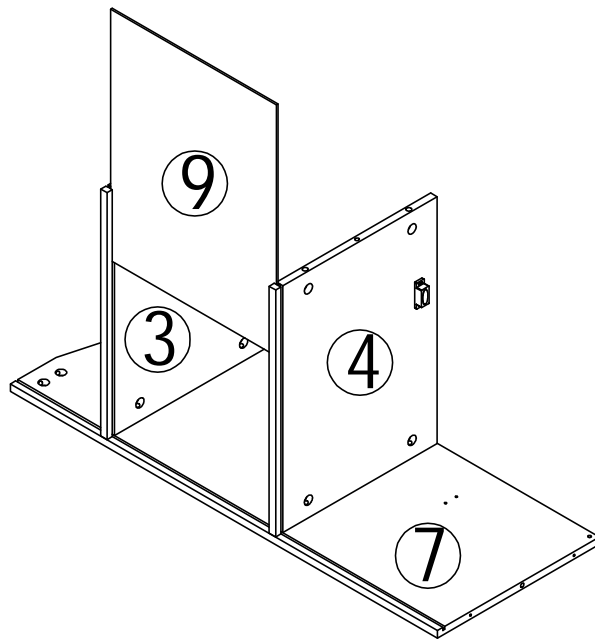
C	x 3
	

B	x 5
	

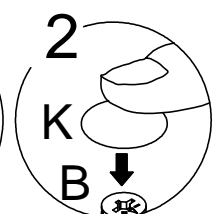
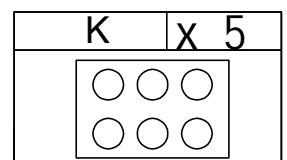
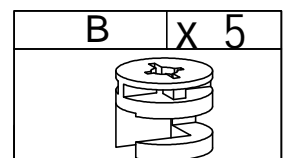
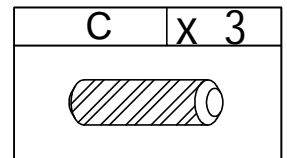
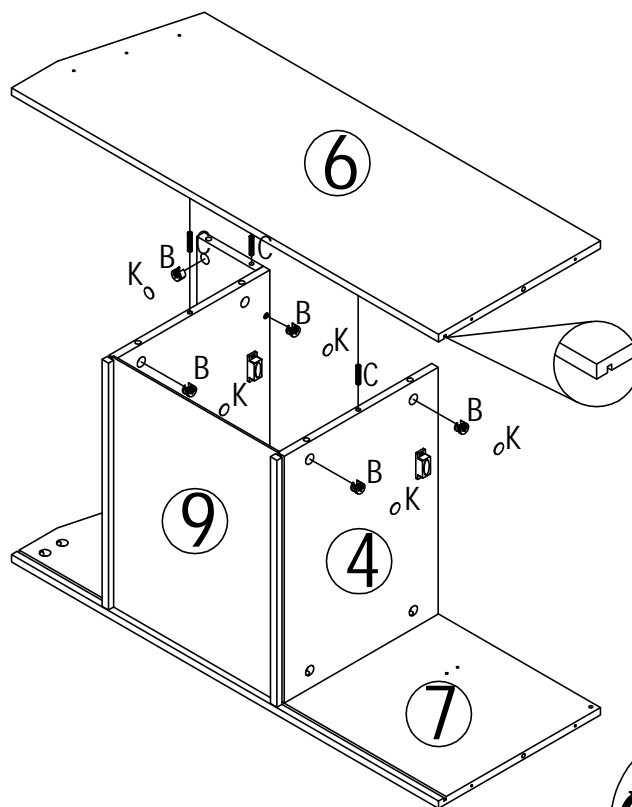
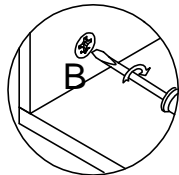
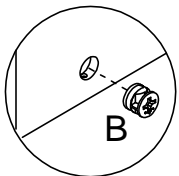
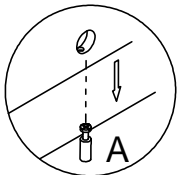
K	x 5
	



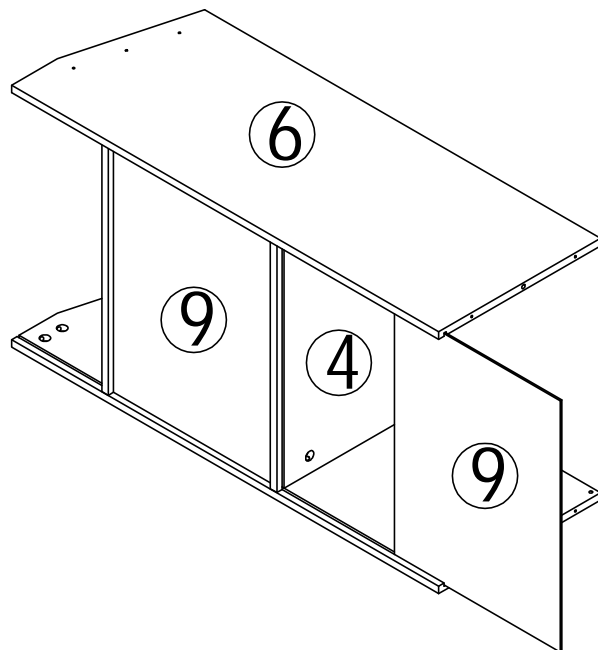
Step 5



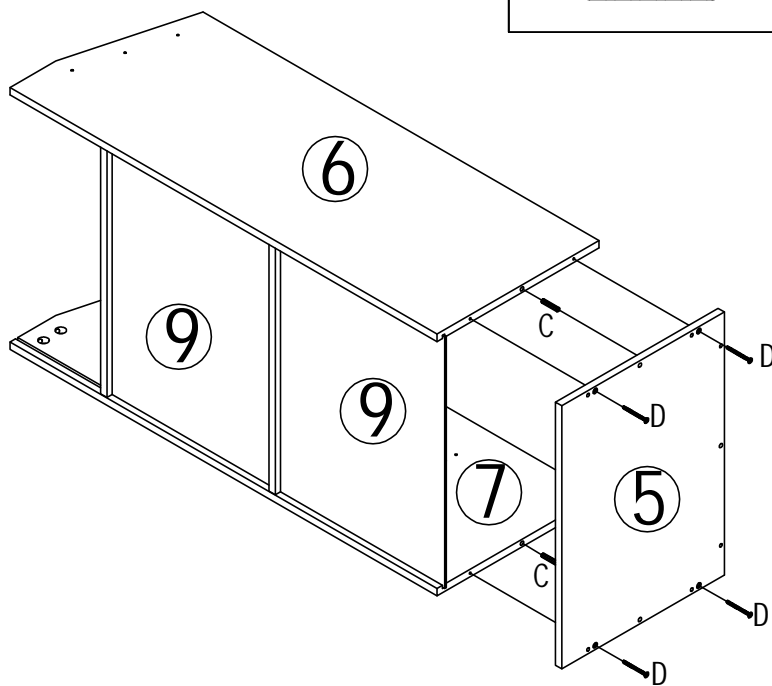
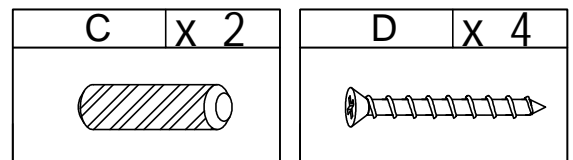
Step 6



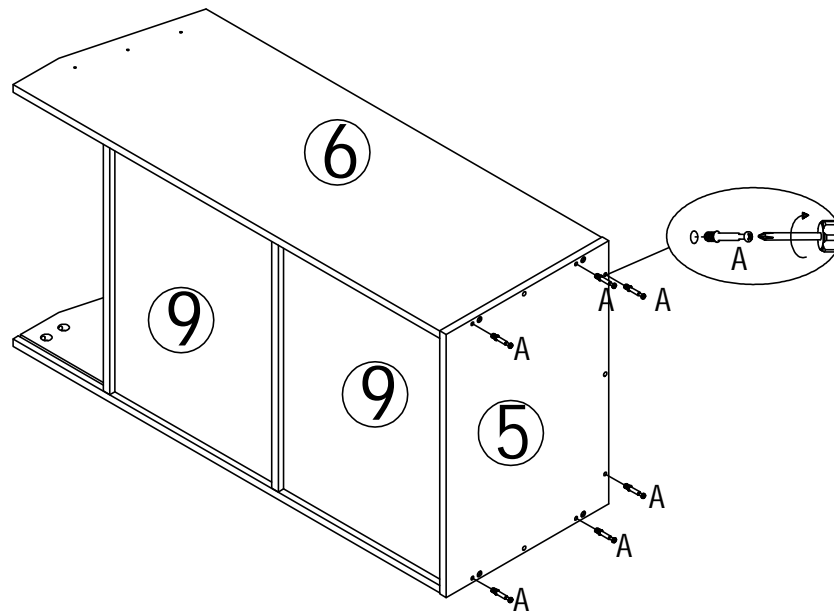
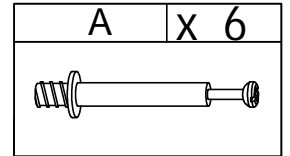
Step 7



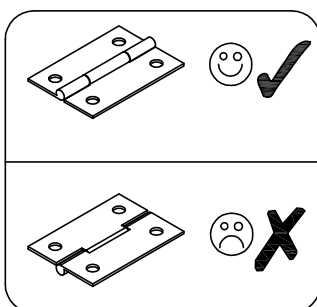
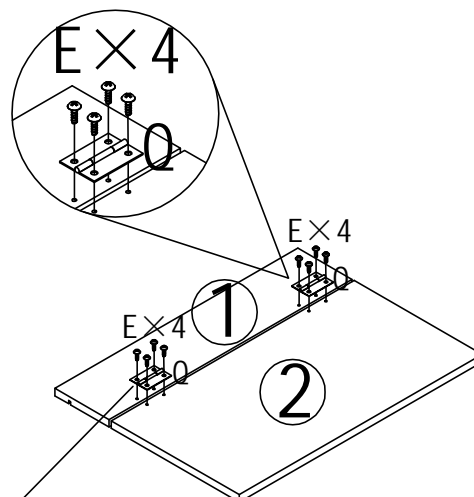
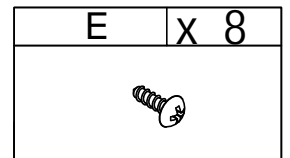
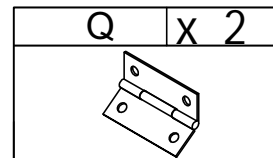
Step 8



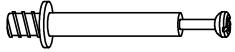
Step 9

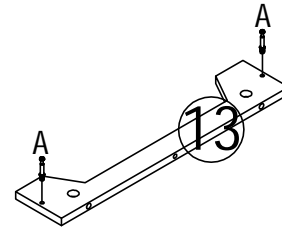
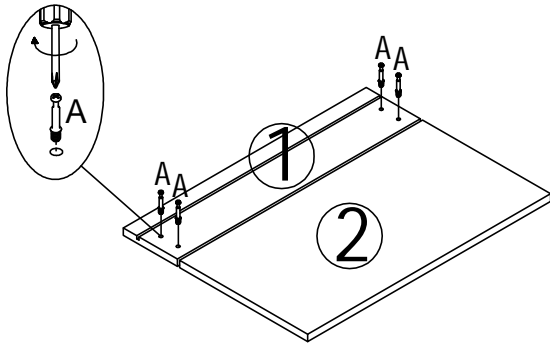


Step 10





Step 11

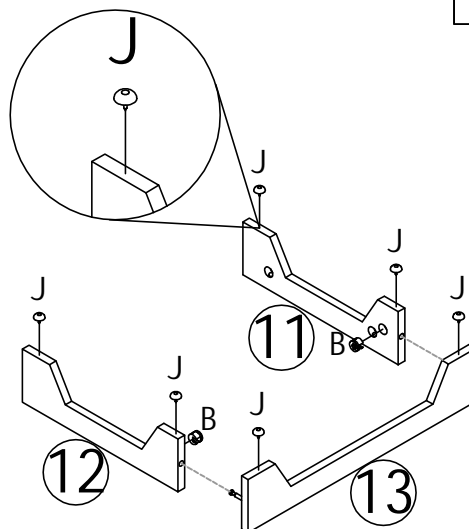
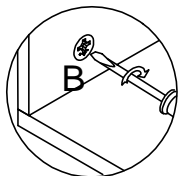
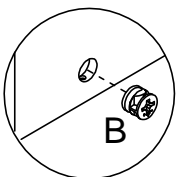
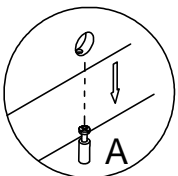
A	x 6
	



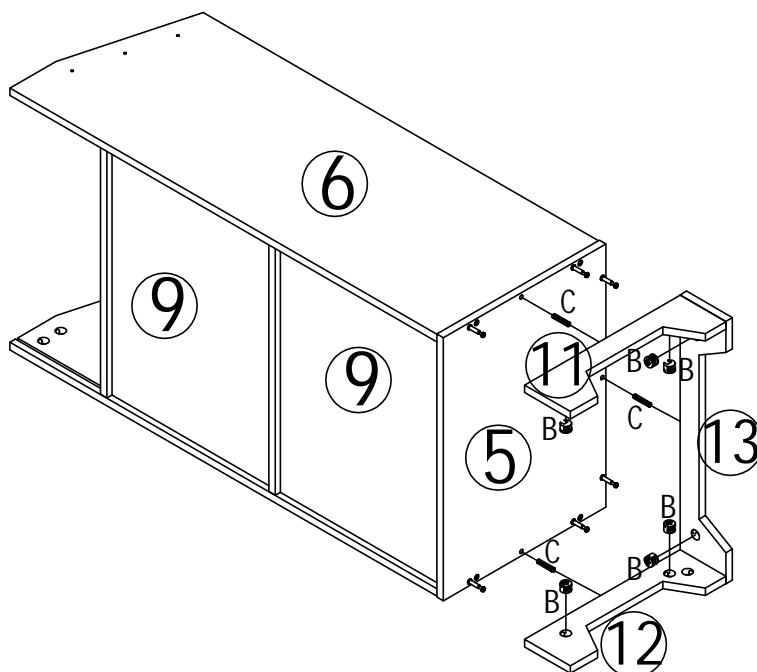
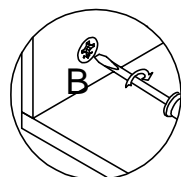
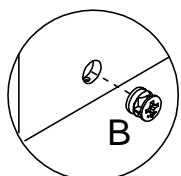
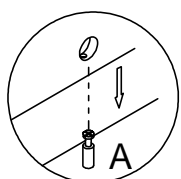
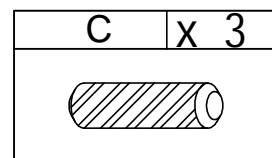
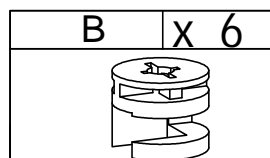
Step 12

J	x 6
	

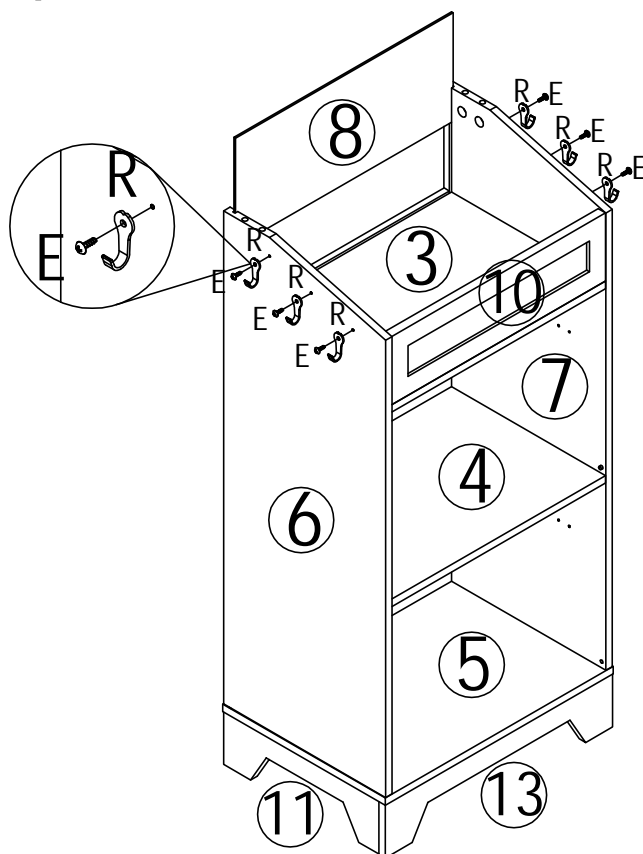
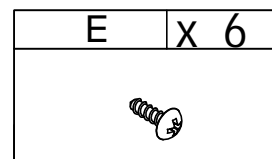
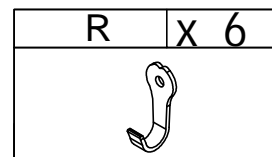
B	x 2
	



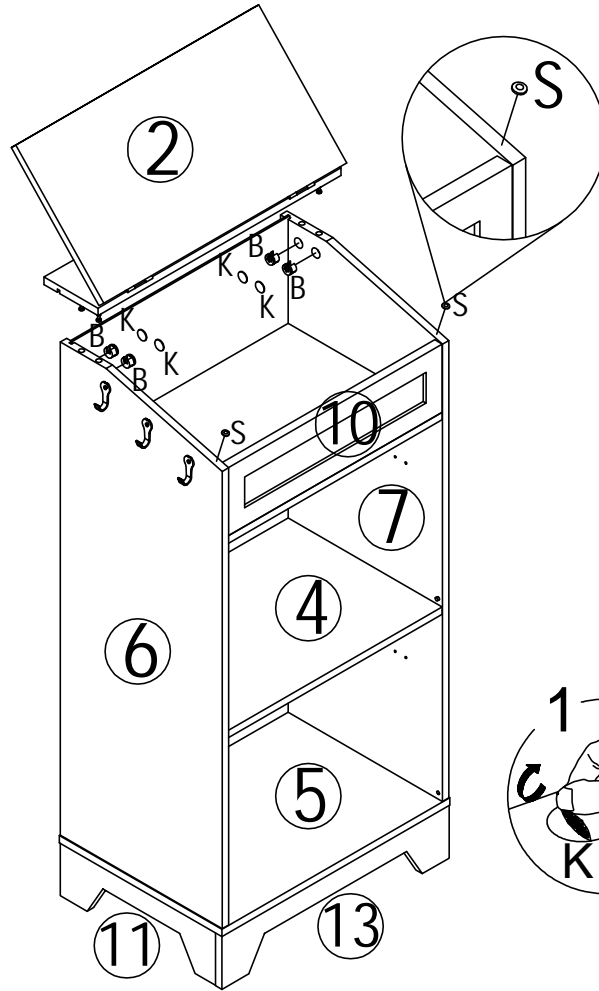
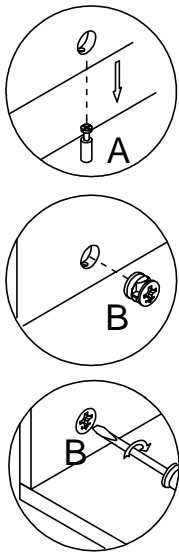
Step 13



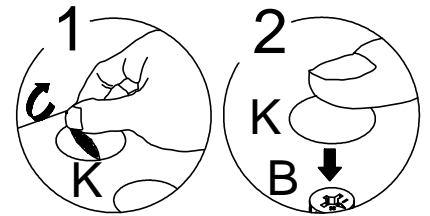
Step 14



Step 15



B	X 4
K	X 4
S	X 2



Step 16

N	X 2

M	X 2

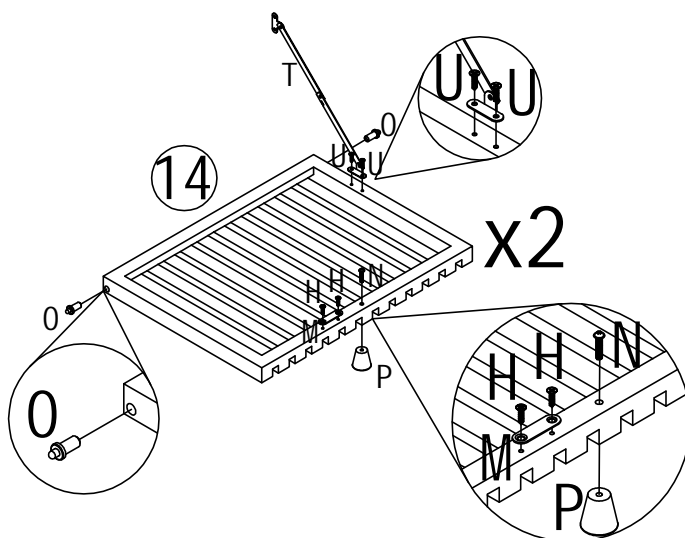
H	X 4

T	X 2

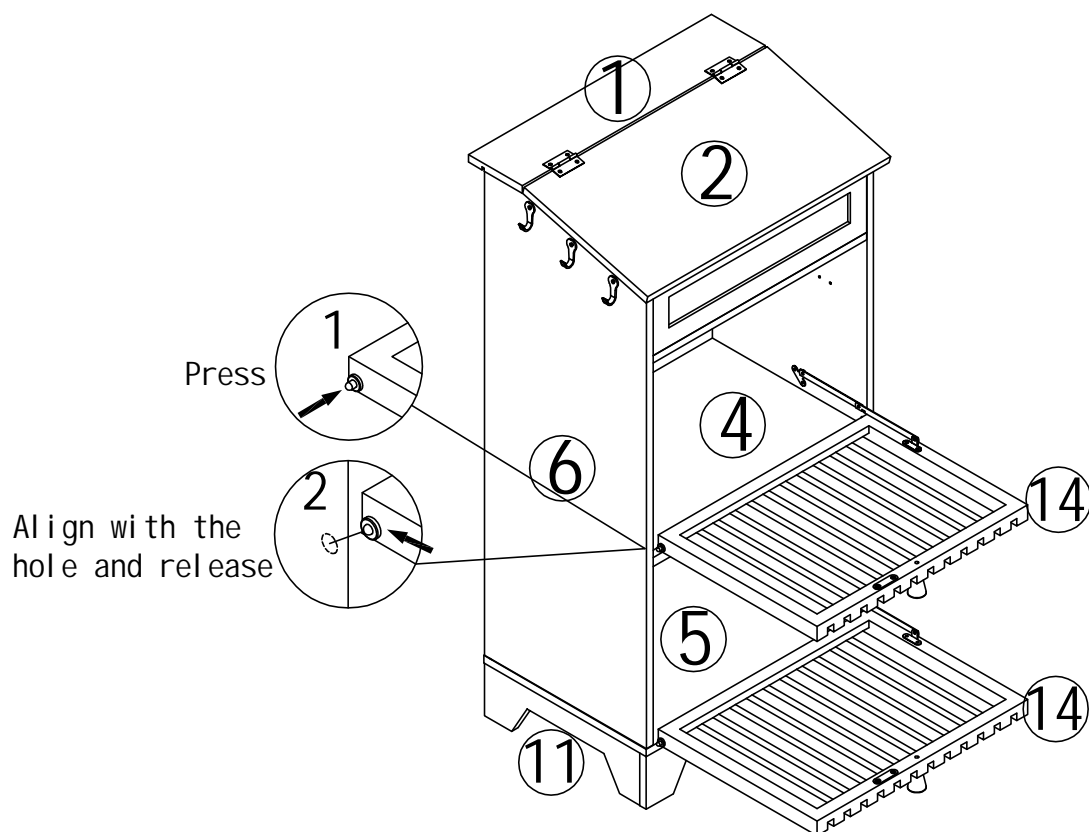
O	X 4

P	X 2

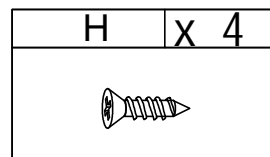
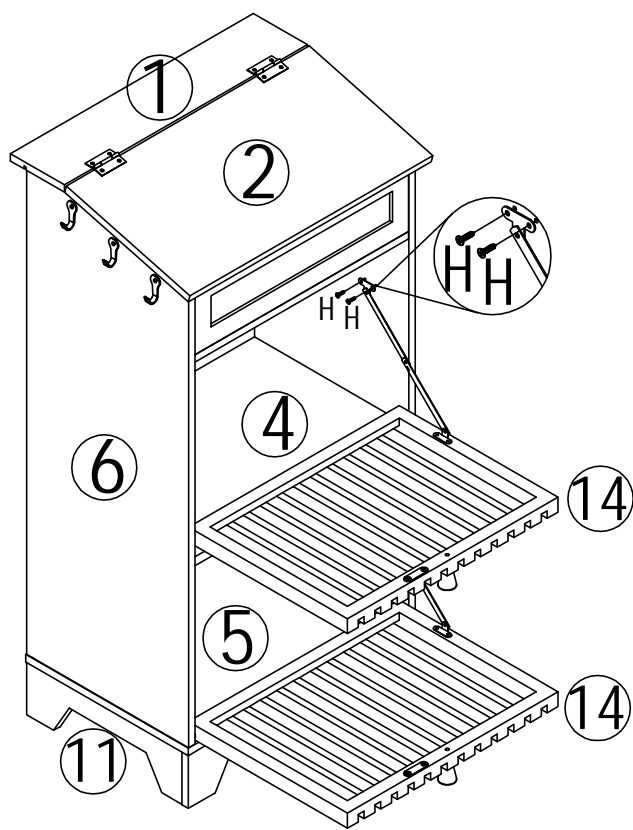
U	X 4



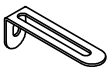
Step 17

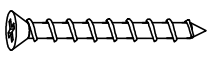


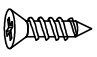
Step 18

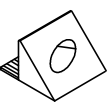



Step 19

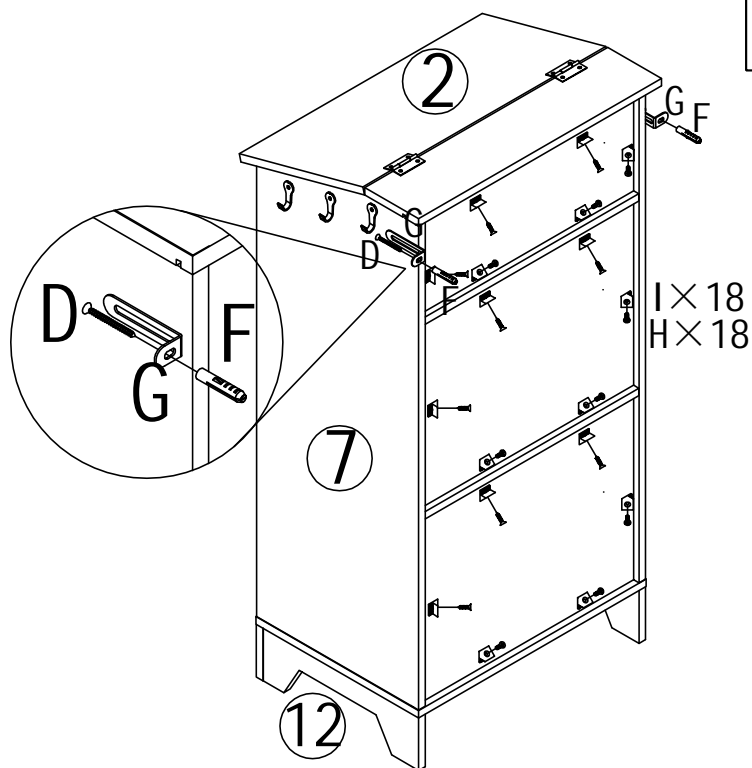
G	X 2
	

D	X 2
	

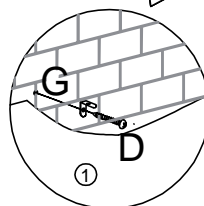
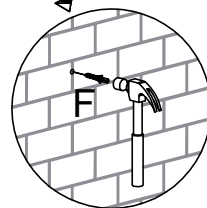
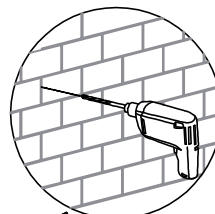
H	X 18
	

I	X 18
	


F	X 2
	

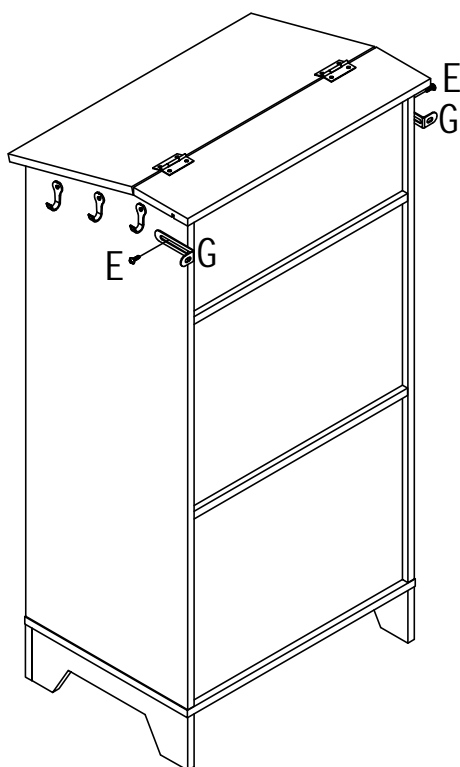


drill hole in wall

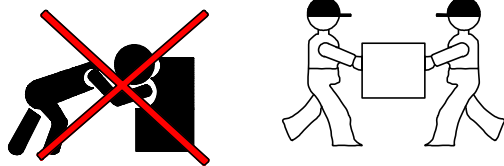
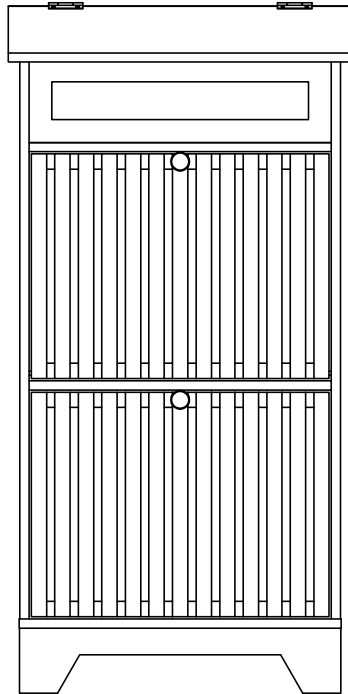


Step 20

E	X 2
	



Step 21



Two people work together to move the cabinet.
Make sure you lift it off the ground.
Don't push and pull.