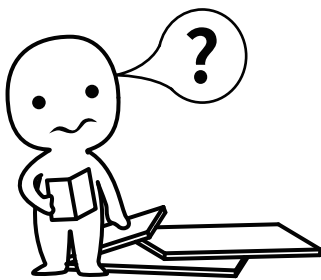


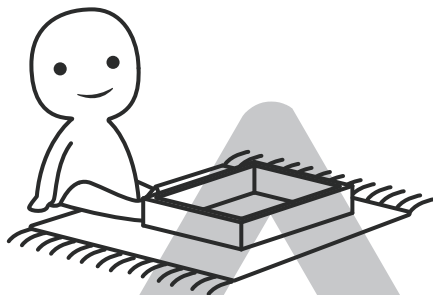
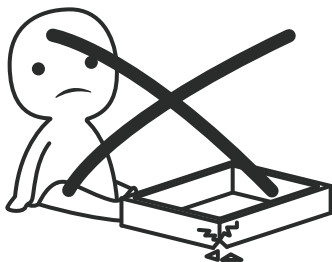
# **INSTALLATION**

*Product Manual*



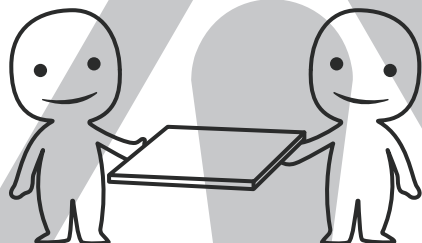
### **IMPORTANT INFORMATION!**

please read the entire manual before starting to assemble and/or using this product. follow the manual thoroughly and keep it for further reference.



### **AVOID SCRATCHES!**

In order to avoid scratching this furniture should be assembled on a soft layer- could be a rug.



### **IMPROVE EFFICIENCY !**

Try to find a partner to install with you, which can speed up the installation efficiency and shorten the time.



### **ANTI-TOPPLE WARNING !**

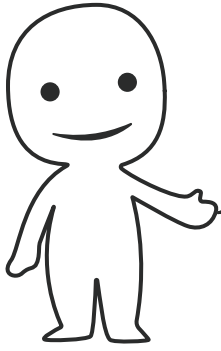
Overturnd furniture can cause serious or fatal crush injuries. To prevent tipping over, be sure to use the wall attachment, if not included with this product. Please purchase the wall attachment that fit your wall. If unsure, seek professional advice. Please read and follow each step of the instructions carefully.

### **IMPORTANT !**

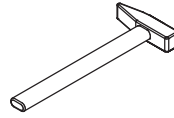
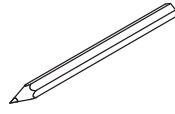
It is important that any product which is assembled using any kind of screw is re-tightened 2 weeks after assembly, and once every 3 months - in order to assure stability through-out the lifespan of the product.

For regular maintenance and cleaning of the product, for the frame, please use a rag dipped in neutral detergent to fully wipe it, and then dry it with a clean rag. For glass materials, wipe with a rag dampened with water glass cleaner, and then dry with a dry rag.

Do not use an electric screwdriver, and do not use too much force when installing, because the board is easy to break.

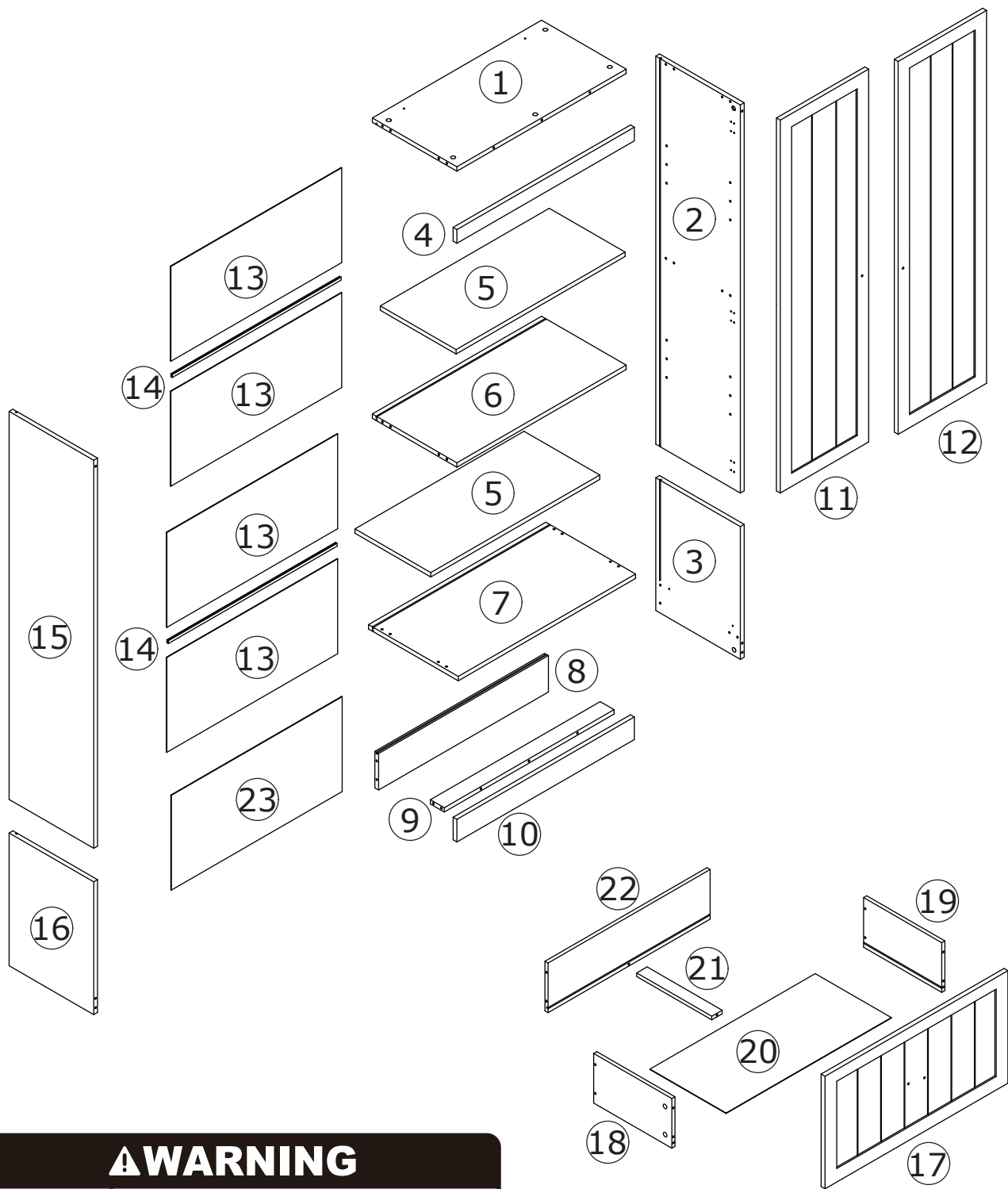


Please prepare the following tools



When installing, please carefully confirm whether each screw corresponds to the manual, accessories with similar shapes can be distinguished by size

A x 29 +3  Ø6 x 35 mm	B x 29 +3  Ø15 x 9 mm	C x 24 +2  Ø6 x 30 mm	D x 8  Ø5 x 25 mm	E x 36 +4  Ø4 x 14 mm
F x 2 	DL x 1 	DR x 1 	CR x 1 	CL x 1 
G x 2  Ø4 x 8 mm	H x 8 +1  Ø3 x 12 mm	J x 6  Ø4 x 40 mm	K x 2 	L x 2  Ø6 x 30 mm
M x 2  Ø4 x 12 mm	N x 2  Ø4 x 18 mm	O x 6 	P x 1 	Q x 5  Ø4 x 30 mm
R x 20 +2  Ø3 x 14 mm	S x 20(white) 			



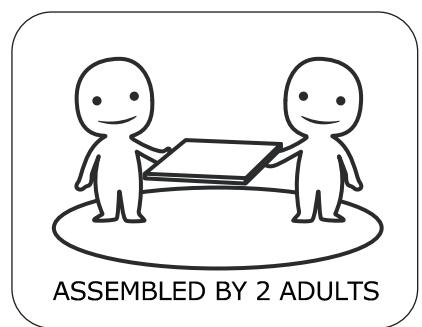
## ⚠ WARNING



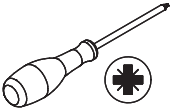
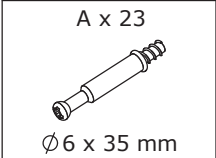
**Children have died from furniture tipover. To reduce the risk of furniture tipover:**

- ALWAYS install Anti-tip device provided.
- NEVER put a TV on this product.
- NEVER allow children to stand, climb or hang on drawers, doors, or shelves.
- NEVER open more than one drawer at a time.
- Place heaviest items in the lowest drawers.

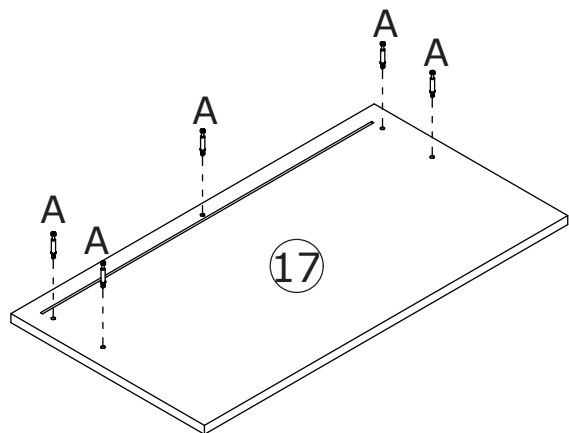
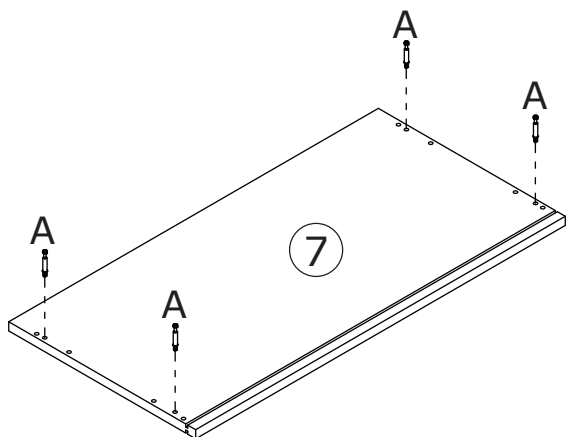
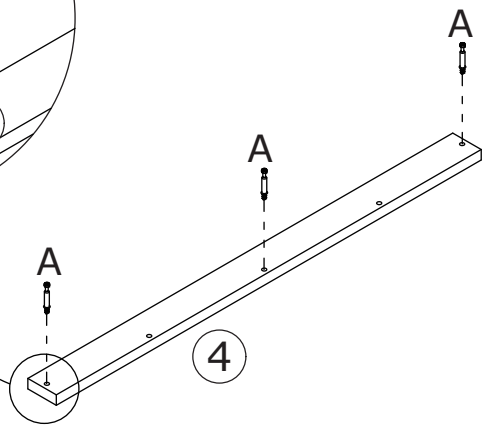
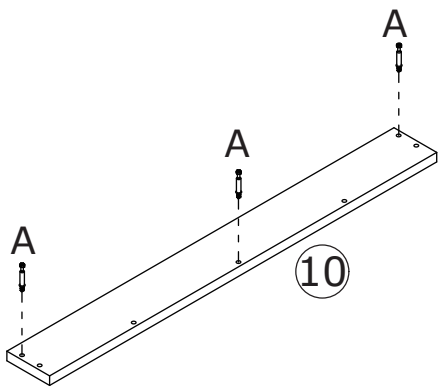
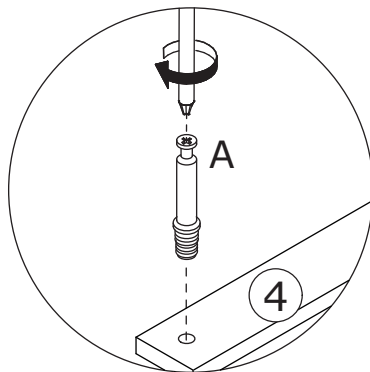
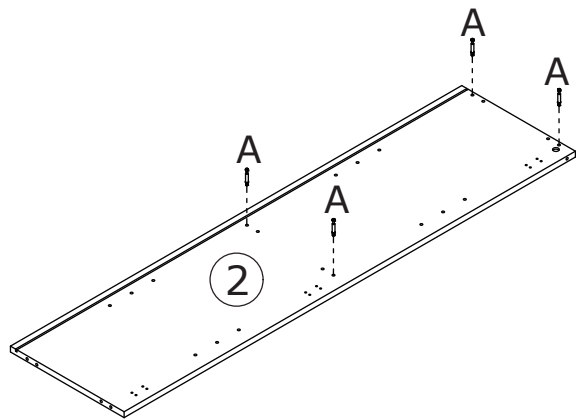
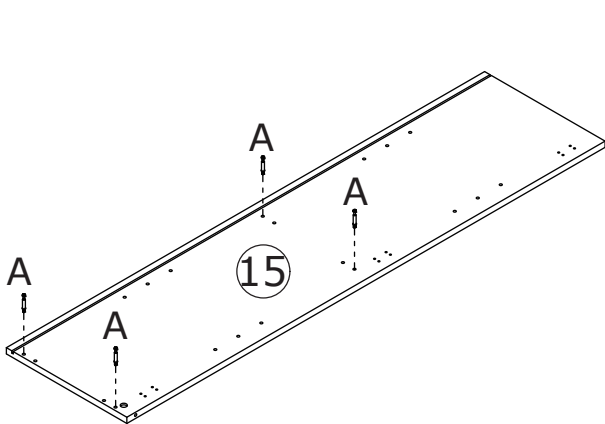
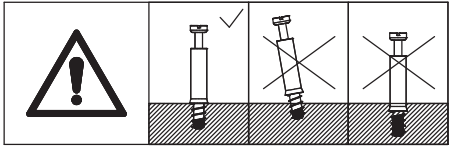
*This is a permanent label. Do not remove!*



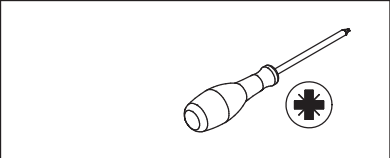
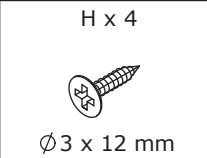
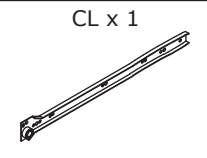
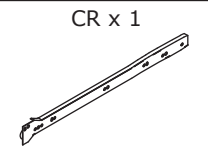
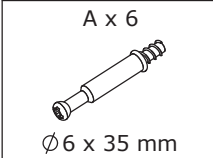
1



Insert quickfit screw(A) into corresponding holes in plate 2,4,7,10,15 and 17 with a screwdriver as shown.



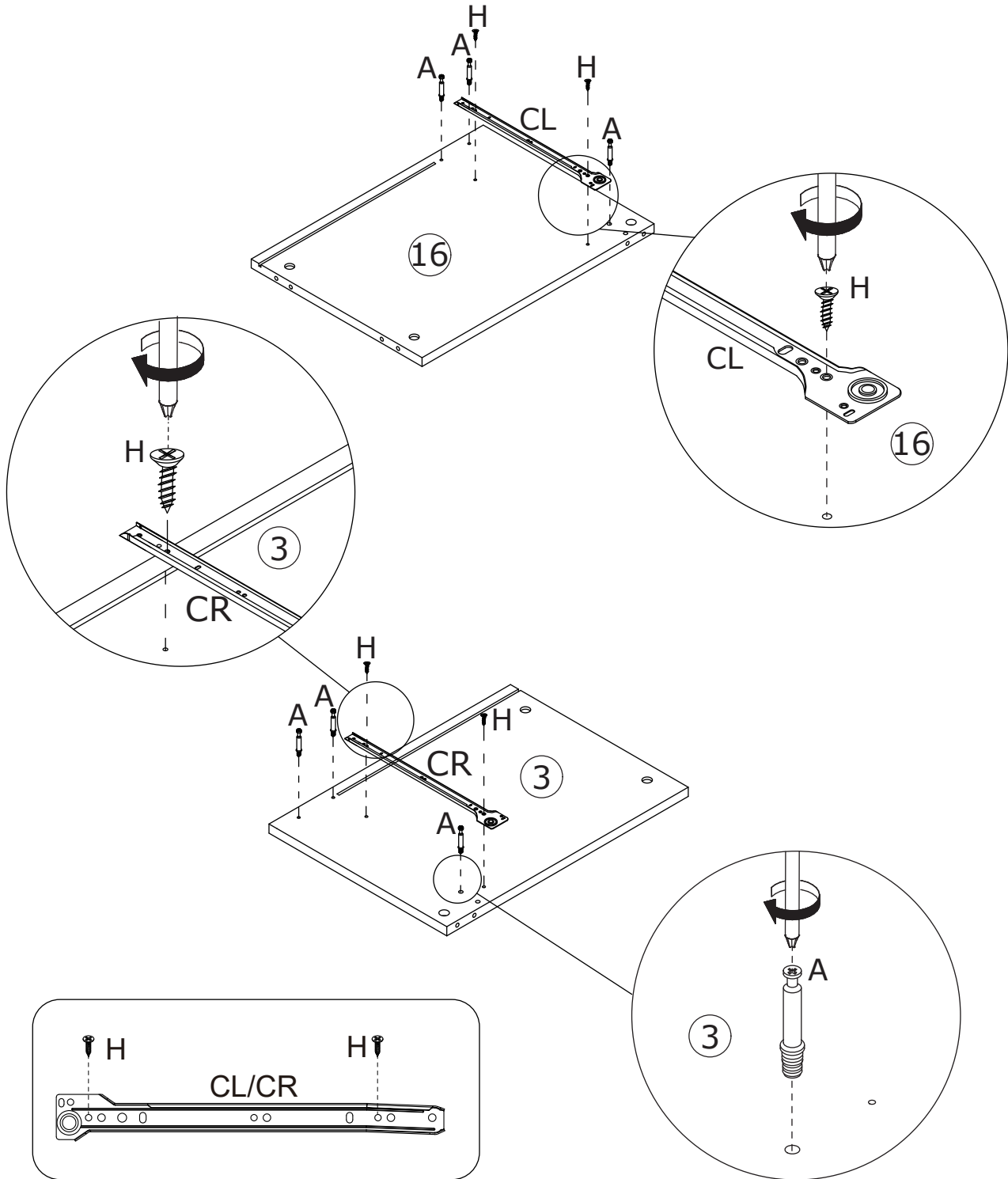
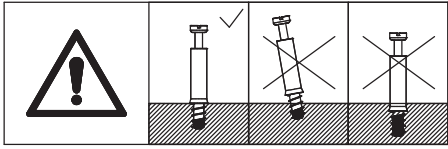
2








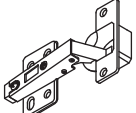
Fix slide rail(CL) to plate 16 using screw(H) as shown.

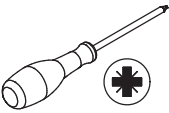
Fix slide rail(CR) to plate 3 using screw(H) as shown.

Insert quickfit screw(A) into corresponding holes in plate 16 and 3 as shown.

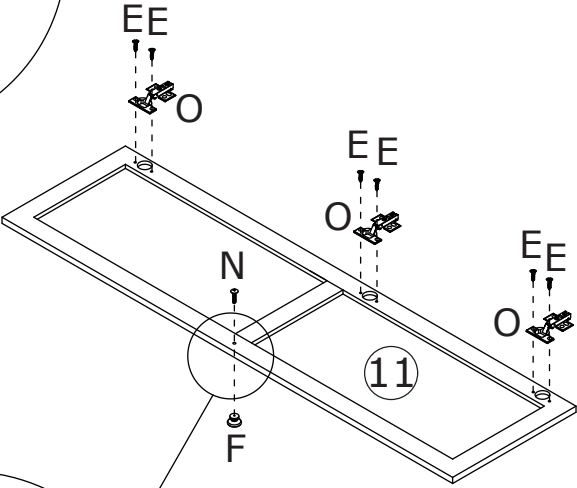
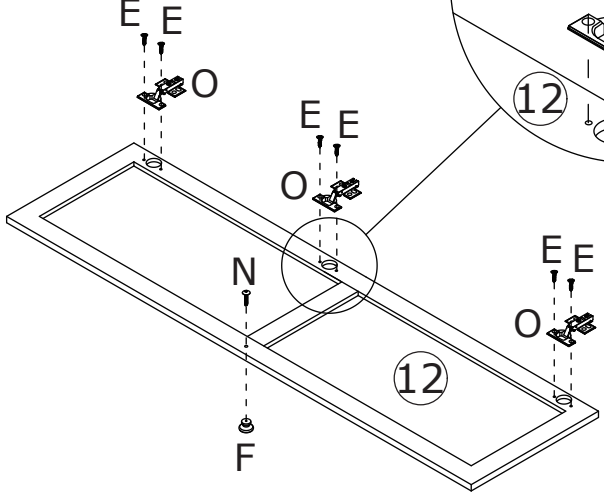
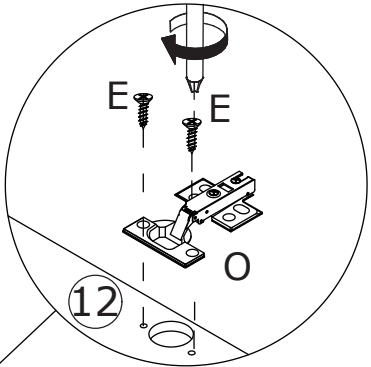
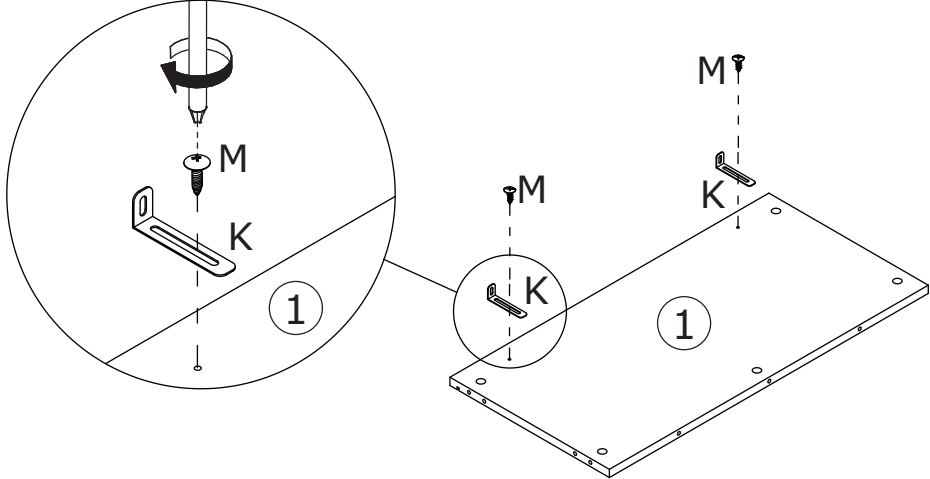


3

E x 12  Ø4 x 14 mm	F x 2 	K x 2 
M x 2  Ø4 x 12 mm	N x 2  Ø4 x 18 mm	O x 6 



Fix part(K) to plate 1 using screw(M) as shown.



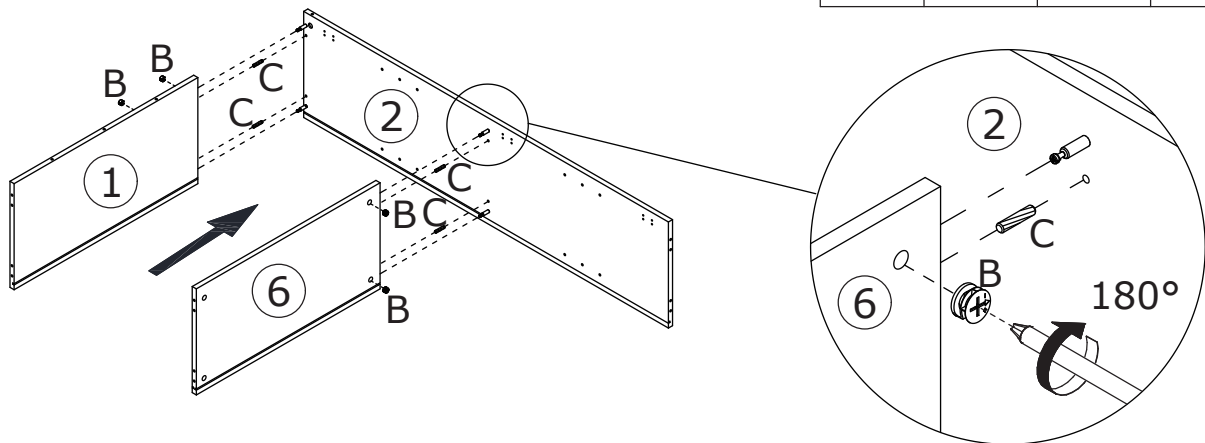
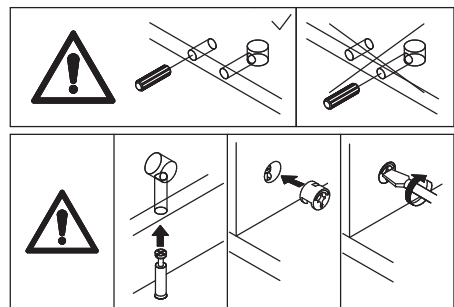
Fix knob(F) using screw(N) as shown.

Fix hinge(O) to plate 11 and 12 using screw(E) as shown.

4

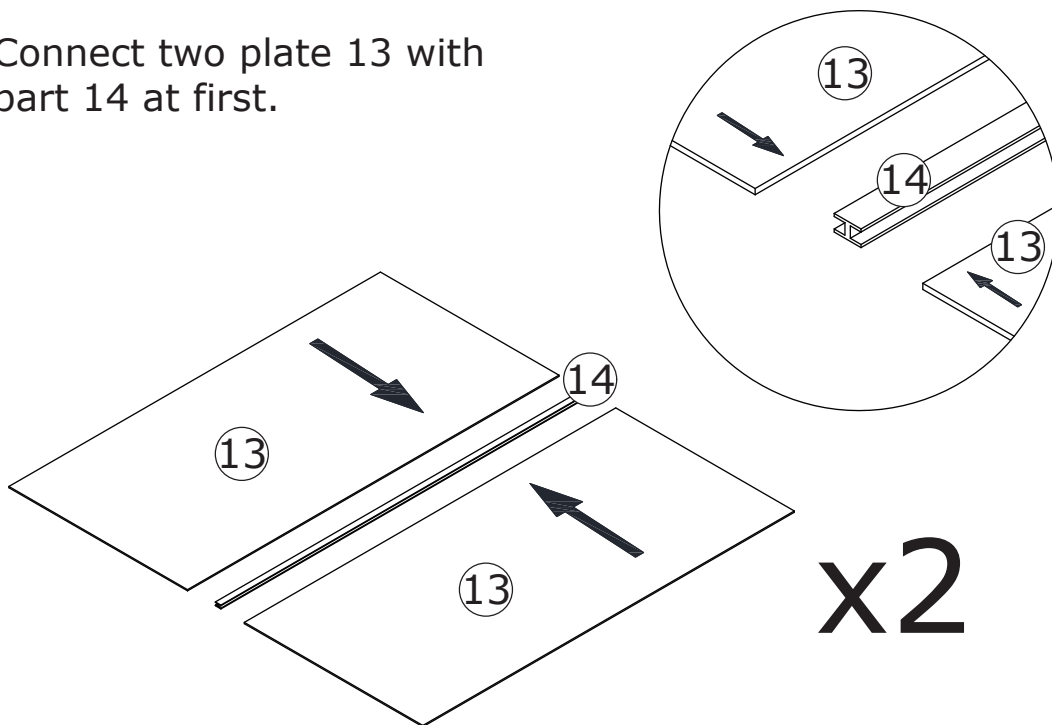


Attach plate 1 and 6 to plate 2 with wooden dowel(C), insert cam lock(B) into plate 1,6 and turn clockwise to tighten as shown.

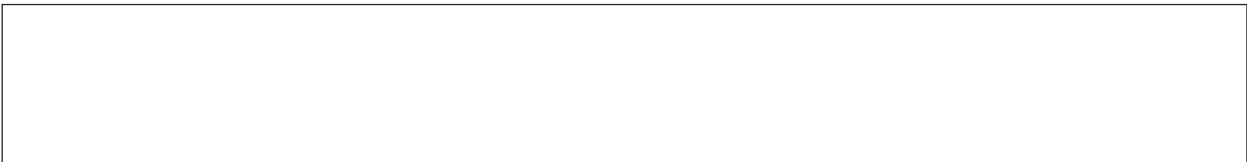


5

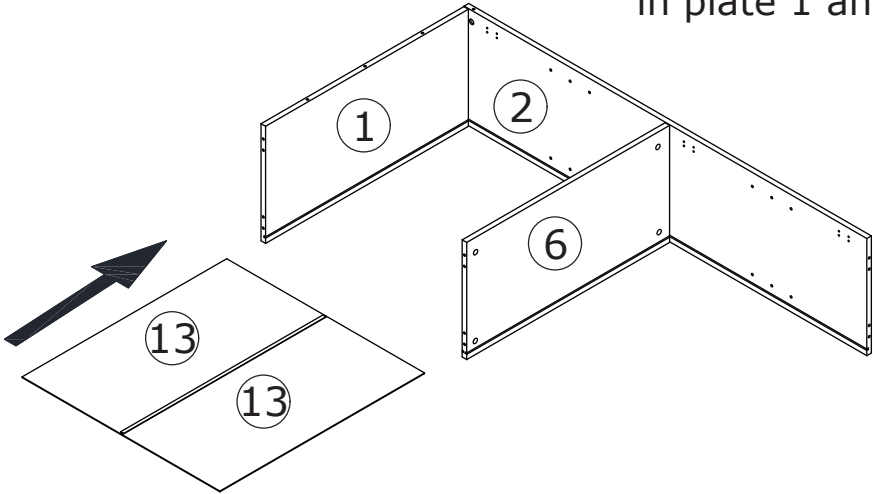
Connect two plate 13 with part 14 at first.



6



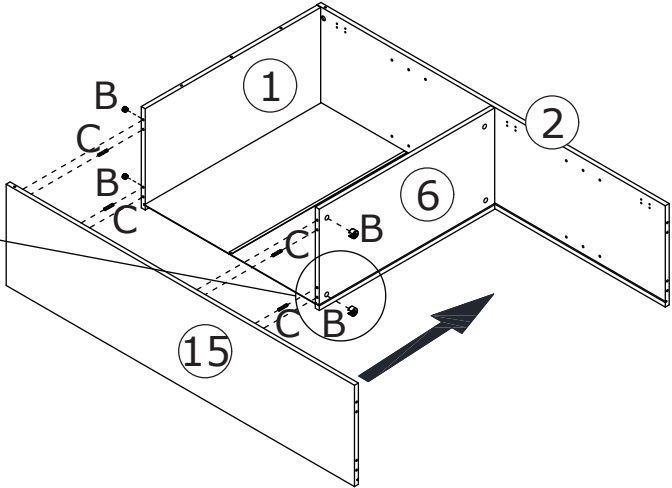
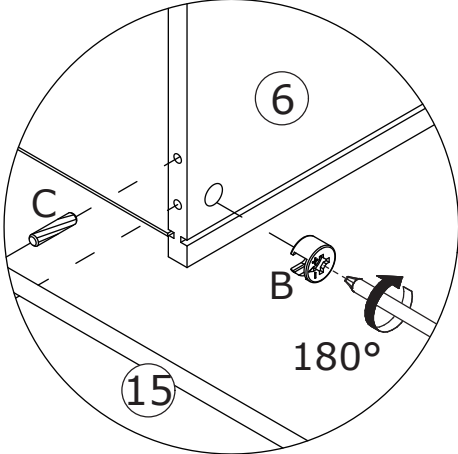
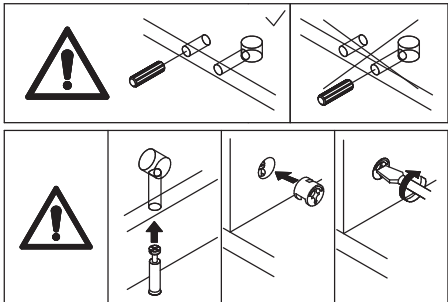
Slide plate 13 along grooves in plate 1 and 6.



7

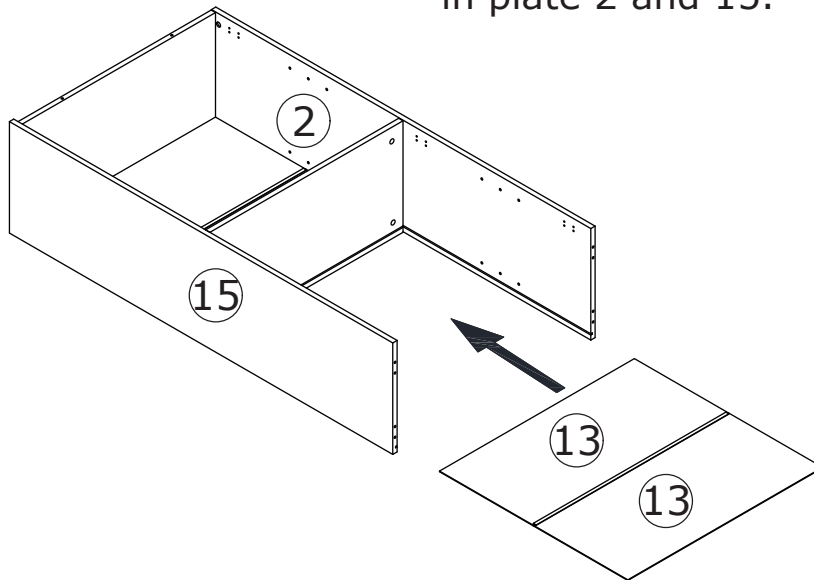


Attach plate 15 to plate 1 and 6 with wooden dowel(C), insert cam lock(B) into plate 1,6 and turn clockwise to tighten as shown.



8

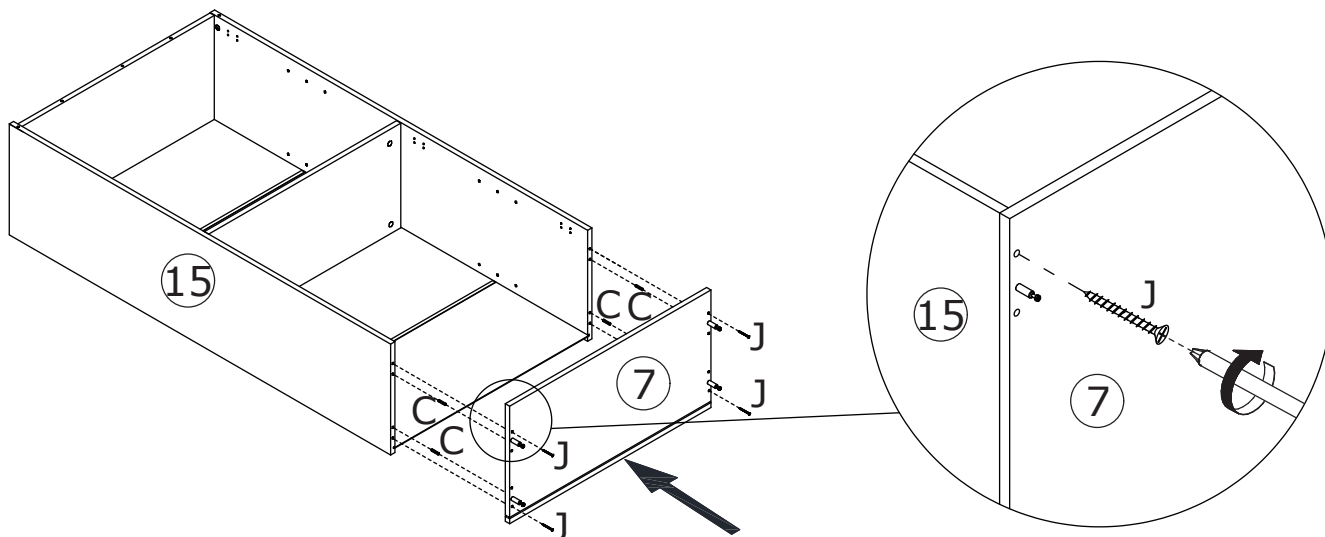
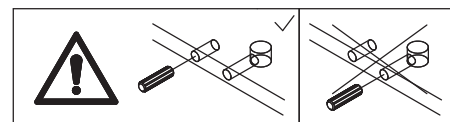
Slide plate 13 along grooves in plate 2 and 15.



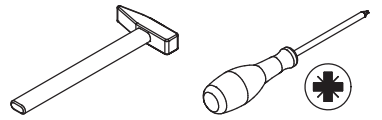
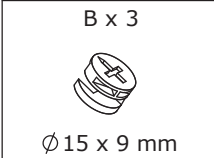
9



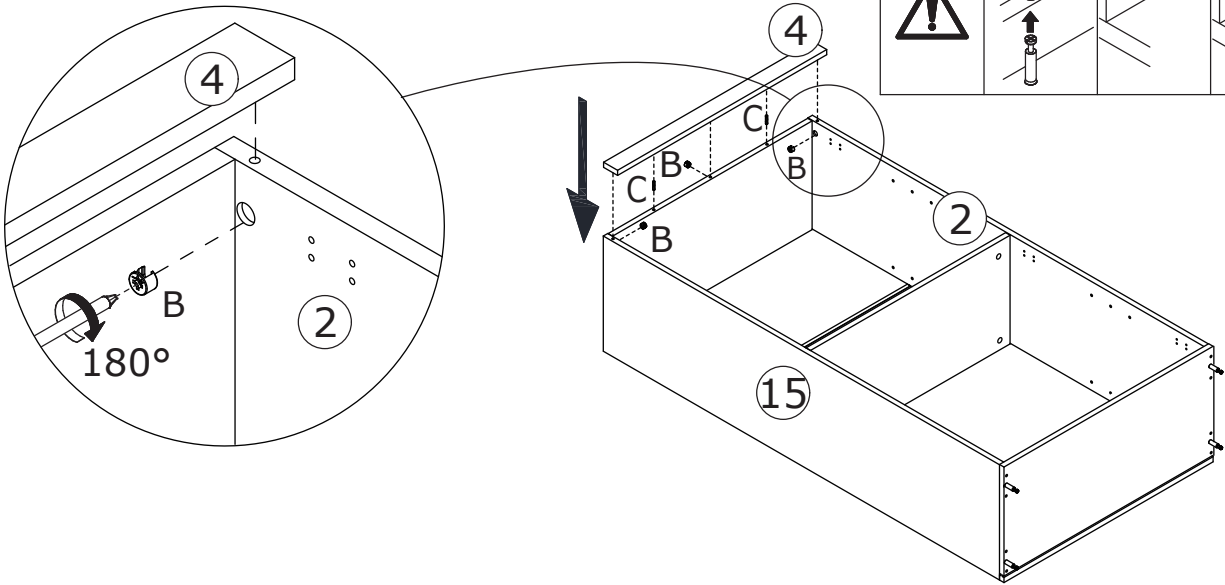
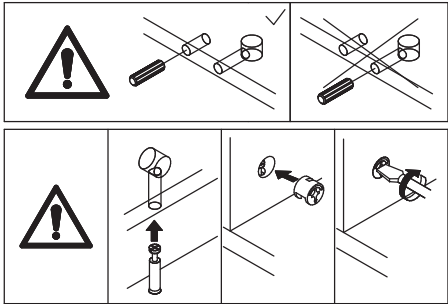
Attach plate 7 to plate 2 and 15 with wooden dowel(C), then fix using screw(J) as shown.



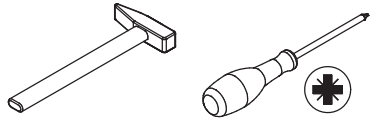
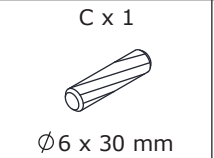
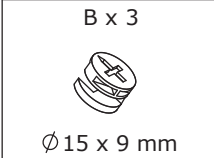
# 10



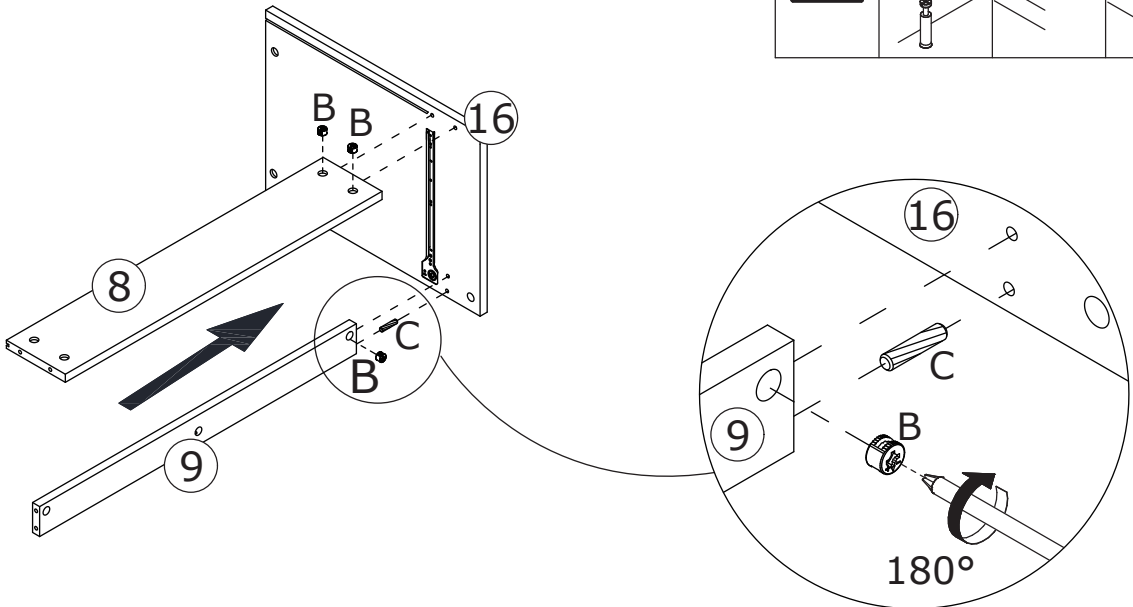
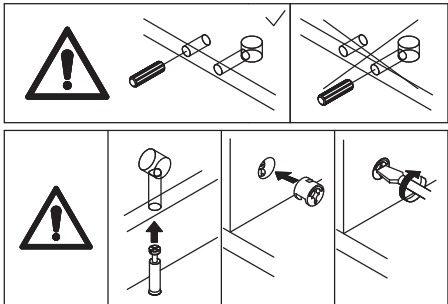
Attach plate 4 to plate 1, 2 and 15 with wooden dowel(C), insert cam lock(B) into plate 1,2,15 and turn clockwise to tighten as shown.



# 11



Attach plate 9 to plate 16 with wooden dowel(C) at first; attach plate 8 to plate 16, insert cam lock(B) into plate 8,9 and turn clockwise to tighten as shown.



# 12

B x 3

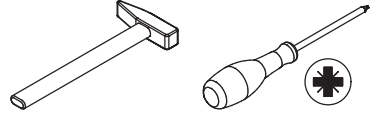


Ø15 x 9 mm

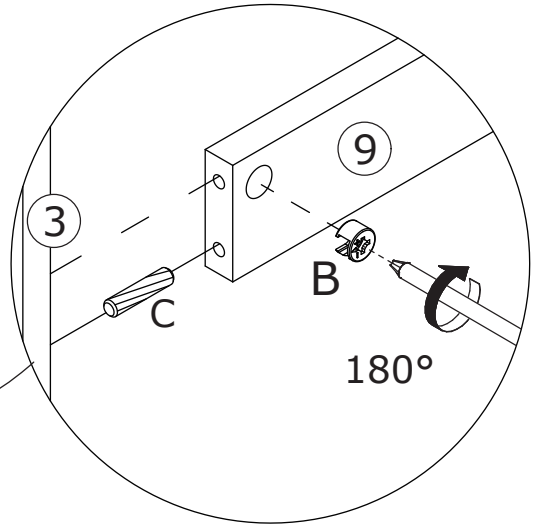
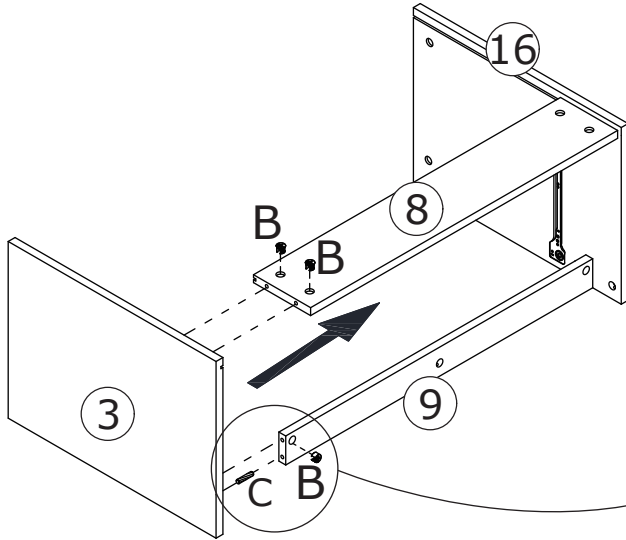
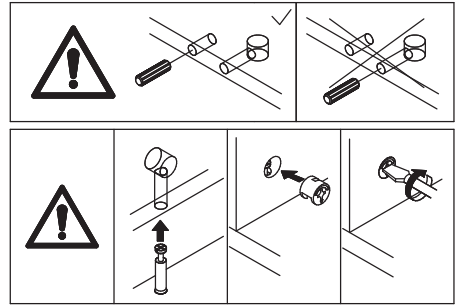
C x 1



Ø6 x 30 mm



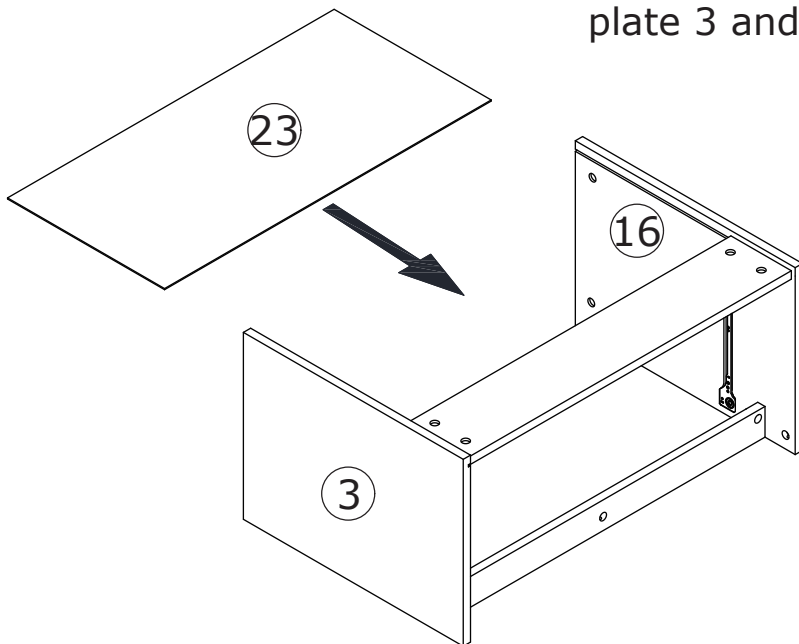
Attach plate 3 to plate 9 with wooden dowel(C) at first; attach plate 3 to plate 8, insert cam lock(B) into plate 8,9 and turn clockwise to tighten as shown.



# 13



Slide plate 23 along grooves in plate 3 and 16.



# 14

B x 3

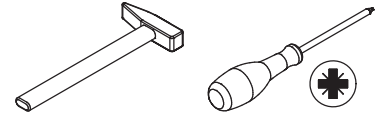


Ø15 x 9 mm

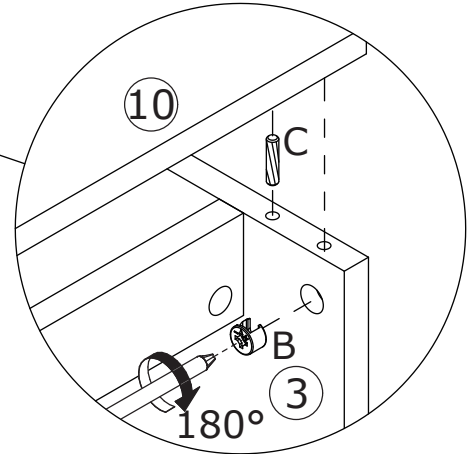
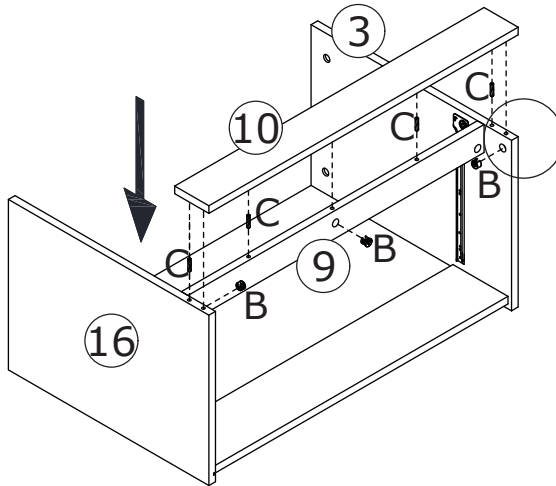
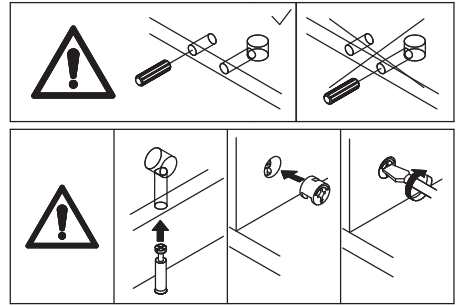
C x 4



Ø6 x 30 mm



Attach plate 10 to plate 3,9 and 16 with wooden dowel(C), insert cam lock(B) into plate 3,9,16 and turn clockwise to tighten as shown.



# 15

B x 4

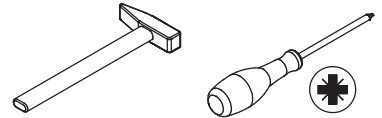


Ø15 x 9 mm

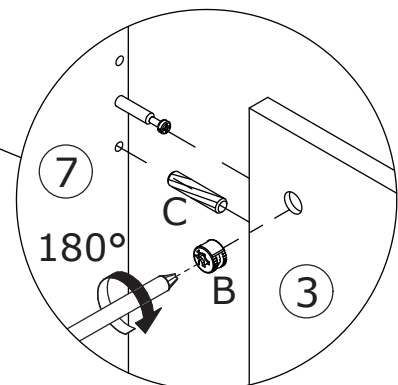
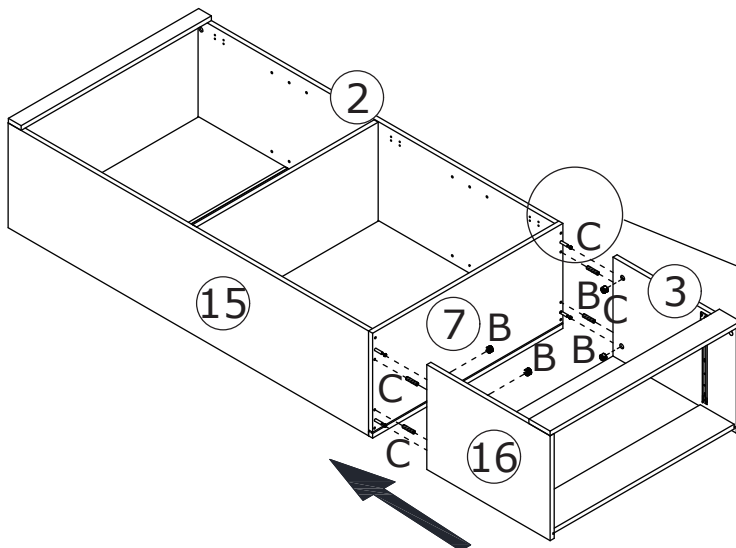
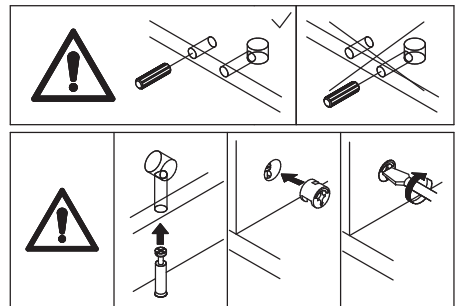
C x 4



Ø6 x 30 mm



Connect the two assembled components using wooden dowel(C), insert cam lock(B) into plate 3,16 and turn clockwise to tighten as shown.

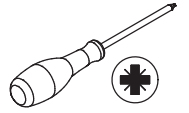


# 16

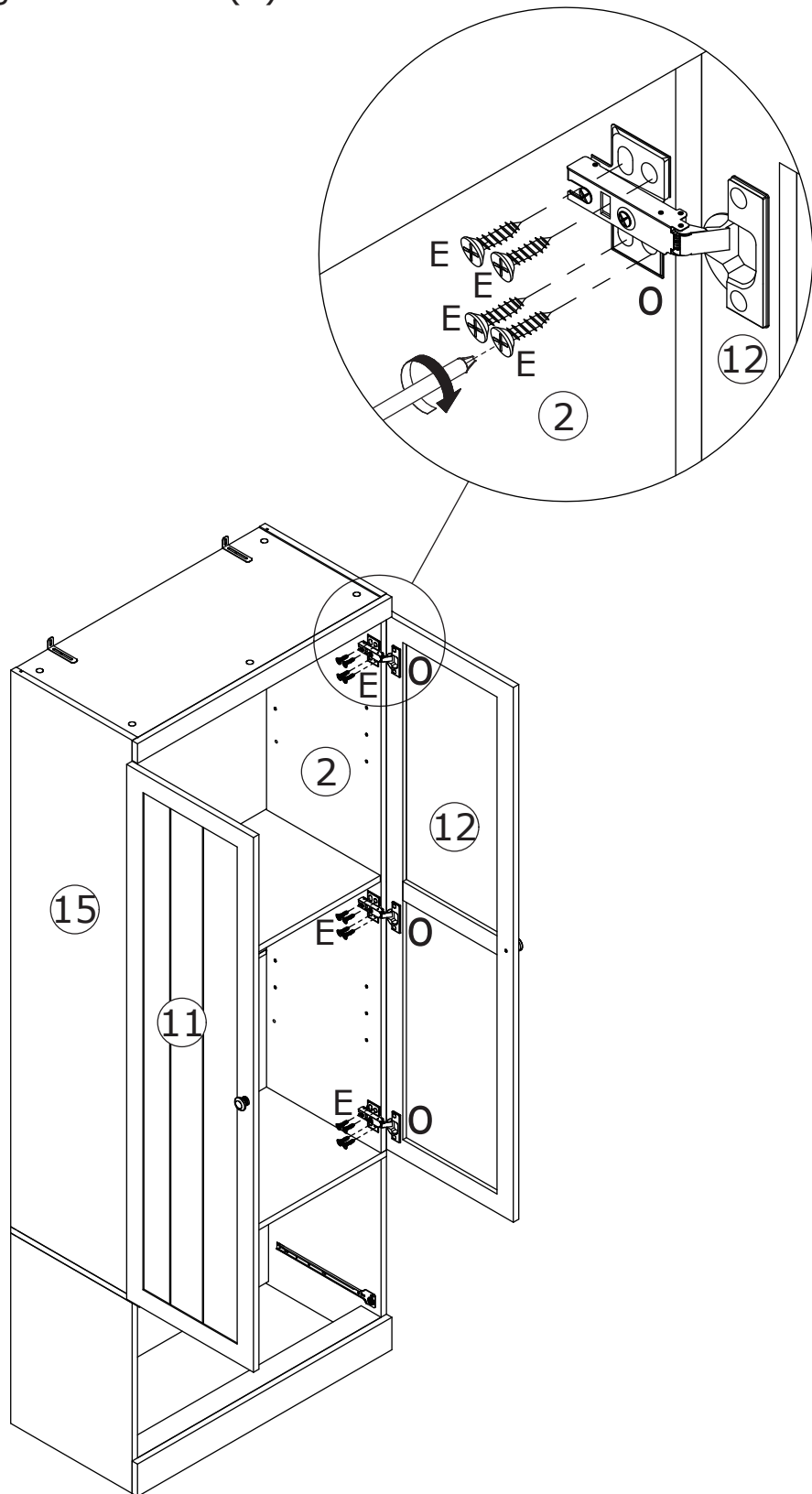
E x 24

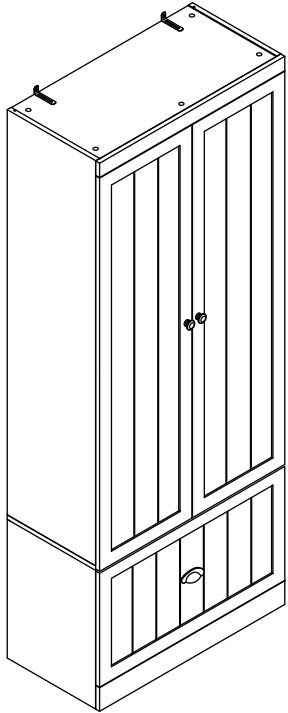
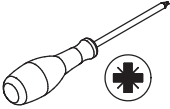


Ø4 x 14 mm



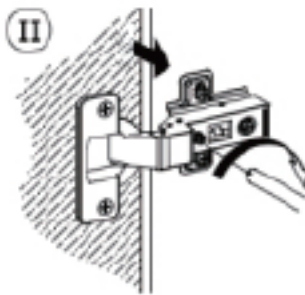
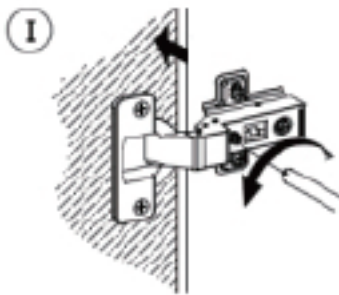
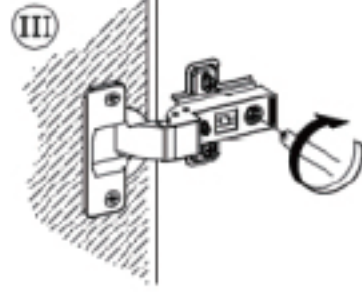
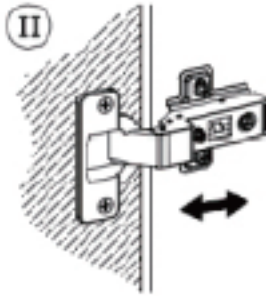
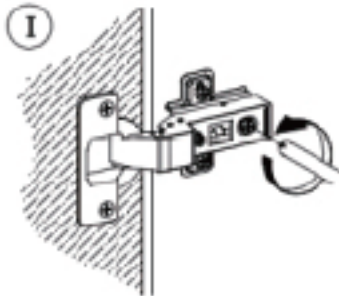
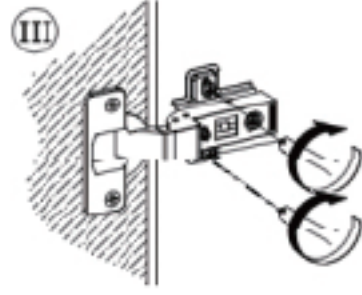
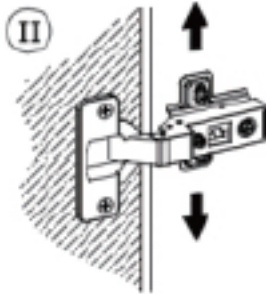
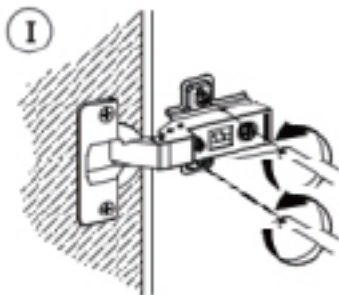
Attach door plate to the side of the unit by fixing hinge with screw(E) as shown.





If there is misalignment after you install, adjust the screw to the best condition

If doors are still not aligned if the hinges are properly correctly, please watch the video.

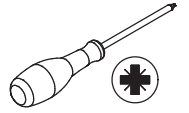


# 18

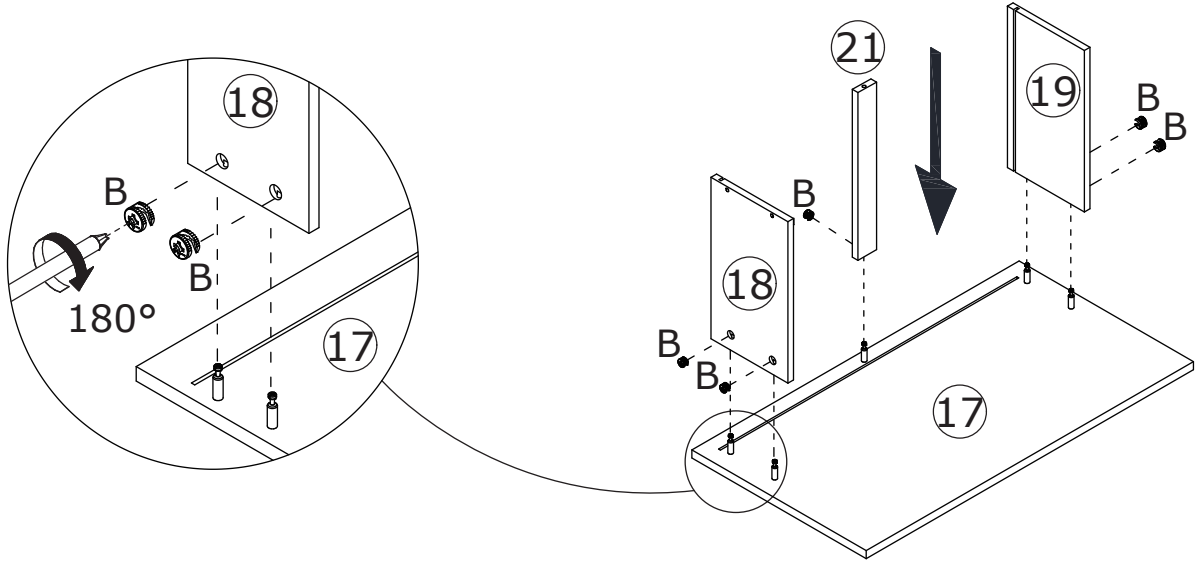
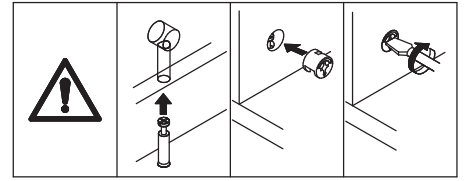
B x 5



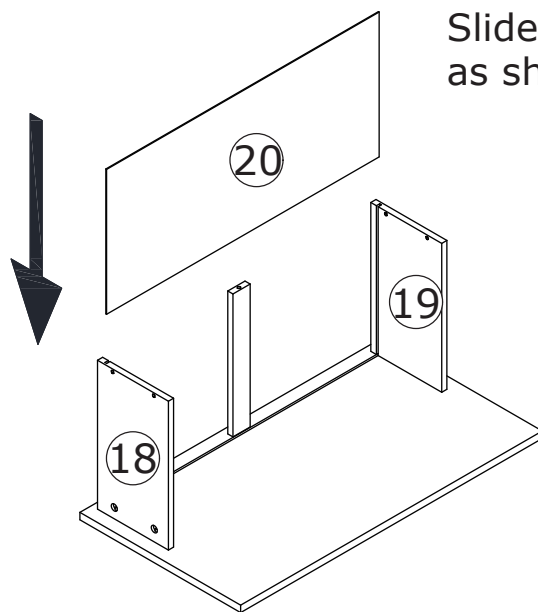
Ø15 x 9 mm



Attach plate 18, 21 and 19 to plate 17, turn cam lock (B) clockwise to tighten as shown.

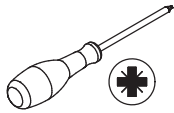
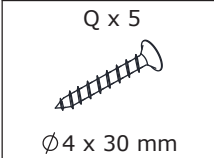


# 19

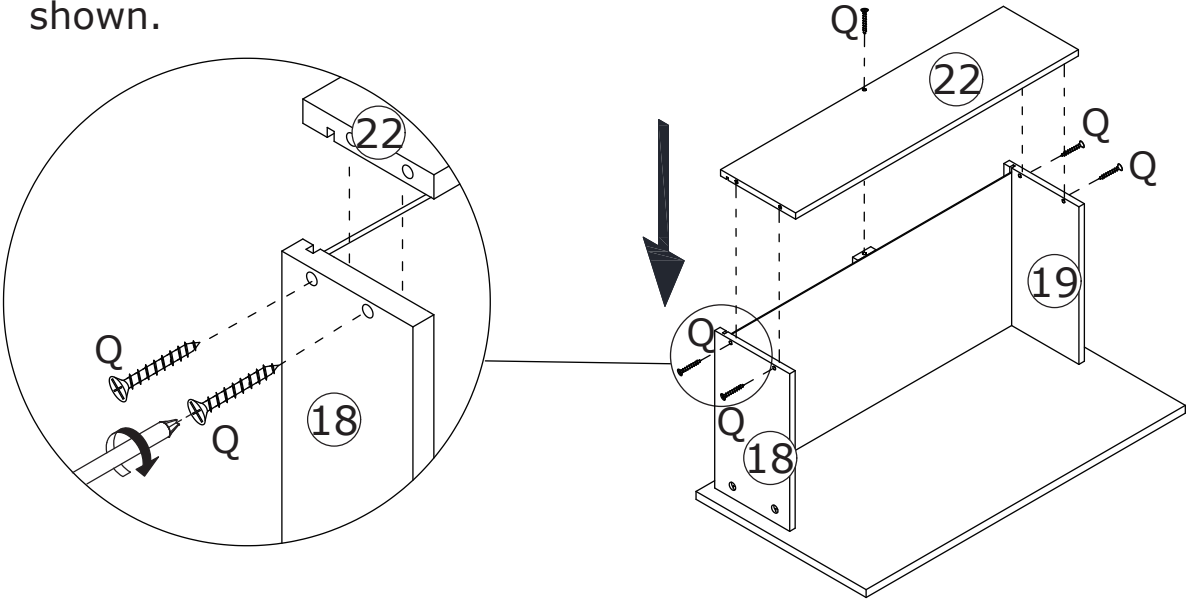


Slide plate 20 along grooves as shown.

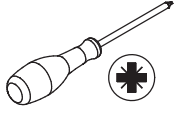
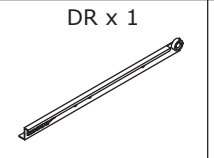
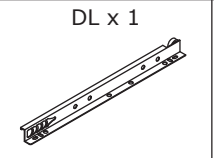
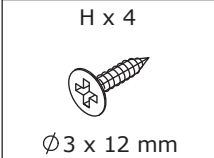
20



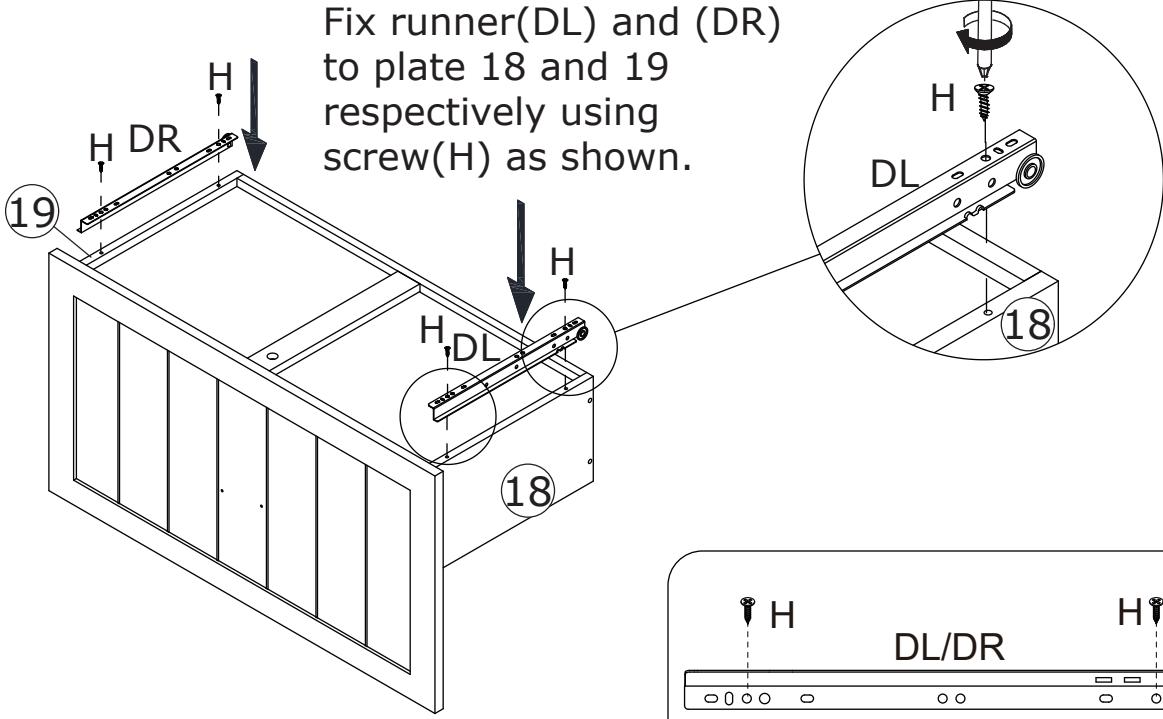
Fix plate 22 with plate 18,21 and 19 using screw(Q) as shown.



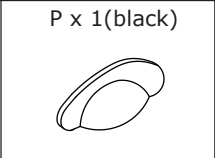
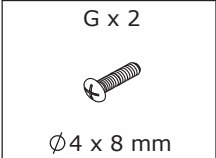
21



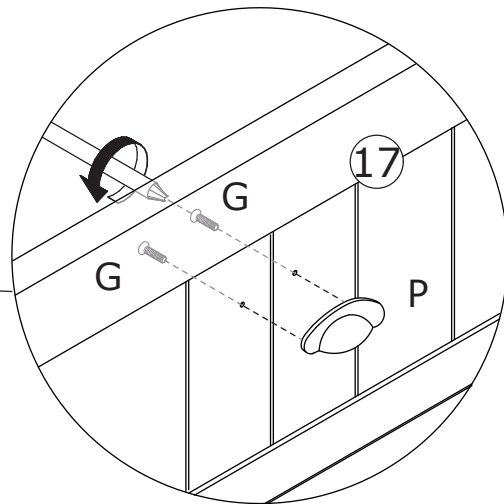
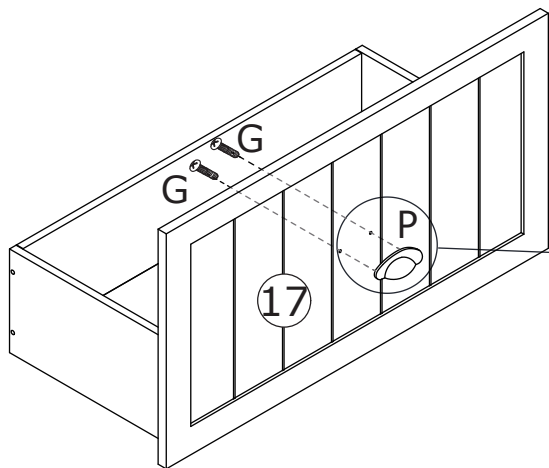
Fix runner(DL) and (DR) to plate 18 and 19 respectively using screw(H) as shown.



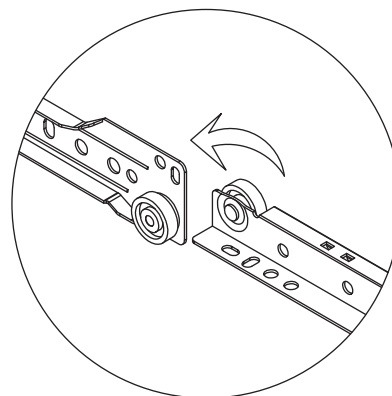
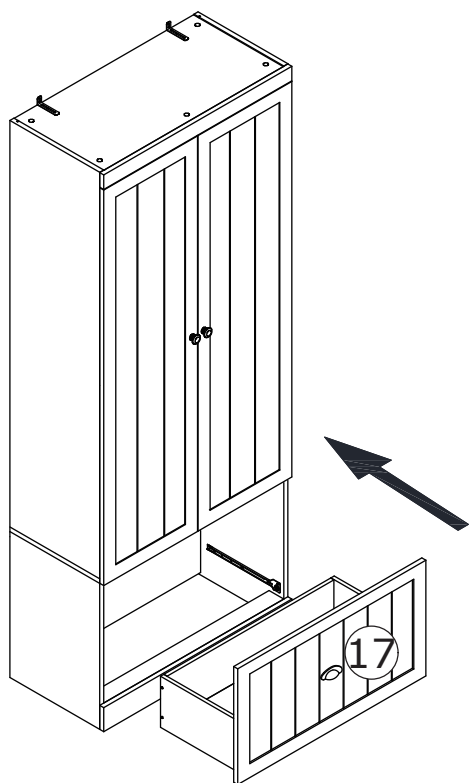
22



Fix handle(P) to drawer face using screw(G) as shown.


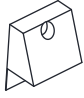
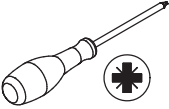


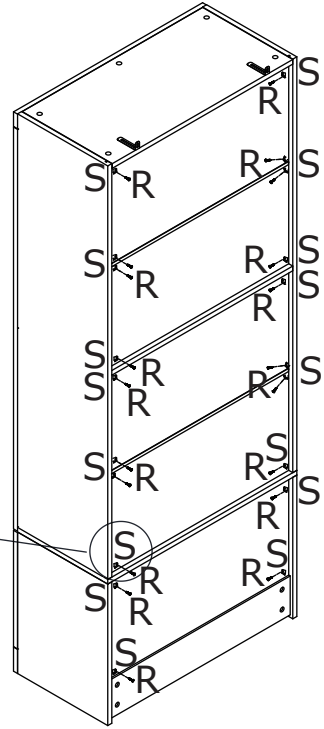
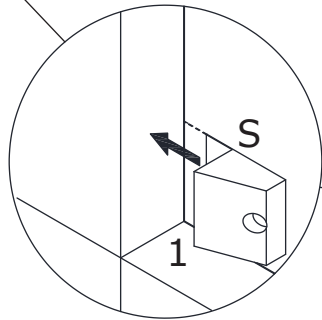
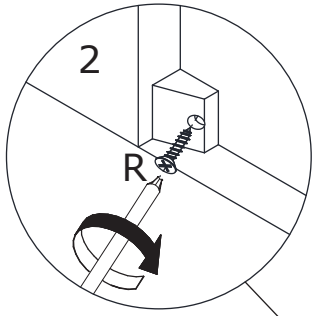
23



Align rails, slide the drawer.

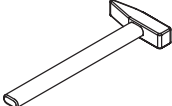
24

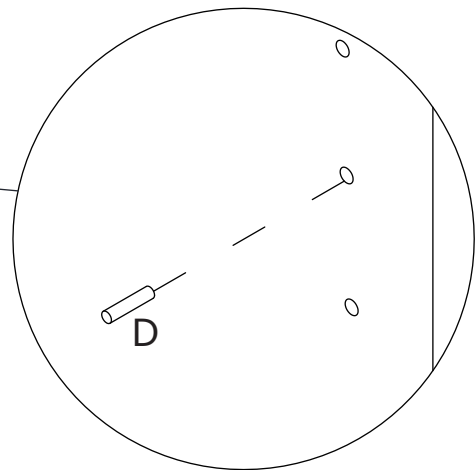
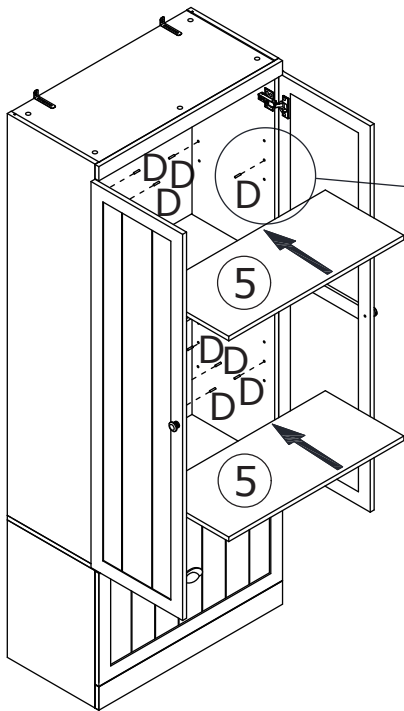
R x 20  Ø3 x 14 mm	S x 20(white) 	
---	--	---



Reinforce back plates using part(S) with screw(R) as shown.

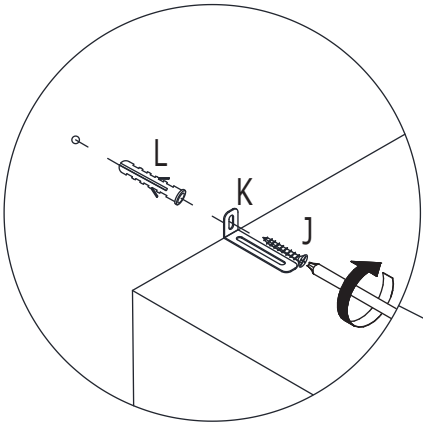
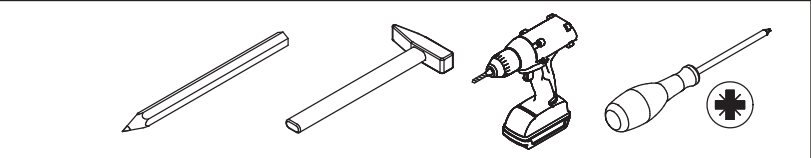
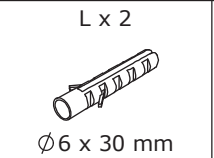
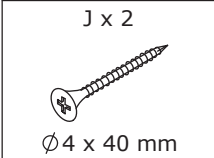
25

D x 8  Ø5 x 25 mm	
--	---



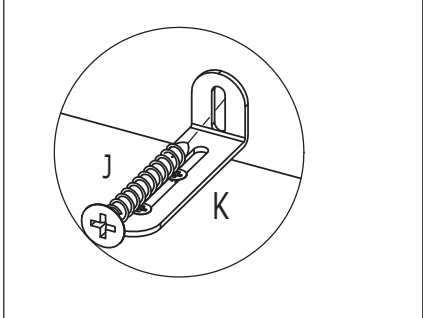
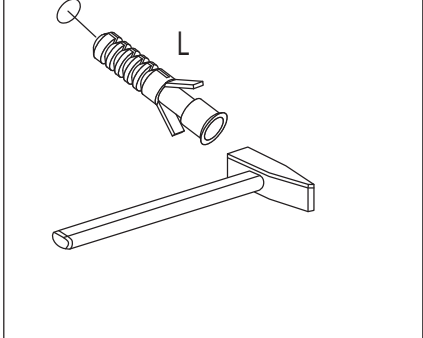
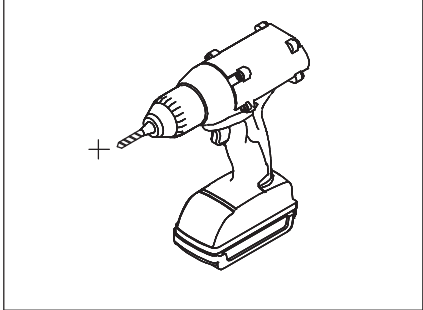
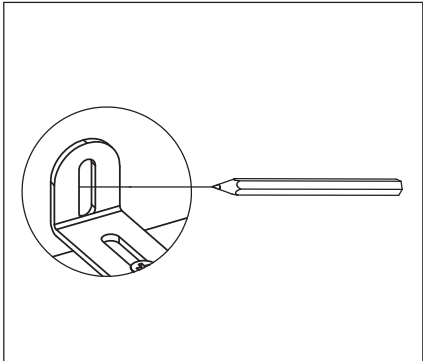
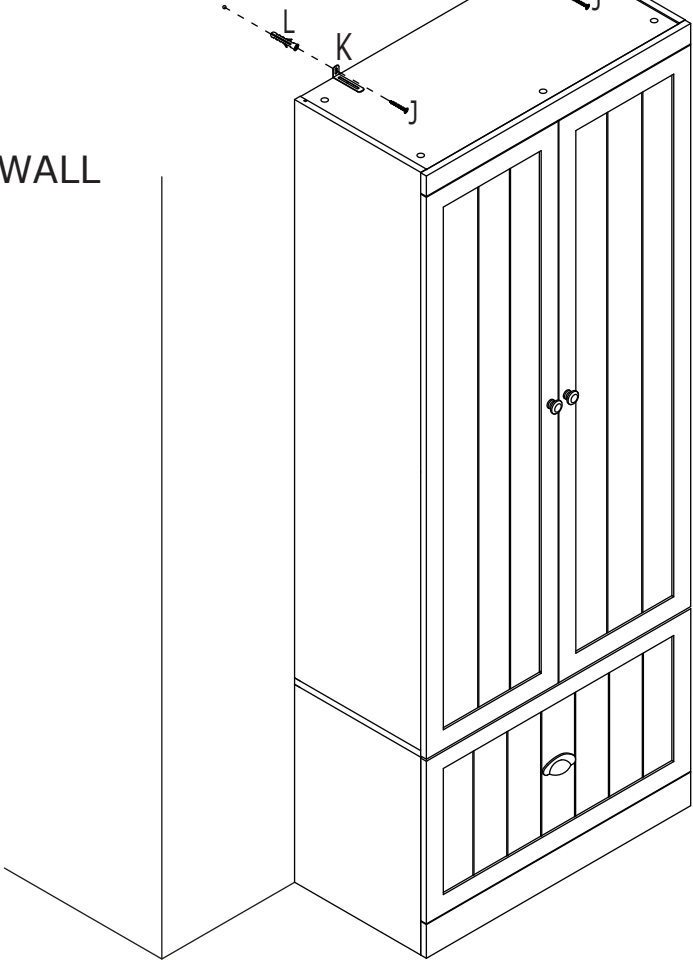
Insert part(D) into side plate and place shelf 5 in.

26



Drill holes on your wall, knock into part(L).  
Fix the unit to wall using screw(J) as shown.

WALL



# WARRANTY

## WARRANTY CLAIMS

- There is a 30-day warranty for broken furniture or any other problems that do not work properly. The warranty will start from the date of purchase which must be verified by proof of purchase.
- Before making a claim, we may be able to answer your query, simply call us. Please leave your purchase order number, along with some details of the problem, if you want a replacement part. We will arrange within 48 hours. If there is out of stock, we will reply with a shipping date.
- The product must be used in accordance with the instructions provided. For health reasons.
- For other reasons, if the furniture needs to be returned, it must be cleaned and dried and operated within 30 days of receipt.

## Type of Warranty Claim

- Failure to follow the furniture instructions will invalidate the warranty. Attention please.
- Does not include damage during installation, but includes damage during transportation.

## Scope of responsibility

- Shall not bear any responsibility for misuse or user damage and / or loss of parts during the installation of furniture.
- After using, the damage and scratches of the furniture are not covered by the warranty.

## The Warranty Relates to All Bought in The Us and Covers The Following Areas

- Sheet parts: 1 month from the date of purchase.
- Electrical parts: 1 month from the date of purchase.