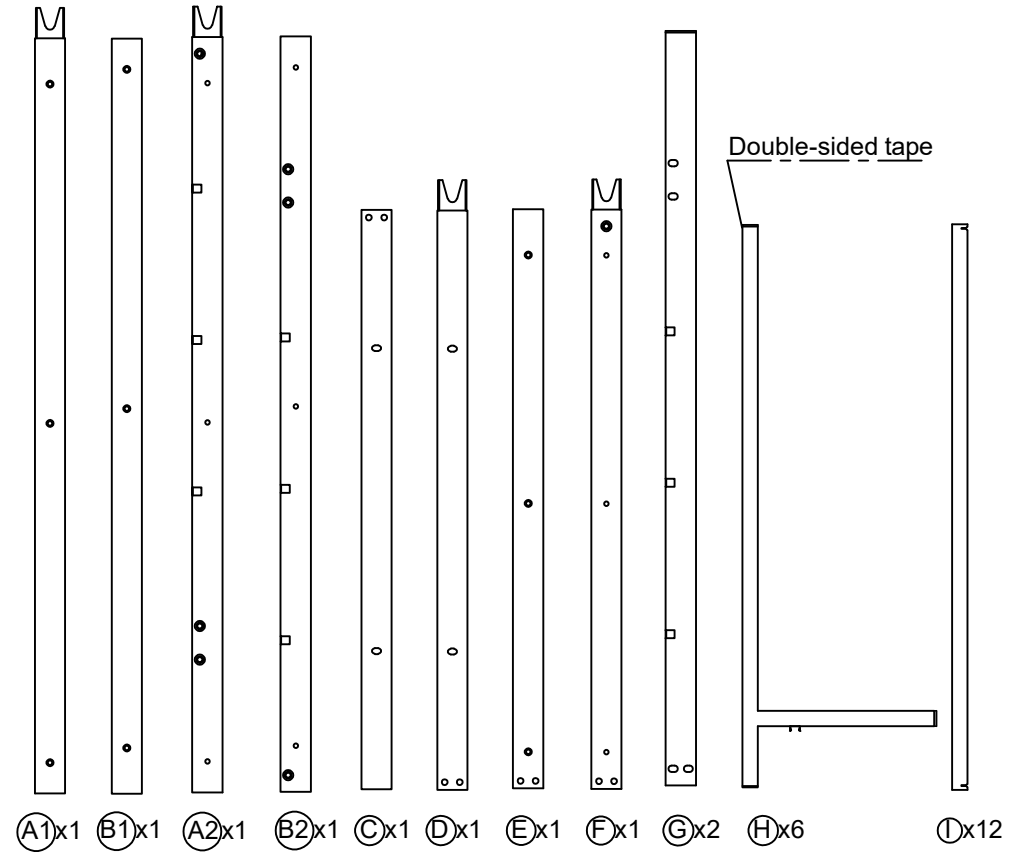
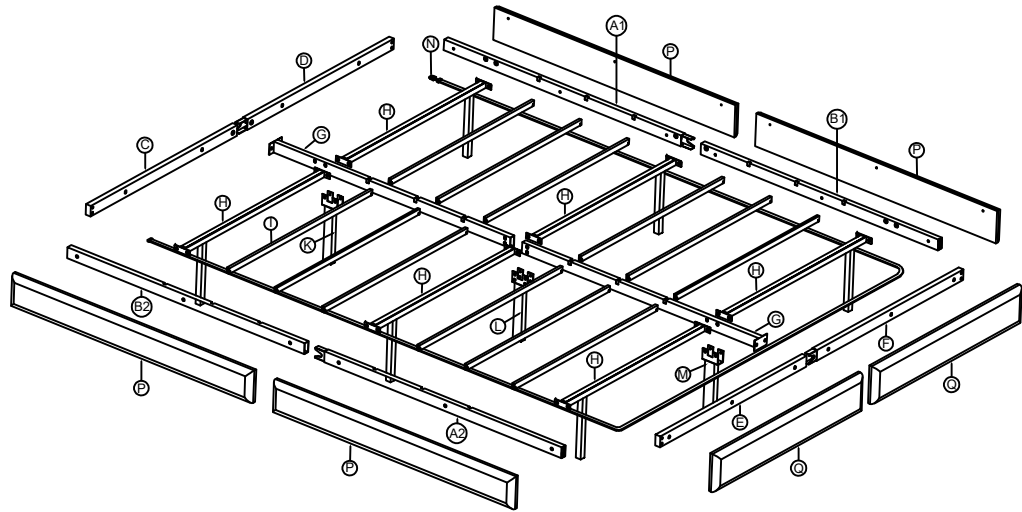


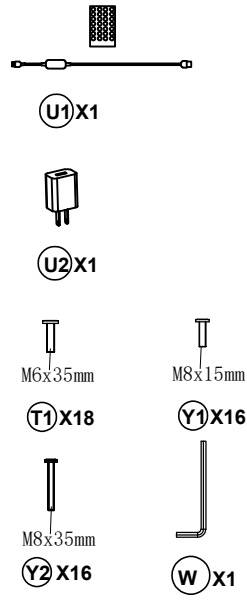
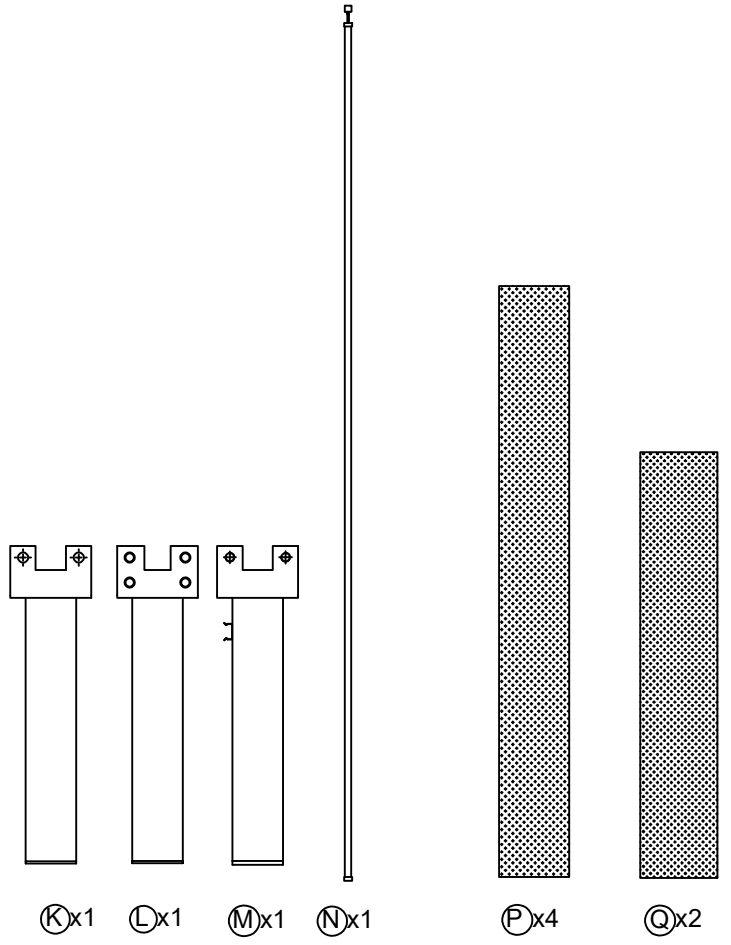
Model: C236-KE-FH, C236-QE-FH, C236-FE-FH

PRODUCT GUIDE AND INSTALLATION MANUAL

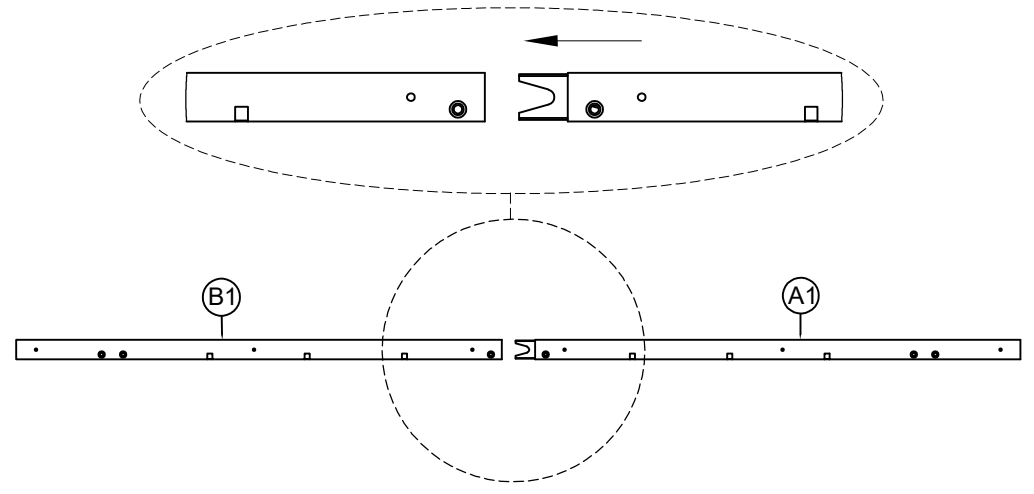
Parts List:



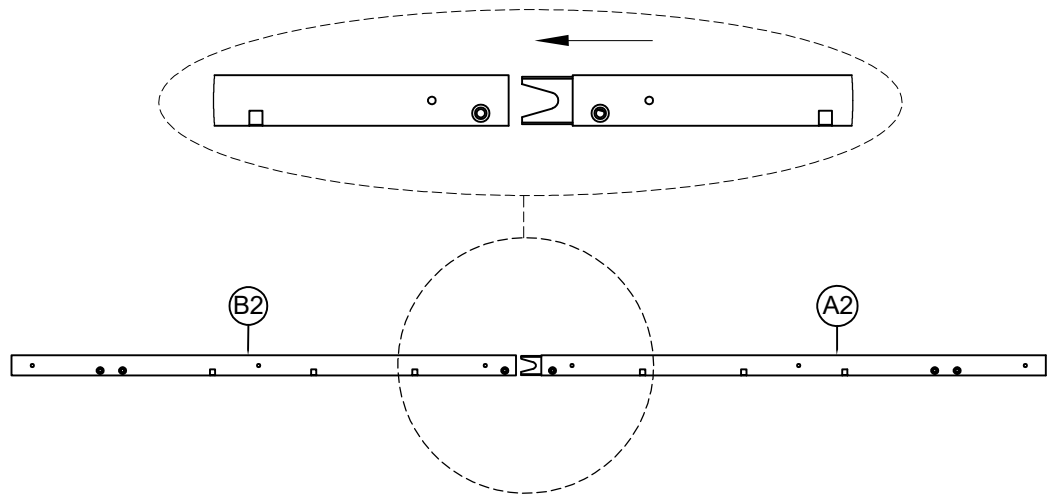
Parts List:



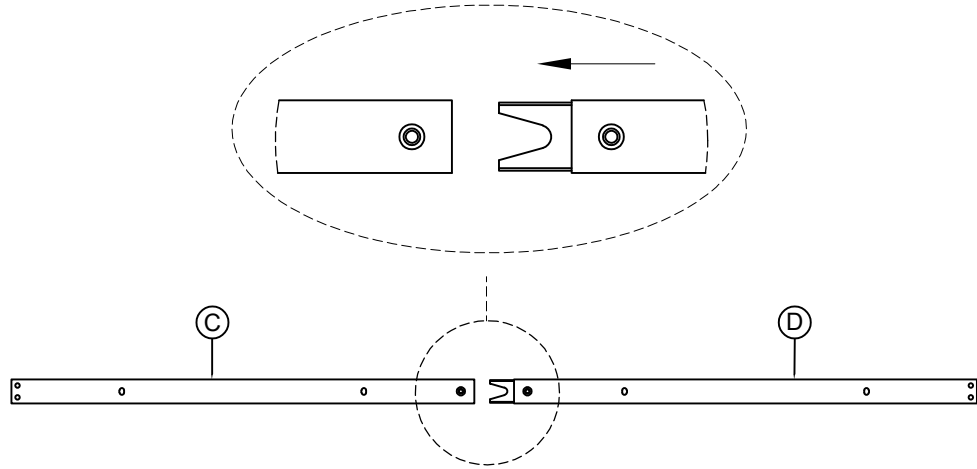
Step 1



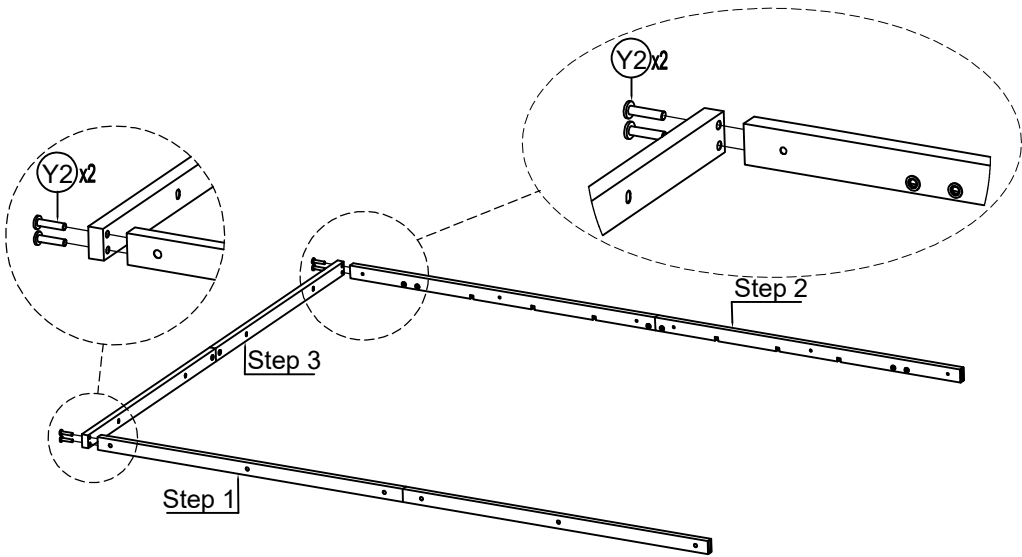
Step 2



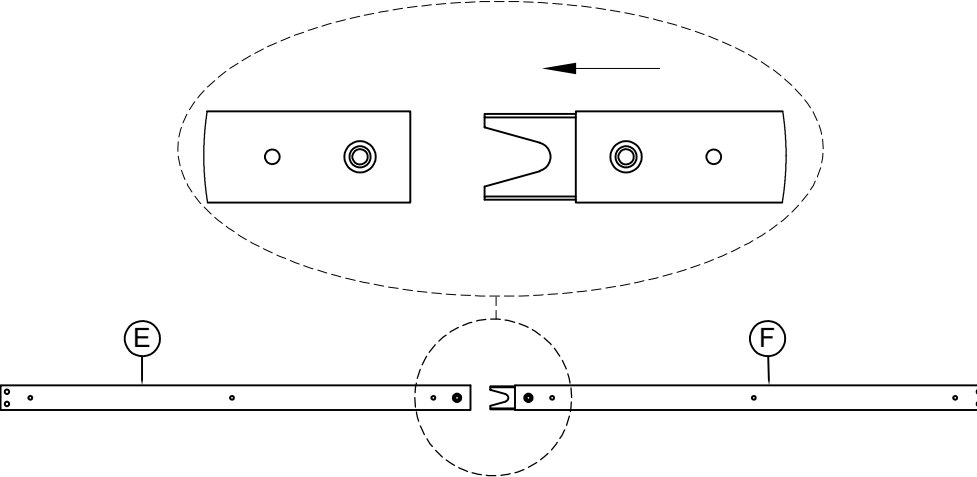
Step 3



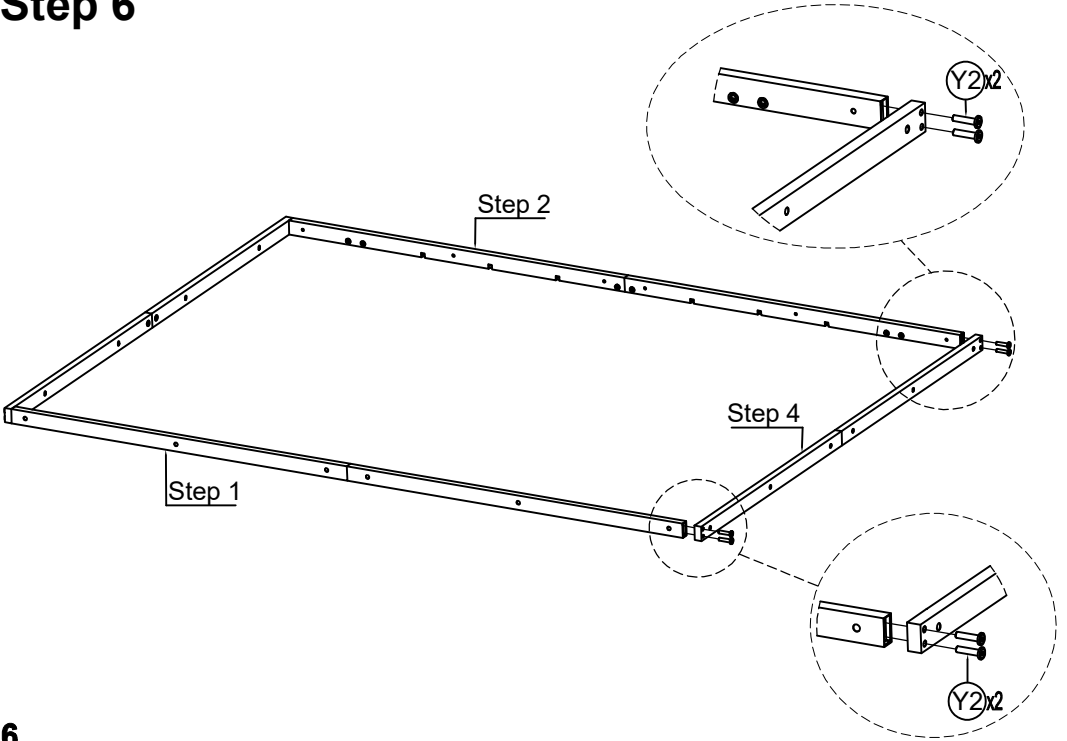
Step 5



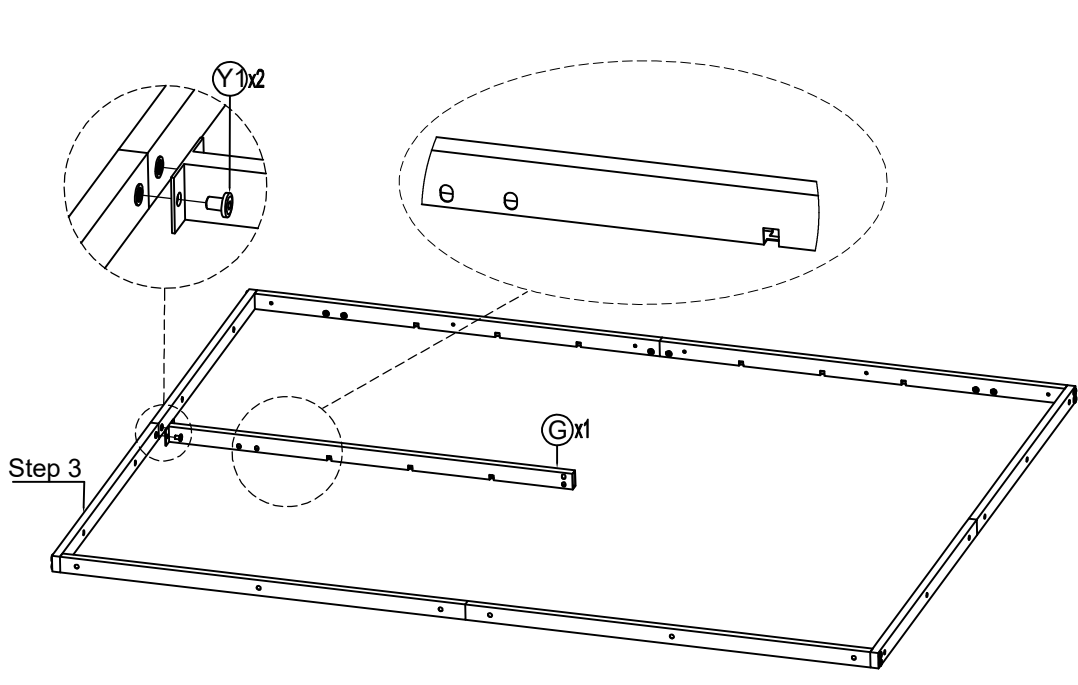
Step 4



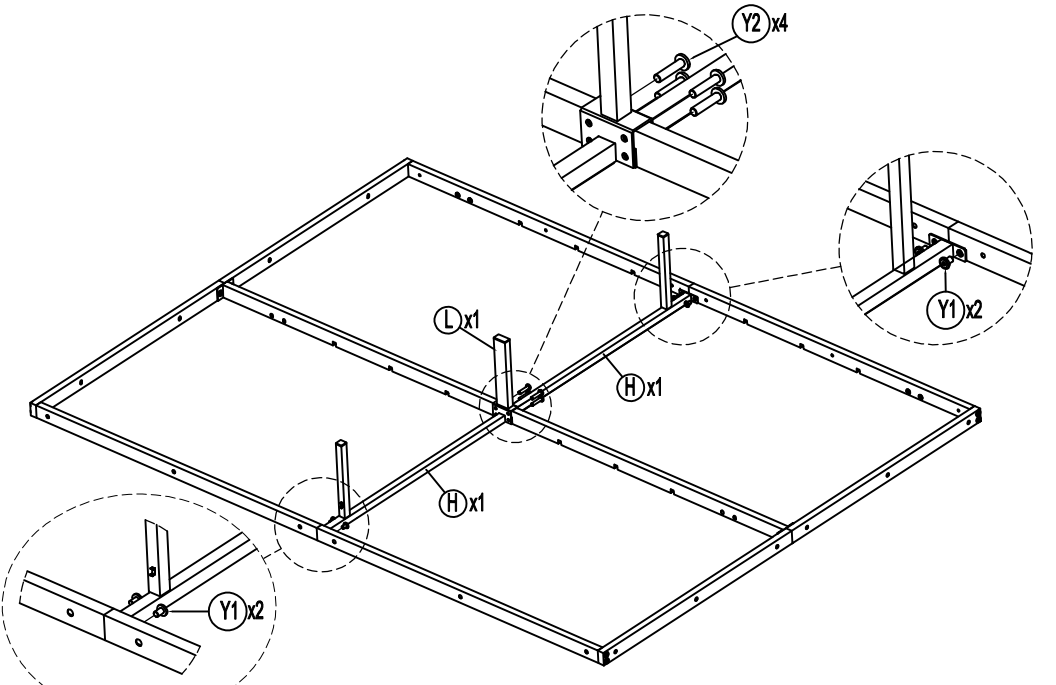
Step 6



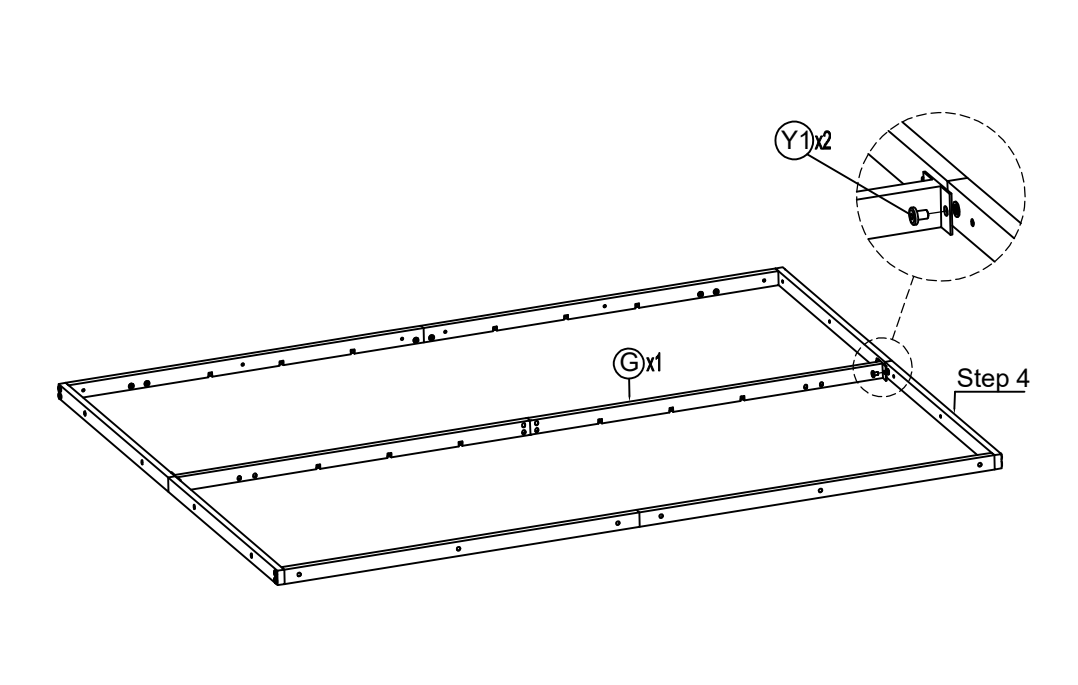
Step 7



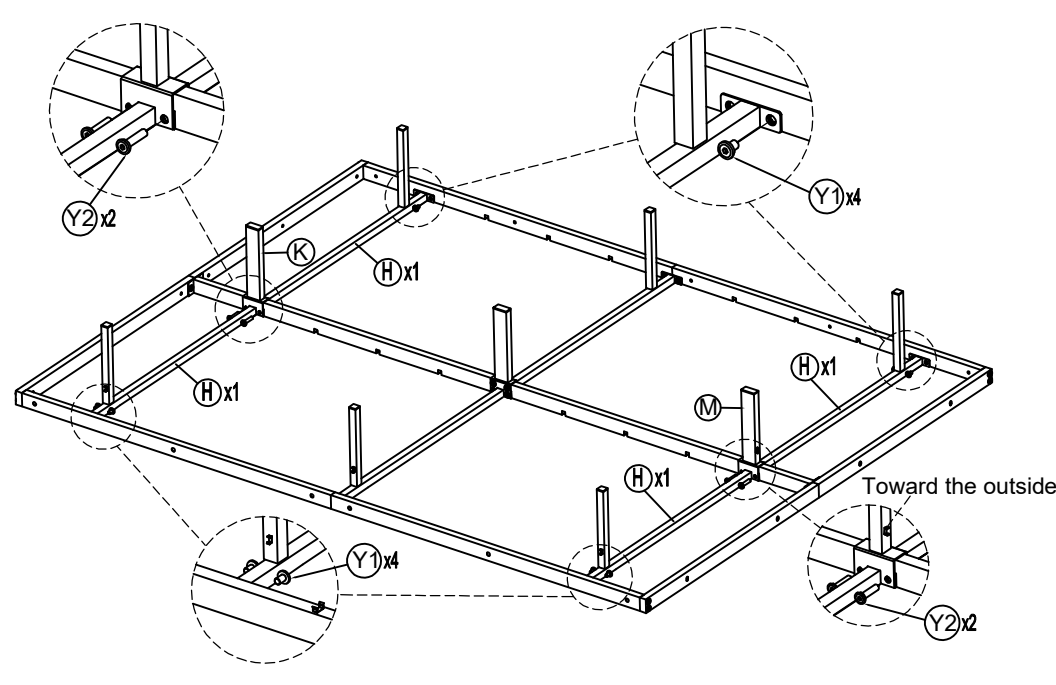
Step 9



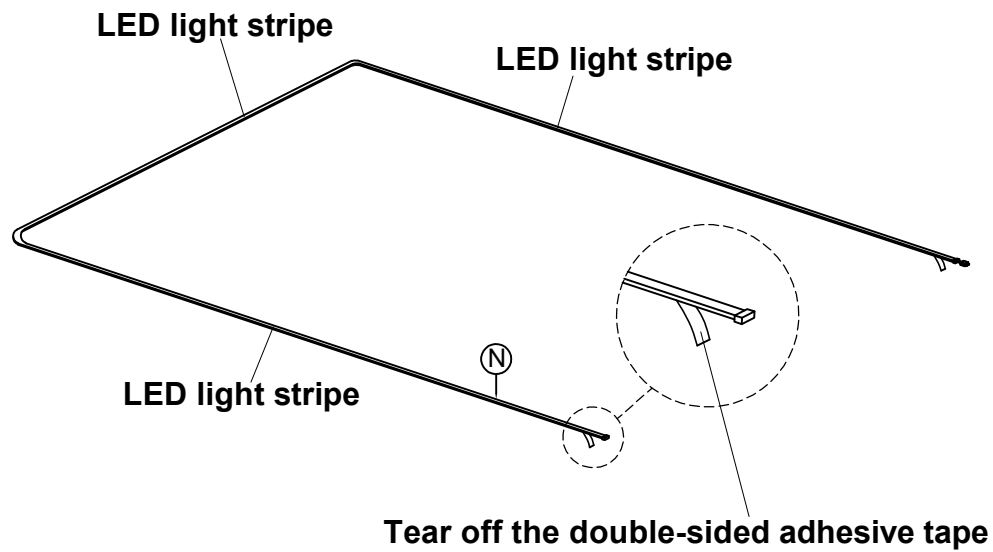
Step 8



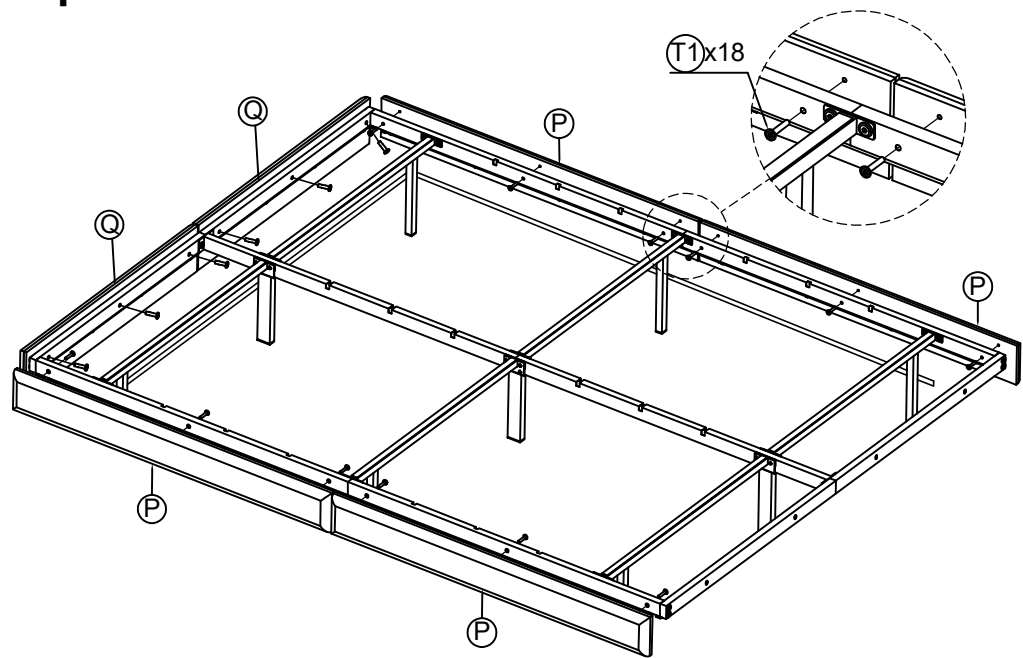
Step 10



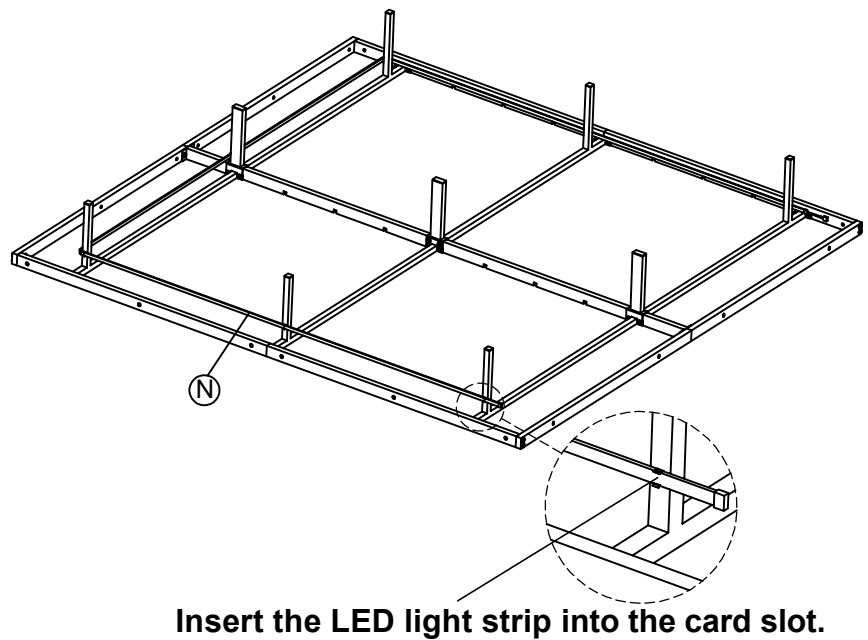
Step 11



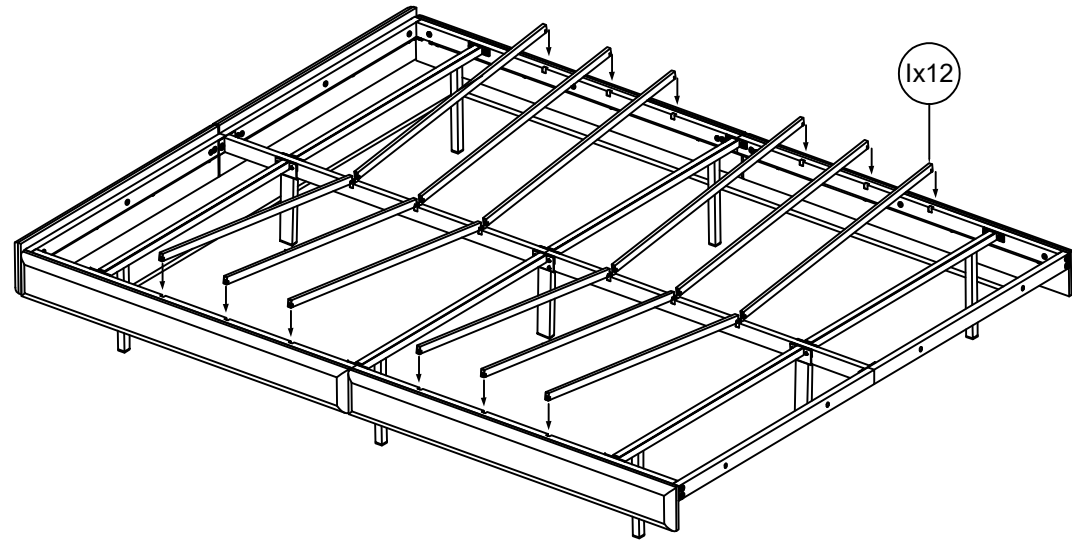
Step 13



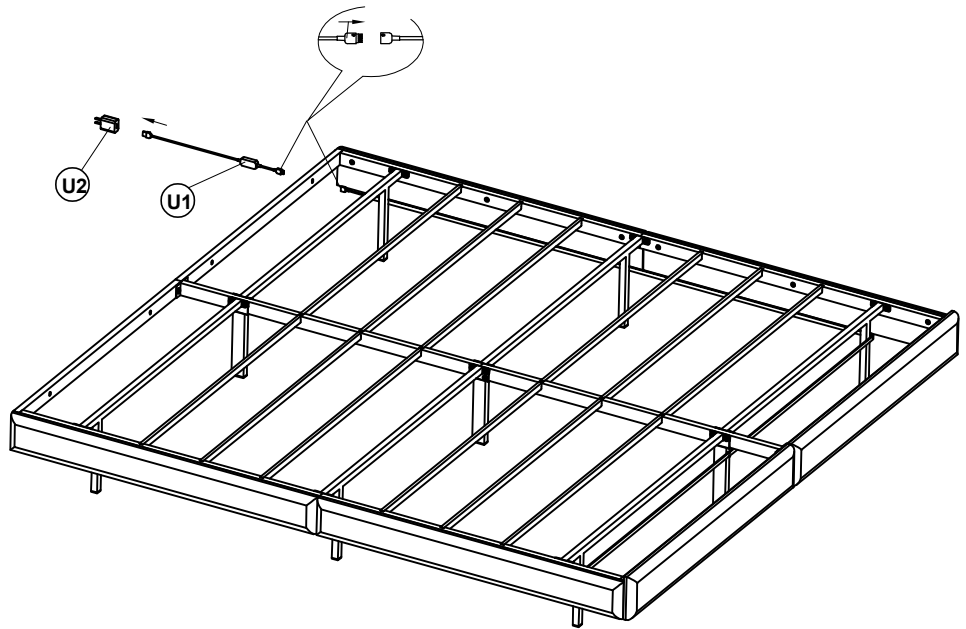
Step 12



Step 14

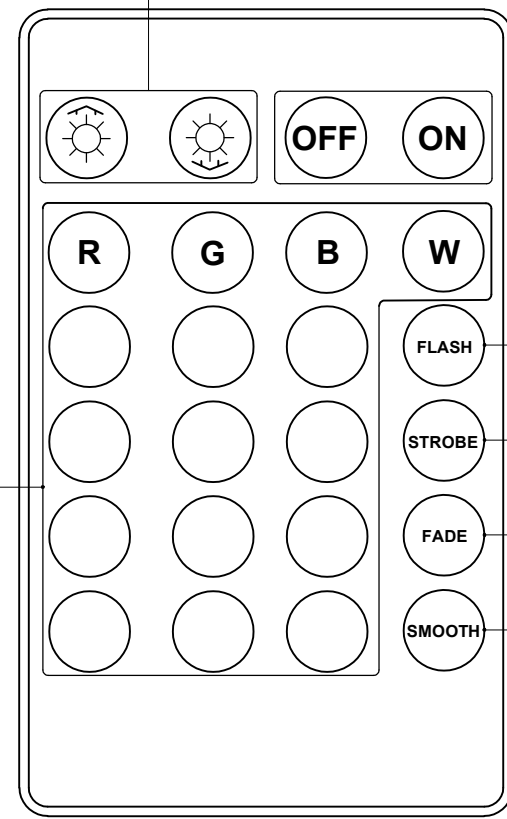


Step 15



REMOTE CONTROLLER

Bright/Speed +/-



Three color jump change

Seven color jump change

Three color gradient change

Seven color gradient change