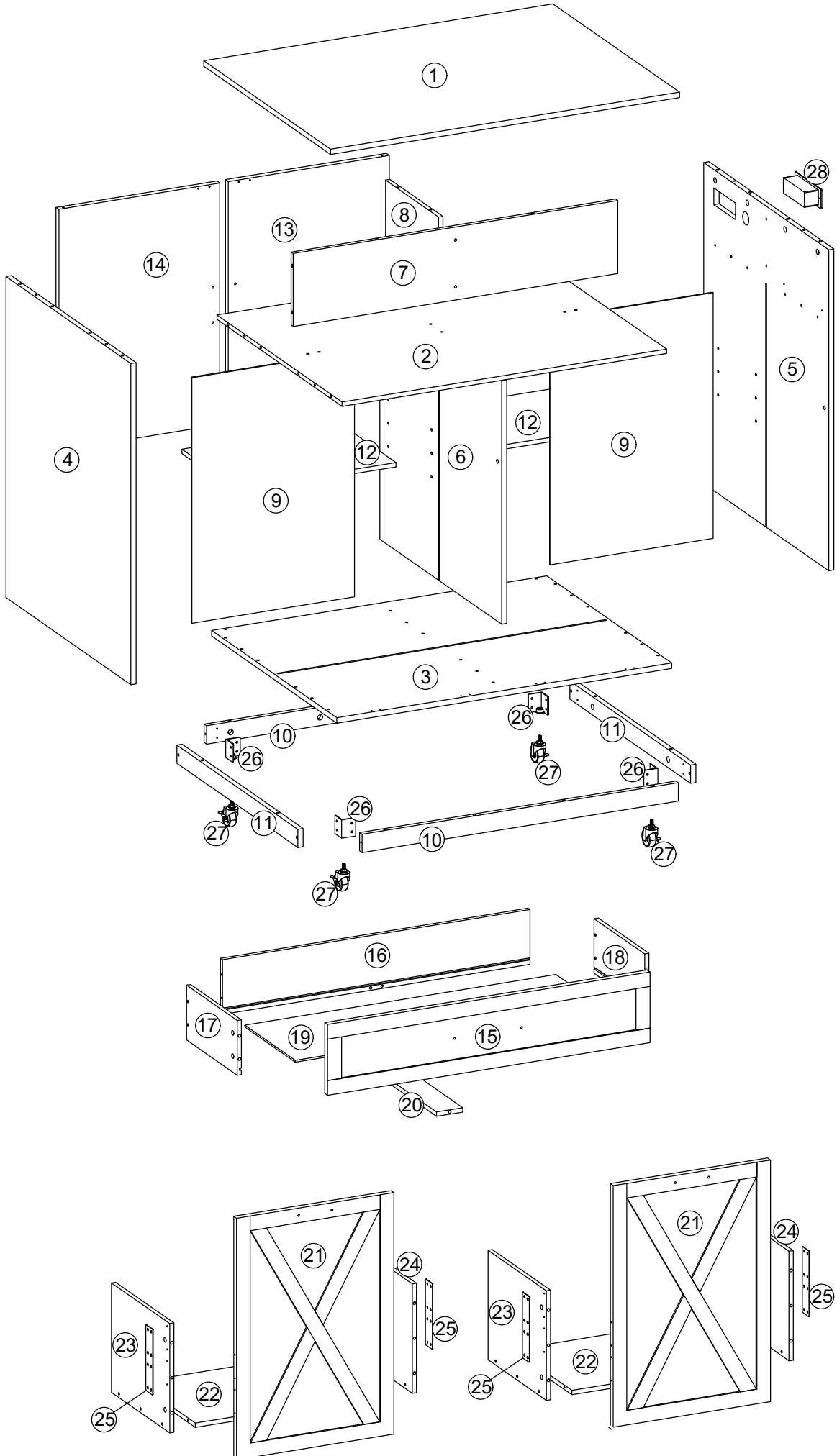
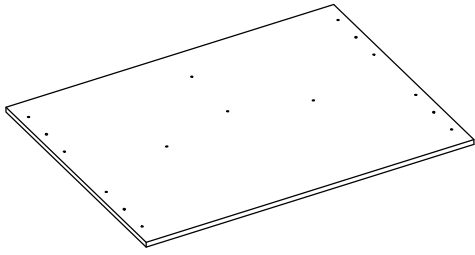


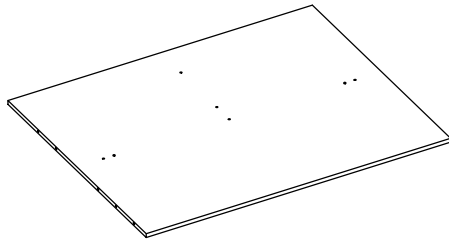
"IMPORTANT, RETAIN FOR FUTURE REFERENCE: READ CAREFULLY"



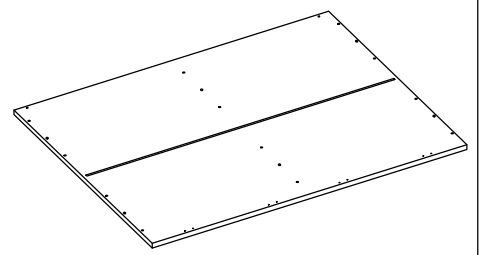
① x1



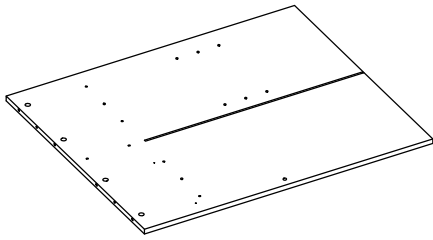
② x1



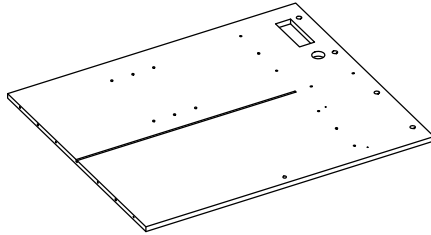
③ x1



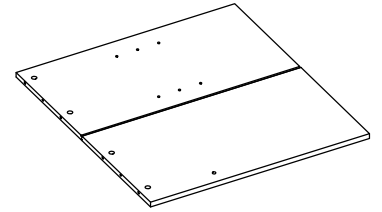
④ x1



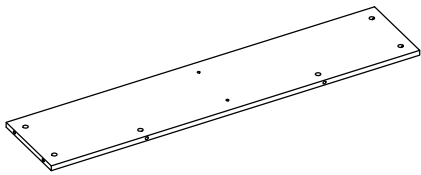
⑤ x1



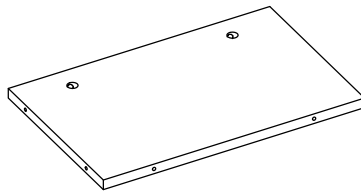
⑥ x1



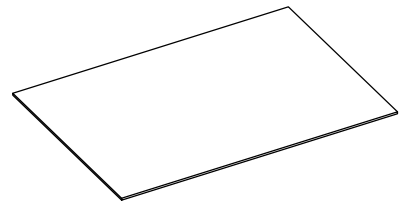
⑦ x1



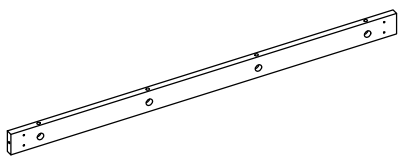
⑧ x1



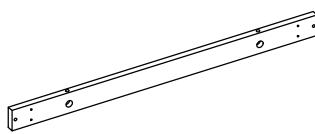
⑨ x2



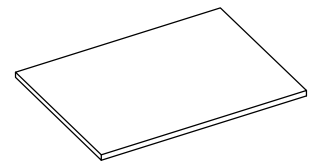
⑩ x2



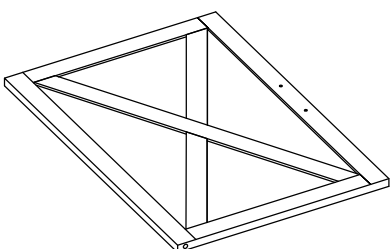
⑪ x2



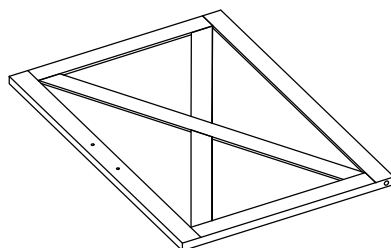
⑫ x2



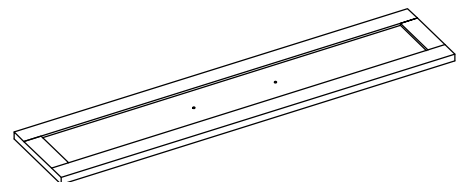
⑬ x1



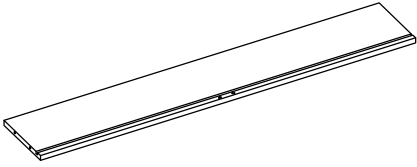
⑭ x1



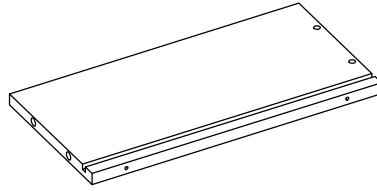
⑮ x1



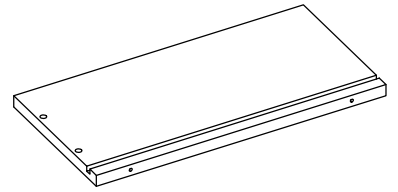
16 x1



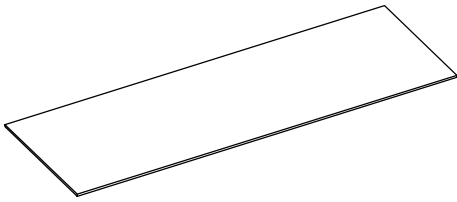
17 x1



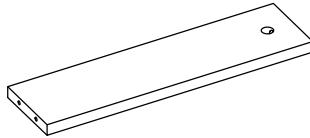
18 x1



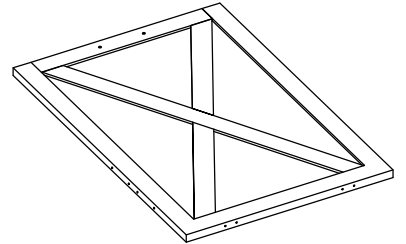
19 x1



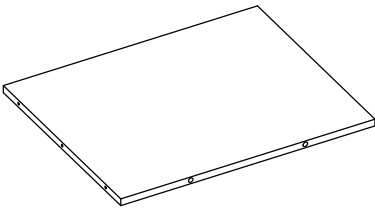
20 x1



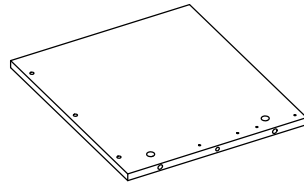
21 x2



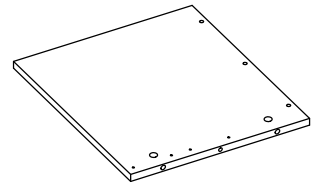
22 x2



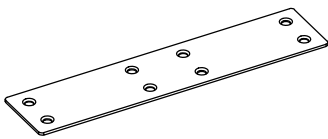
23 x2



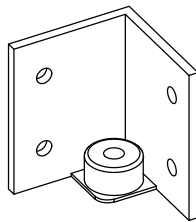
24 x2



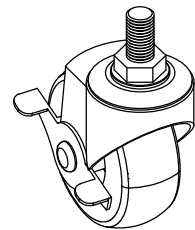
25 x4



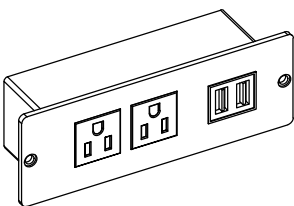
26 x4



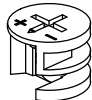

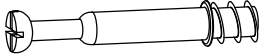
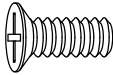
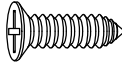
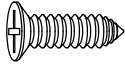
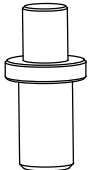
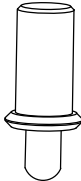
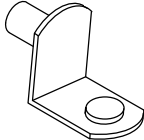
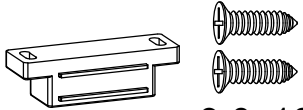
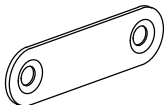
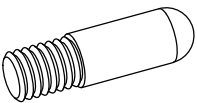
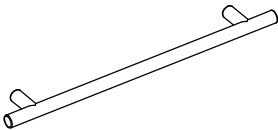
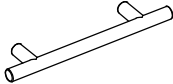

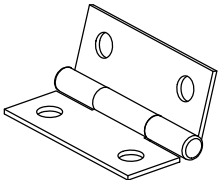
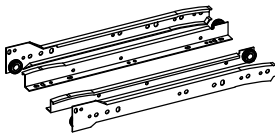



27 x4

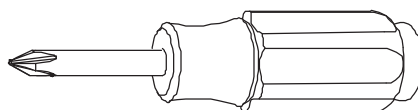
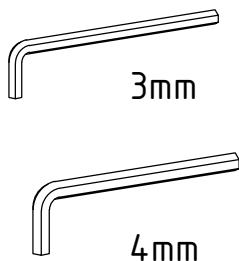


28 x1

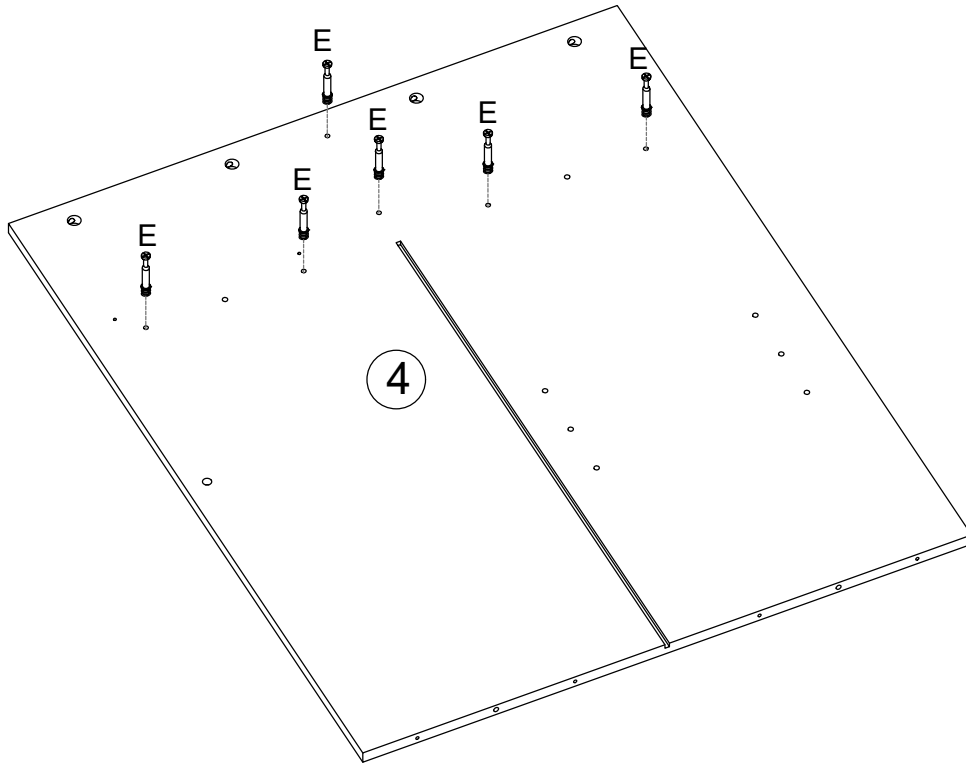




<p>A x 41+3</p>  <p>Ø5x40</p>	<p>B x 22+2</p>  <p>Ø6x35</p>	<p>C x 24+2</p>  <p>Ø15</p>	<p>D x 33+3</p>  <p>Ø12</p>
<p>E x 57+3</p>  <p>Ø6x35</p>	<p>F x 2</p>  <p>M4x10</p>	<p>G x 16+1</p>  <p>3.5x12</p>	<p>H x 60+3</p>  <p>3.0x12</p>
<p>I x 2+1</p> 	<p>J x 2+1</p> 	<p>K x 8+1</p> 	<p>L x 2</p>  <p>3.0x16</p>
<p>M x 2</p> 	<p>N x 4+1</p> 	<p>O x 1</p> 	<p>P x 4</p> 
<p>Q x 8+1</p>  <p>M4x25</p>	<p>R x 4</p> 	<p>S x 1</p>  <p>300mm</p>	<p>T x 2</p>  <p>M4x20</p>

TOOL

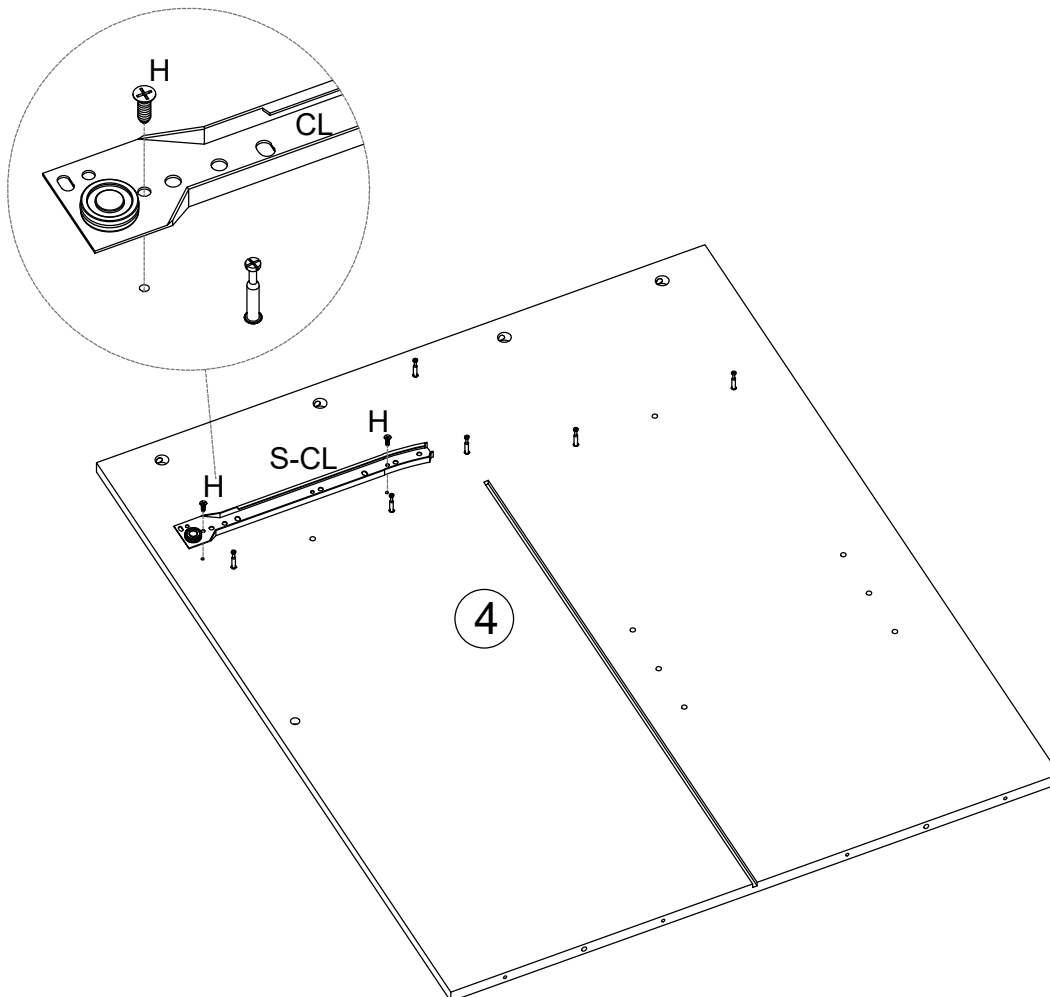





STEP 1



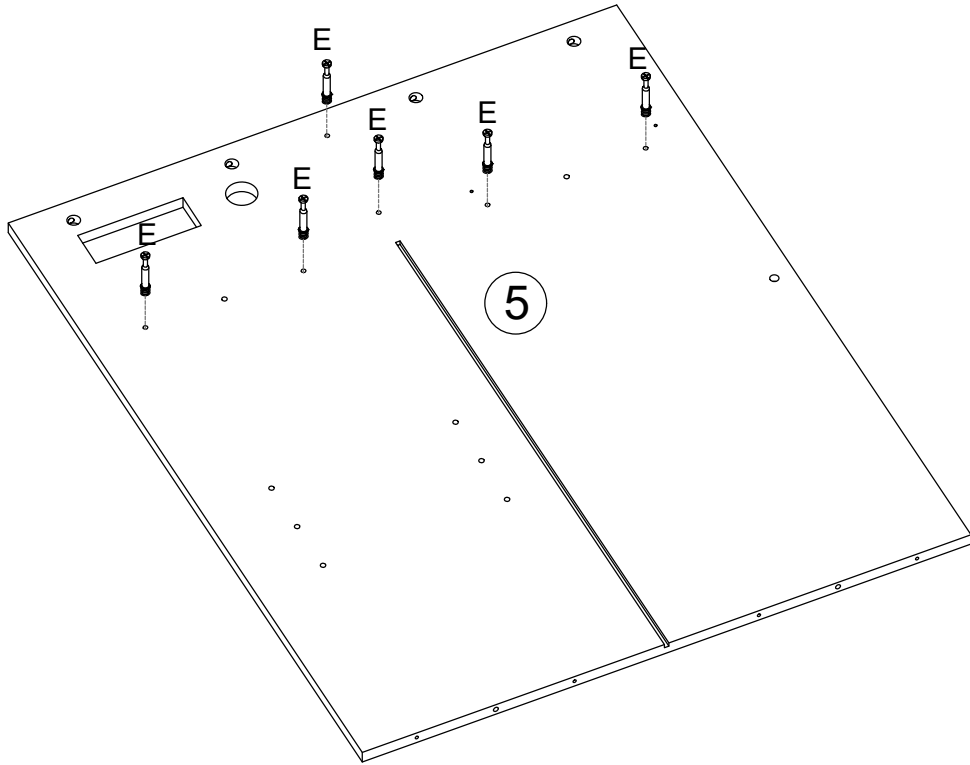

E  x6



STEP 2



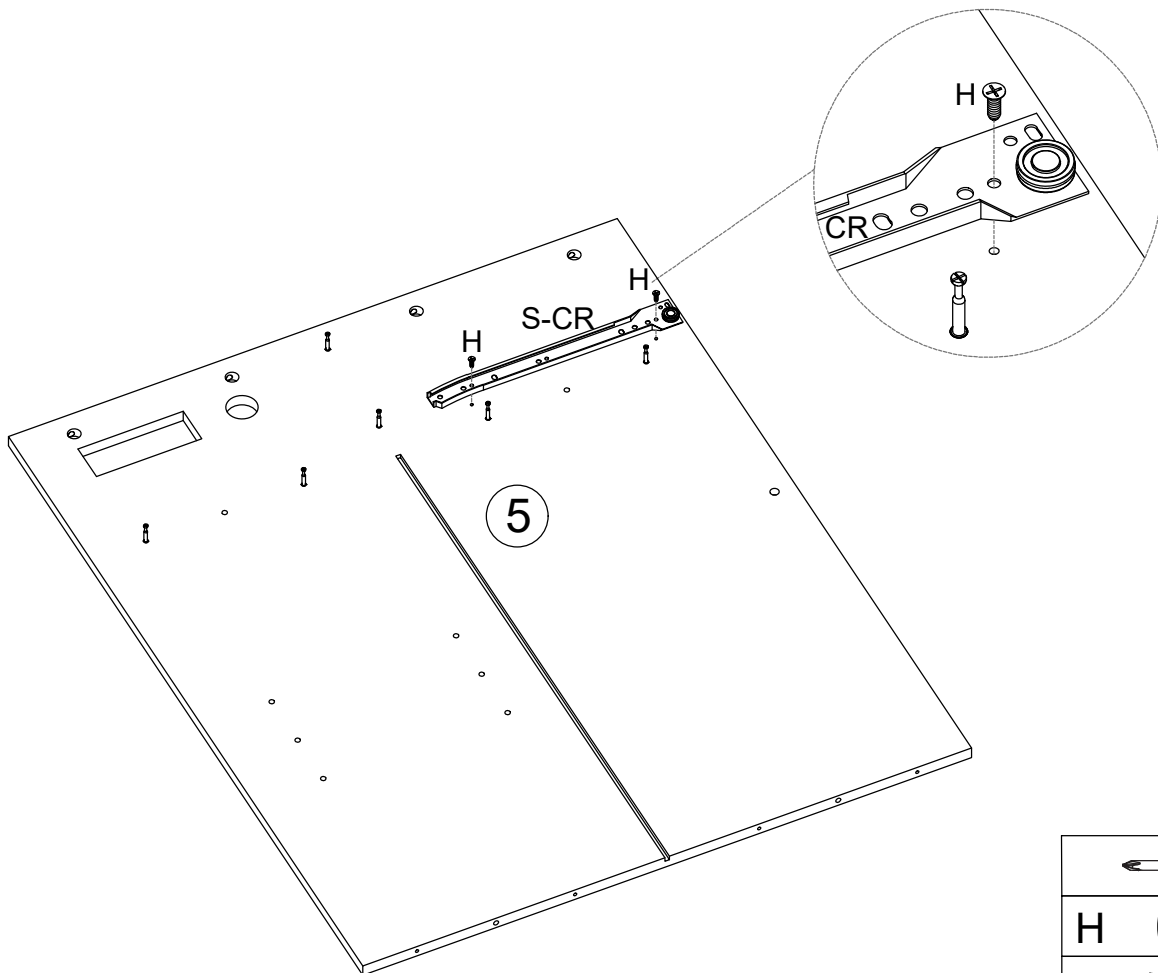

H  x2
S  x1


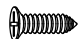

STEP 3



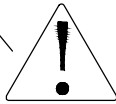
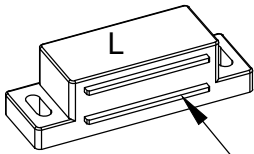
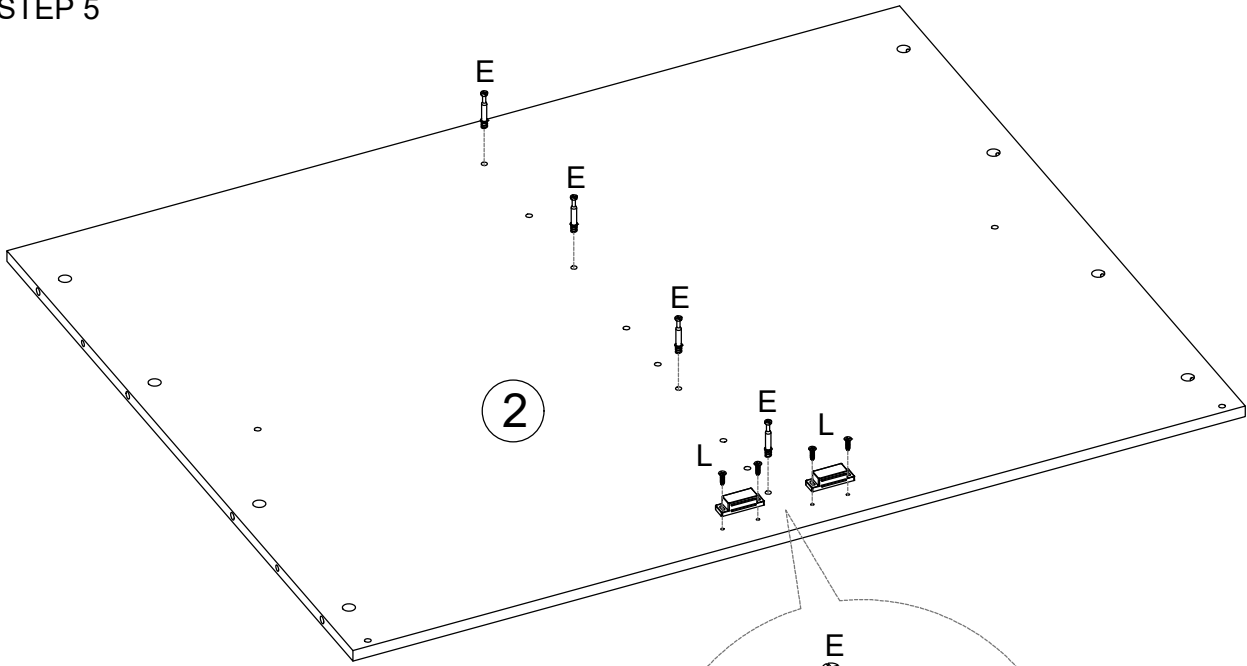

E  x6

STEP 4

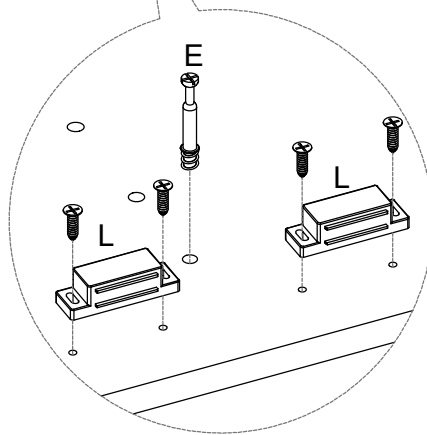






H  x2
S  x1

STEP 5

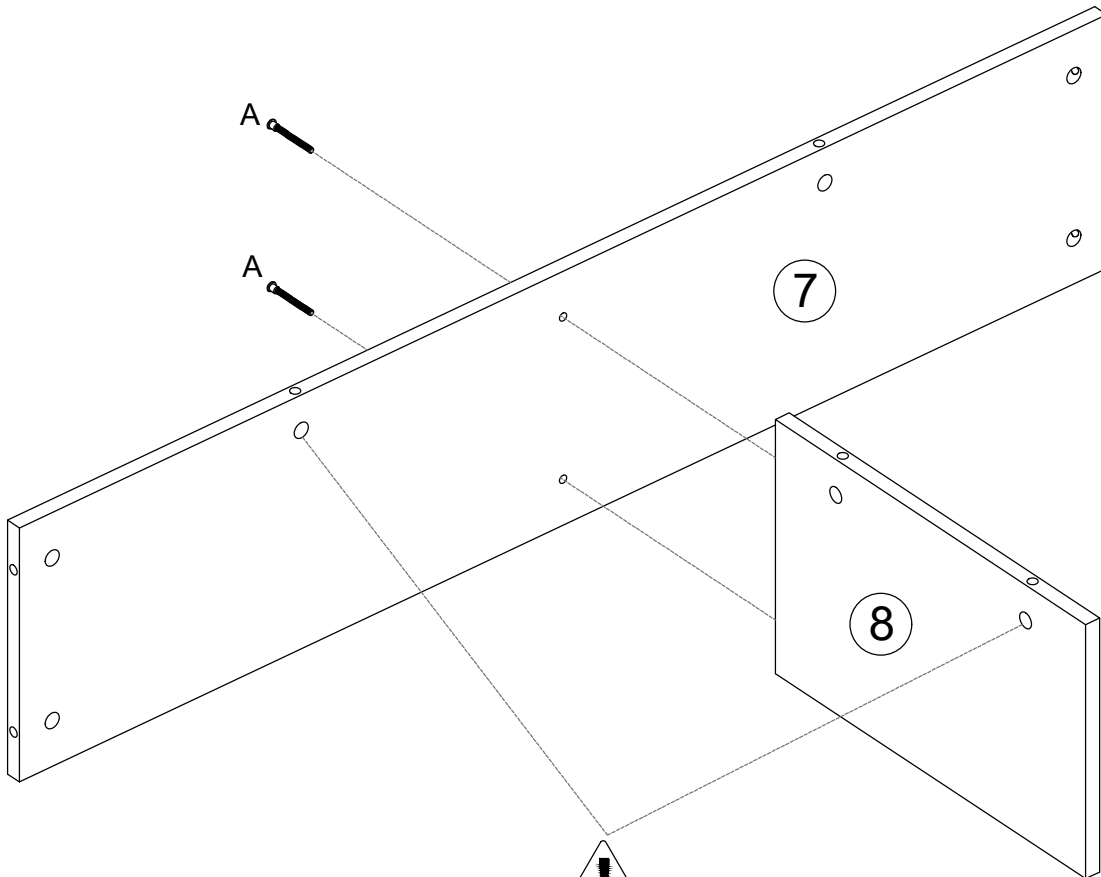


Pay attention to direction





		
E		x4
L		x2

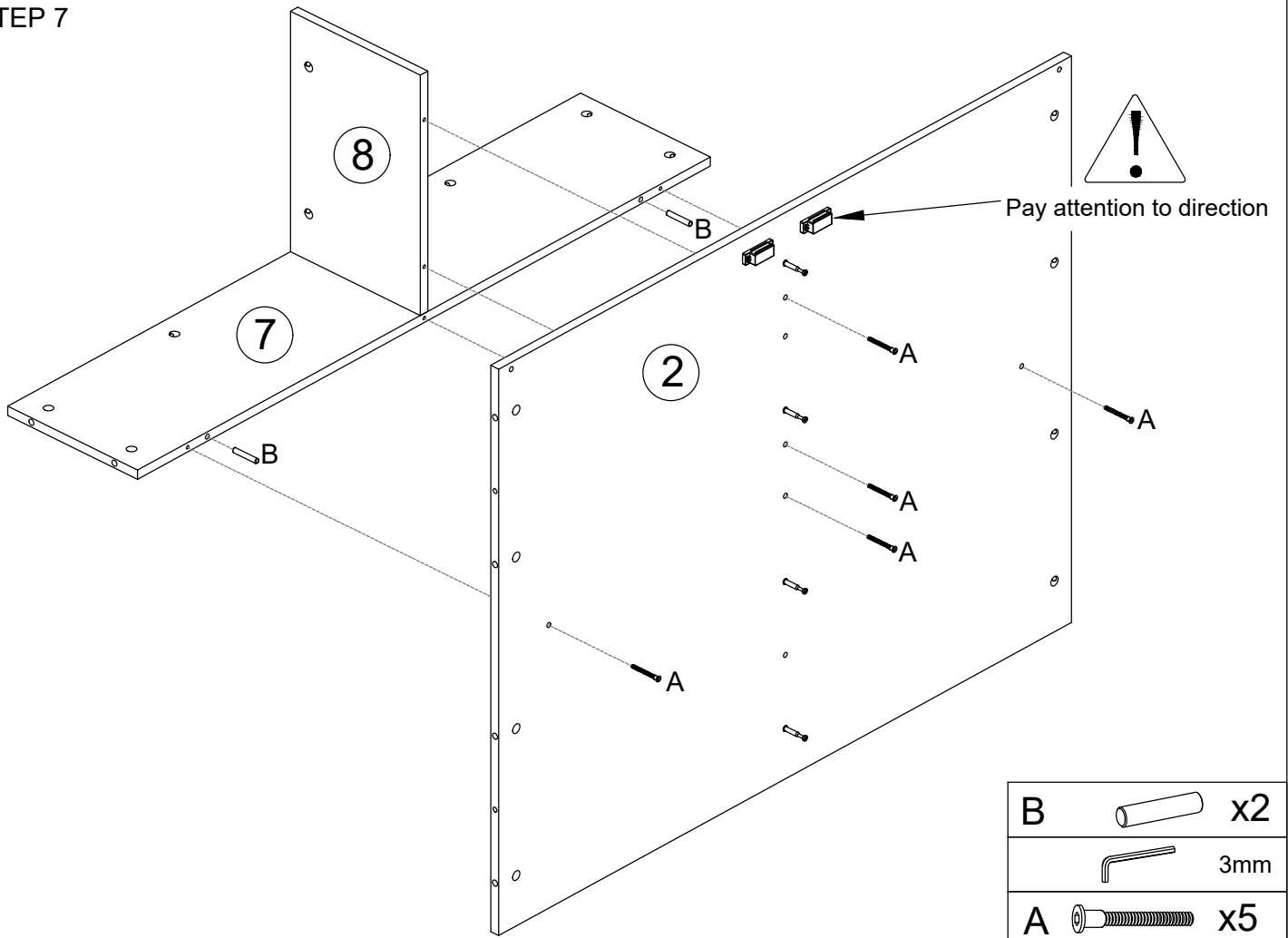
STEP 6



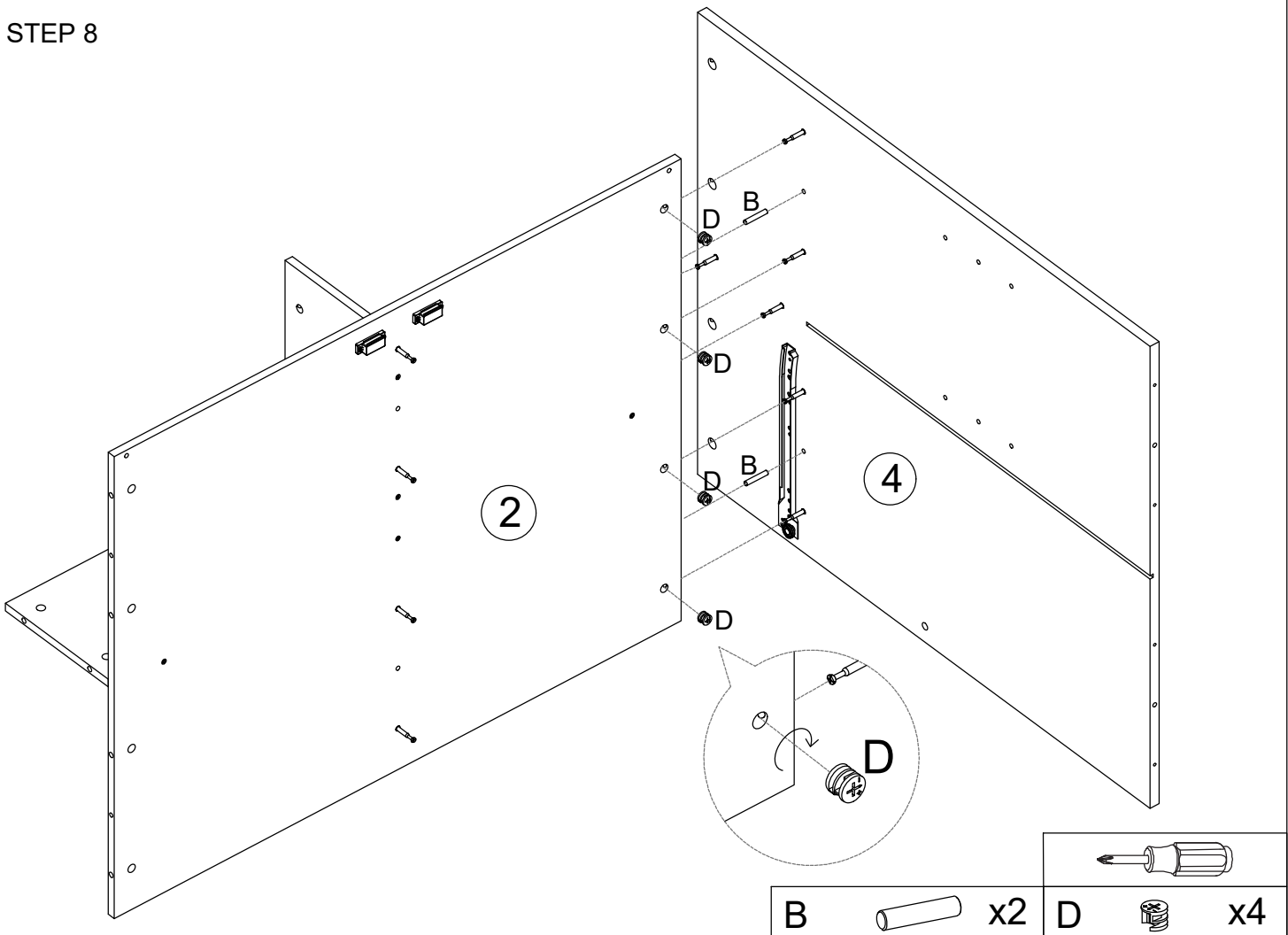
Pay attention to direction

	3mm	
A		x2

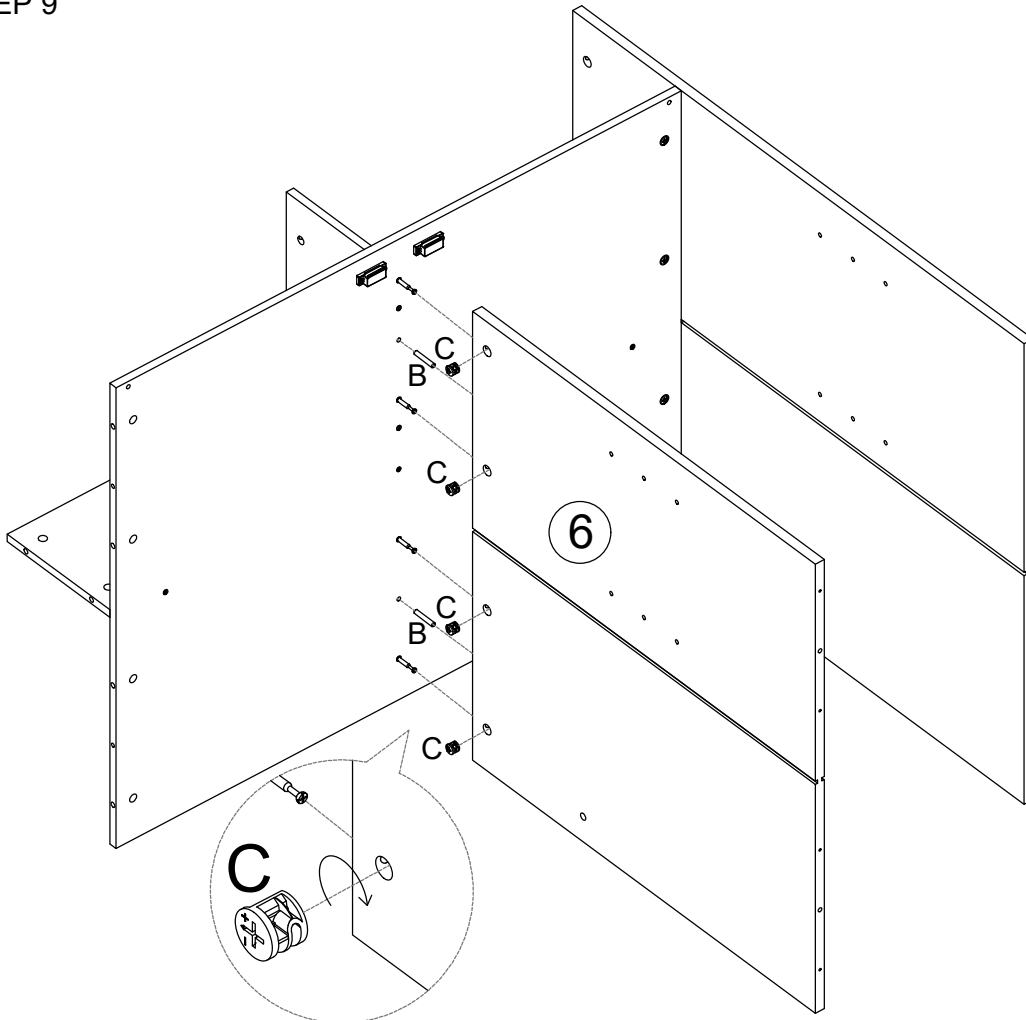
STEP 7



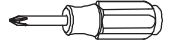
STEP 8



STEP 9

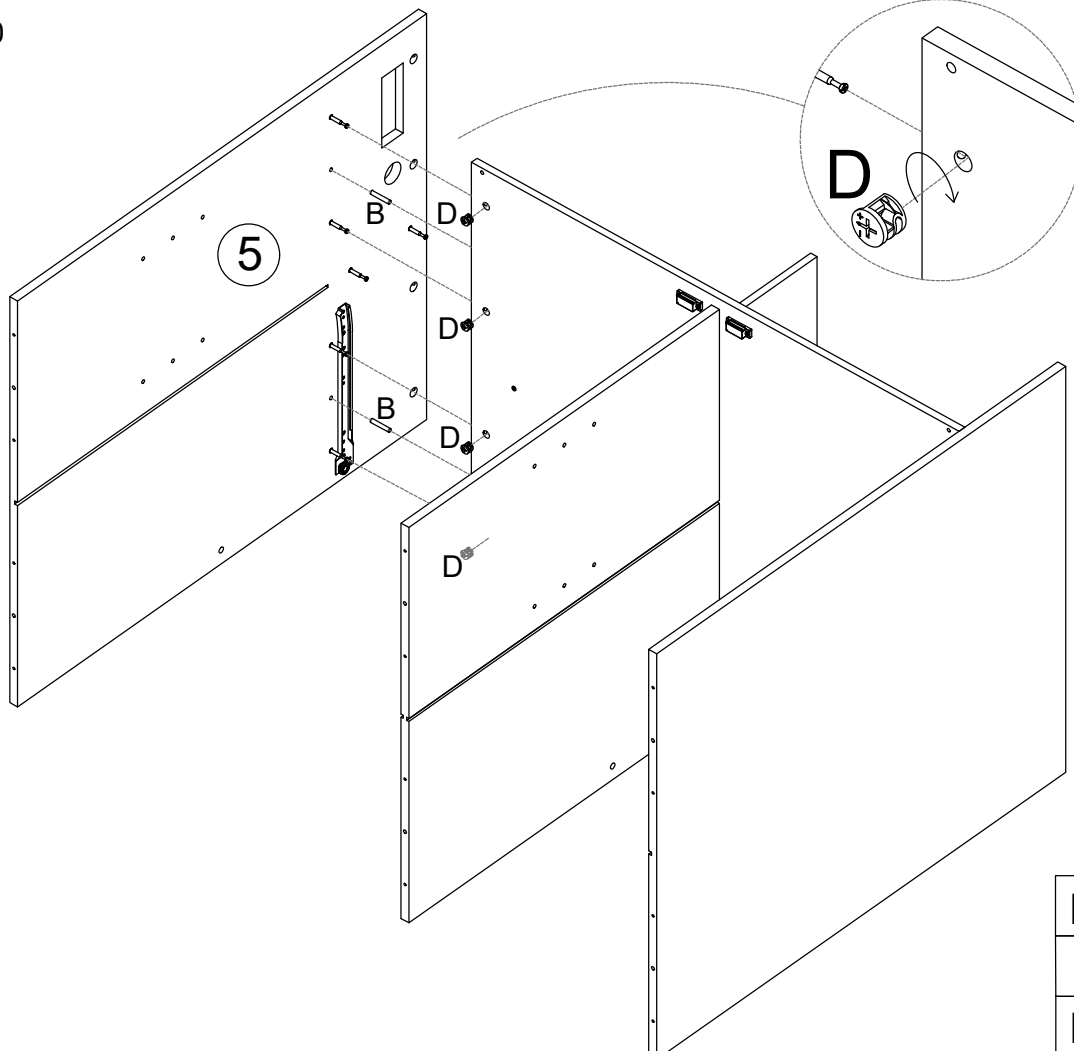


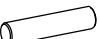
B  x2



C  x4

STEP 10

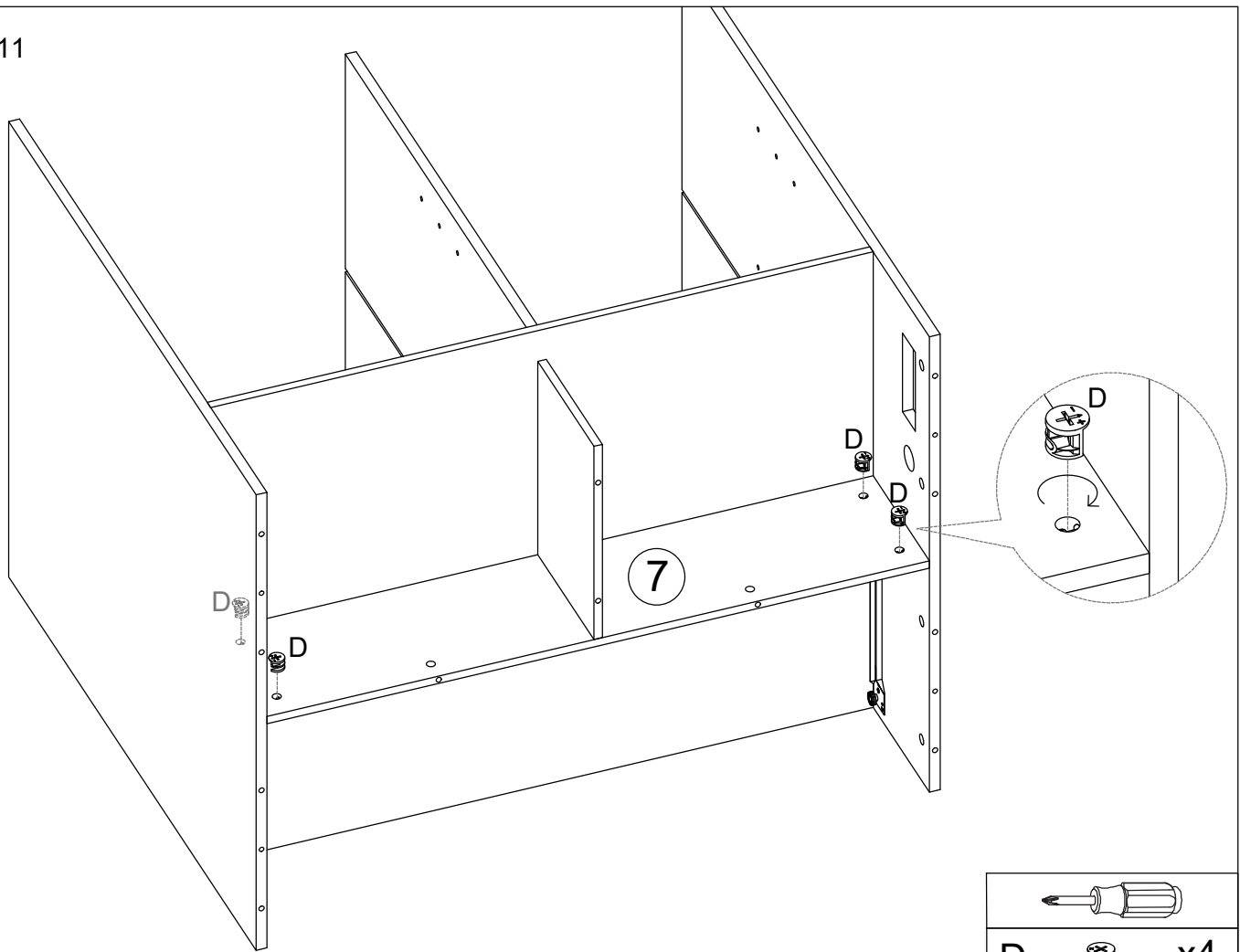




B  x2



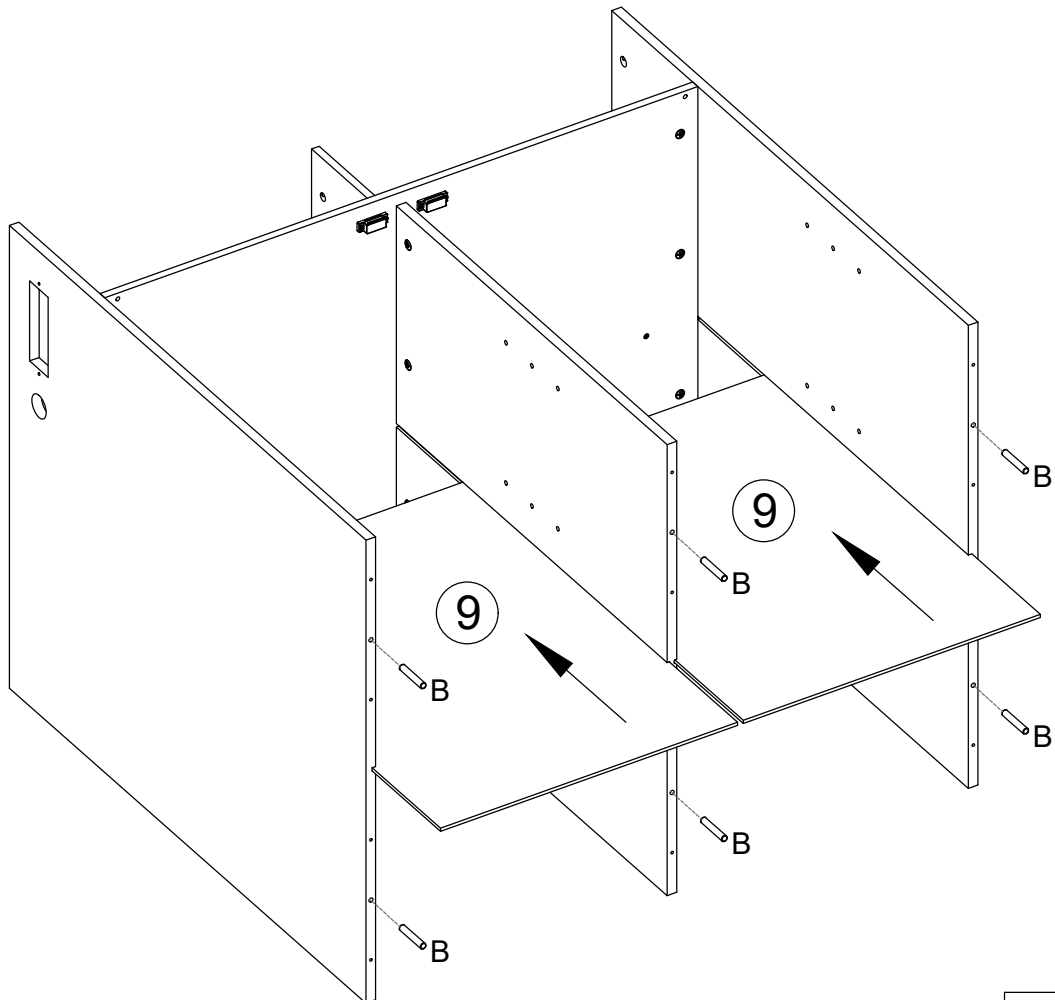
D  x4

STEP 11



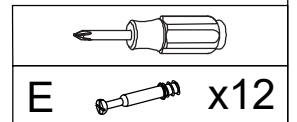
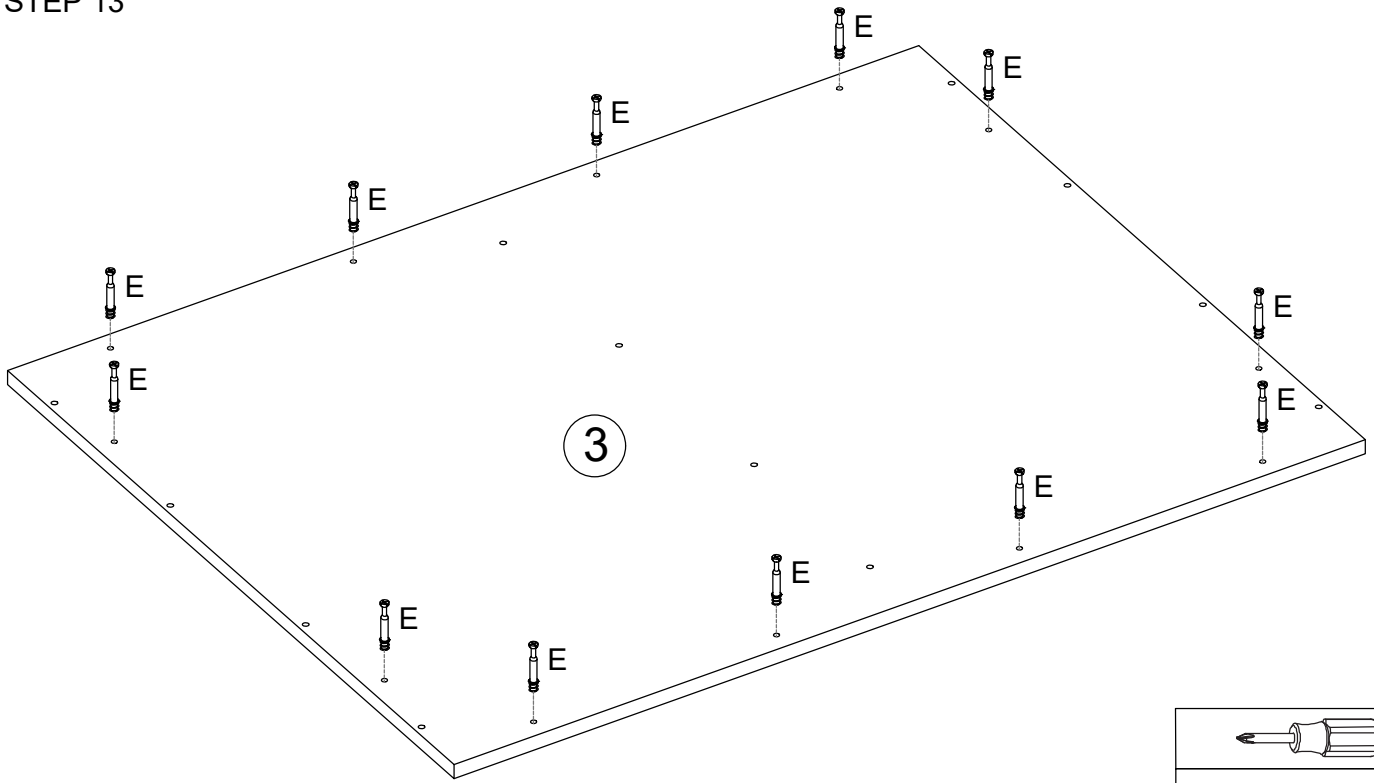

D  x4

STEP 12

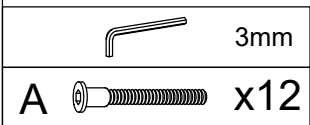
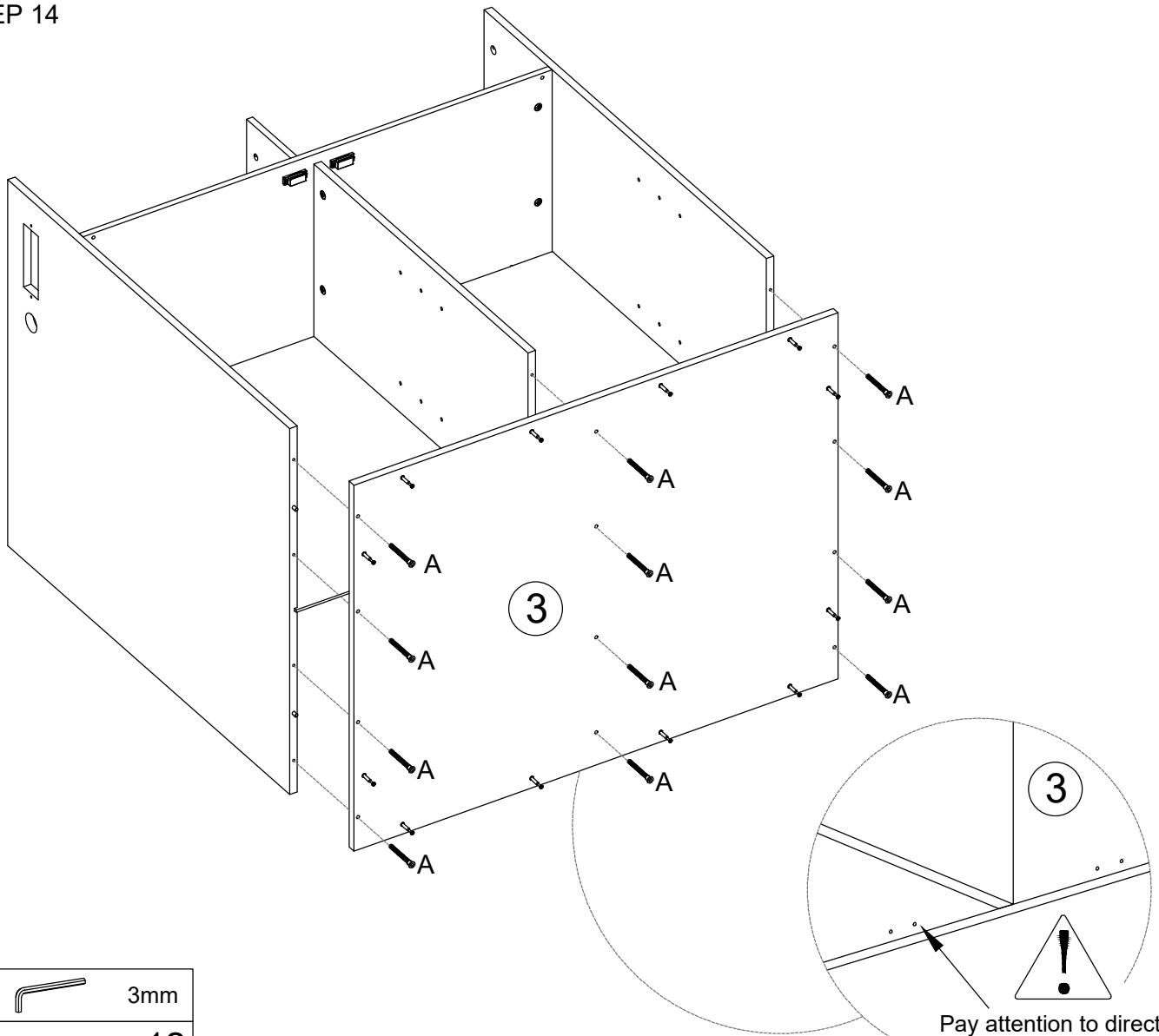


B  x6
--

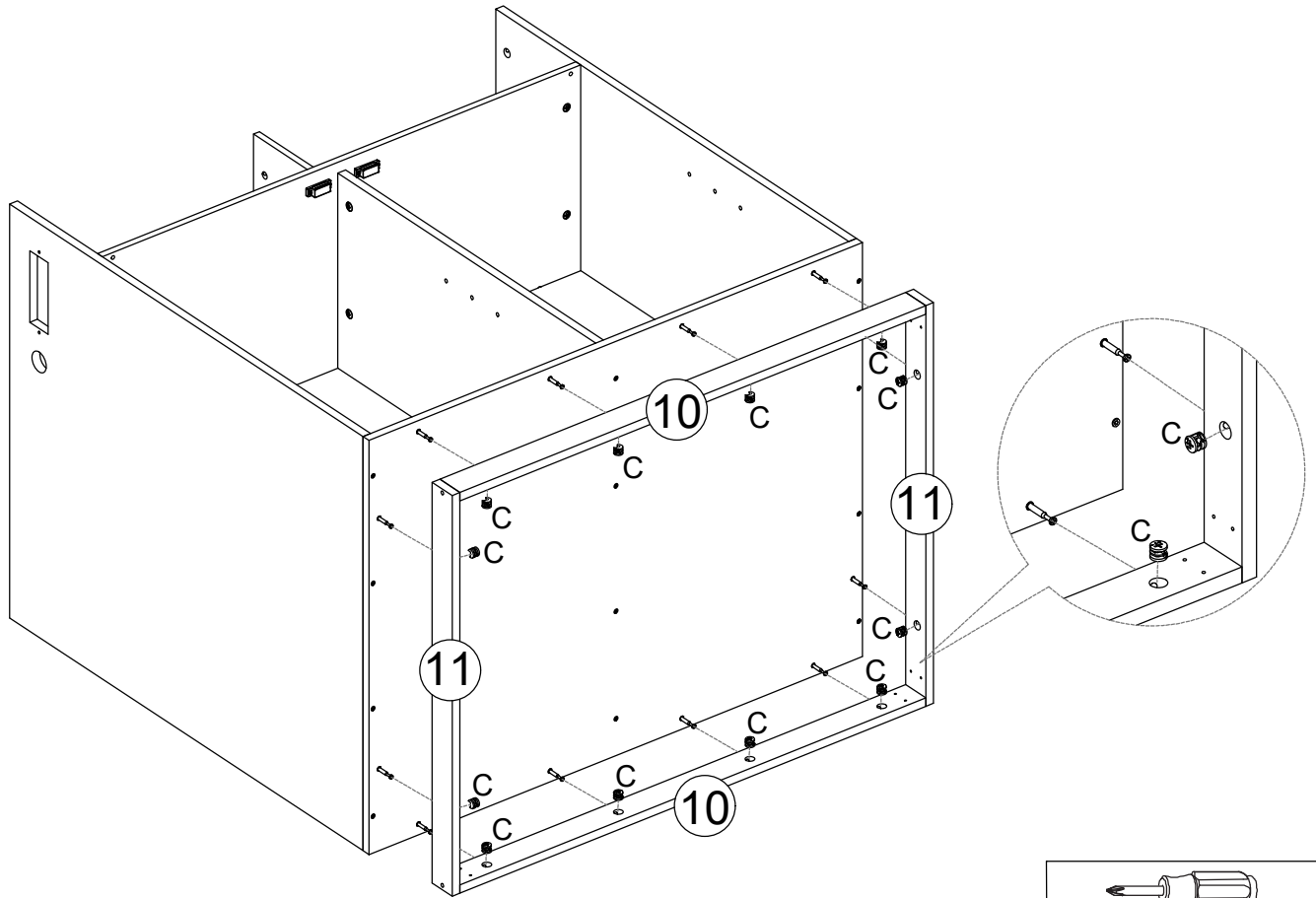
STEP 13





STEP 14

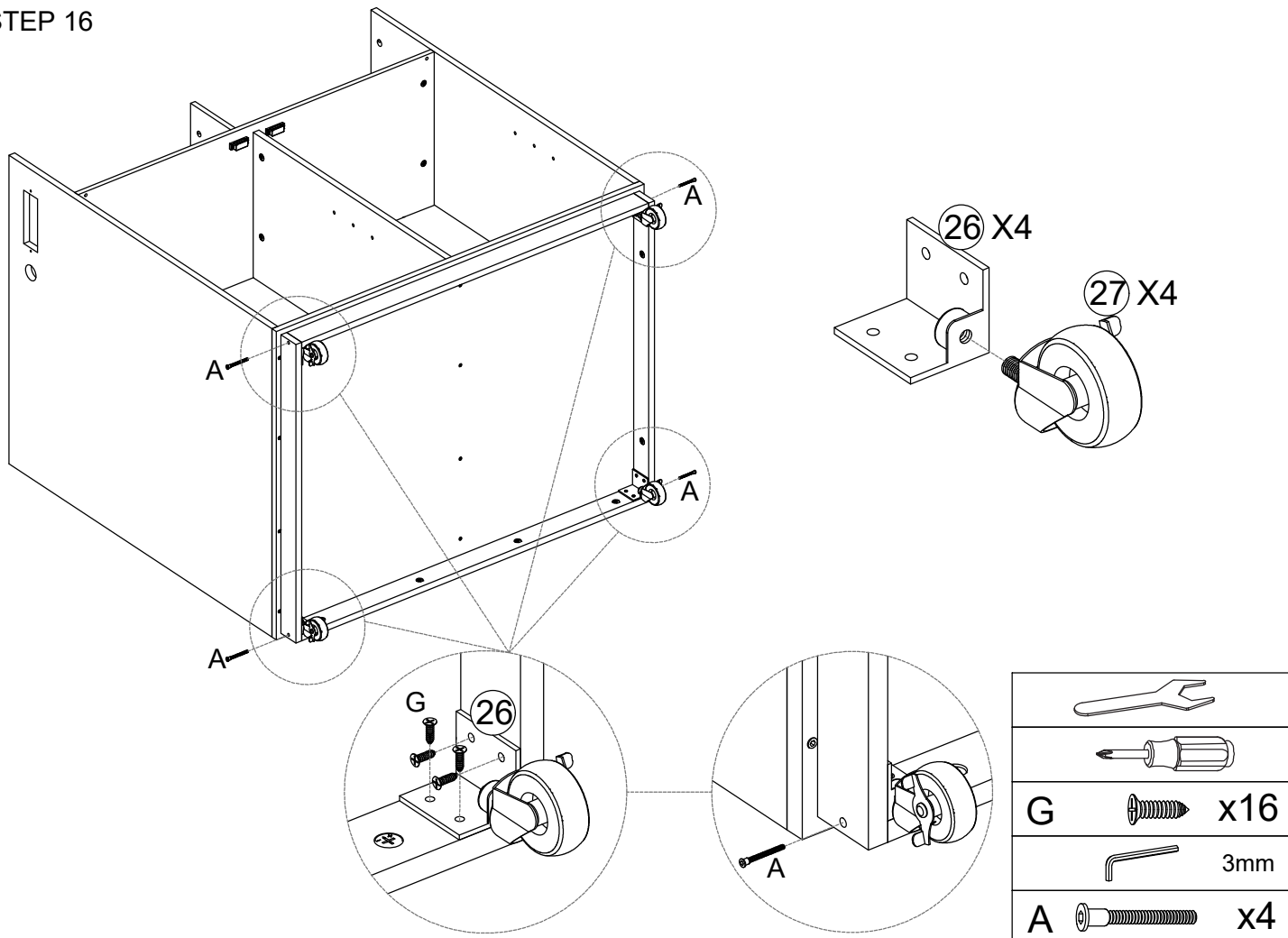






STEP 15



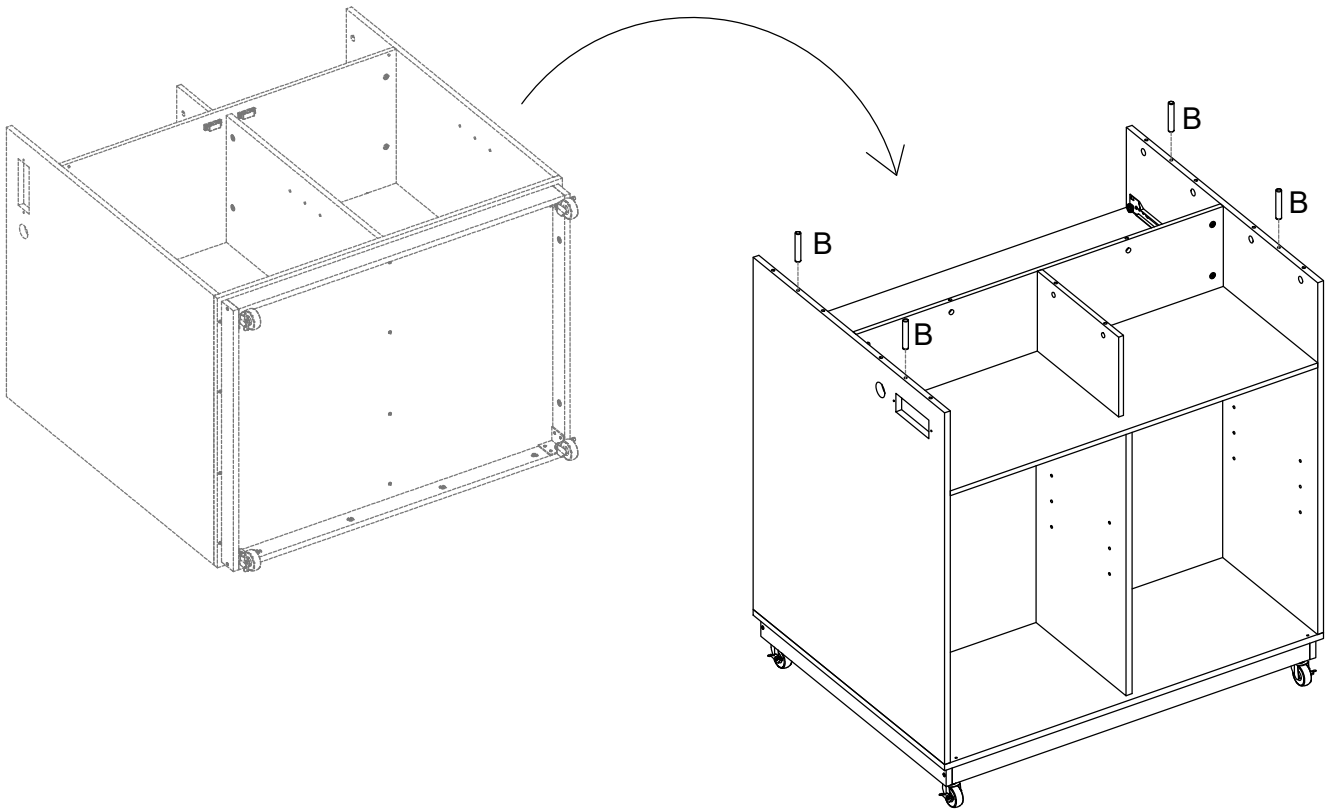
		
C		x12

STEP 16



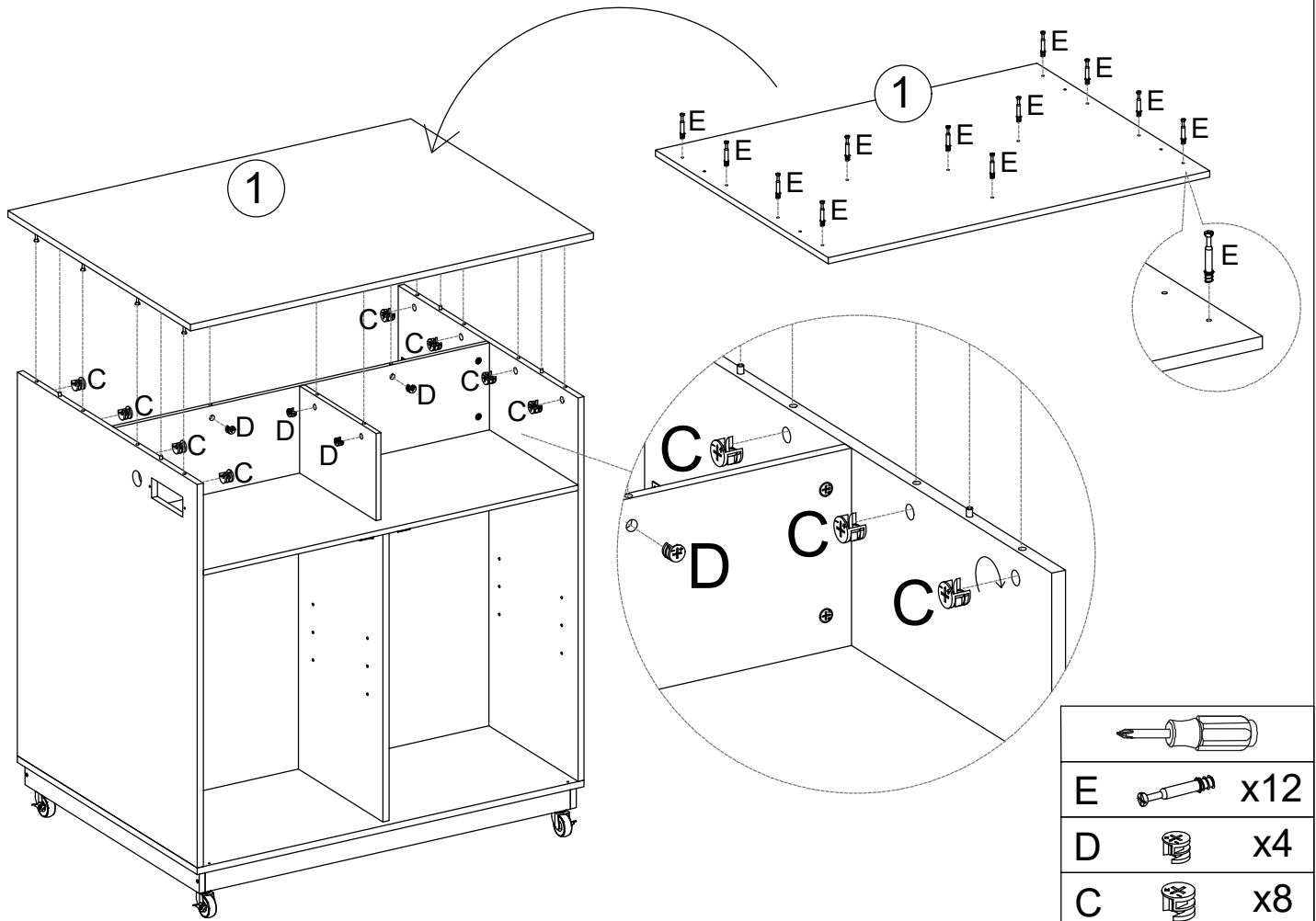
		
		
G		x16
		3mm
A		x4





STEP 17



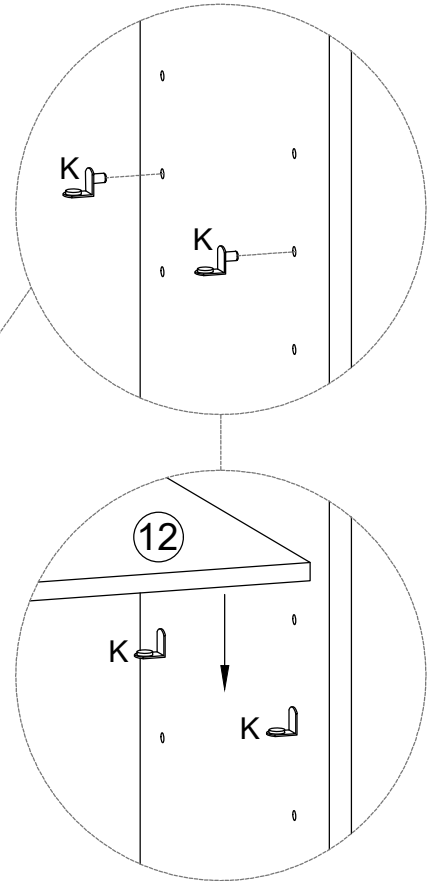
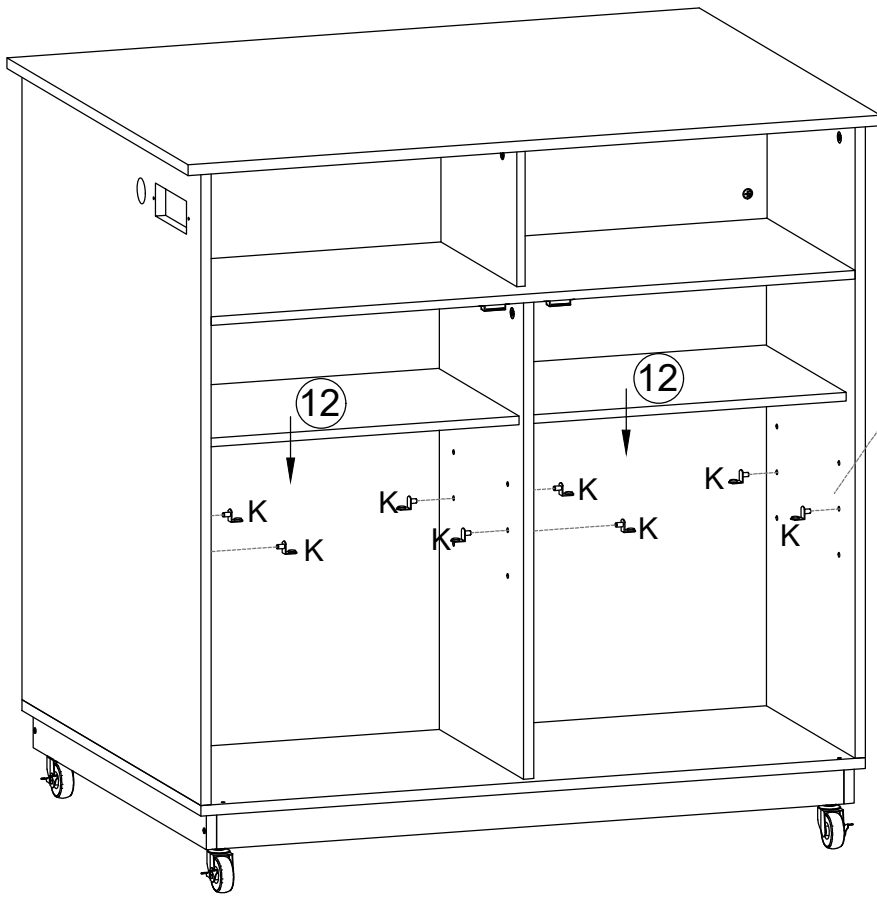
B  x4

STEP 18



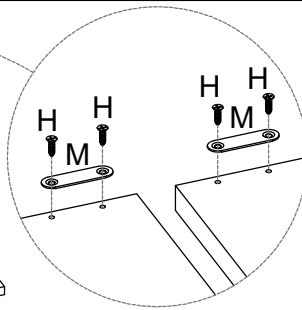
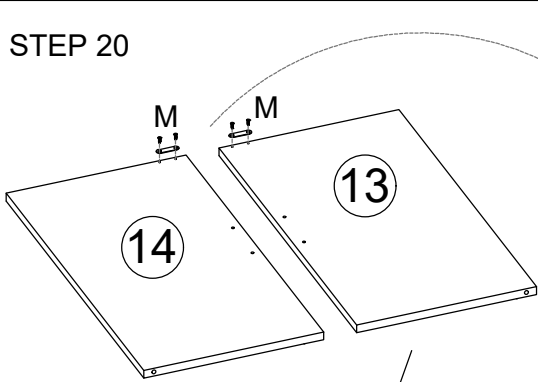
		
E		x12
D		x4
C		x8

STEP 19

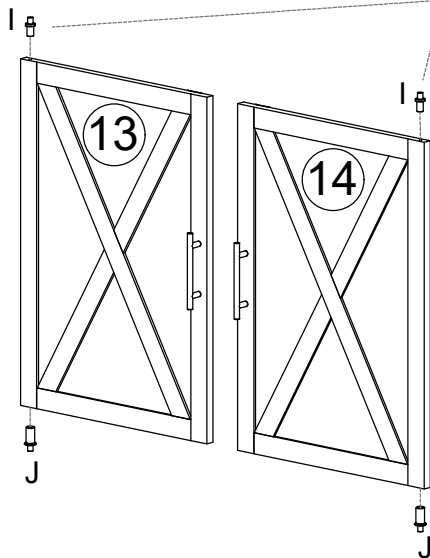
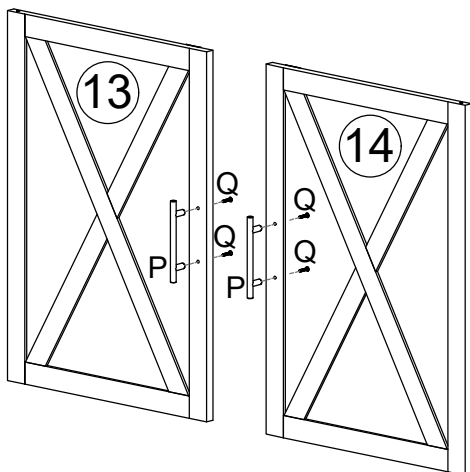
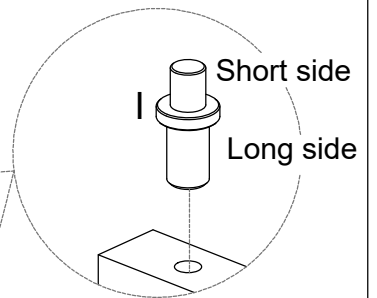
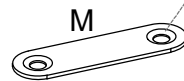








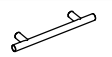
K  x8

STEP 20

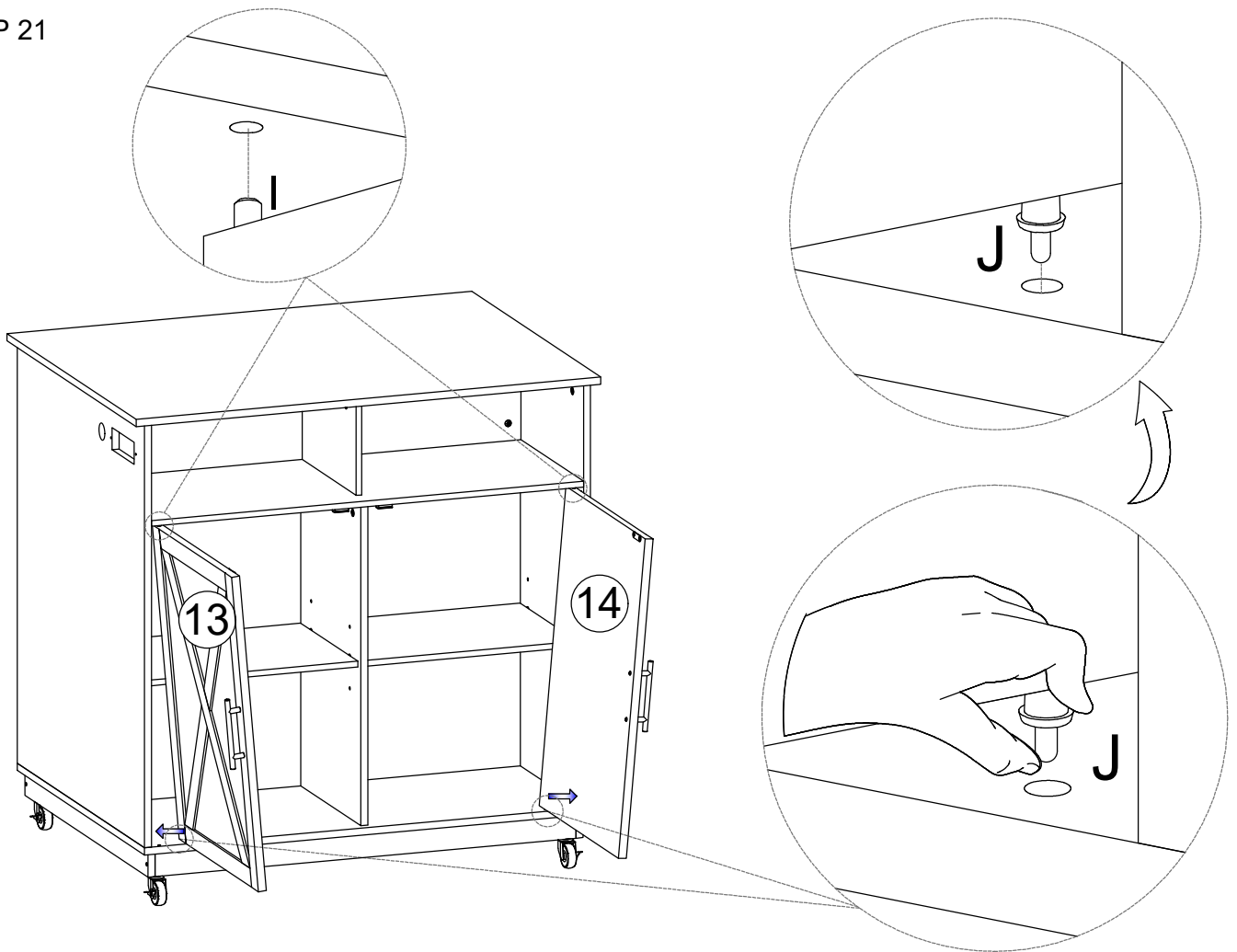


Pay attention to direction

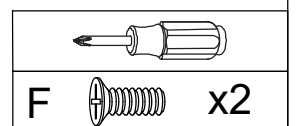
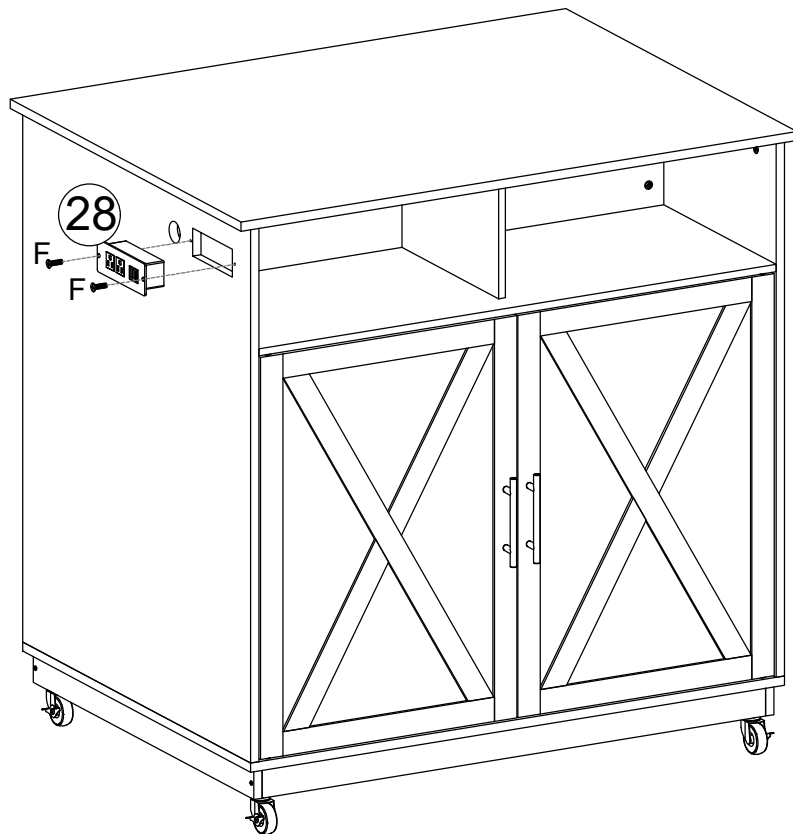


		
J		x2
I		x2
M		x2
H		x4
Q		x4
P		x2

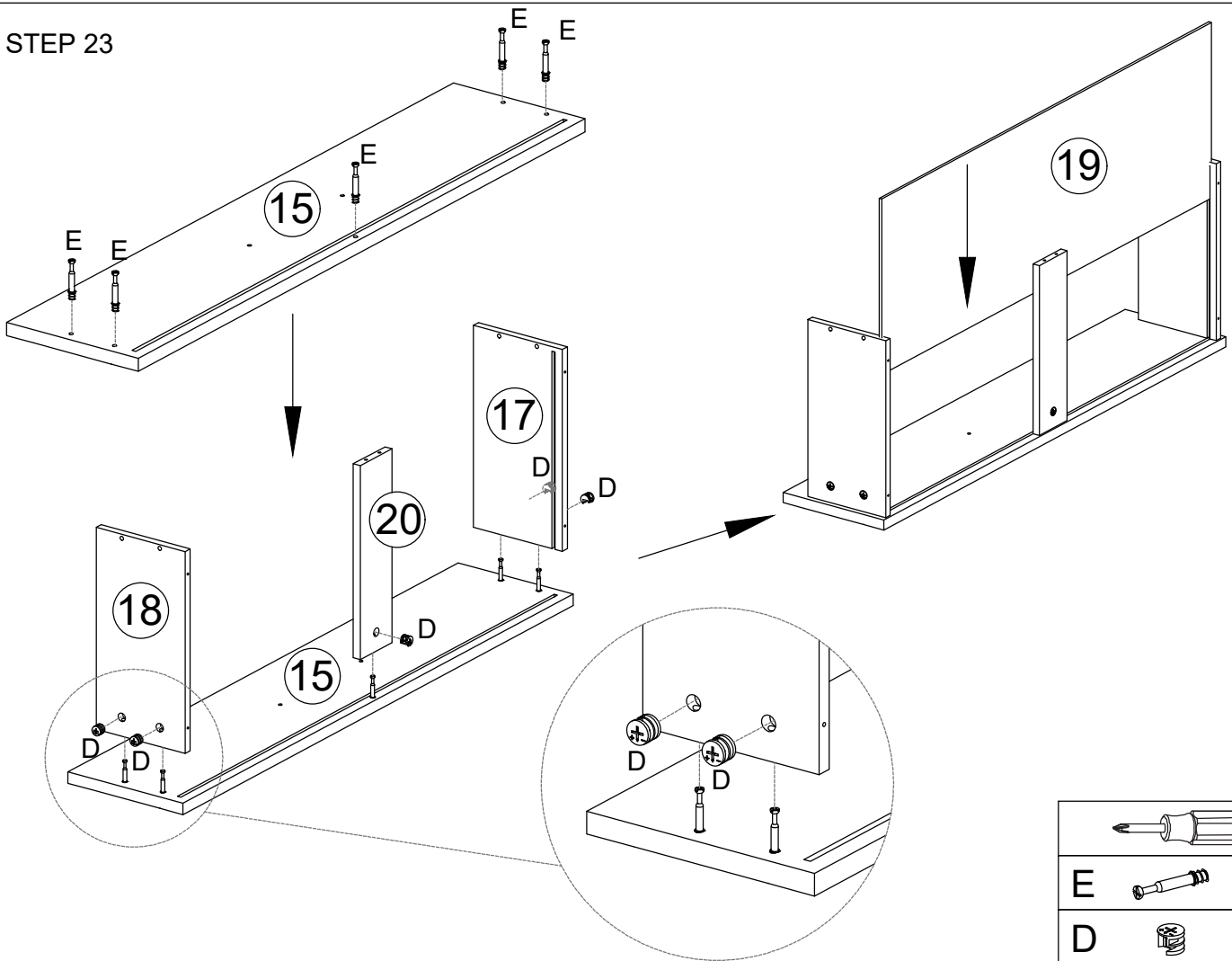
STEP 21



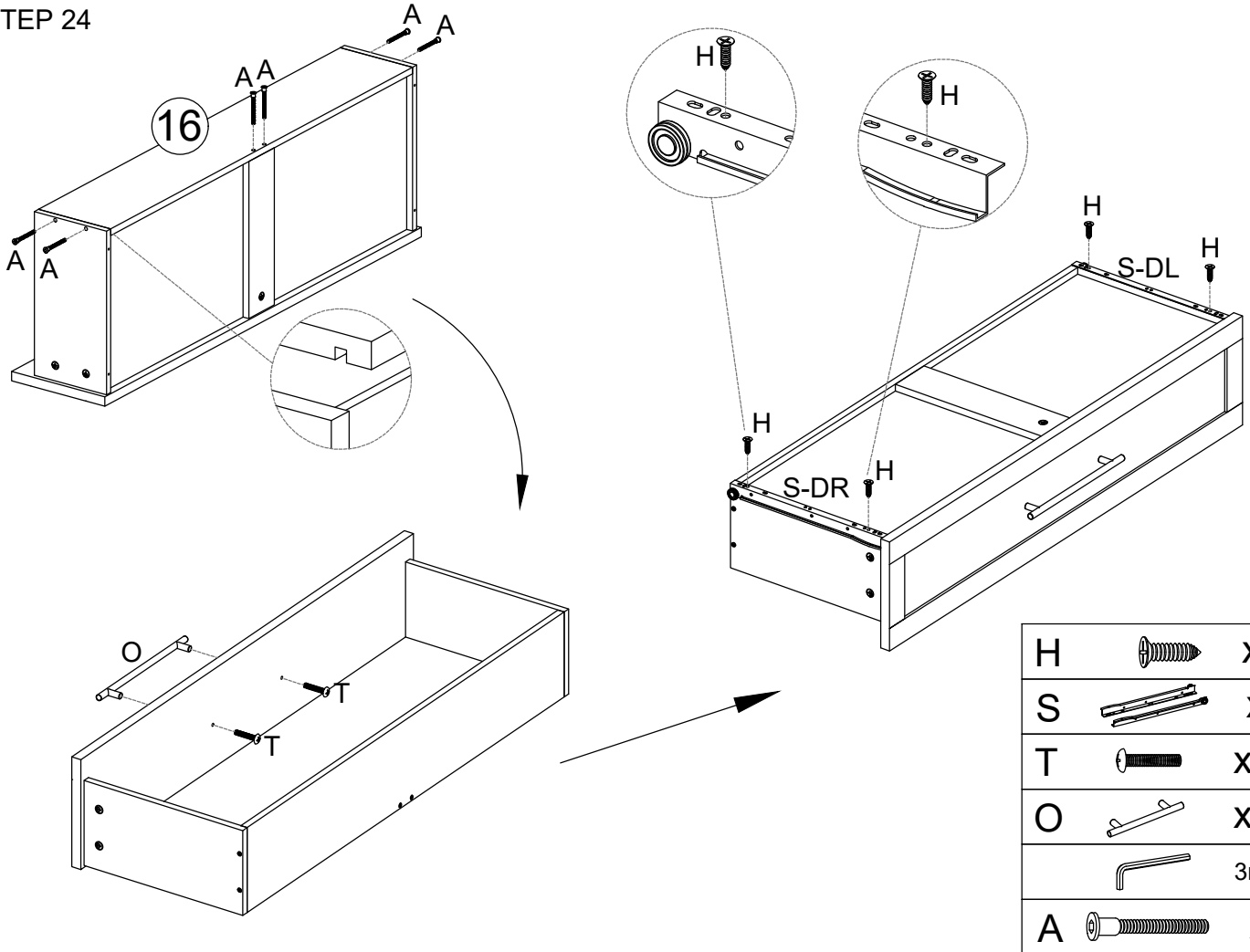
STEP 22



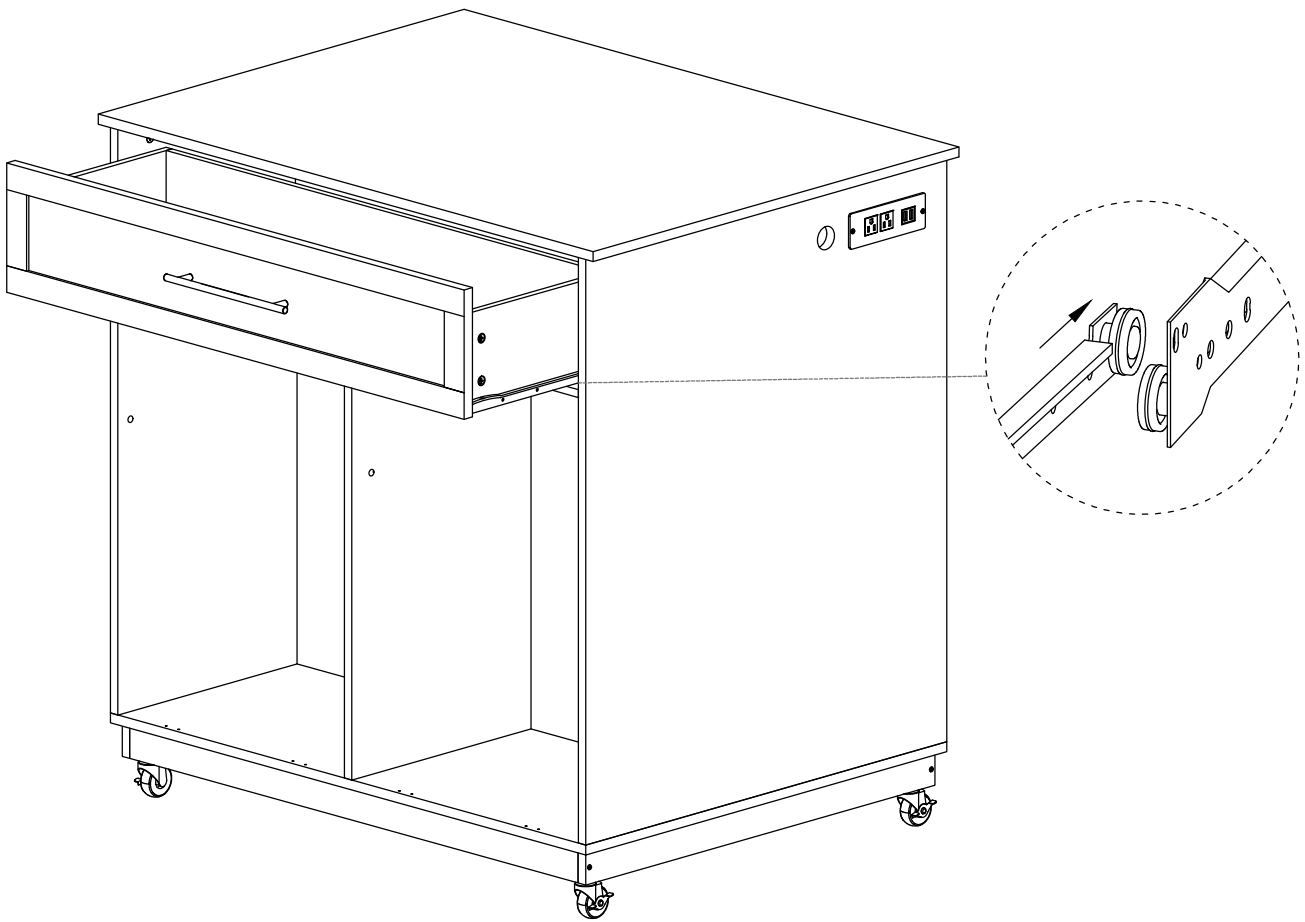
STEP 23



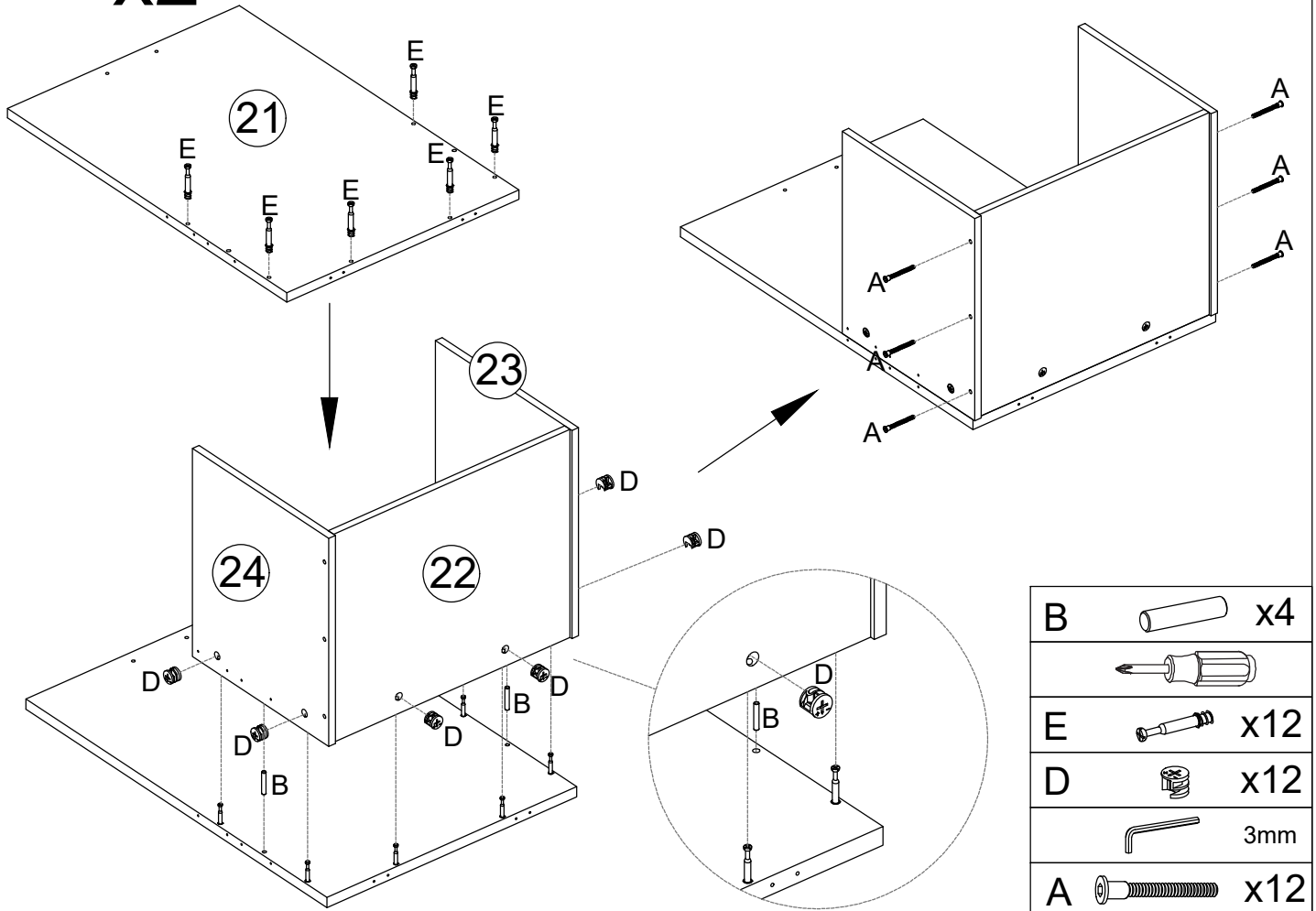
STEP 24



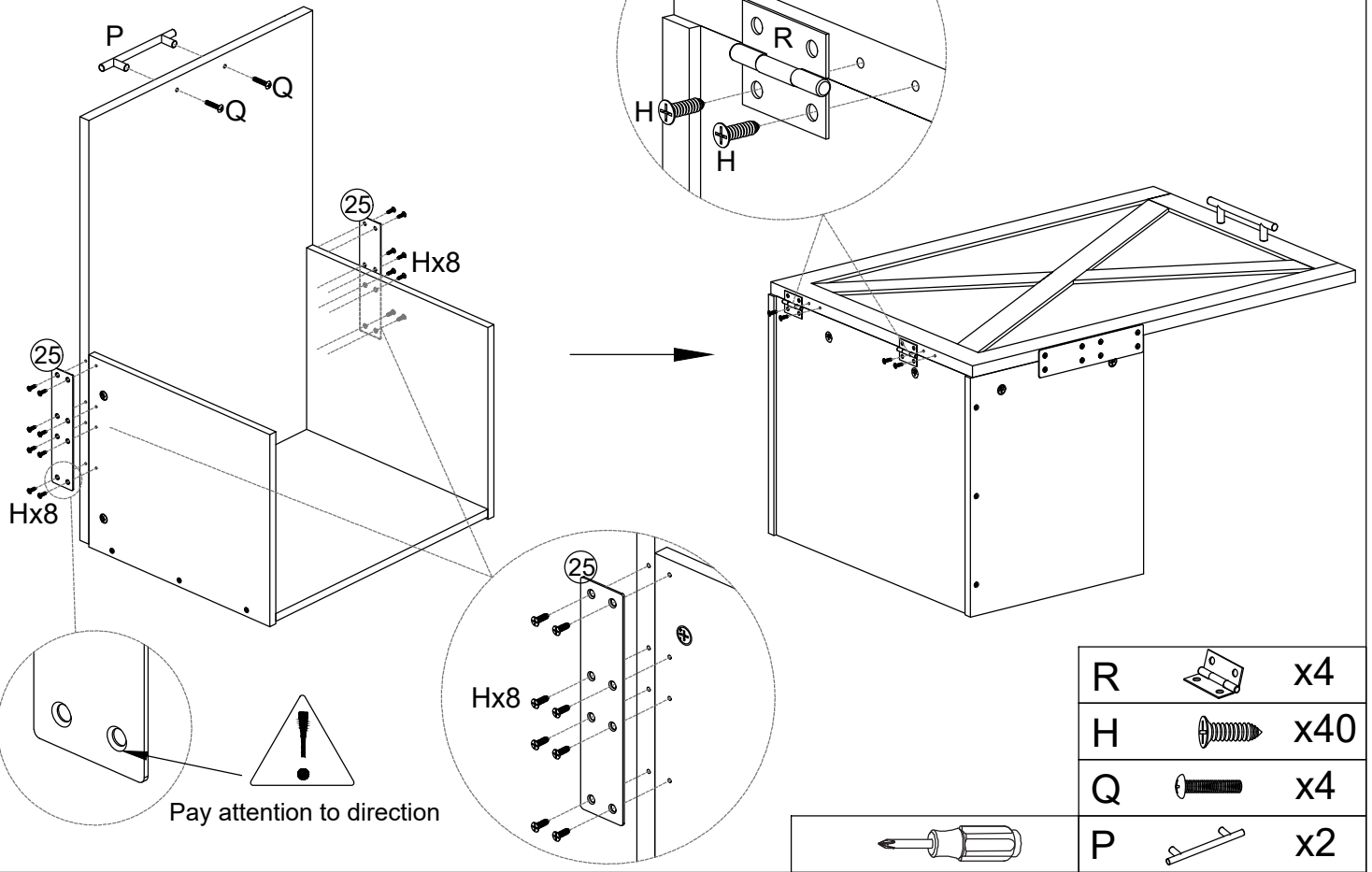
STEP 25



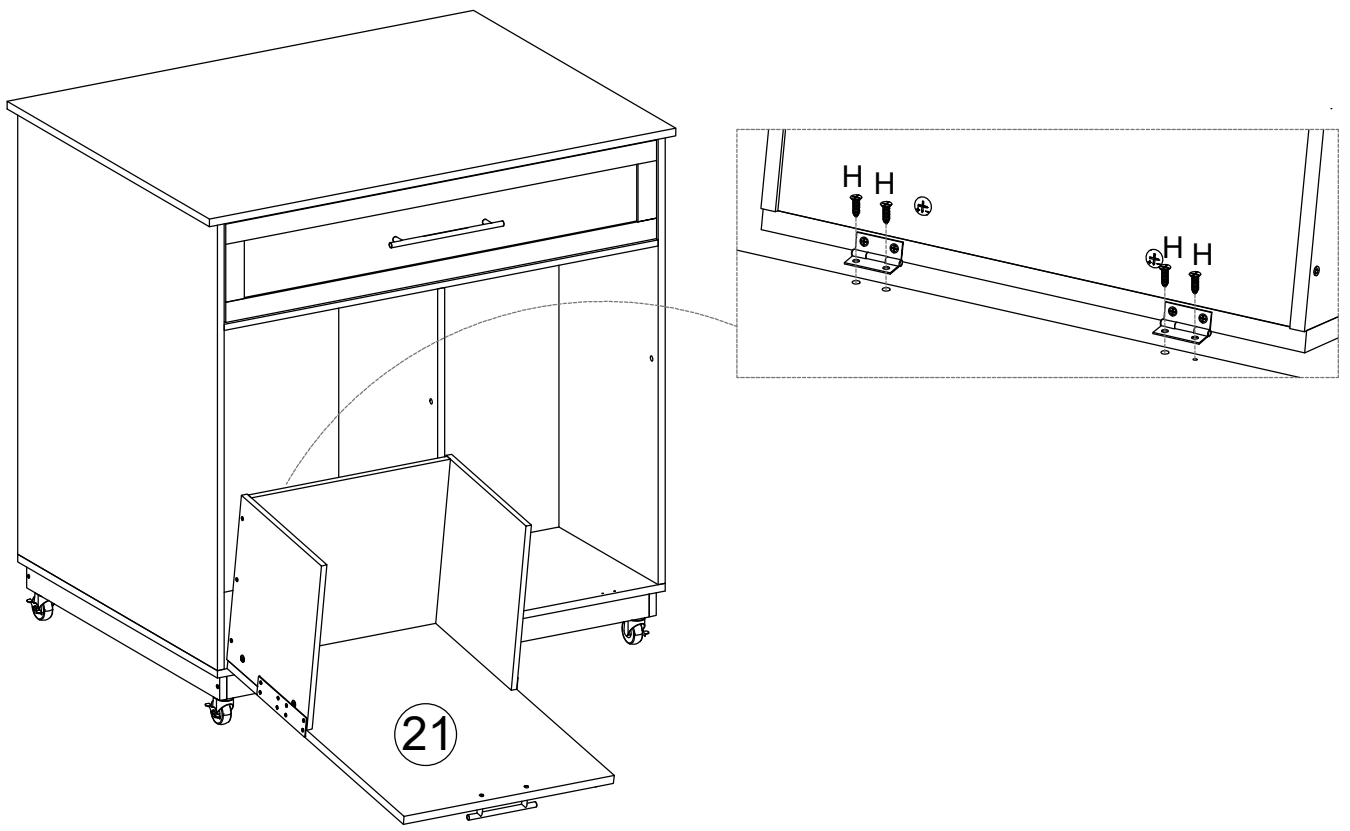
STEP 26 **x2**



STEP 27 **x2**

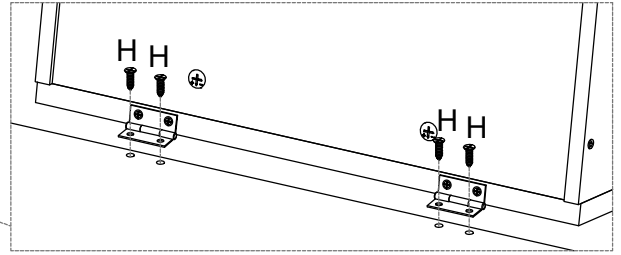
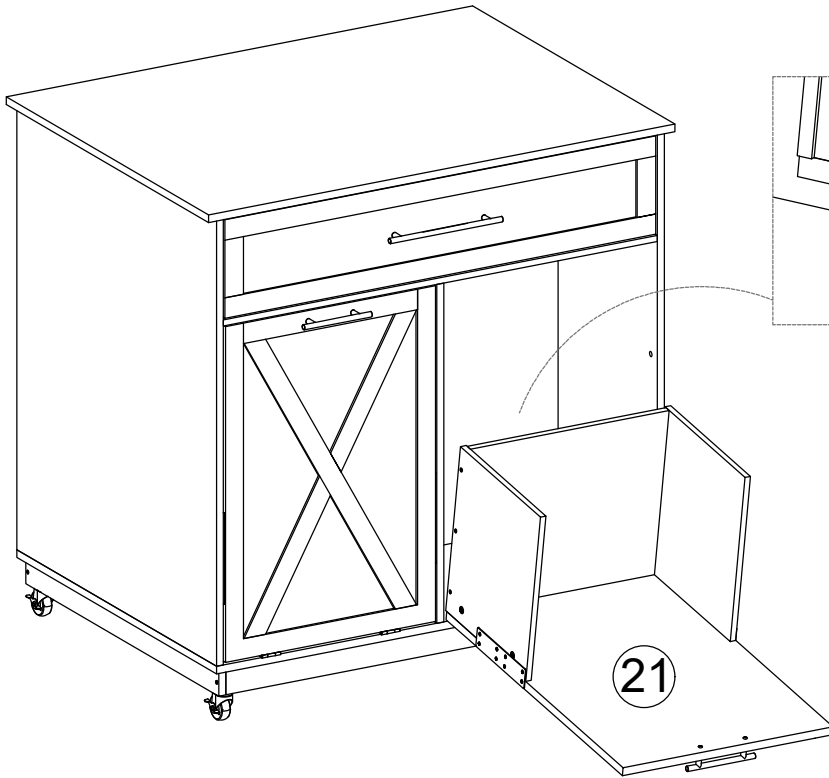


STEP 28



H		x4

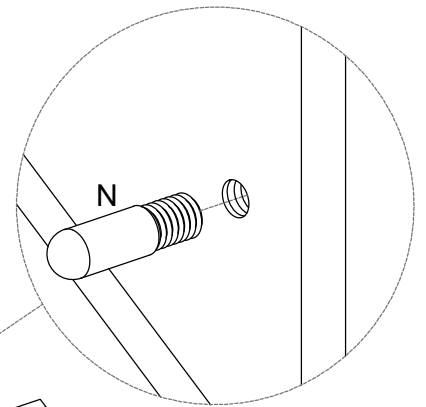
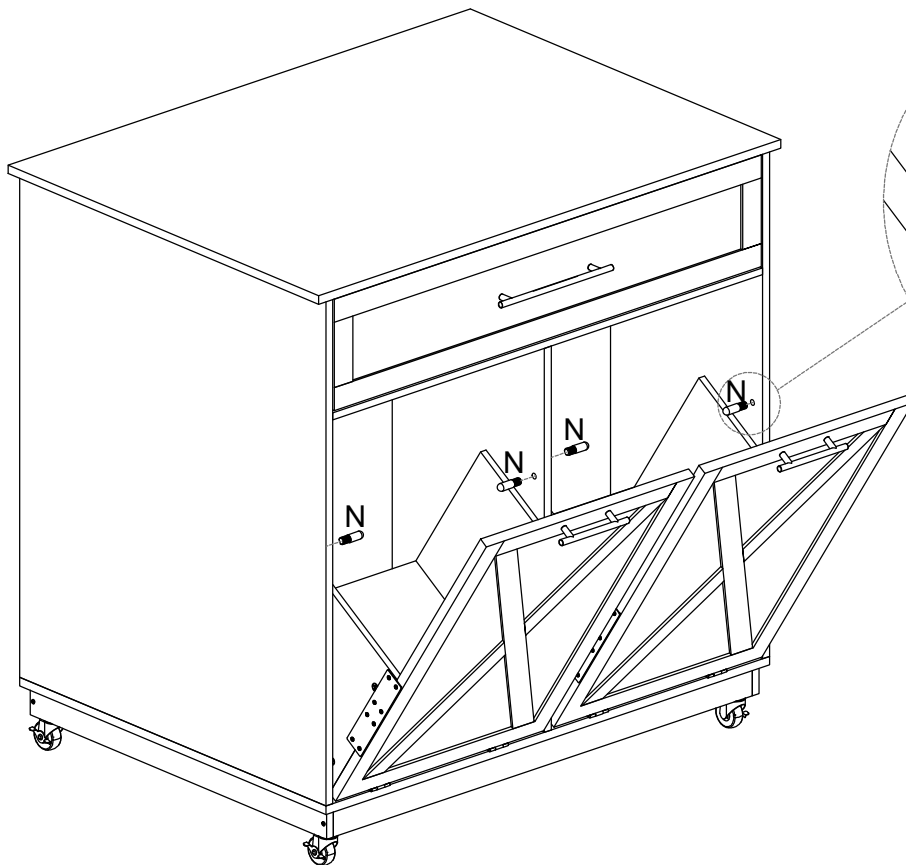
STEP 29




H  x4



STEP 30



Installation Completed

N  x4