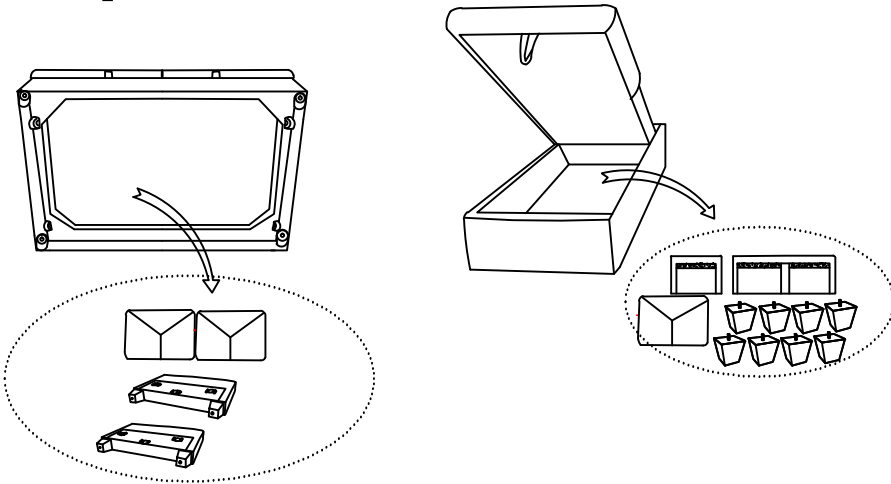
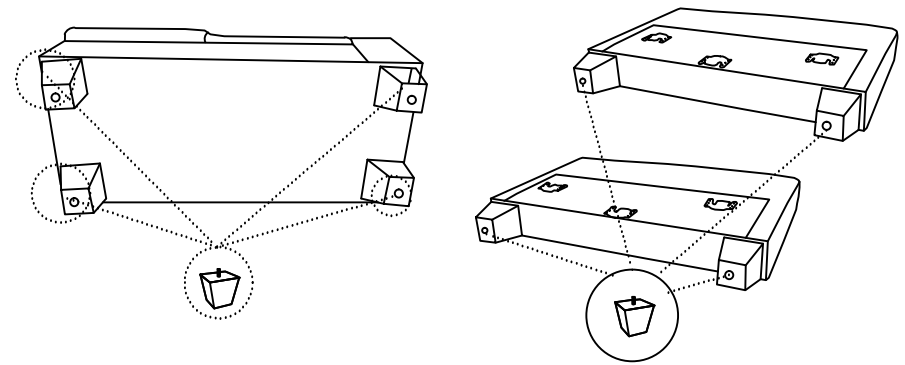


# ASSEMBLY INSTRUCTIONS

step1

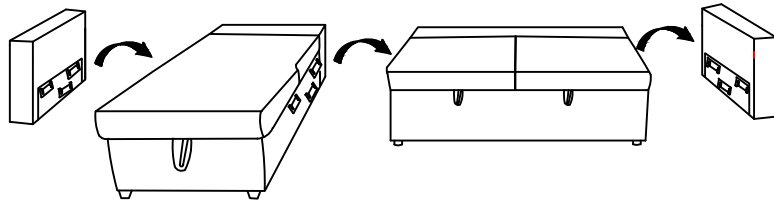
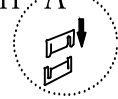


step2

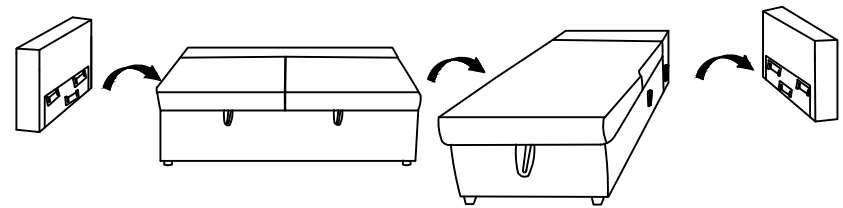


step3

Option A

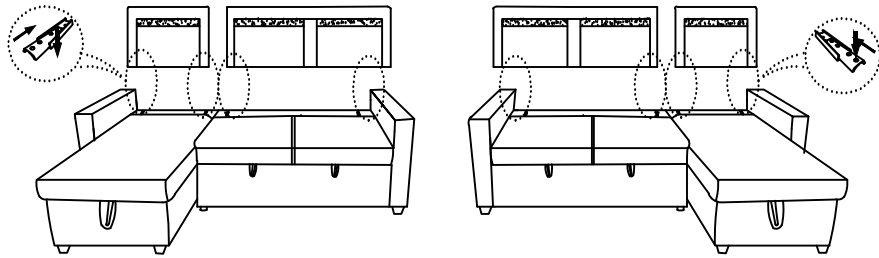


Option B

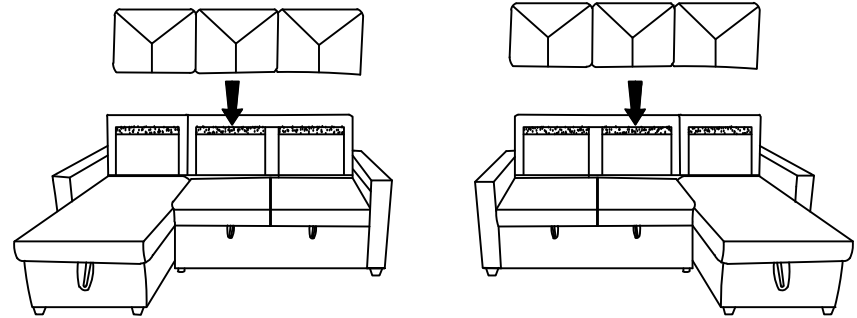


# ASSEMBLY INSTRUCTIONS

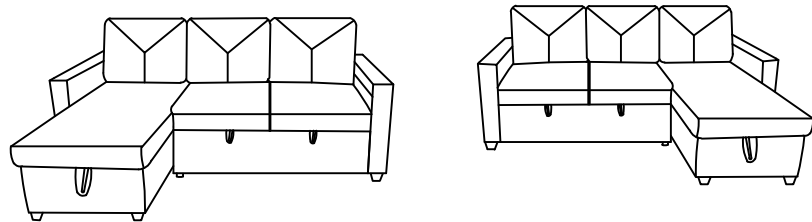
step4



step5



step6



step7

