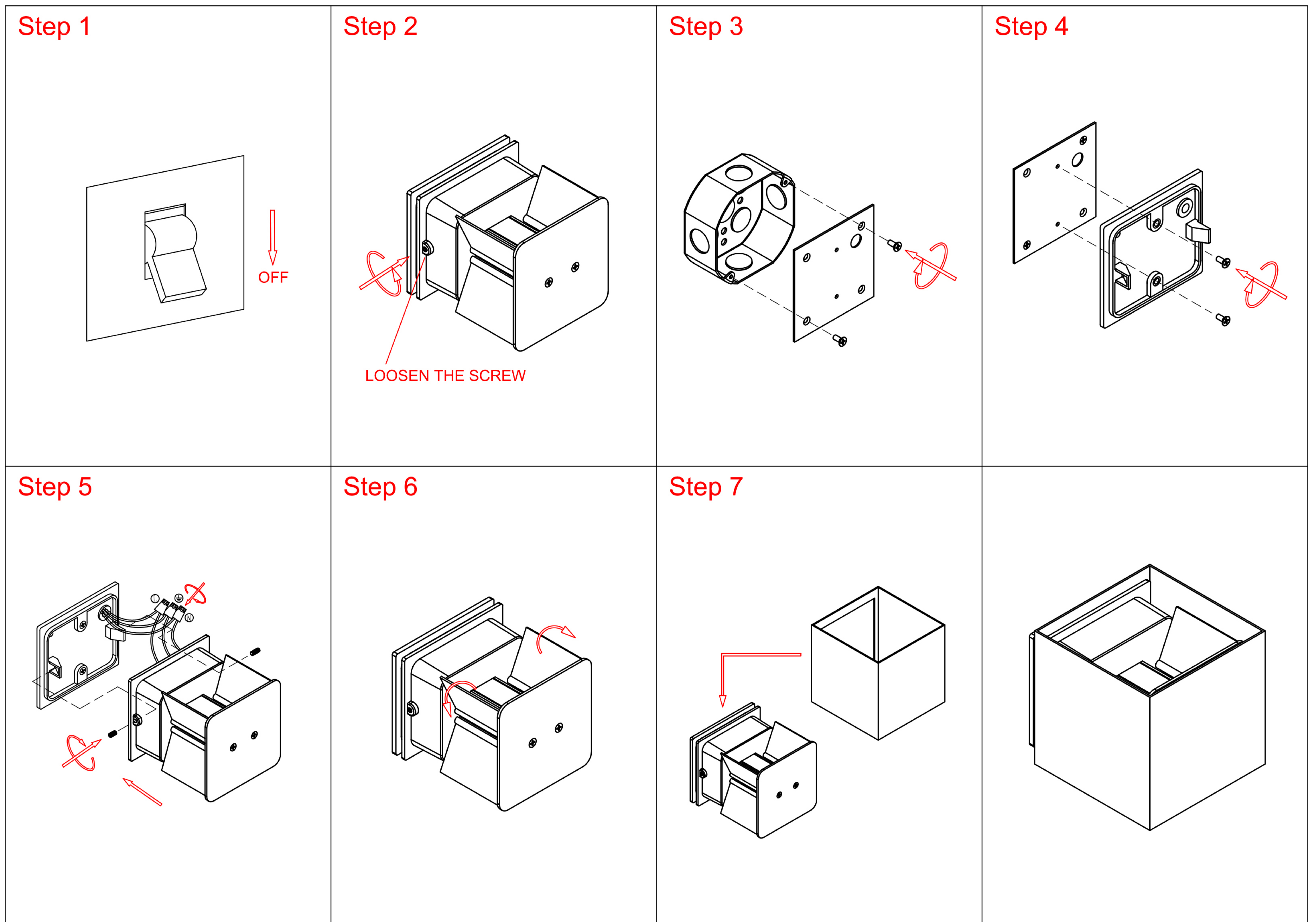


# Installation and Wiring Instructions

Note: Always turn power off before installing the light fixture

Important: You should invite a qualified electrician to install this fixture



1. Turn off the power supply.
2. Remove the screws on both sides of the light fixture and take out the backplate.
3. Install the pre-assembly plate onto the junction box.
4. Mount the light fixture backplate onto the pre-assembly plate.
5. Connect the power cord, then reinstall the screws previously removed from both ends of the light fixture.
6. Adjust the light baffle to the appropriate position.
7. Slide the lamp housing cover down over the lamp body.
8. Installation complete.