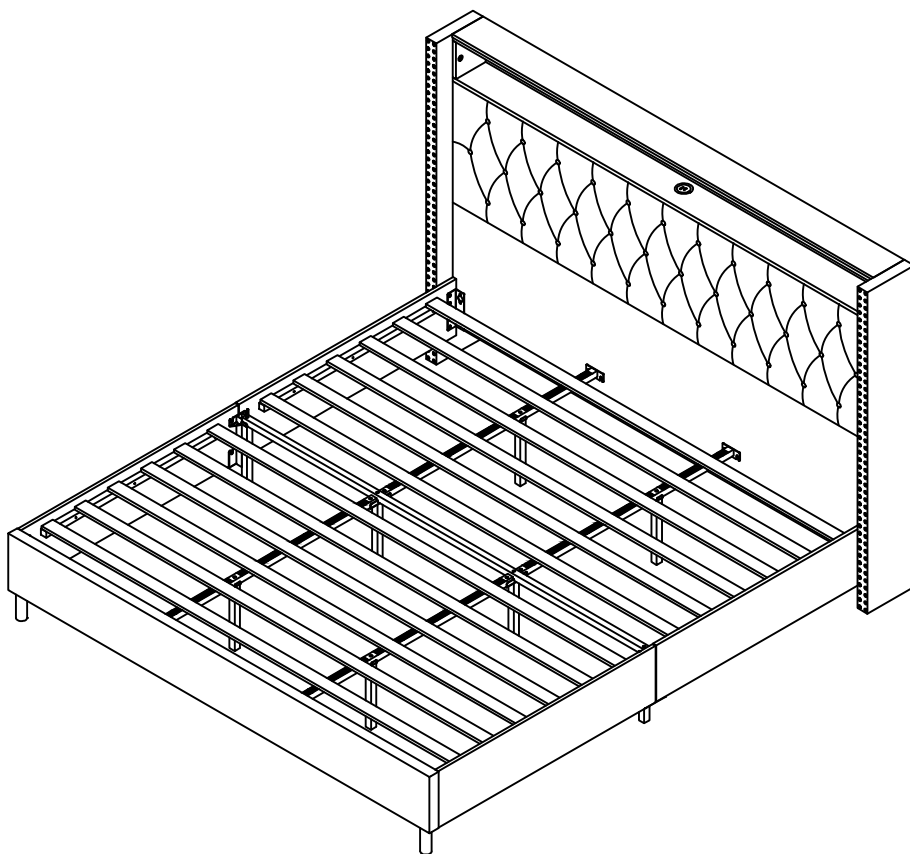


ASSEMBLY INSTRUCTIONS

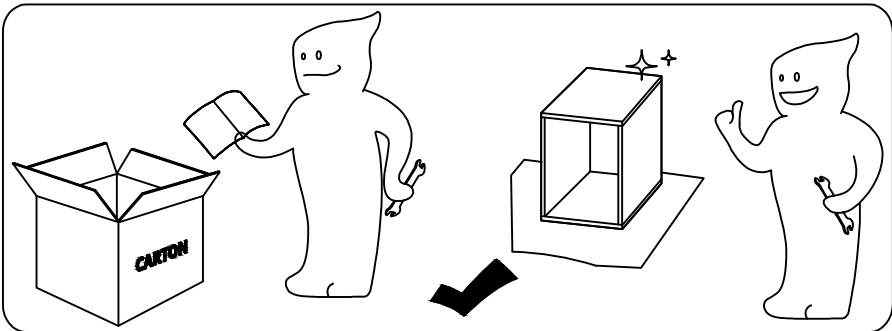
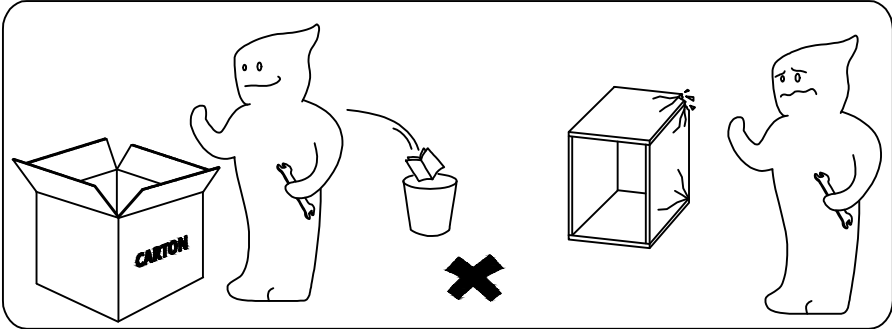


Dear Customers,

Thank you for purchasing our product. Please read this instruction manual carefully after receiving this product. It will help you assemble this product quickly, safely and correctly. You can keep this manual for future reference.

IMPORTANT

Please follow the instruction manuals and use a pad to protect the product during your assembly.



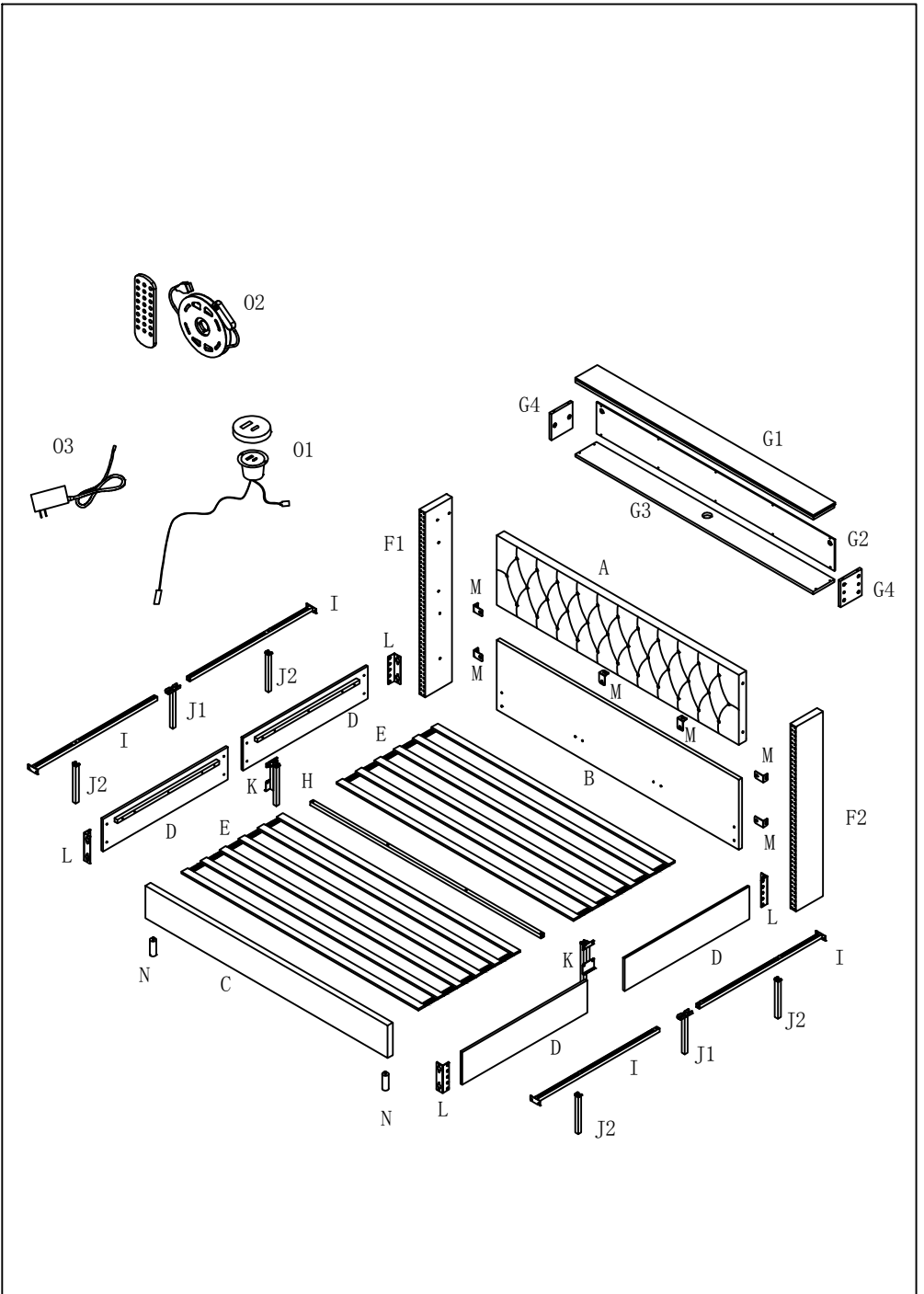
Note:

1. Should be assembled on flat ground to keep balance.
2. Before completing the installation, do not tighten the screws.



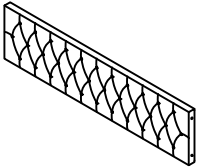
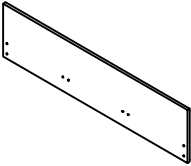
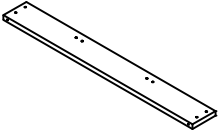
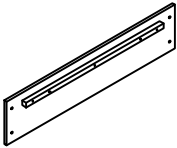
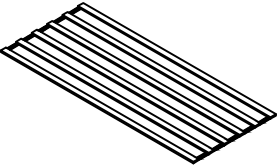


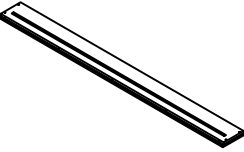
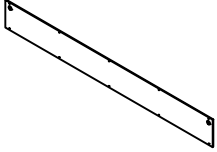
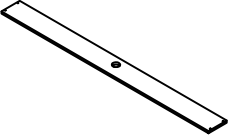
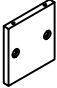
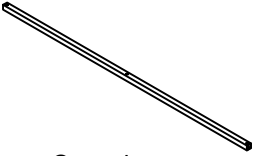

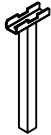

For easier and better assembly, 2 or more adults are required.

ASSEMBLY INSTRUCTIONS





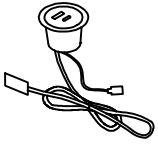
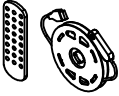
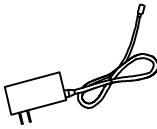



ASSEMBLY INSTRUCTIONS


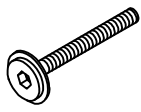

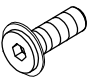

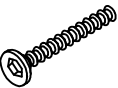

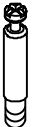



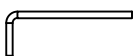
Part list

<p>A 1PC</p>  <p>Top headboard</p>	<p>B 1PC</p>  <p>Bottom headboard</p>	<p>C 1PC</p>  <p>Footboard</p>
<p>D 4PCS</p>  <p>bed side</p>	<p>E 2PCS</p>  <p>Slat</p>	<p>F1 1PC</p>  <p>Left wing</p>
<p>F2 1PC</p>  <p>Right wing</p>	<p>G1 1PC</p>  <p>Top headboard</p>	<p>G2 1PC</p>  <p>Back bed side</p>
<p>G3 1PC</p>  <p>Lower board</p>	<p>G4 2PCS</p>  <p>Side board</p>	<p>H 1PC</p>  <p>Cross bar</p>
<p>I 4PCS</p>  <p>middle support bar</p>	<p>J1 2PCS</p>  <p>Middle support leg</p>	<p>J2 4PCS</p>  <p>Support leg</p>


Part list

K	2PCS	L	4PCS	M	6PCS	N	2PCS
							
Bed side support leg		Connector		Connector		Foot	
01	1PC	02	1PC	03	1PC	04	2PCS
							
Electric outlet		Light stripe & controller		Adaptor			

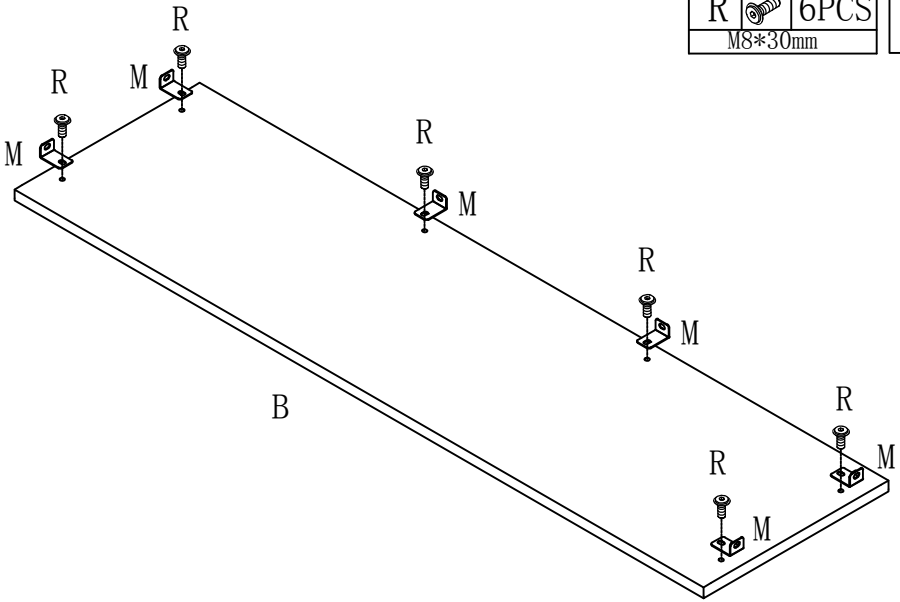
Hardware list

05	4PCS		10PCS	Q	10PCS	R	26PCS
			M8*50mm		M8*40mm		M8*30mm
S	18PCS	T	10PCS	U	3PCS	V	8PCS
	M8*18mm		M5*28mm		M3*15mm		
W	8PCS	X	4PCS	Y	1PC	Z	1PC
			∅22*∅8.5		M8 Spanner		M3 Spanner

ASSEMBLY INSTRUCTIONS

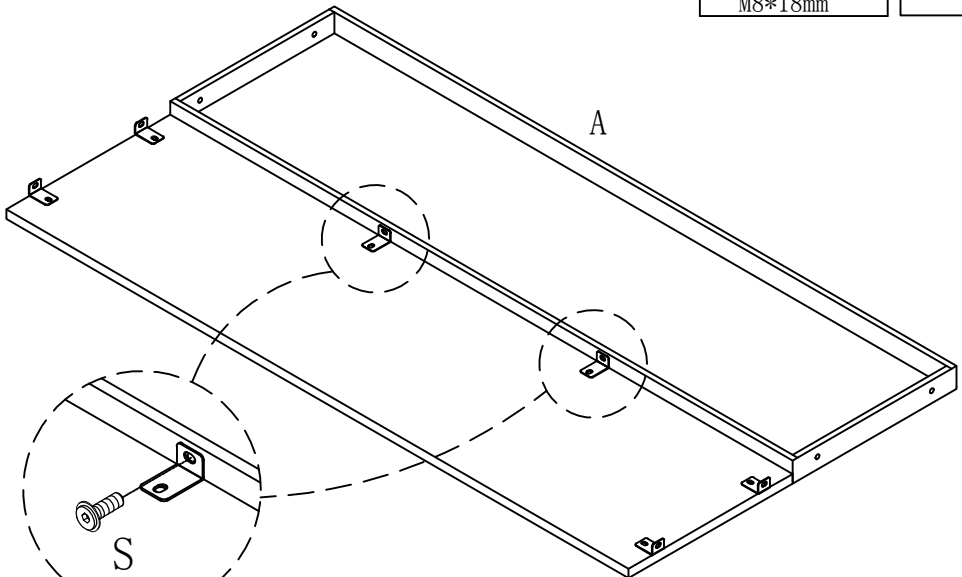
R		6PCS
M8*30mm		

1






S		2PCS
M8*18mm		

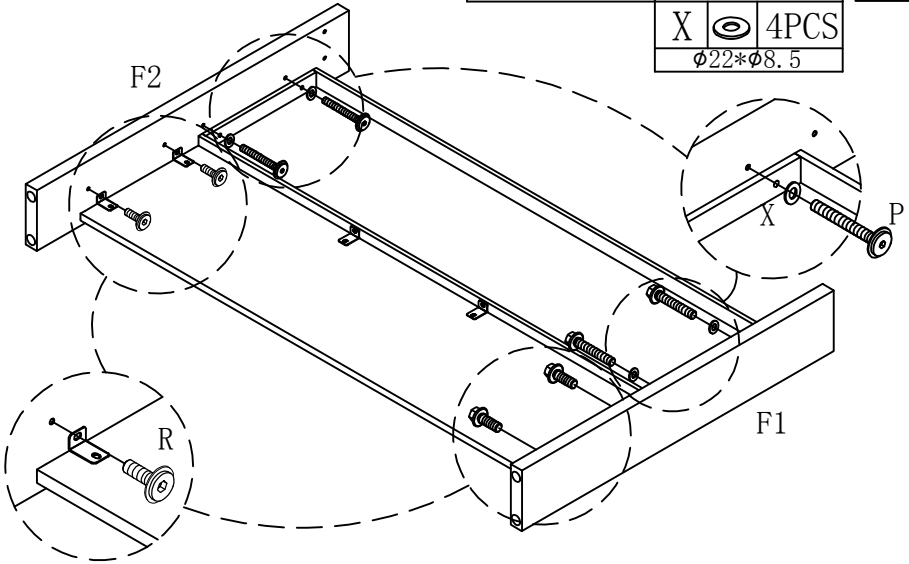
2




ASSEMBLY INSTRUCTIONS

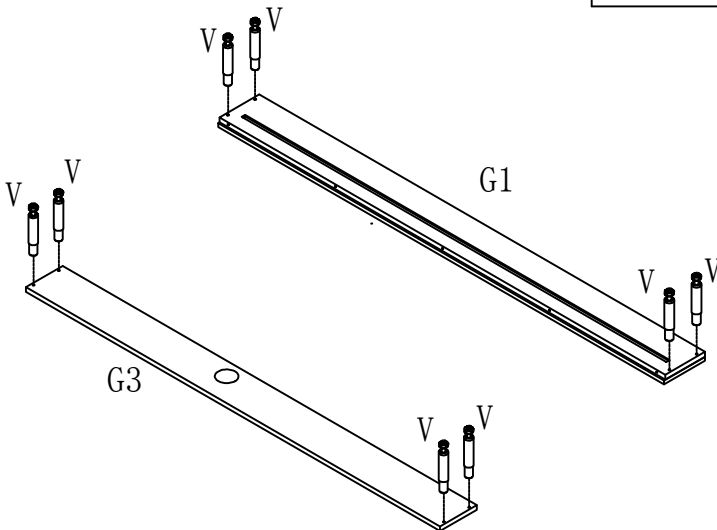
P		4PCS	R		4PCS
M8*50mm			M8*30mm		
X		4PCS			
Ø22*Ø8.5					

3




V		8PCS
---	---	------

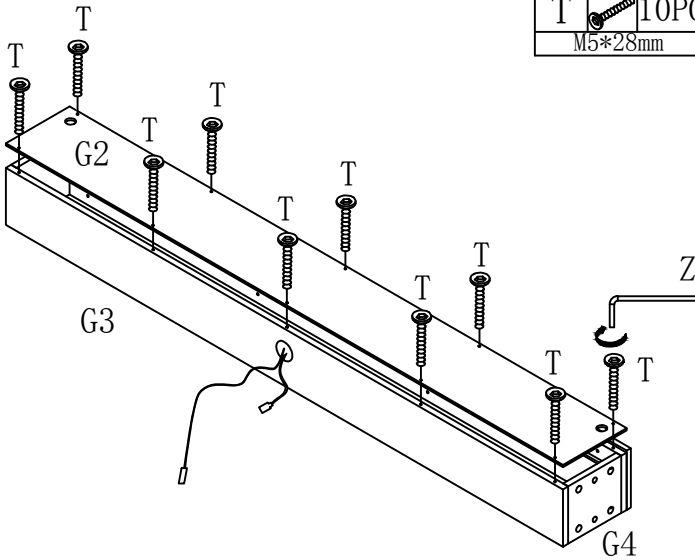
4



ASSEMBLY INSTRUCTIONS

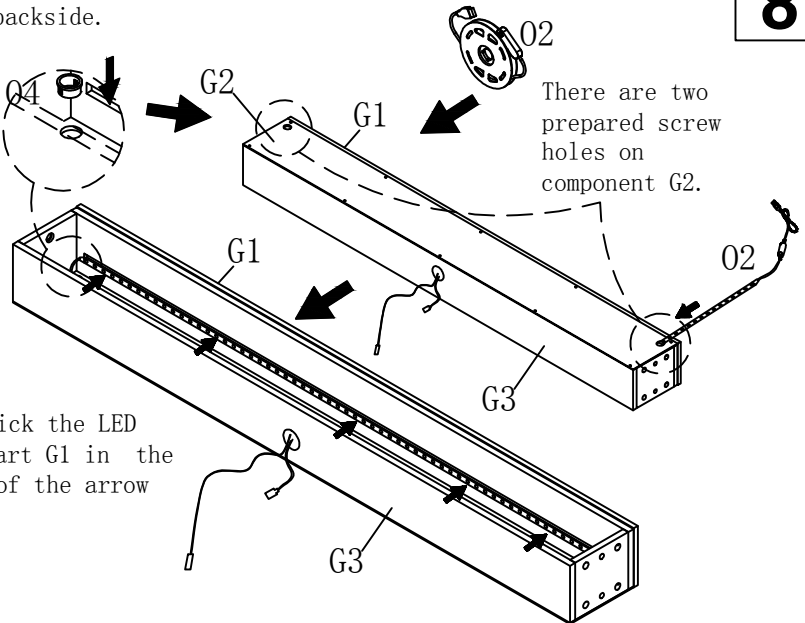
T		10PCS
M5*28mm		

7




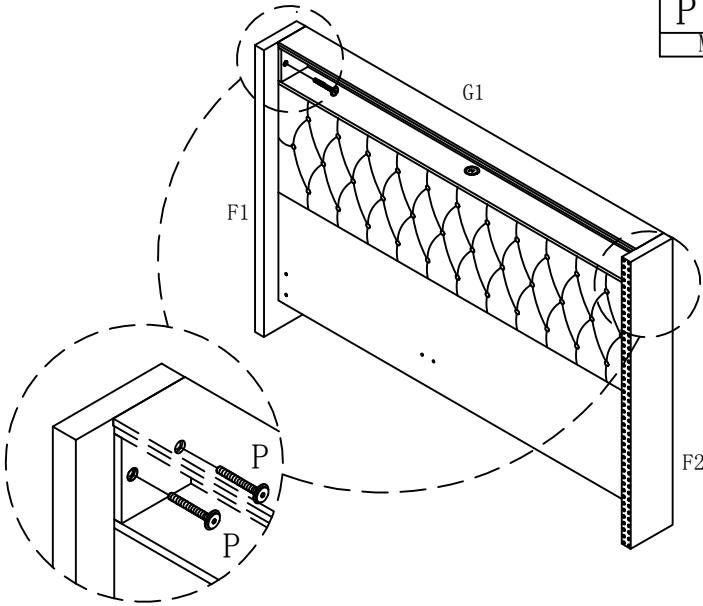
Step 1: Put plastic ring from inside to backside.


8

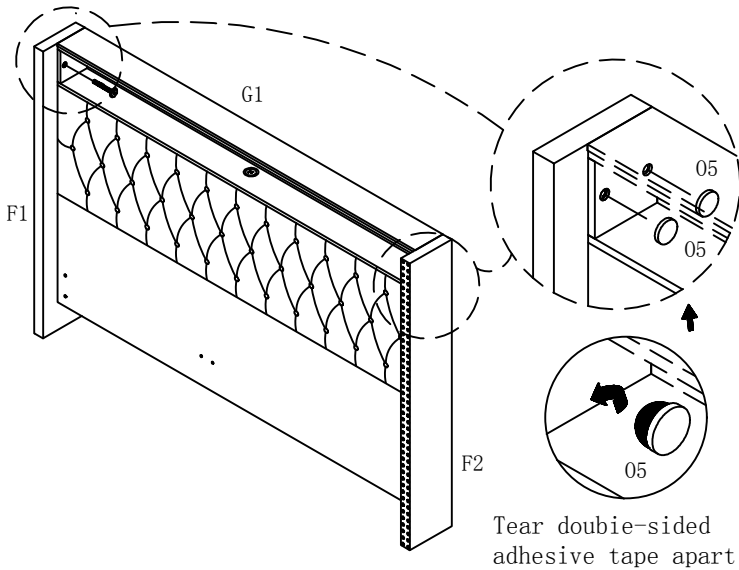


ASSEMBLY INSTRUCTIONS

P		4PCS
M8*50mm		

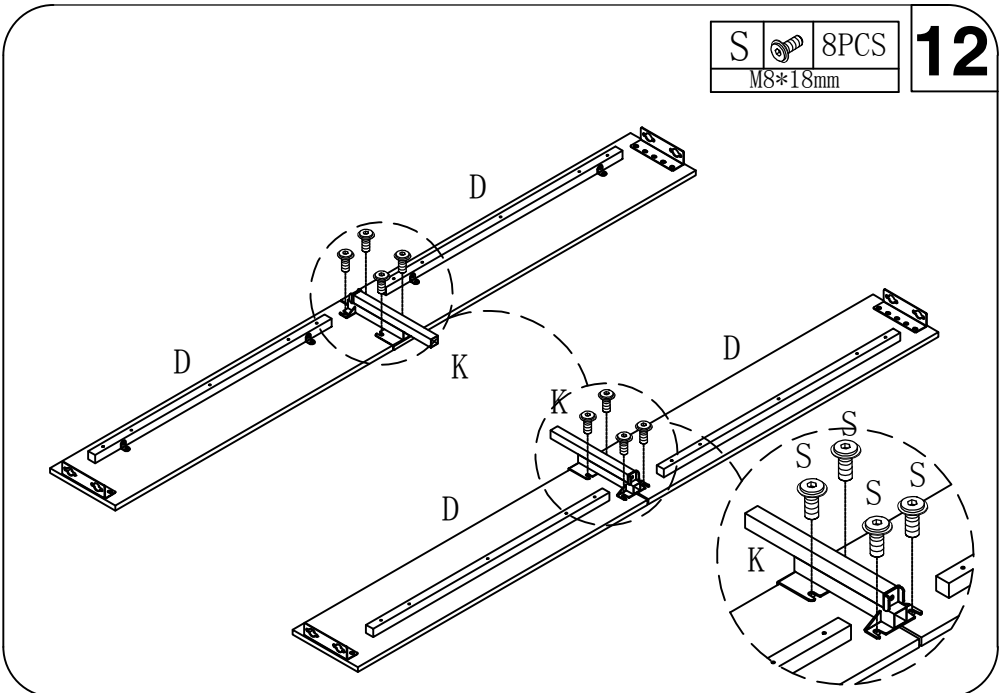
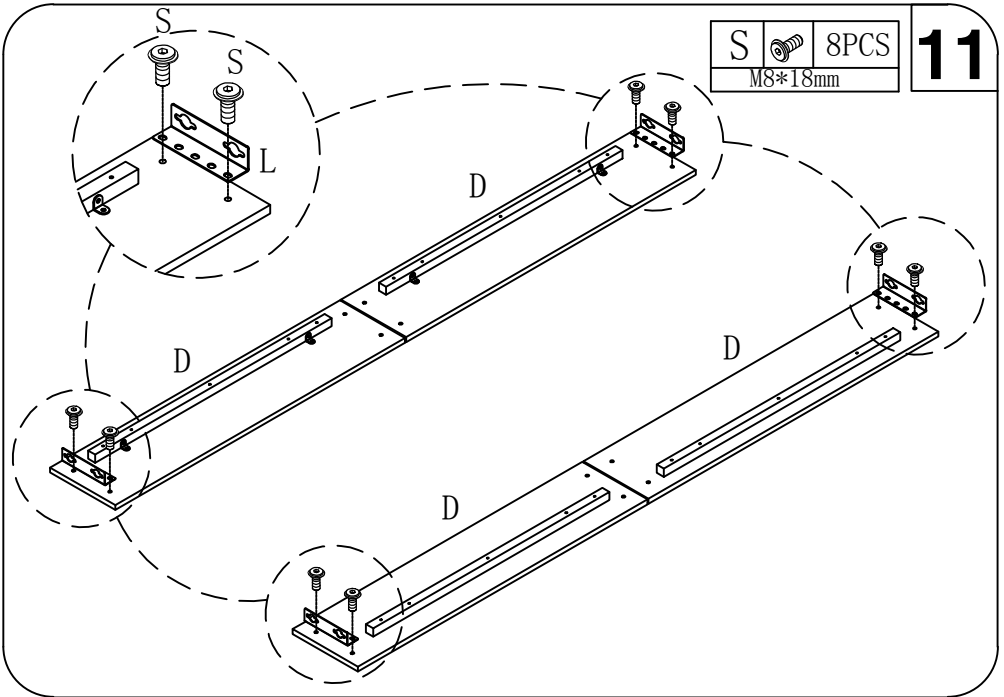
9

05		4PCS
----	---	------

10

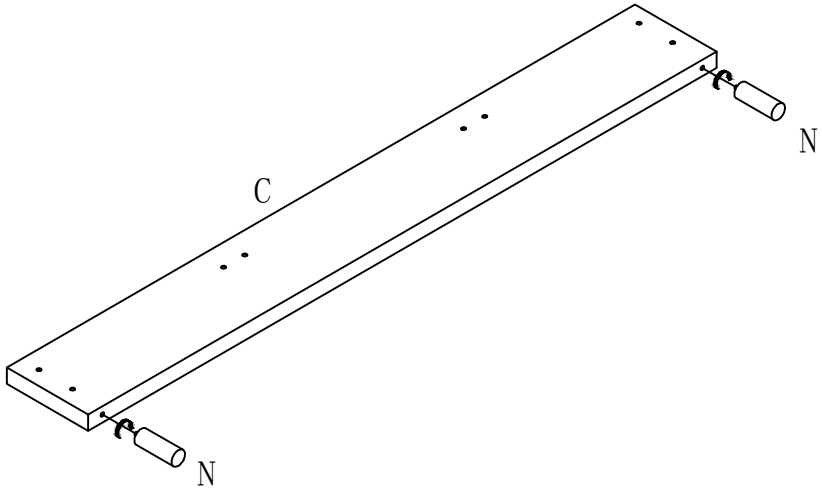
Tear double-sided adhesive tape apart

ASSEMBLY INSTRUCTIONS



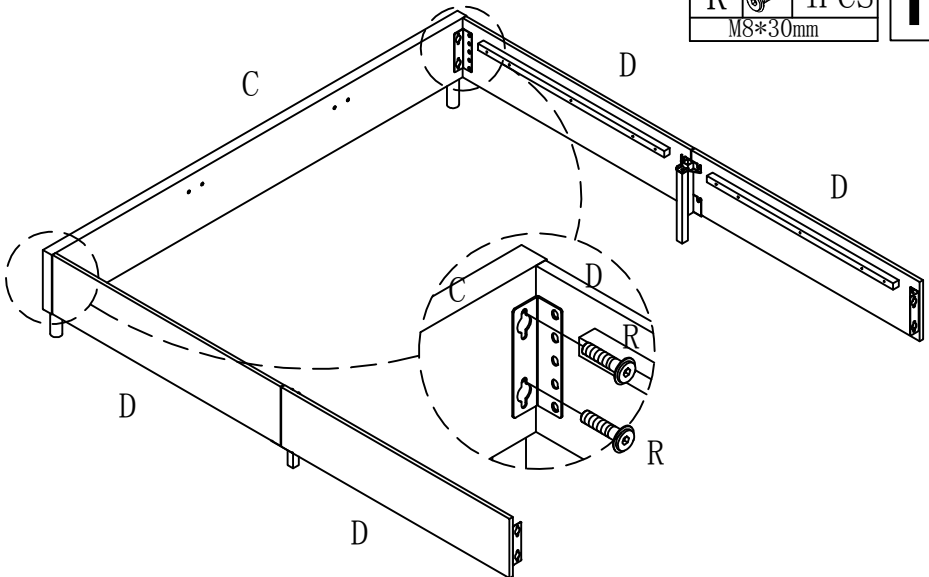
ASSEMBLY INSTRUCTIONS

13




R		4PCS
M8*30mm		

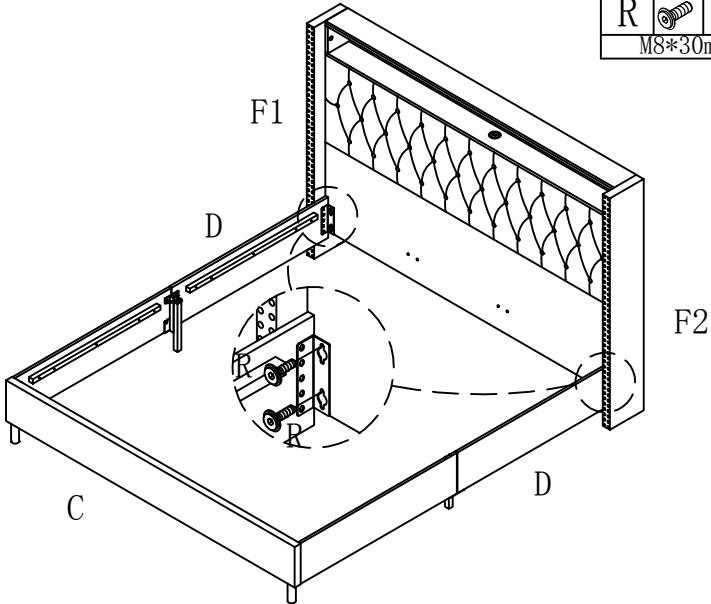
14





ASSEMBLY INSTRUCTIONS

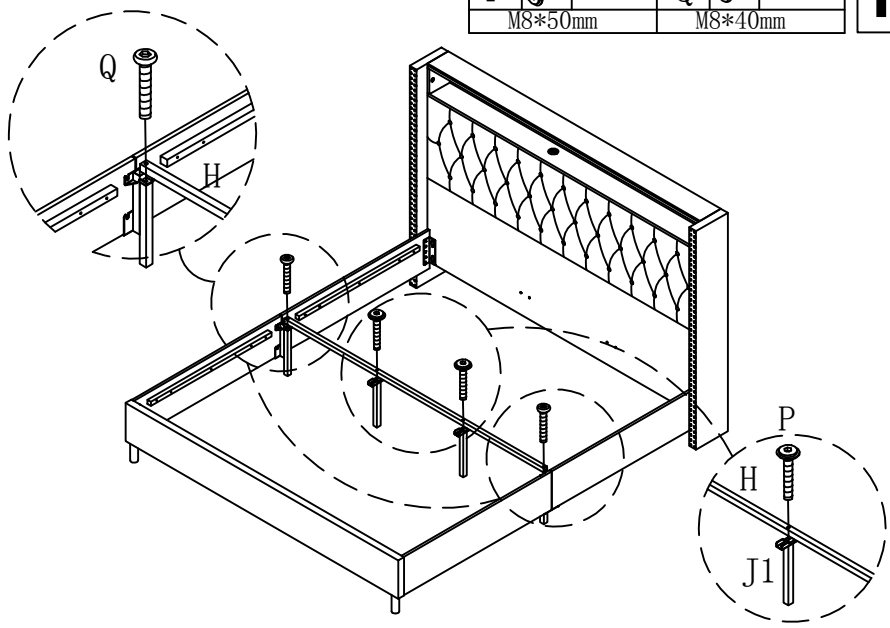
R		4PCS
M8*30mm		

15





P		2PCS	Q		2PCS
M8*50mm			M8*40mm		

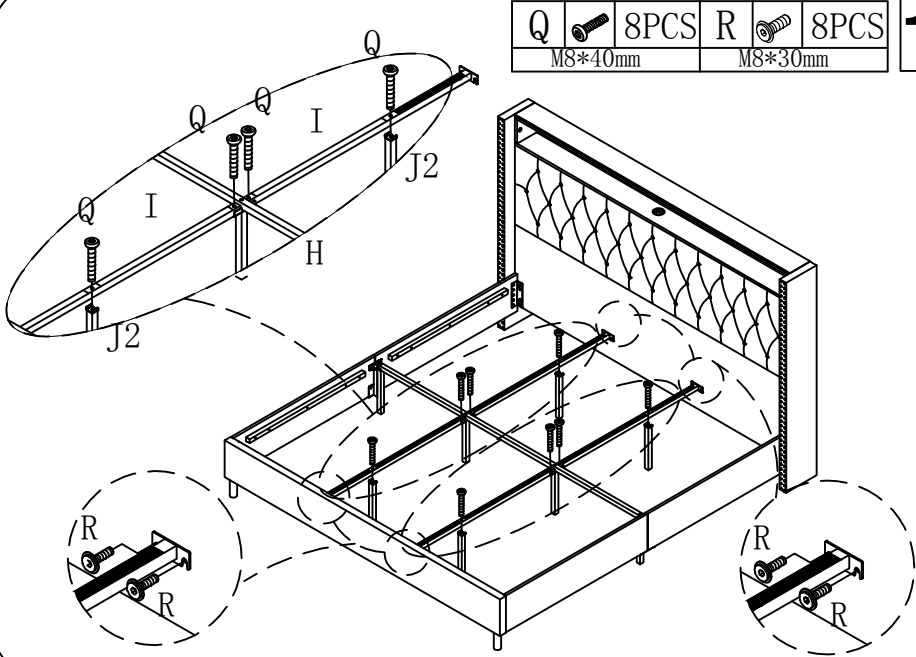
16



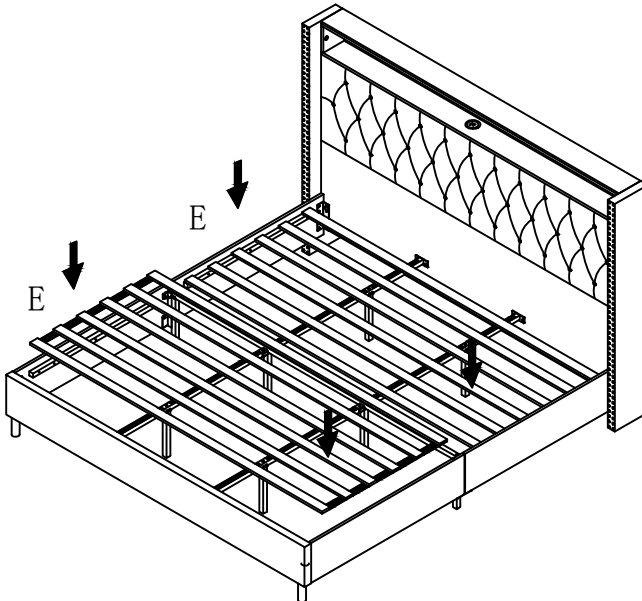
ASSEMBLY INSTRUCTIONS

Q		8PCS	R		8PCS
	M8*40mm			M8*30mm	

17

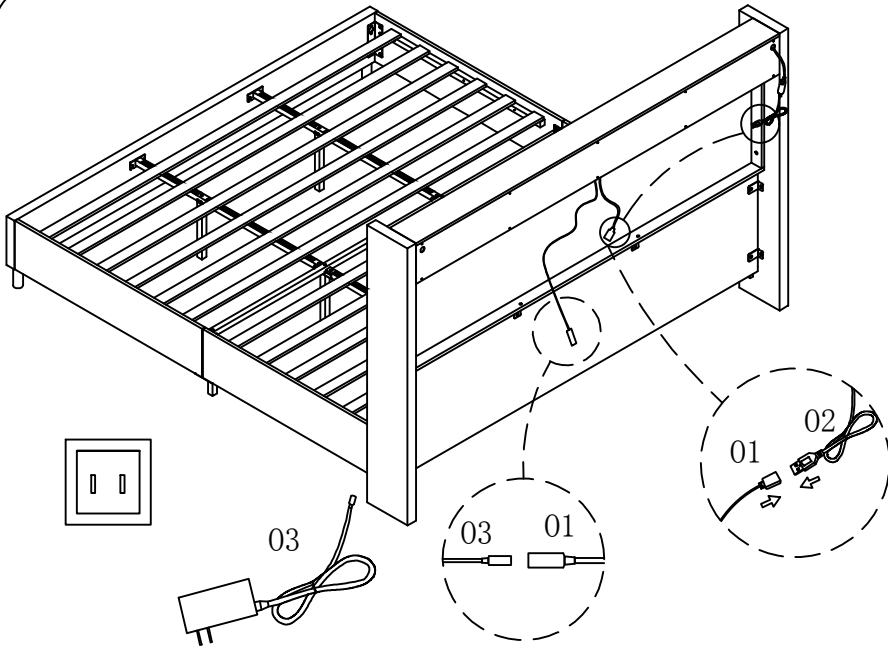


18



ASSEMBLY INSTRUCTIONS

19



20

