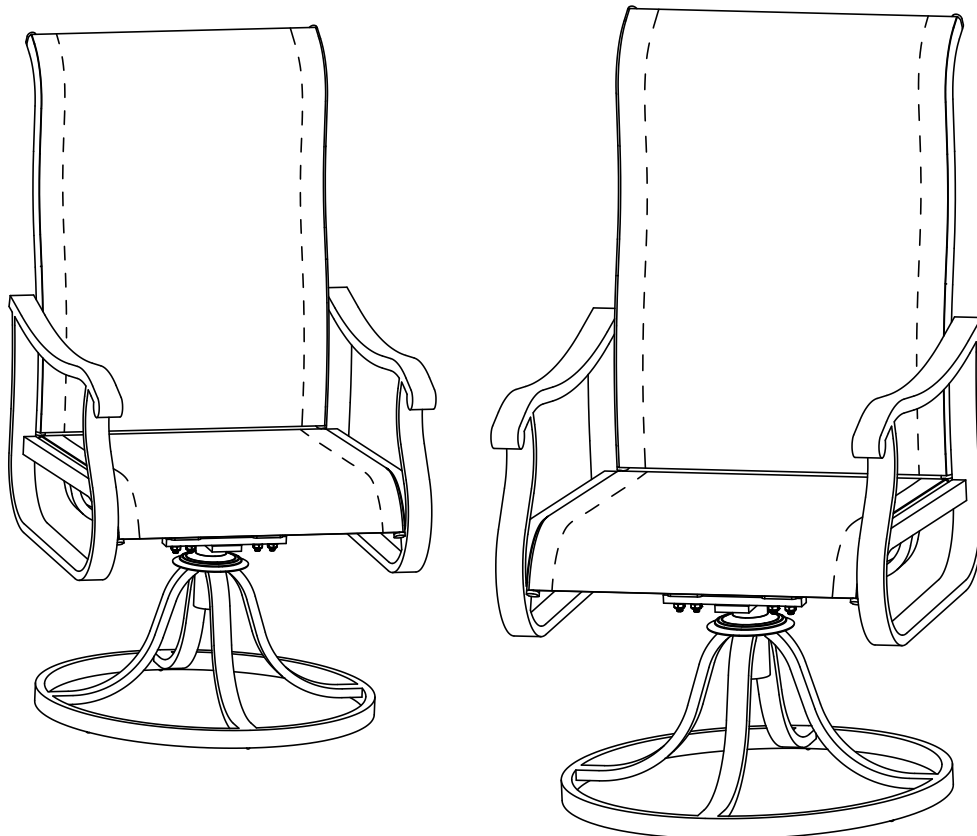


# Patio Dining Chairs set of 2

If you have any questions about the product, please feel free to contact us.

E-Mail: [Patiofurnitureserviceteam@outlook.com](mailto:Patiofurnitureserviceteam@outlook.com)



After-sales mailbox:

[Patiofurnitureserviceteam@outlook.com](mailto:Patiofurnitureserviceteam@outlook.com)

# NOTICE

---

## **PLEASE RETAIN THESE INSTRUCTIONS FOR FUTURE REFERENCE.**

**Dear Customer,**

**Thank you for shopping with us!**

When you receive the product, please make sure that all the parts are included.

Then please browse the entire installation manual before assembling.

If any problem occurs unsatisfactorily as follows:

- A. The outer box is damaged
- B. The product is damaged / bent / cracked while you open the box
- C. The parts / accessories / assembly tools are missing
- D. The product is hard to assemble
- E. The instructions are not clear and can not be referred
- F. The product has functional problems
- G. Other aspects that you are not satisfied with

Please contact: [Patiofurniturestserviceteam@outlook.com](mailto:Patiofurniturestserviceteam@outlook.com)

if you have any questions.

Our team will reply within 24 hours and will do our best to resolve your problem for you.

---

## **SAFTY NOTES**

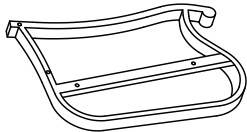
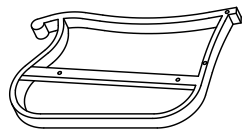
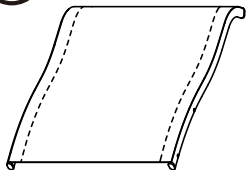
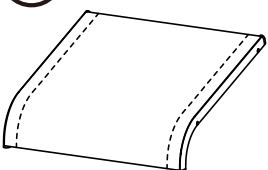

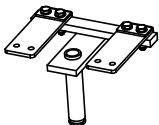
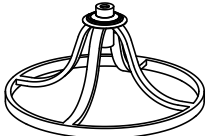
- Handle components with care due to sharp corners.
  - The installation of this product may require the use of electric drills, please pay attention to safety.
- 

## **CARE INSTRUCTIONS**





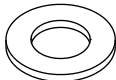
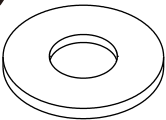
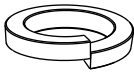
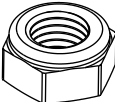
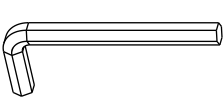
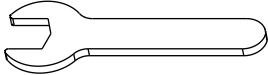
- Assembly with more than one person suggested.
- Please use gloves when assembling the metal frame portion of this unit.
- The metal components of this product have been treated with a rust preventive coating that may feel oily to the touch.
- This coating is not dangerous, but may dirty your hands during assembly.
- We recommend that you wipe metal parts clean with a mixture of warm water and dish detergent prior to assembly. Should your hands become dirty, simply wash with soap and water.

# PART LIST

## Patio Dining Chairs Parts List

				
2 pcs	2 pcs	2 pcs	2 pcs	2 pcs
				
2 pc	2 pc			

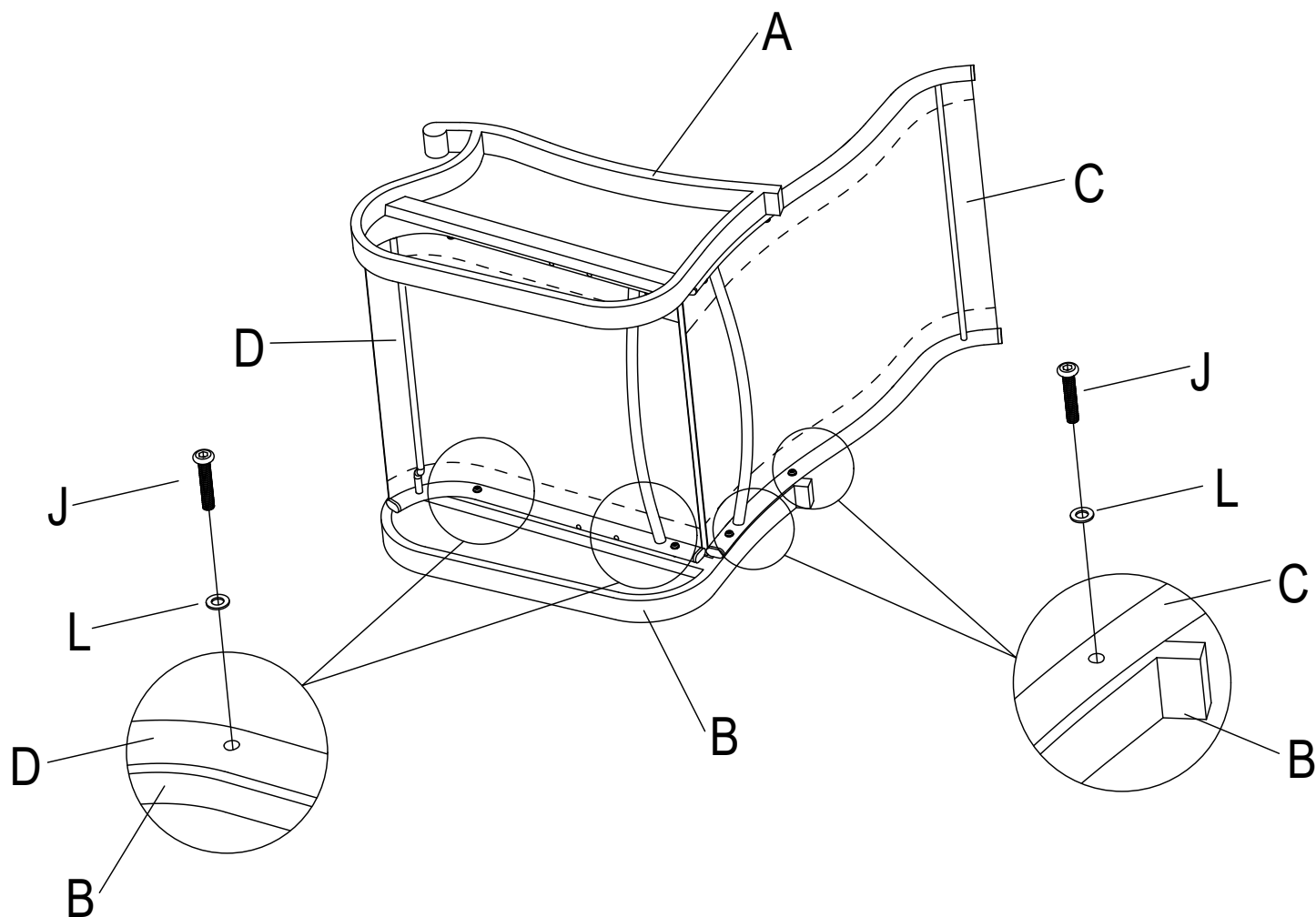
## Patio Dining Chairs Hardware List

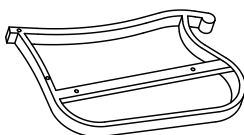
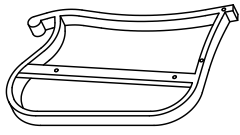
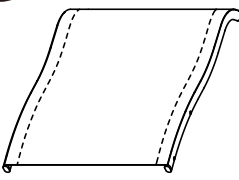
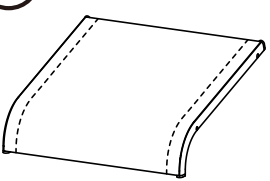

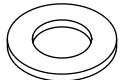
	 <p>M6x15</p>	 <p>M6x30</p>	 <p>M8x40</p>	 <p>M6</p>
8 pcs	8 pcs	16 pcs	8 pcs	24 pcs
 <p>M8</p>	 <p>M8</p>	 <p>M8</p>	 <p>4x4</p>	 <p>M8</p>
8 pcs	8 pcs	8 pcs	1pc	2 pcs

# STEP1

## NOTICE

When installing, please be careful not to tighten the screws immediately!  
You need to make sure that all the screws are secured to 80%, then tighten them!



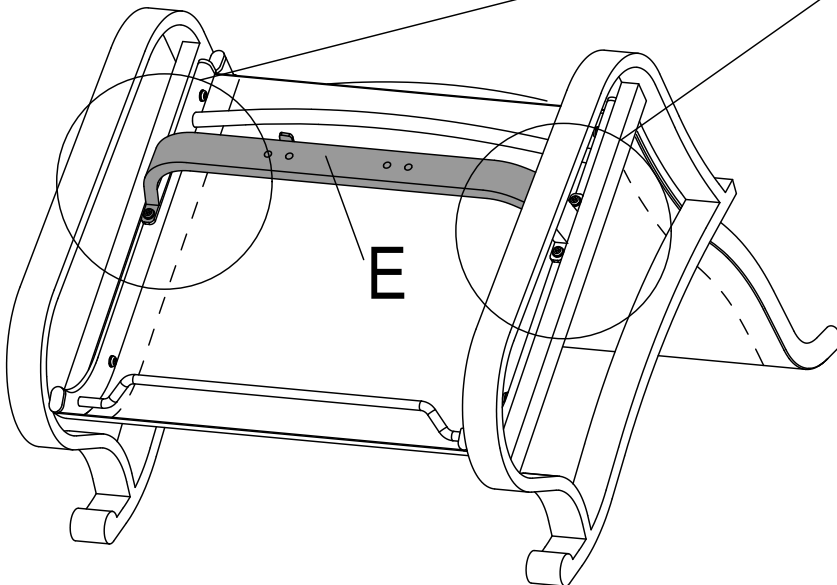
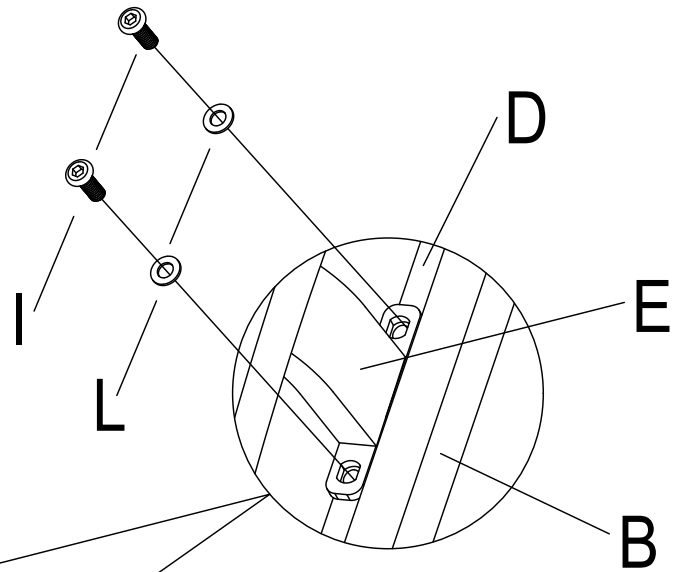
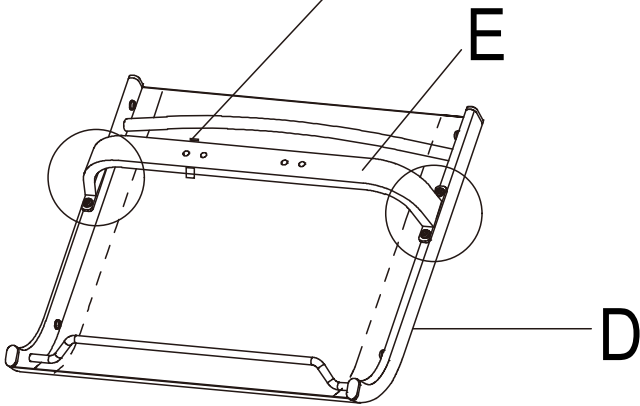
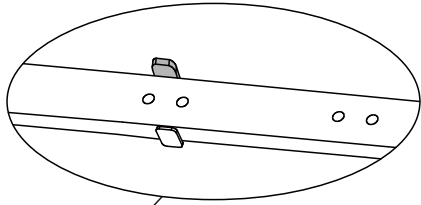
 1 pc	 1 pc	 1 pc
 1 pc	 M6x30 8 pcs	 M6 8 pcs


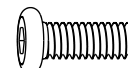

# STEP 2

## NOTICE

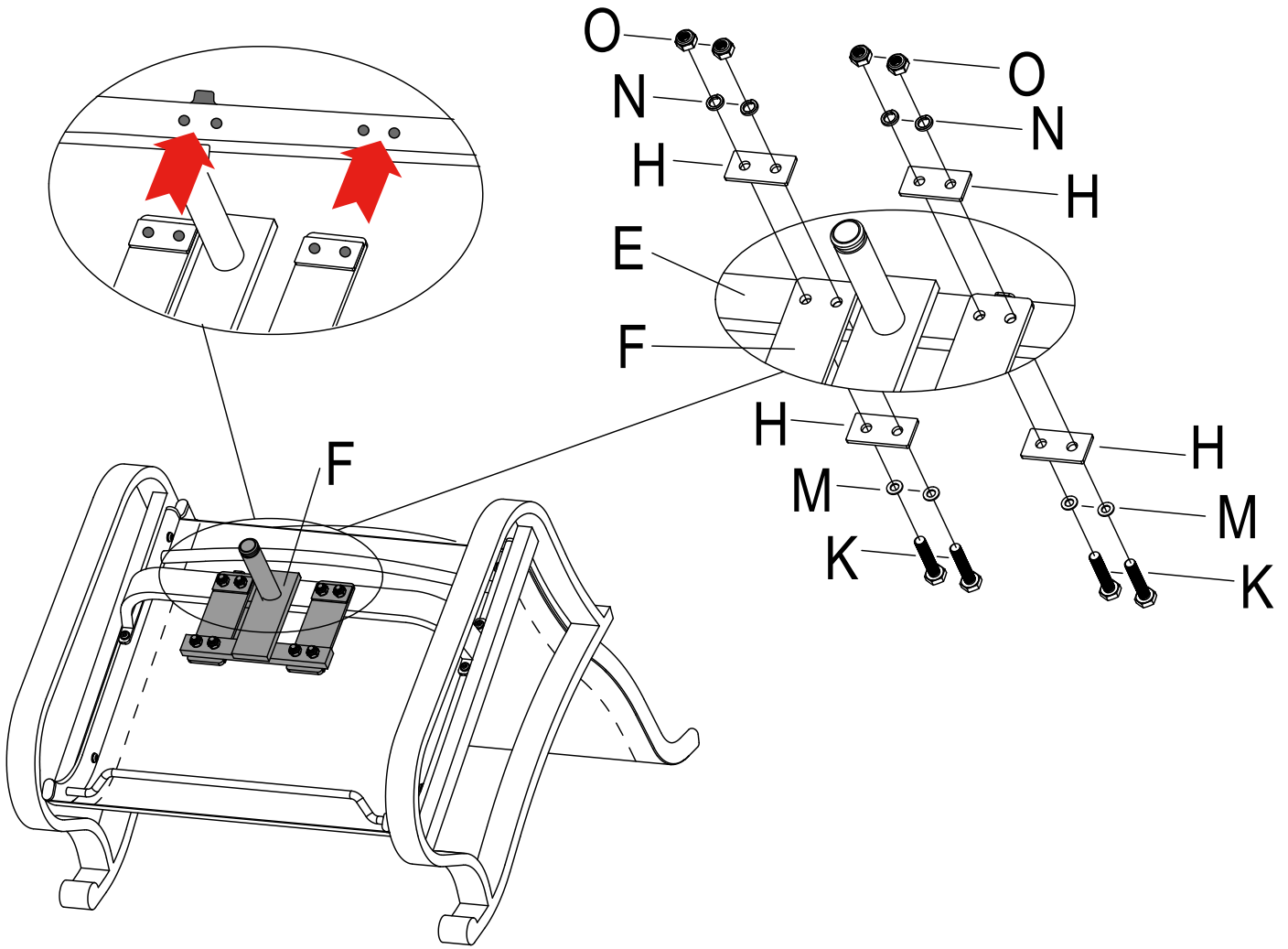


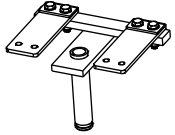

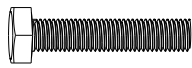
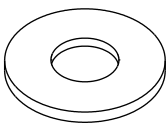
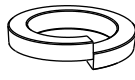

Tab goes this side



<p><b>(E)</b></p>  <p>1 pc</p>	<p><b>(I)</b></p>  <p>M6x15 4 pcs</p>	<p><b>(L)</b></p>  <p>M6 4 pcs</p>
---	---	---

# STEP 3

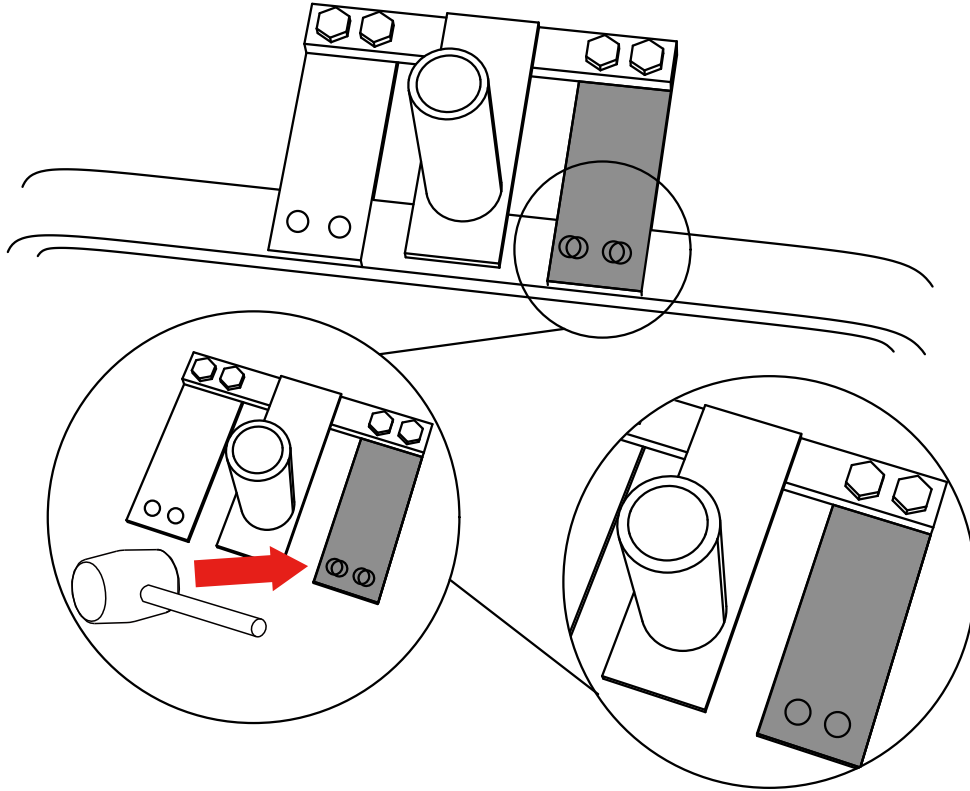


<p><b>F</b></p>  <p>1 pc</p>	<p><b>H</b></p>  <p>4 pcs</p>	<p><b>K</b></p>  <p>M8x40 4 pcs</p>
<p><b>M</b></p>  <p>M8 4 pcs</p>	<p><b>N</b></p>  <p>M8 4 pcs</p>	<p><b>O</b></p>  <p>M8 4 pcs</p>

# NOTICE

## NOTICE

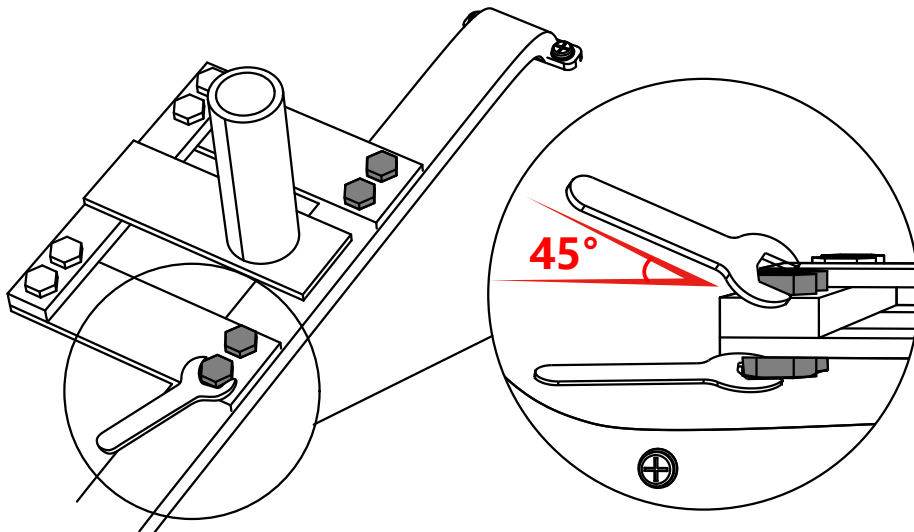
If the screw holes are not aligned. Please hammer on that side to ensure that the screw holes are aligned



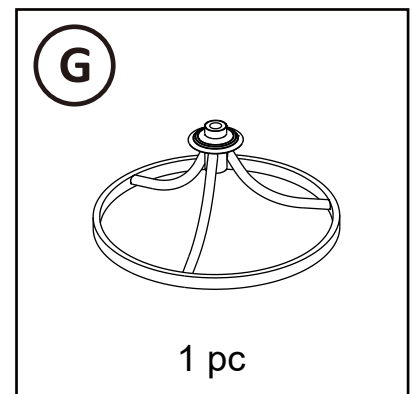
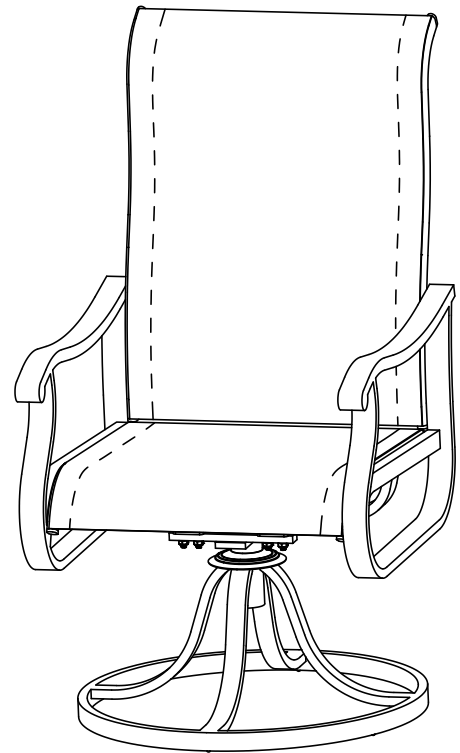
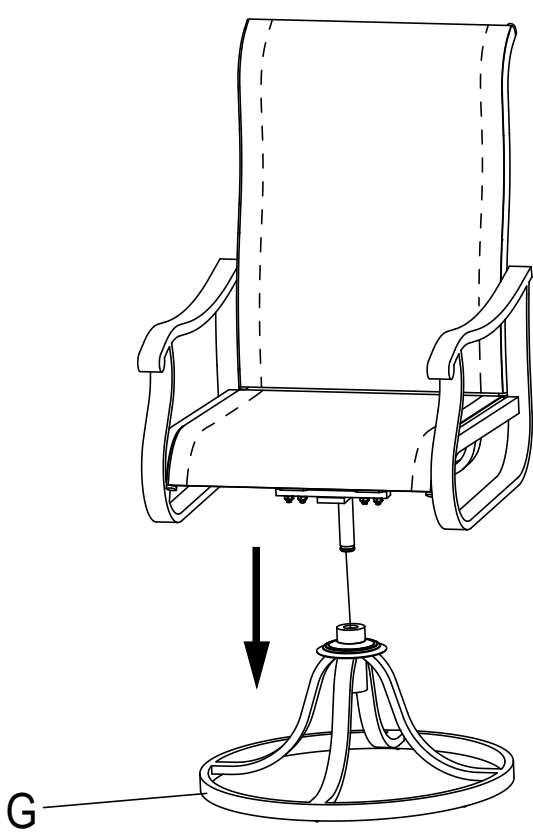
## NOTICE

The upper screwdriver needs to be turned at a 45 degree Angle to tighten the screws.

The bottom screwdriver needs horizontal screws



# STEP 4



## AFTER-SALE SERVICE CARD

If you have any suggestions for our products or find that the products have quality problems, please contact us first, our after-sales team will reply you within 24 hours, and we will do our best to give you solutions until you are satisfied.

### Guaranteed Customer Service

Your shopping experience is very important to us!  
Feel unsatisfied? **Contact us!**  
Have any questions? **Contact us!**

Wanna Share how wonderful our smart products makes your home?  
Share your pictures with us.  
Any suggestions? **Contact us!**  
We gotcha back!

✉ [Patiofurniture Serviceteam@outlook.com](mailto:Patiofurniture Serviceteam@outlook.com)

