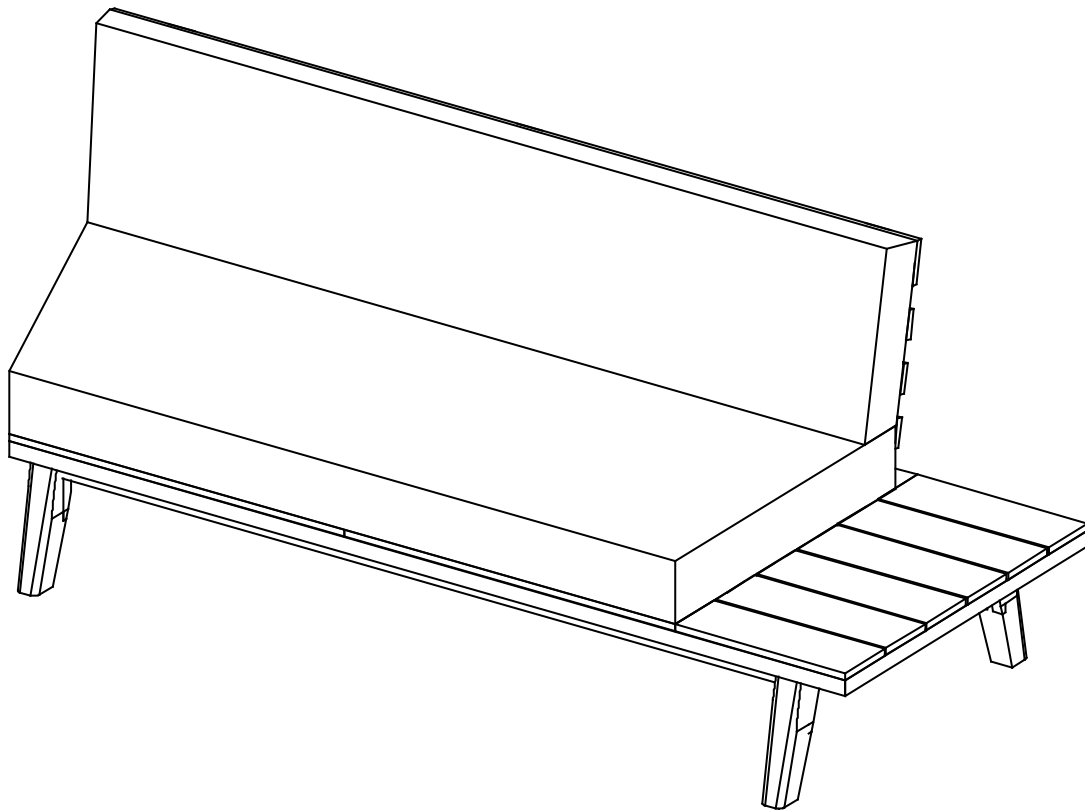


Assembly Instructions

Caution : You must read this before you proceed

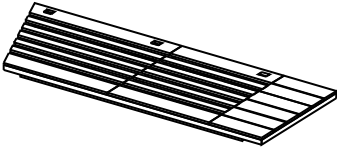
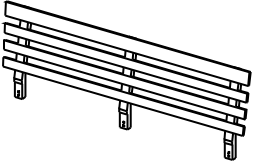


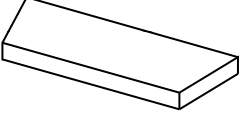
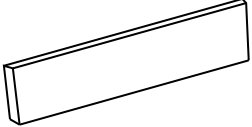
Please look in the Seat Panel for hardware packs.

LOVESEAT - RIGHT








CAUTION : This Chair is NOT a TOY.
Keep your child / children at bay in the process of assembly.
For turning the Chair and to prevent damage to the Chair 02 persons may be needed to execute this action.

Parts List

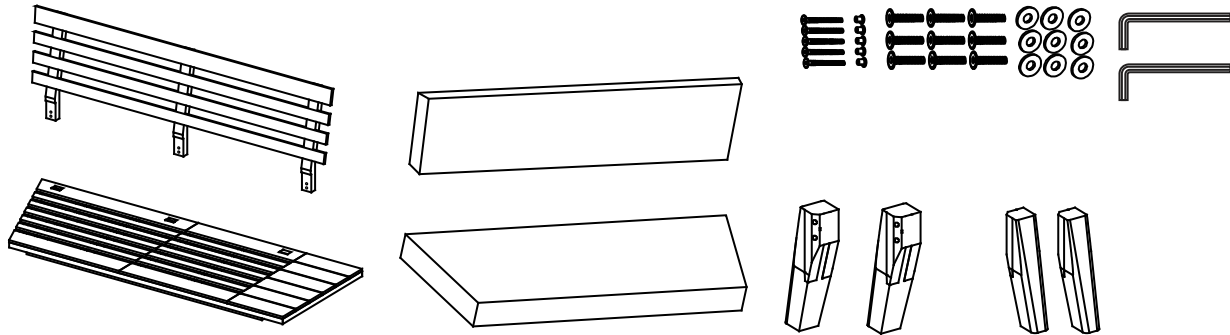
Label	Picture	Description	QTY
A		Seat Panel	1
B		Backrest Panel	1
C		First legs	2
D		Second legs	2
E		Seat Cushion	1
F		Back Cushion	1

Hardware

Label	Picture	Description	QTY
①		Long Bolts (M8 x 60mm)	9
②		Flat Washers (M8xD2mm)	9
③		Short Bolts (M6x40mm)	7
④		Sleeve Nut (M6x15mm)	7
⑤		Allen Wrench	2

Assembly Preparation

Before Beginning Assembly:



- Read instructions, cover to cover-



- Have 2 adults on hand for assembly-



- Do not assemble on flooring or carpet-



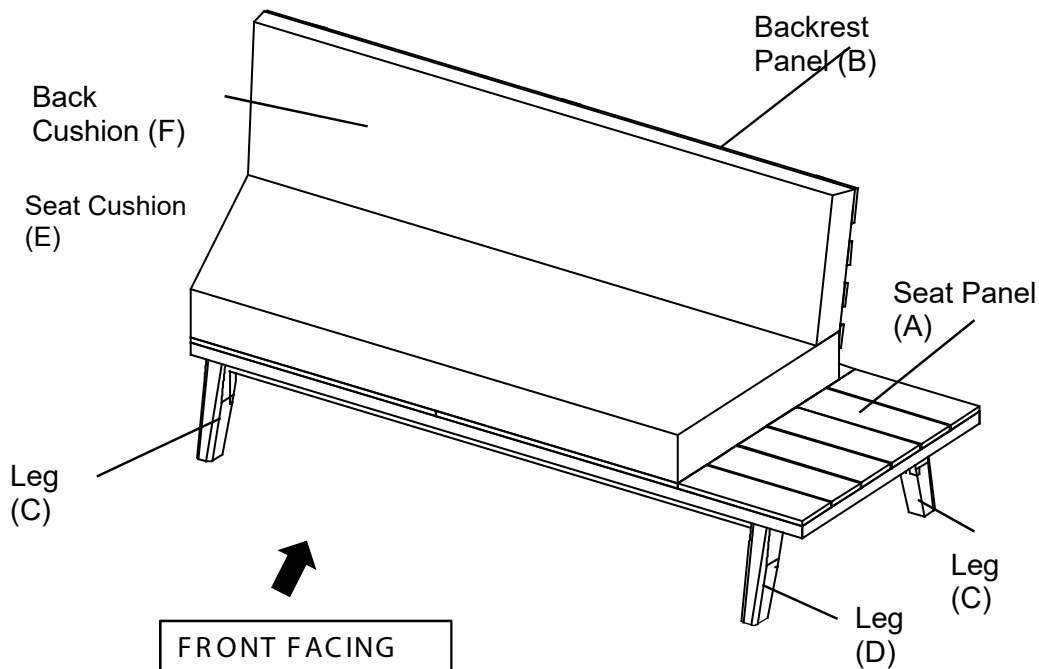
- Assemble on a clean non-marring surface (packing foam)-



- Save all packaging until finished-

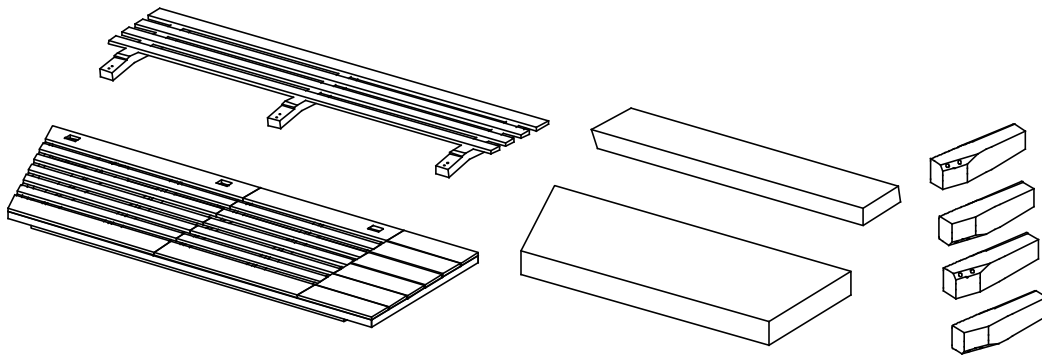
Assembly Steps

Overview



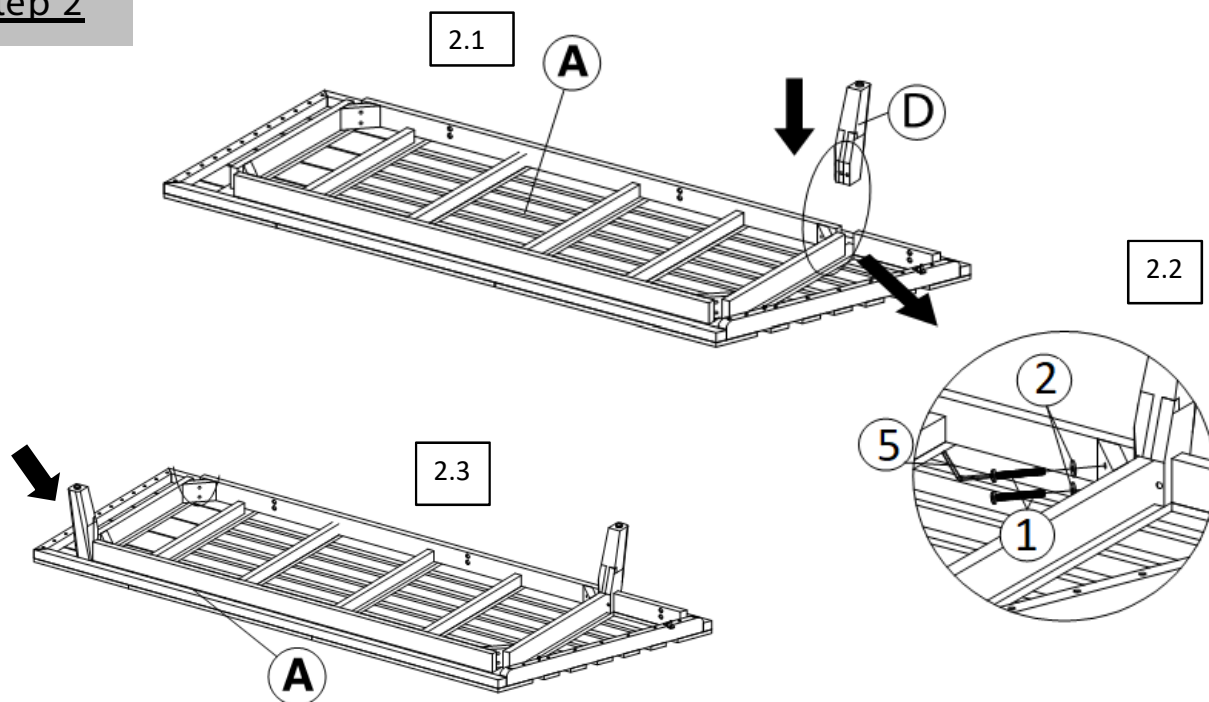
This Chair has multiple parts and may require up to 30 minutes to assemble. To give you an overview of the Chair parts, the above picture is to help you put the various parts into perspective. Please read through the instructions below to familiarise yourself with the parts and steps before assembly.

Step 1



Unpack and place all parts on a clean, non-marring surface.

Step 2



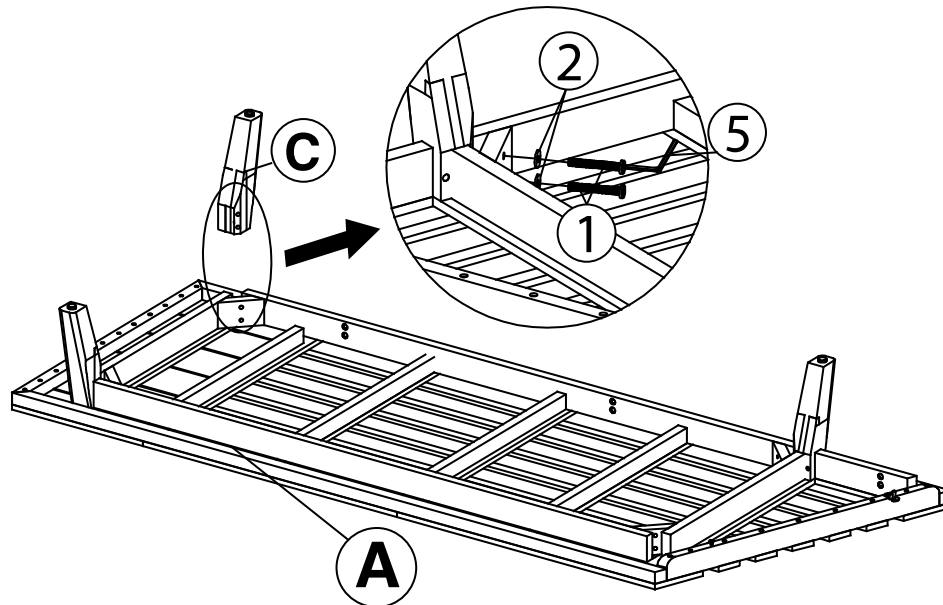
2.1) With assistance from your adult partners, turn the Seat panel (A) up side down as shown in picture above.

2.2) Attach the Second Leg (D) to the Seat panel (A) by using Long bolts (①), Flat washer (②) and Allen Wrench (⑤) as shown in picture above.

2.3) Repeat the same process to attach the remaining Second Leg (D) into the diagonal position in Seat Panel (A).

Do not fully tighten the Bolts

Step 3

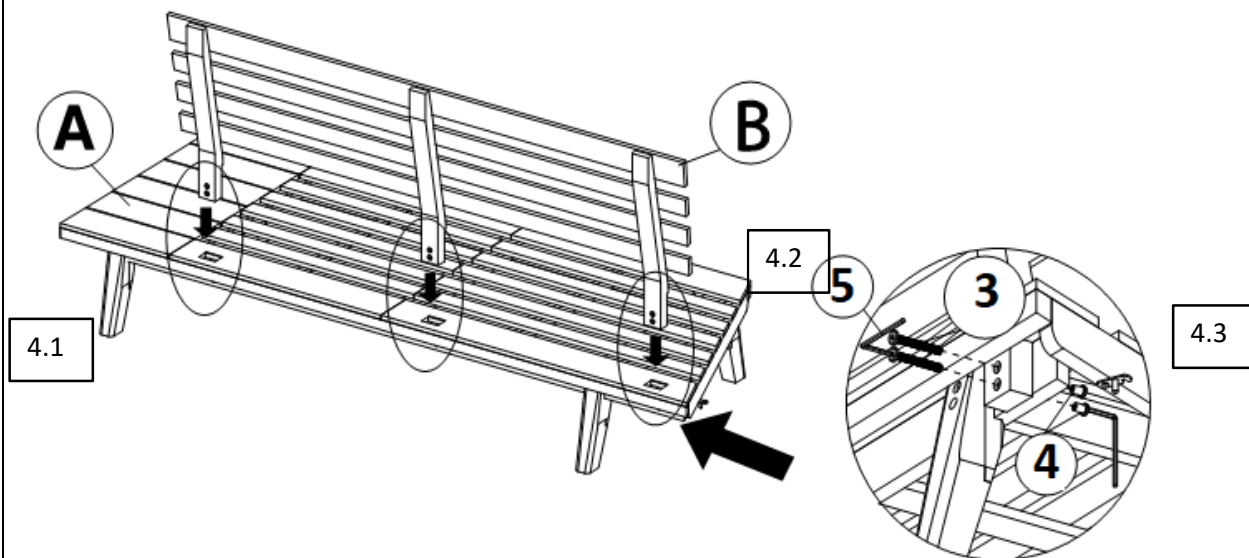


Attach the First Leg (C) to the Seat panel (A) by using Long bolts (①), Flat washer (②) and Allen Wrench (⑤) as shown in picture above.

Repeat the same process to attach the remaining First Leg (C) into the diagonal position in Seat Panel (A).

Do not fully tighten the Bolts.

Step 4



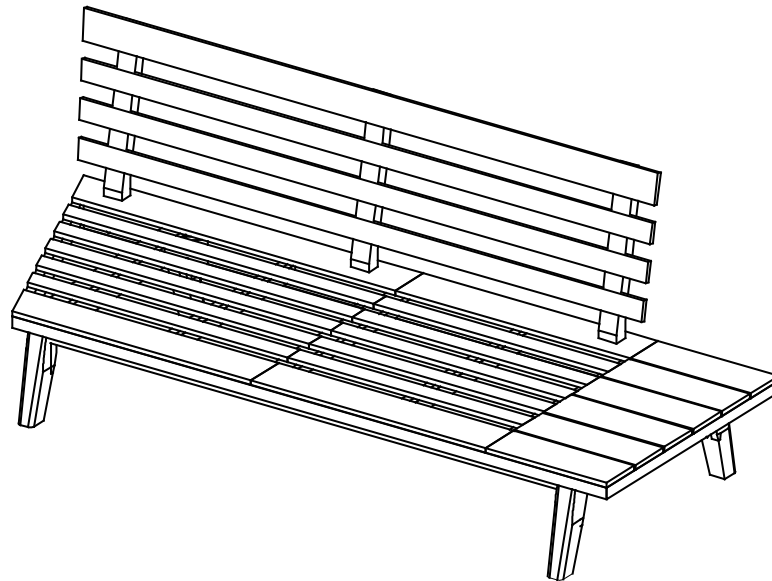
4.1) With assistance from your adult partners, turn the Seat panel (A) right side up.

4.2) Attach the Backrest (B) to Seat panel (A) as shown in picture above.

4.3) Affix the Backrest (B) to Seat panel (A) by using Short Bolts (③), Sleeve nut (④) and Allen Wrench (⑤) as shown in picture above.

Do not fully tighten the Bolts.

Step 5



EXERT pressure, floorwards, onto the Seat.

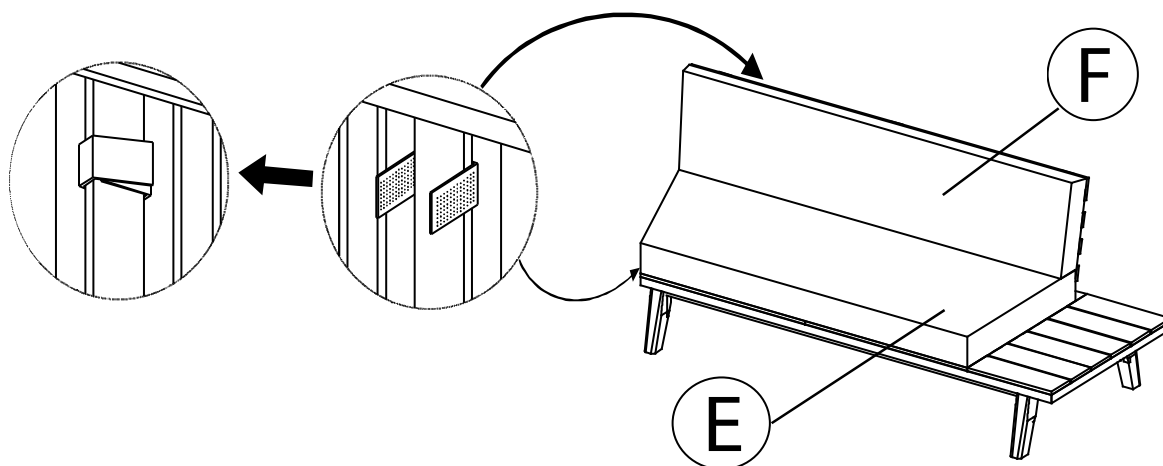
This pressure will help the Legs and Seat panel reach alignment at all joints.

Check for wobbles.

In a sequential manner, gradually tighten all Bolts, Screws until evenly secured.

Inspect the Chair and make sure all parts are adequately connected.

Step 6



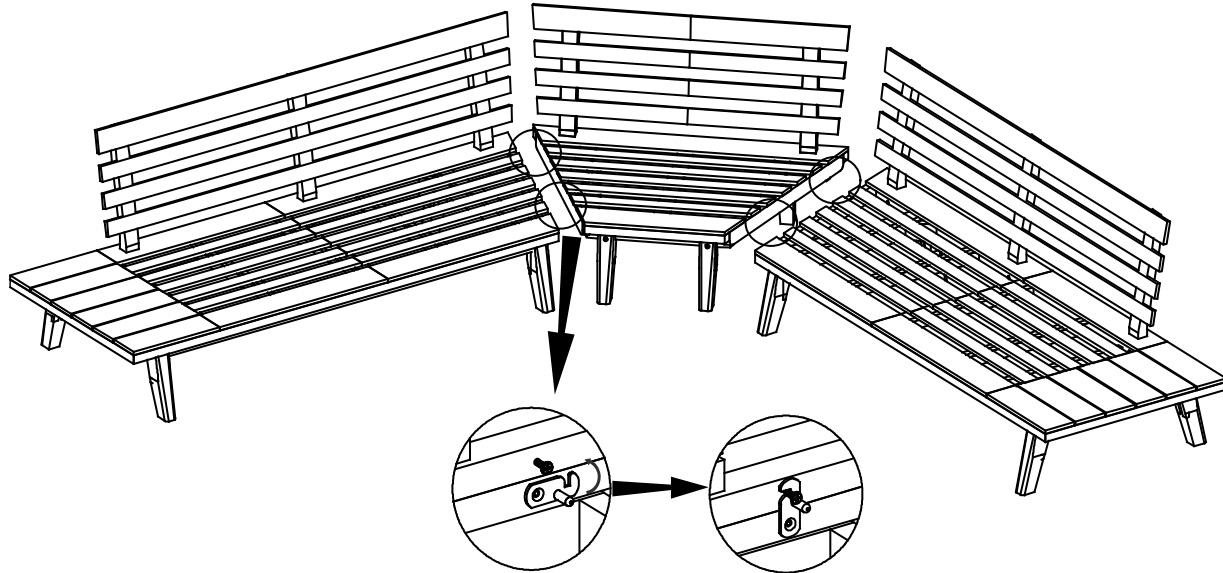
Place Seat Cushion (E), Back Cushion (F) on the chair as shown in picture above.

Then affix the "magic tape straps" around the LOVE SEAT as shown above.

Your Chair is ready for use.

This Chair can only be used on a flat, level surface.









Step 7




Note: This is optional step in case we want to connect all **Corner chair and Loveseats** in a set together and should be done before placing cushion

With assistance from your adult partners, up side down the chairs and using pre-fixed clip to connect the chairs together

Care & Maintenance

-  ● Do not put hot items directly on furniture surface
-  ● Do not clean furniture with harsh cleansers or polish.
-  ● To obtain the longest life span of your outdoor products, minimizing exposure to direct sunlight is recommended.
-  ● Children should not climb or jump on the furniture.
-  ● Do not write on furniture without a padded barrier to protect the surface.
-  ● To obtain the longest lifespan of your outdoor products, avoid extended and lengthy exposure to rain, snow, and direct sunshine. Whenever possible cover the product and /or place under patio or awnings.
-  ● Not for commercial use. For residential use only .
-  ● Stains may be removed with mild soap solution and damp cloth.

-  ● Dust and pick -up spills using a clean, non-colored, lint-free cloth .