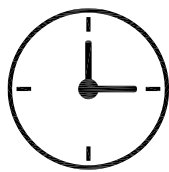
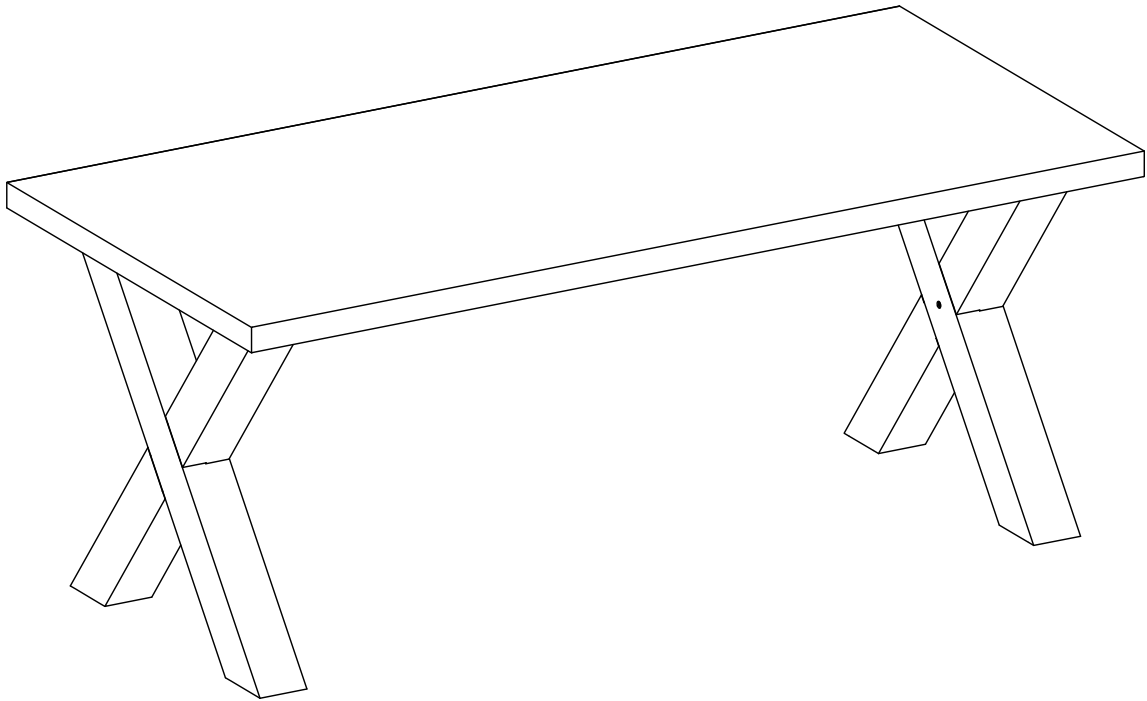


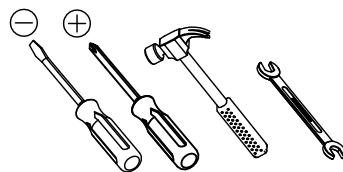
DINING TABLE

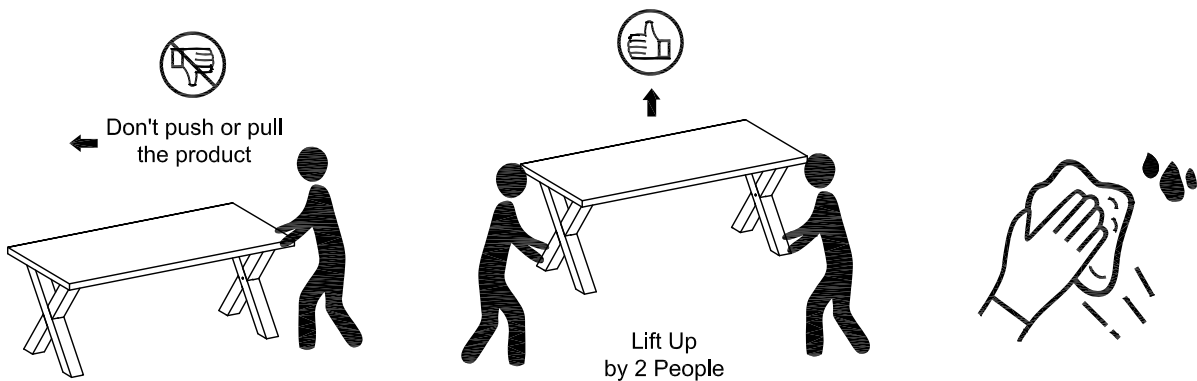
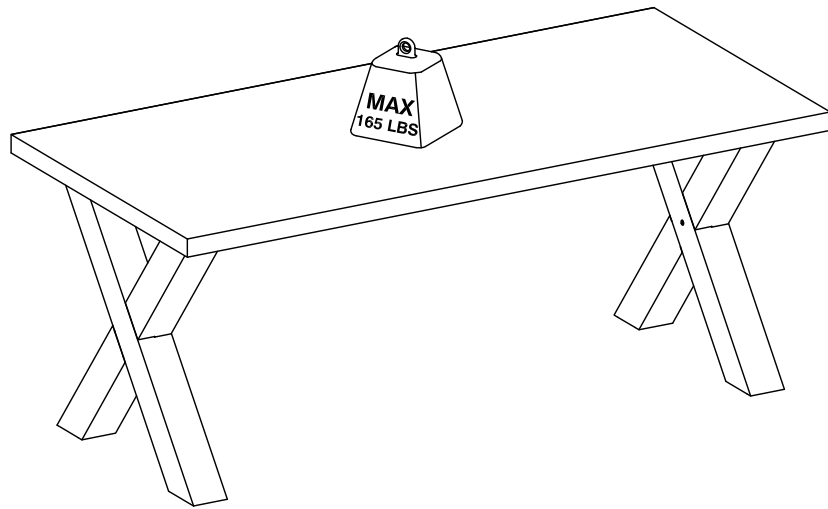


45 Minutes



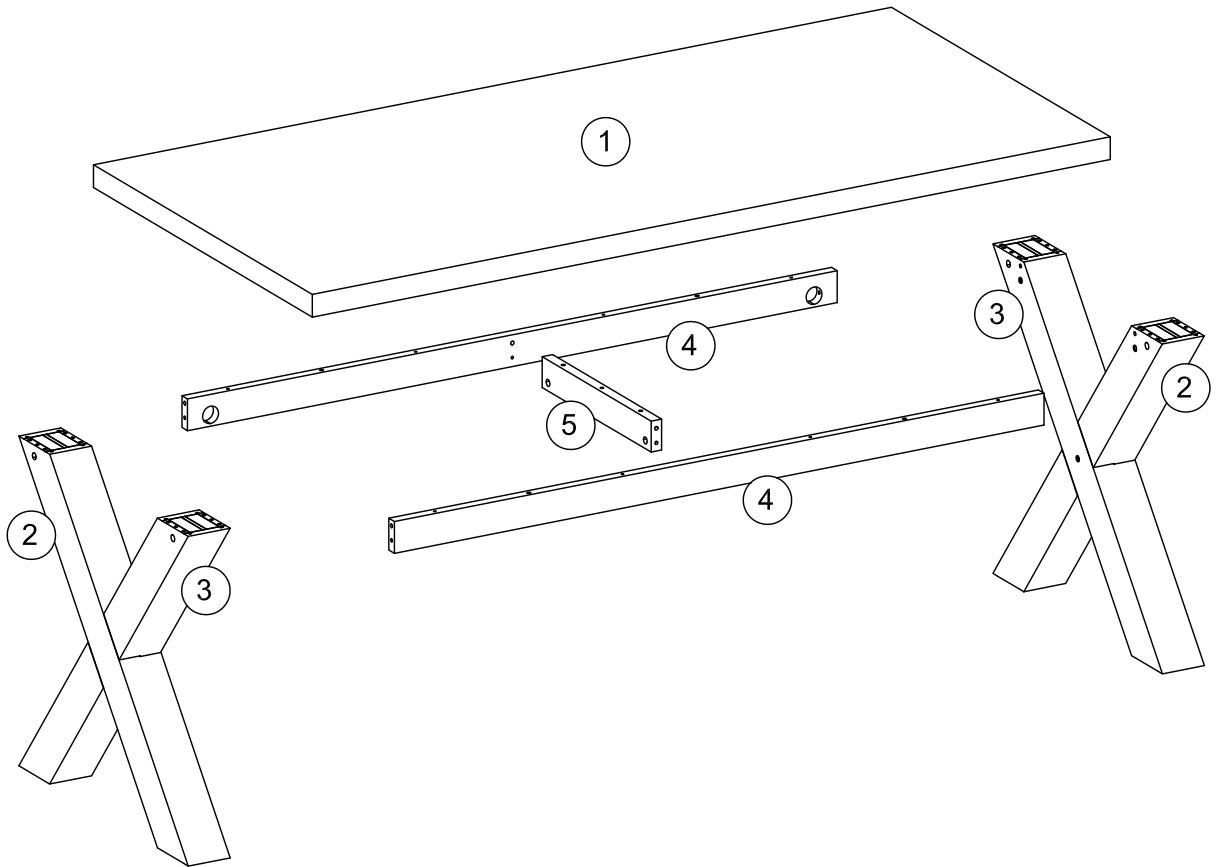
2 People





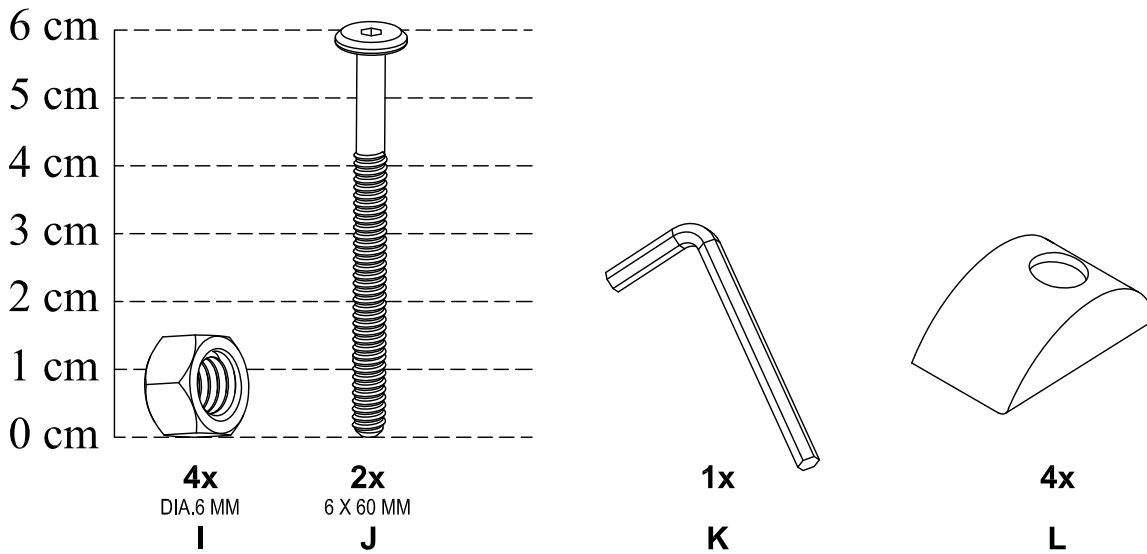
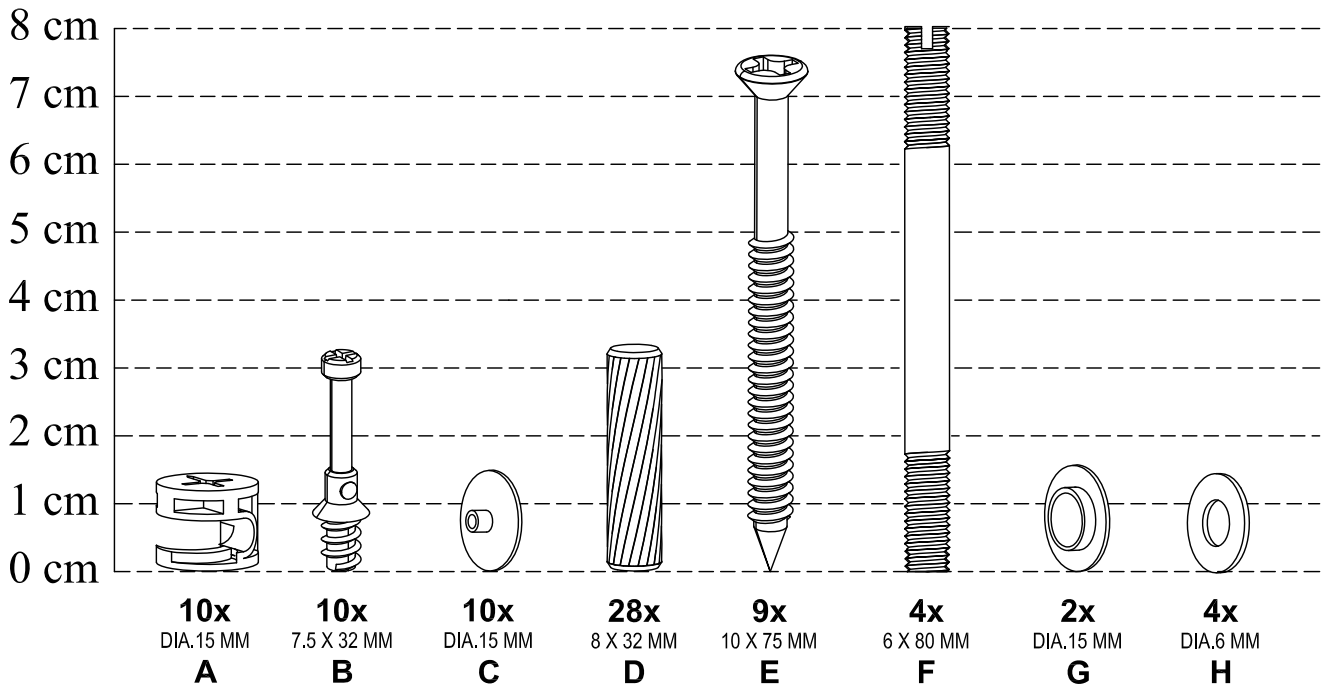
1. The load in the illustration in the **PRODUCT INFORMATION** section is a load at rest with an even distribution on all surfaces.
2. Move this product by **lifting**, do not push because it can damage the legs.
3. When exposed to liquid, immediately clean using a soft cloth.
4. Do not put high temperature objects without using a base.
5. The surface of the product should not be exposed to chemical liquids. Example: thinner, nail polish.
6. Cleaning the product is enough with a dry cloth, but if necessary, you can use a damp cloth instead of a wet one.
7. Surface finishing using paint.
8. Do not place hot objects directly on the surface. Always use a heat sink. There is a risk of surface bubbles due to physical contact with hot objects due to evaporation of the adhesive layer between the wooden planks and the laminate layer.
9. Do not place wet objects directly on the surface. Always use a mat so that the surface does not come into contact with liquid. There is a risk of surface discoloration and coating becoming weathered due to physical contact with wet objects.

PARTS LIST

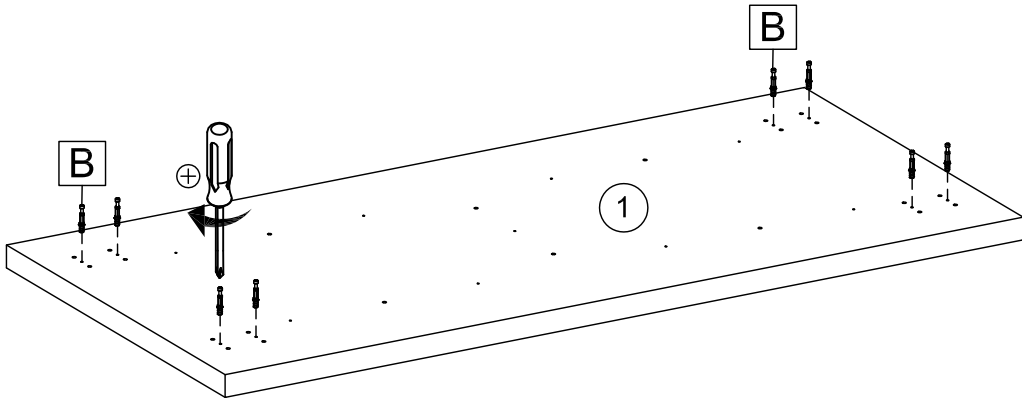
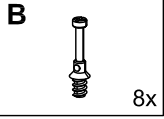


No.	Size	Qty
1	1600 x 900 x 51.2 mm	1
2	1003 x 100 x 100 mm	2
3	1003 x 100 x 100 mm	2
4	1550 x 70 x 23 mm	2
5	450 x 68 x 25 mm	1

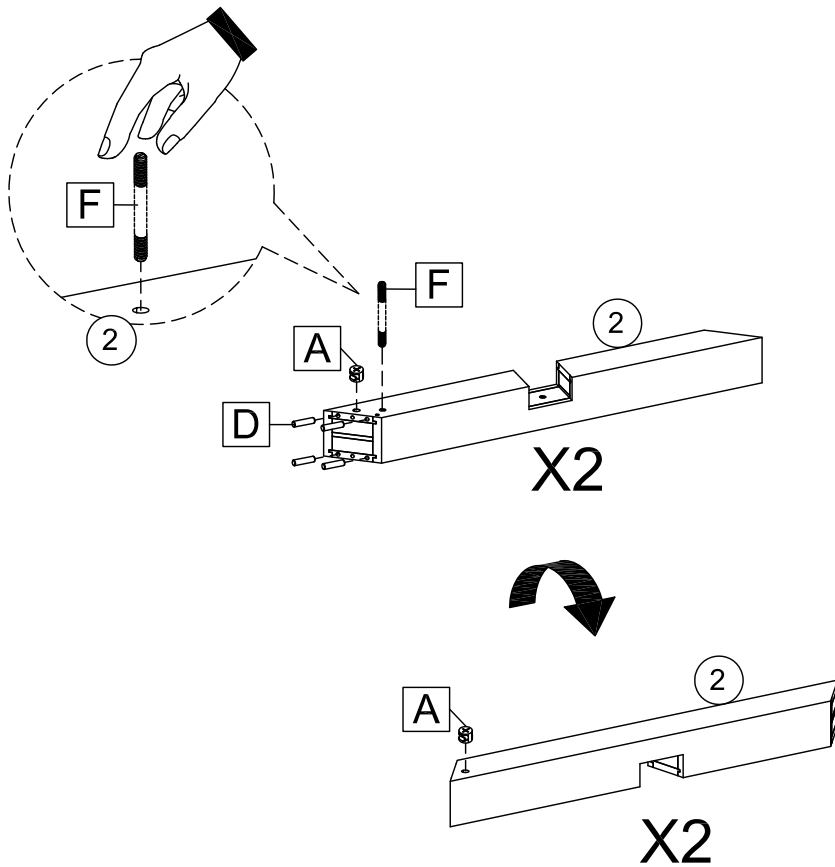
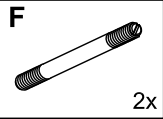
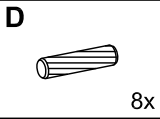
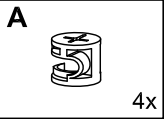
HARDWARE LIST



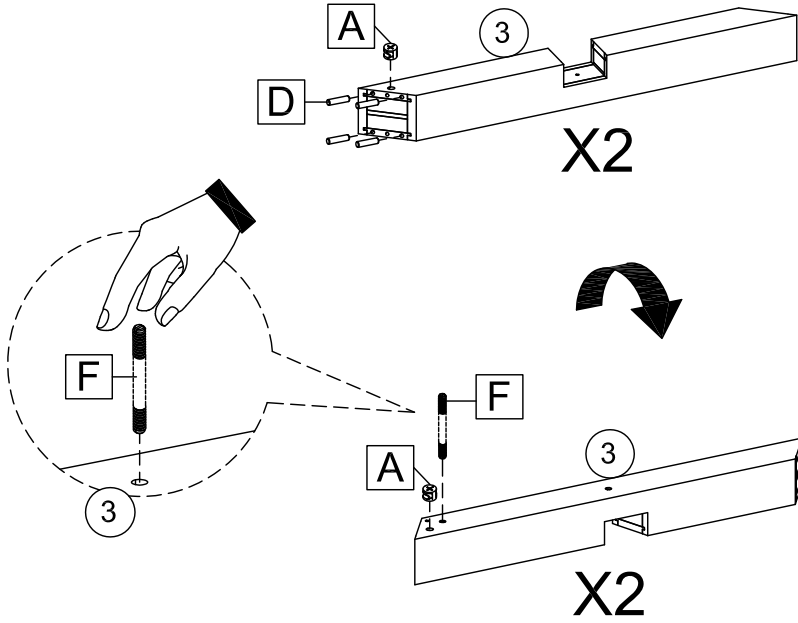
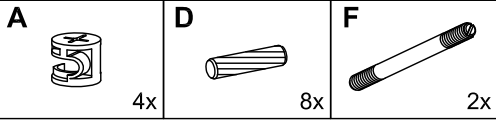
1



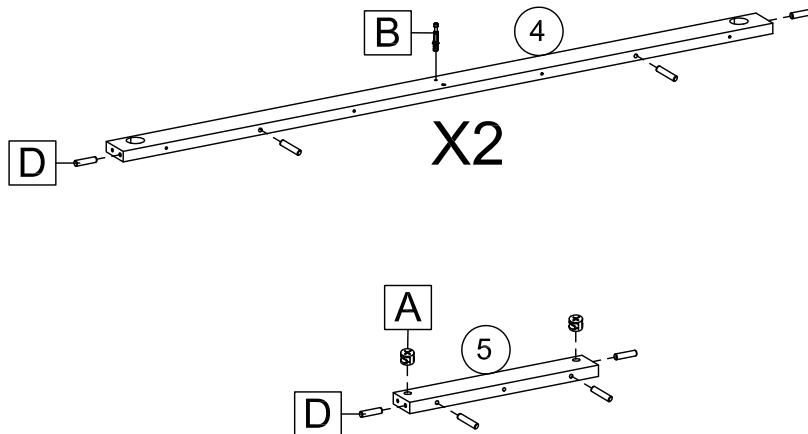
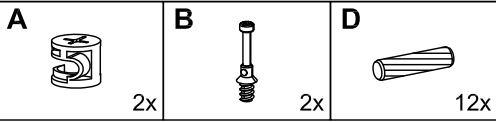
2



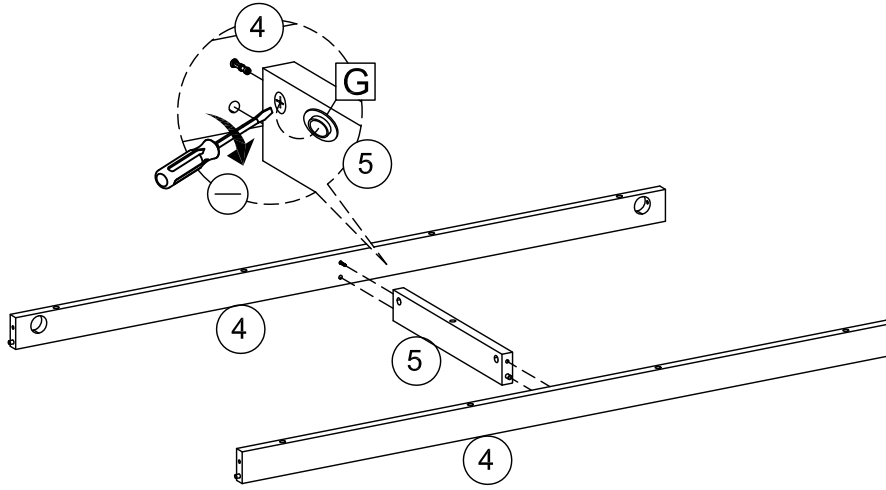
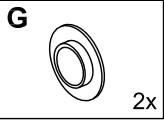
3



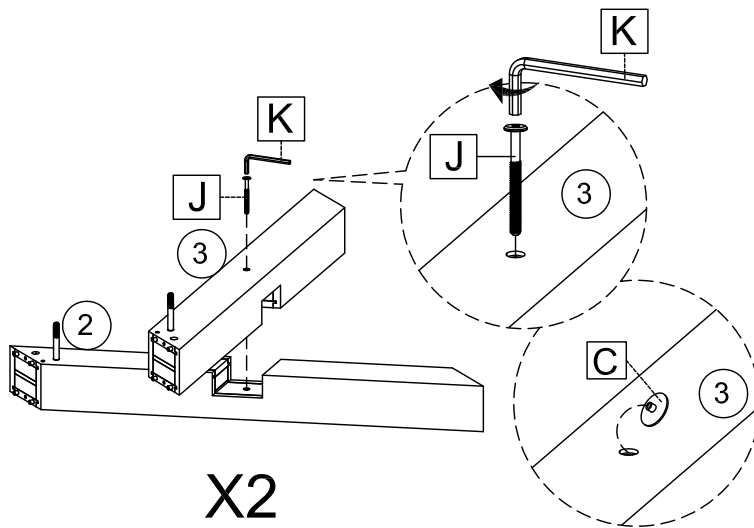
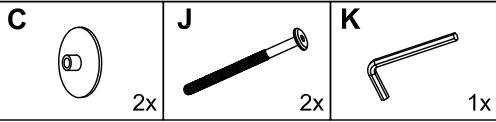
4



5



6



7

H



4x

I

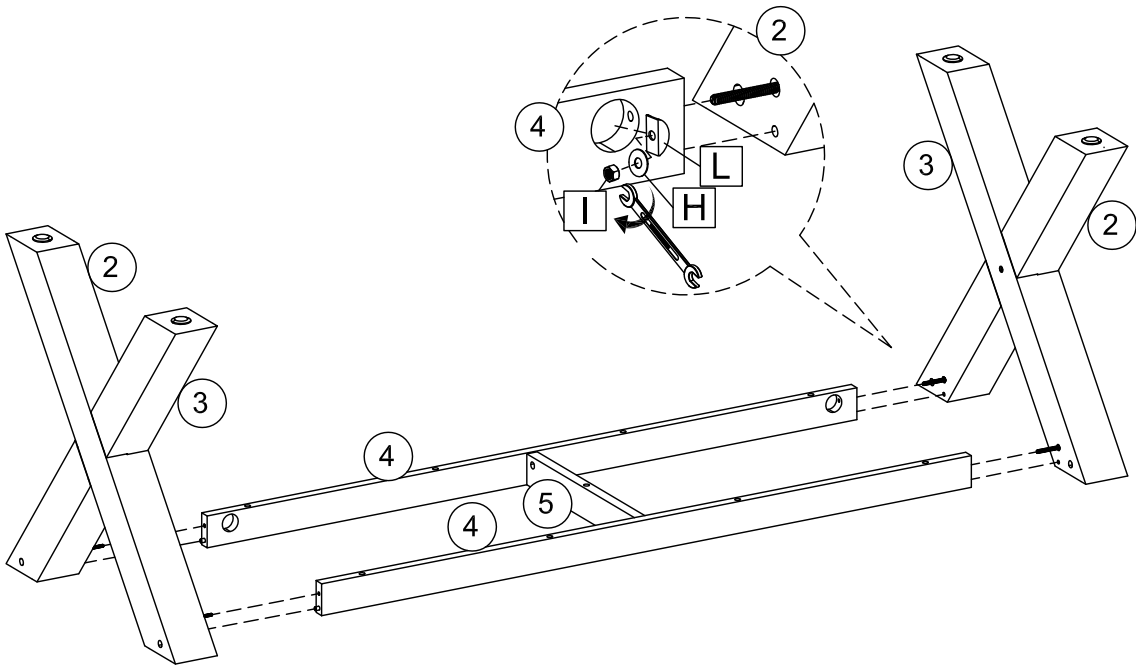


4x

L



4x



8

C



8x

E



9x

