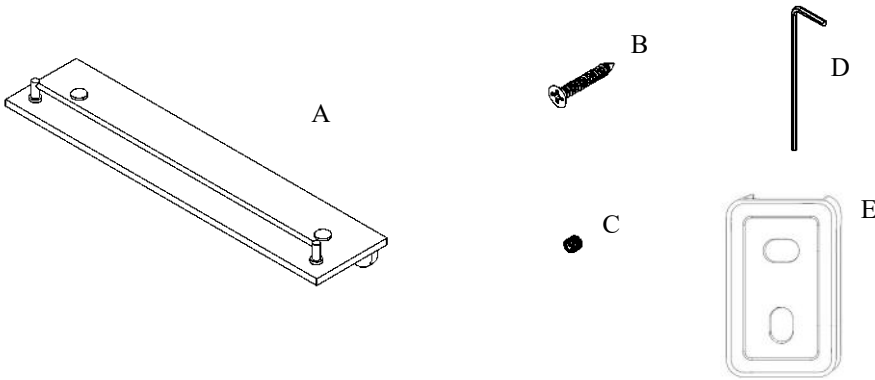


# Summit Glass Shelf Installation Guide



Parts Included	QTY
A - Glass Shelf	1
B - Screw	4
C - Set Screw	2
D - Allen Key	1
E - Bracket	2

Description	Finish	Weight (lb)	WxHxD (mm)	WxHxD (Inches)	Metal Type
Summit Glass Shelf	Chrome	3.30	520 x 97 x 133	20.4 x 3.8 x 5.2	Brass
Summit Glass Shelf	Brushed Nickel	3.30	520 x 97 x 133	20.4 x 3.8 x 5.2	Brass
Summit Glass Shelf	Matte Black	3.30	520 x 97 x 133	20.4 x 3.8 x 5.2	Brass

**Warranty:** 2 Years

**Care & Maintenance:** A periodic wash using warm water and a soft cloth will retain the high quality finish of your product for many years to come. ON NO ACCOUNT should any household bleaches, detergents, abrasive polishes, steel wool or other cleaning agents be used on this item.

