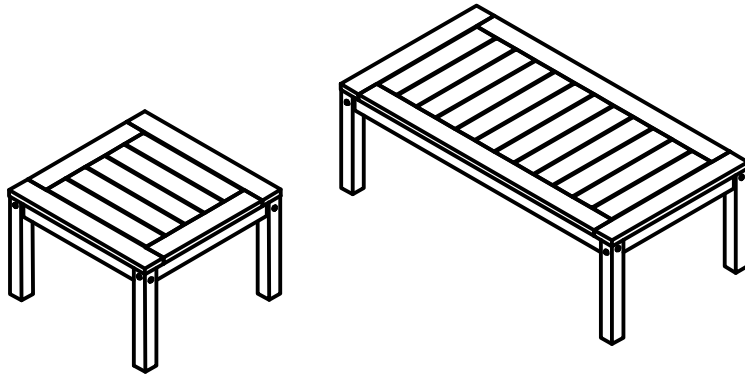


# Adirondack Side/Coffee Table

## Assembly Guide



\*Actual Style May Vary from the One Pictured in this Guide

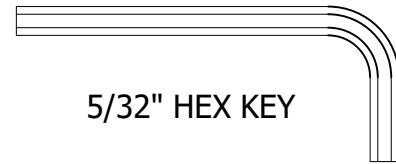
### HARDWARE INCLUDED



3" LAG SCREW

Qty: 8

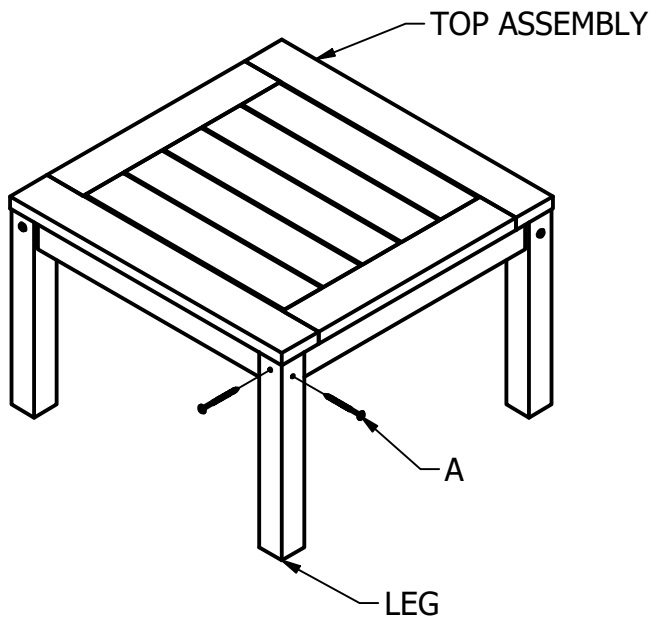
### TOOLS INCLUDED



5/32" HEX KEY

### IMPORTANT!

DO NOT fully tighten bolts until all bolts are started.



1) Attach leg to table top using (2) A bolts. Repeat for remaining (3) legs.

Note: Line up holes in the legs with the pre-drilled holes in the tabletop.

For information on Care and Cleaning or to Register your product, please visit our website.

07/24/2024