




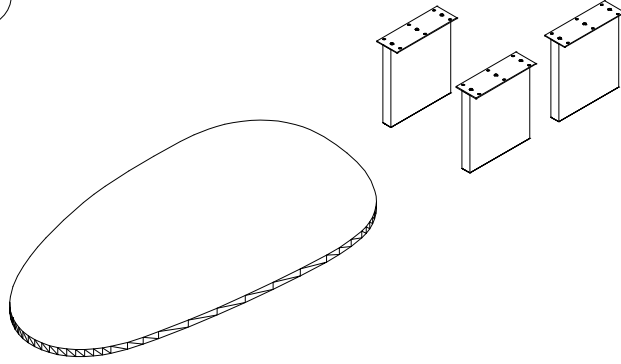


Assembly Instruction For Telma Coffee Table

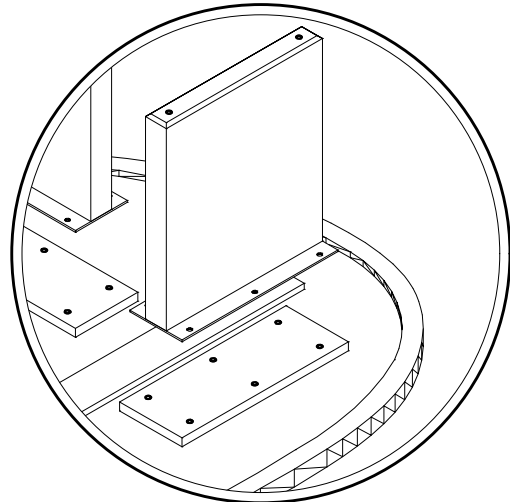
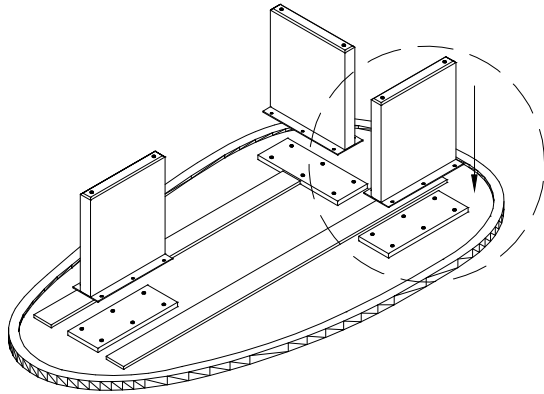
Hardware List				
A		Top		1
B		Leg		3
C		Bolt	1/4"x5/8"	18
D		Allen Wrench	5/32"	1
E		Leveler		6

NOTE: Legs are interchangeable

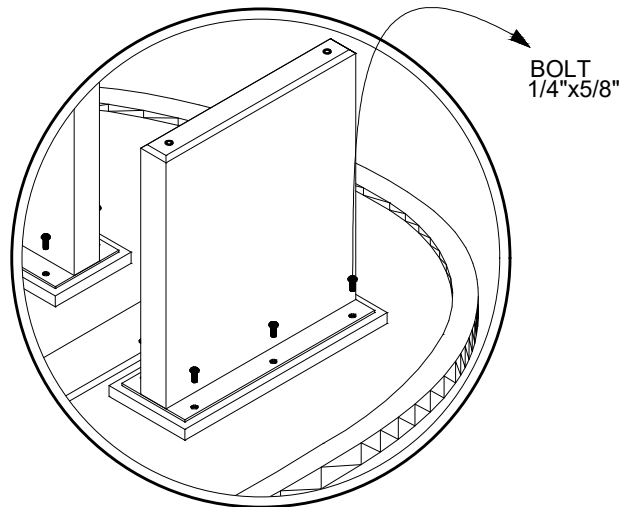
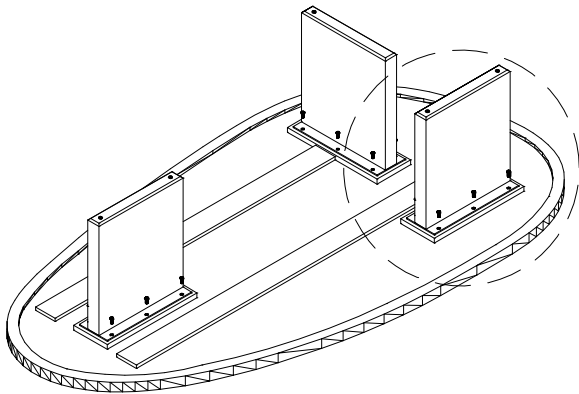
1



2



3



IMPORTANT
DO NOT TIGHTEN THE BOLTS
UNTIL ALL ARE INSTALLED AND
THE LEGS ARE CENTERED

