

WARNING

** WE RECOMMEND INSTALLATION OF THIS LIGHTING FIXTURE BE DONE BY A LICENSED ELECTRICIAN **

- * Switch off the main electrical supply from the main fuse box / circuit breaker before installation.
- * Inspect item carefully before attempting to install.
- * If there is any damages or obvious defects, do not install.
- * Item may not be returned once it has been installed.




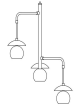





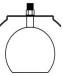
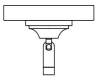

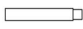

CARE AND MAINTENANCE

- * To clean the outside of the fixture, use a dry or slightly dampened clean cloth (use clean water, never a solvent) to wipe the surface of the fixture.
- * To clean the inside of the fixture, first disconnect power to the fixture by turning off the circuit breaker or by removing the fuse at the fuse box. Next, use a dry or slightly dampened clean cloth (use clean water, never a solvent) to wipe the interior surface of the fixture.
- * Do not use any cleaners with chemical, solvents or harsh abrasives. Use only a dry soft cloth to dust or wipe carefully.

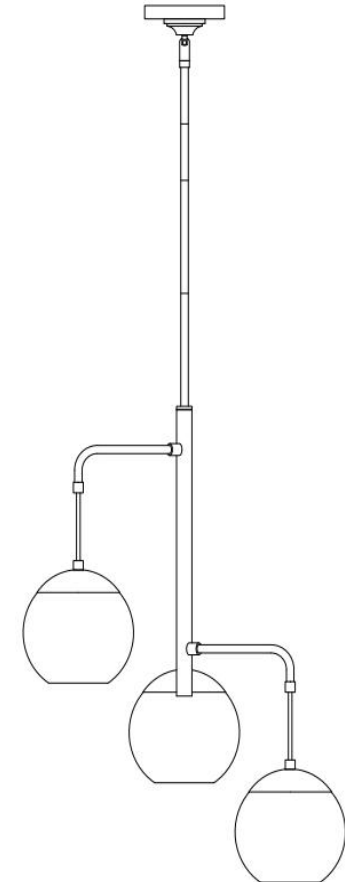
NOTICE& IMPORTANT SAFETY INSTRUCTIONS

- * Please make sure that you have all parts indicated before you begin assembly of this item
- * This item should be assembled on a soft surface to prevent scratching the finish during assembly
- * To reduce the risk of fire, electrical shock or injury to persons or property, please follow the guideline below for safe use and installation
- *The external flexible cable or cord of this lamp cannot be replaced
If the cord is damaged, the lamp shall be destroyed

Part List and Hardware List

PIECE	DESCRIPTION	PICTURE	QUANTITY	PIECE	DESCRIPTION	PICTURE	QUANTITY
A	Mounting Plate		1X	H	Long Stem		2X
B	Mounting Screw		2X	I	Lamp Body		1X
C	Ground Screw		1X	J	Nut		3X
D	Wire Connector		3X	K	Cap		3X
E	Retaining Screw		2X	L	Socket Bracket		3X
F	Canopy		2X	M	Glass Shade		3X
G	Short Stem		2X	N	Bulb		3X

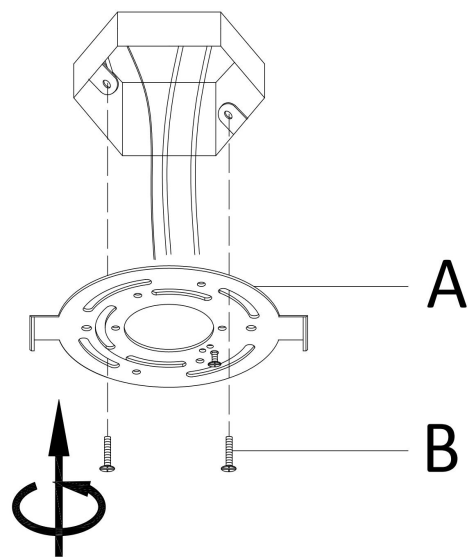
37.5-67.5"H



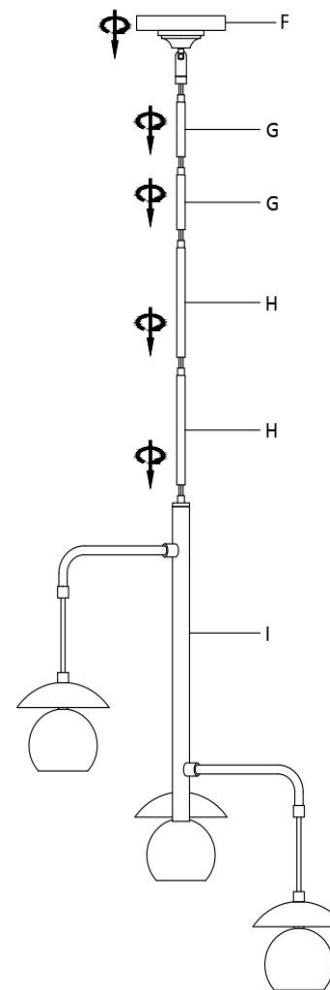
PREPARATION

- * Before beginning assembly of product, make sure all parts are present. Compare parts with package contents list and hardware contents list.
- * If any part is missing or damaged, do not attempt to assemble the product.
- * Estimated Assembly Time: 20 minutes.
- * If you are having difficulty, our friendly Customer Care team is always here to help

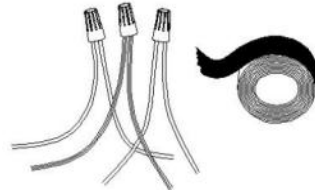
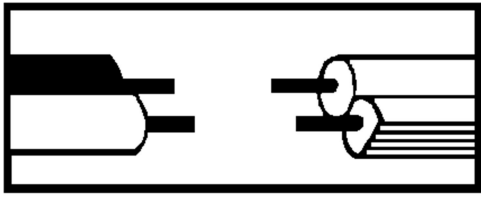
NOTE: PLEASE USE TYPE "B" BULB MAX 25-WATT OR LED BULB MAX 5-WATT, THERE IS LED 4-WATT BULB IN THE BOX



Step 1: Unpack all parts from cartons carefully.
Fix the Mounting Plate(A) to the junction box with Mounting Screw (B).



Step 2: Screw the Long Stem (H) and Short Stem (G) to the Lamp Body (I). Make sure to feed the branchwires of the fixture through the stems during assembly. Remove or add stems to adjust the height. Then screw the canopy (F) to the stem.



Step 4: Wire connection

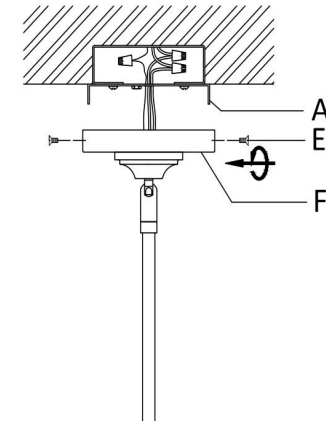
Connect fixture neutral wire (ribbed) to the outlet box neutral wire (usually white) using a wire connector (D).

Connect fixture hot wire (smooth with markings) to the outlet box hot wire (usually black) using a wire connector (D).

CAUTION: Do not reverse the hot and neutral connections

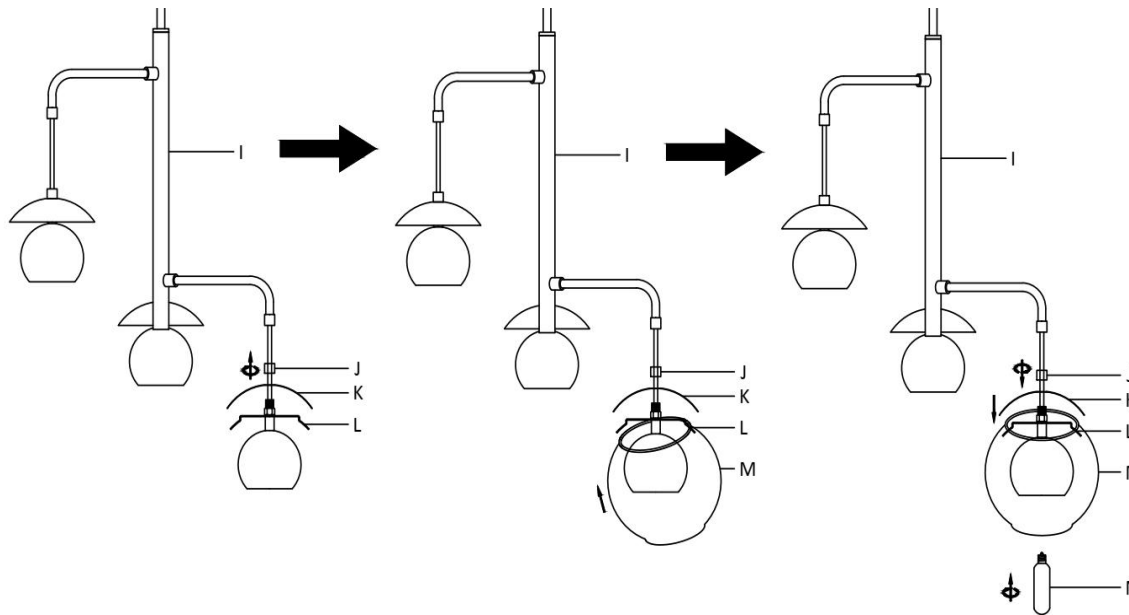
Grounding Instructions:

Wrap ground wire from outlet box around green ground screw(C) on mounting bracket, no less than 2" from wire end. Tighten ground screw. If fixture is supplied with a ground wire, connect to outlet ground wire with a wire connector (D).



Step 4: Tuck wires inside junction box.

Attach the Canopy (E) to the Mounting Plate (B), and secure with Retaining Screw (E).



Step 5: Loosen the Nut (J) and Socket Bracket (L).

Have the big opening of Glass Shade (M) go over the socket, insert one side of Glass Shade (M) opening over the Socket Bracket (L), then adjust the Glass Shades (M) position and put the other side of the Glass Shade (M) over the other side of the Socket Bracket (L), then position against the Cap (K).

Carefully adjust the Glass Shade (M) placement and have it sit centered on top of the Cap (K). Then thread down the Nut (J) and tighten together both Socket Bracket (L) and Glass Shade (M).

Insert the Bulbs (N) into the Socket.