

FOLDING ADIRONDACK CHAIR

Assembly Instructions










IMPORTANT:

- Read carefully and keep for future reference.
- Please contact customer service if you have any problems or discover any missing parts.
- During use, if the pin cannot be pulled out, please rock the chair back and forth to pull out the pin.
- Item identification: For ease of identification, all parts are labeled to correspond to the step number in which the part is used.

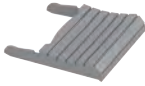




CARE INSTRUCTIONS:






- Do not overtighten screws. Insert all screws before tighten screws.
- Some parts may contain sharp edges. Wear protective gloves if necessary during assembly.
- Please do not exceed the weight limitations of this item.
- Firmly secure all bolts, screws and nuts before use.
- Reconfirm that all bolts, screws, and nuts are secure every 90 days.
- Do not use or store this item in the proximity of open flame or flammable/combustible chemicals.
- After pre-inserting all the bolts into the holes, do not lock them completely, the bolts in each hole should be partially locked. Then in the last step of the installation, lock all holes completely.
- Be very careful when folding chair to avoid smashing your hands or fingers.

HARDWARE

M6x80mm	M6x60mm	M6x50mm	M6.3x50mm	M6x30mm
 1	 2	 3	 4	 5
2PCS	4PCS	4PCS	2PCS	5PCS
M6-NUT	M6-WASHER	WRENCH	ALLEN WRENCH	
 6	 7	 8	 9	
8PCS	8PCS	1PCS	1PCS	

ASSEMBLY PARTS

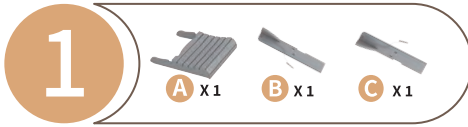
Item No.	Reference Image	Qty
A	 CHAIR SEAT	1PC
B	 RIGHT CHAIR LEG	1PC
C	 LEFT CHAIR LEG	1PC
D	 RIGHT CHAIR ARM	1PC
E	 LEFT CHAIR ARM	1PC

Item No.	Reference Image	Qty
F	 CHAIR BACKREST	1PC
G	 BACK RAIL	1PC
H	 FRONT RAIL	1PC
I	 LOCKING BLOCK	2PC
J	 CUP HOLDER	1PC

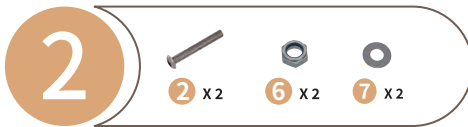
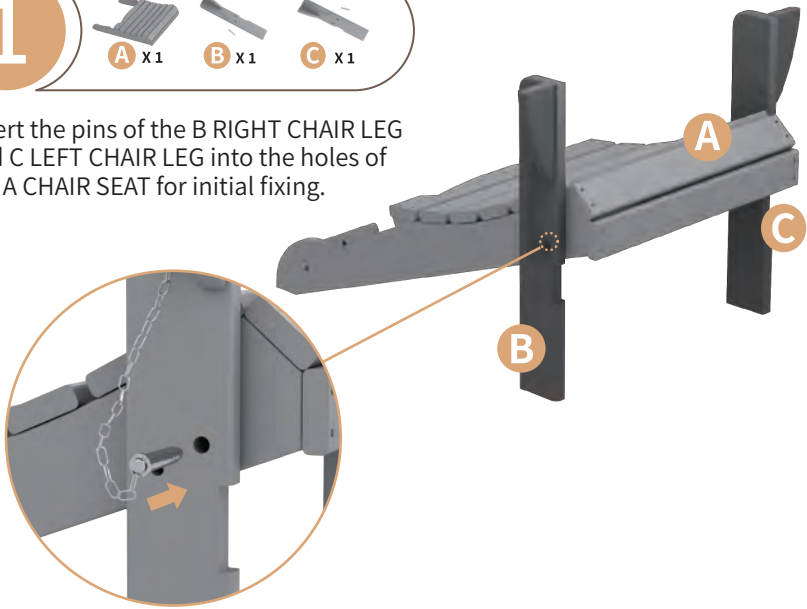
PRODUCT ASSEMBLY - OVERALL VIEW

Look at following overall view of this chair and learn the exact position of each parts to be assembled.

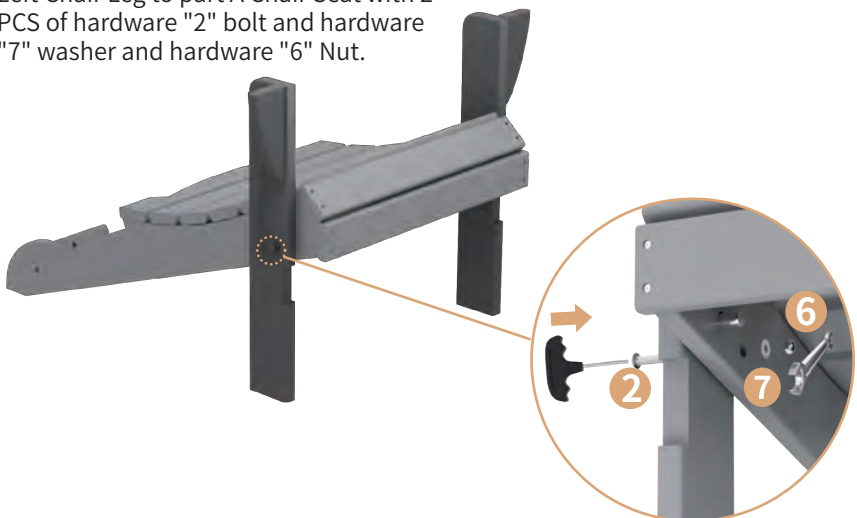


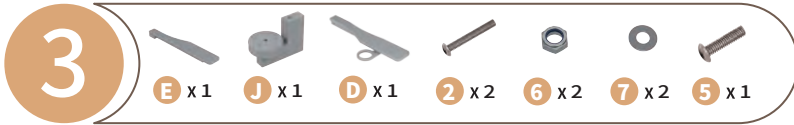


Insert the pins of the B RIGHT CHAIR LEG and C LEFT CHAIR LEG into the holes of the A CHAIR SEAT for initial fixing.



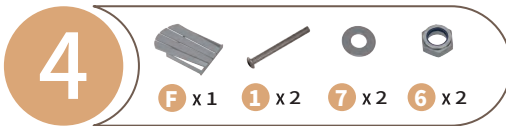
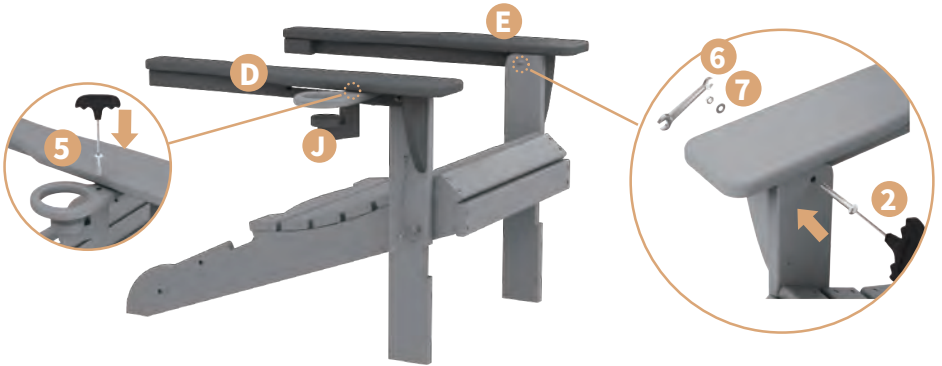
Attach part B right Chair Leg and part C Left Chair Leg to part A Chair Seat with 2 PCS of hardware "2" bolt and hardware "6" Nut.





Attach part J CUP HOLDER to part D RIGHT CHAIR ARM with 1 PCS of hardware "5" bolt. Attach part C Left Chair Leg to part E Left Chair Arm with 1 PC of hardware "2" bolt and hardware "7" washer and hardware "6 "Nut. Do same to part B Right Chair Leg and part D Right Chair Arm. Attach the locking stick to Chair legs with a screw driver before assembly.

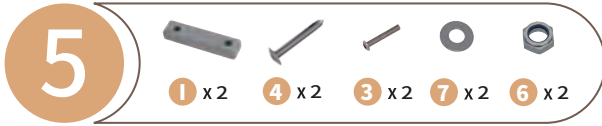
Do not tighten screws too much at this stage.



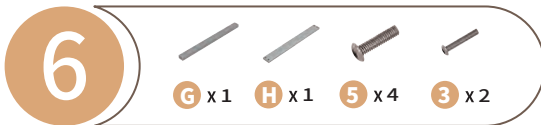
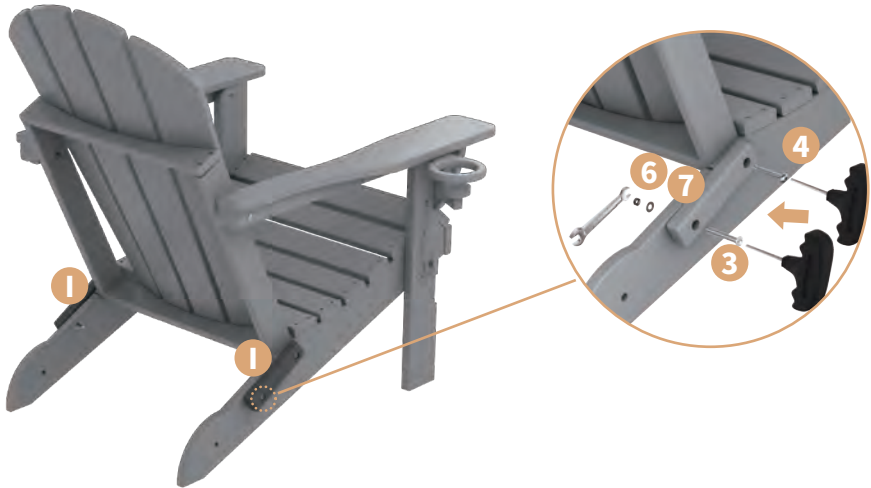
Fix part F Backrest into part A Chair Seat and then attach part F Chair Backrest to part D Right Chair Arm with 1 PC of hardware "1" bolt and hardware "7" washer and hardware "6" Nut.

Do the same to attach part F Backrest to part E Left Chair Leg.





Attach part I Locking Blocks to part F Chair Backrest (Both sides) with 2 pcs of hardware "4" bolt and attach part I Locking Blocks to part A Chair seat (Both sides) with 2 PCS of hardware "3" bolt and hardware "7" washer and hardware "6" Nut.



Attach part G Back Rail to part A Chair Seat with 2 PCS of hardware "3" bolt. Attach part H Front Rail to Part B Left Chair leg and part C Right Chair leg with 4 PCS of hardware "5" bolt.



7

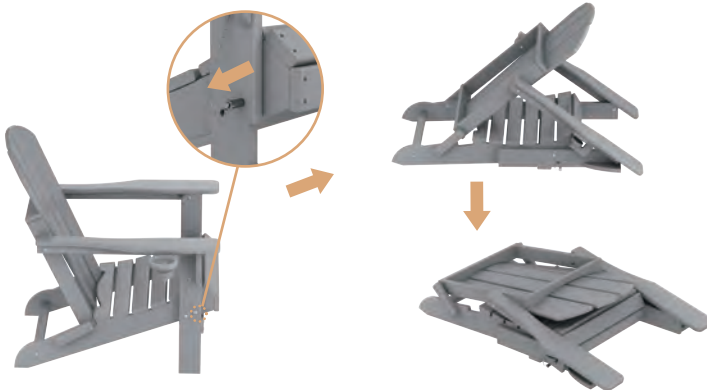
**INSTALLATION
COMPLETED**

Congratulation! You finishes the assembly of this Adirondack Chair.

PAY ATTENTION:
DO NOT EXCEED THE
MAXIMUM LOAD OF 380 LBS.



Pull the stick out of both legs to fold this chair as below.



Notice: During use, if you cannot pull out the latch, please sit on the chair, lean forward a little, and then rock the chair back and forth to pull out the latch.