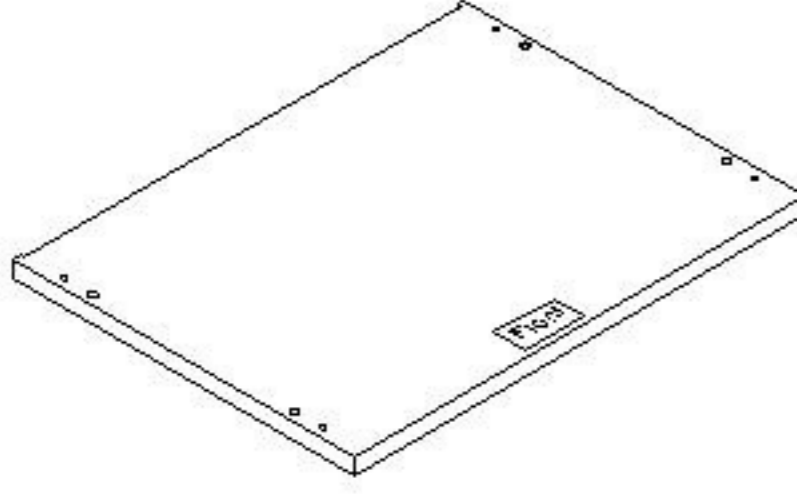
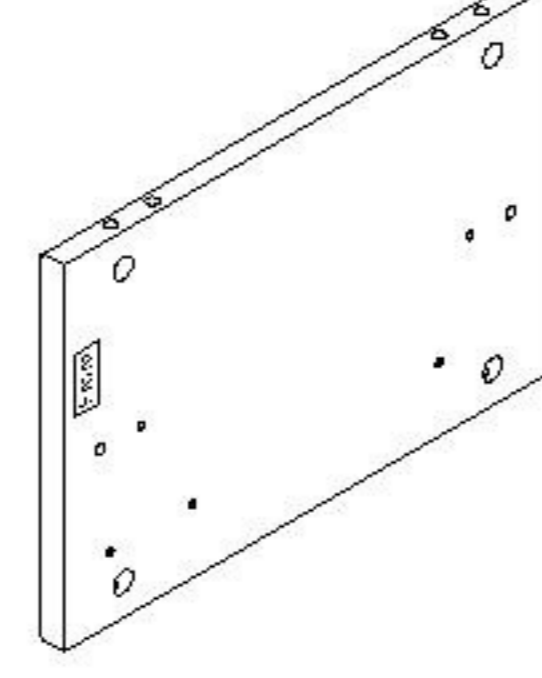
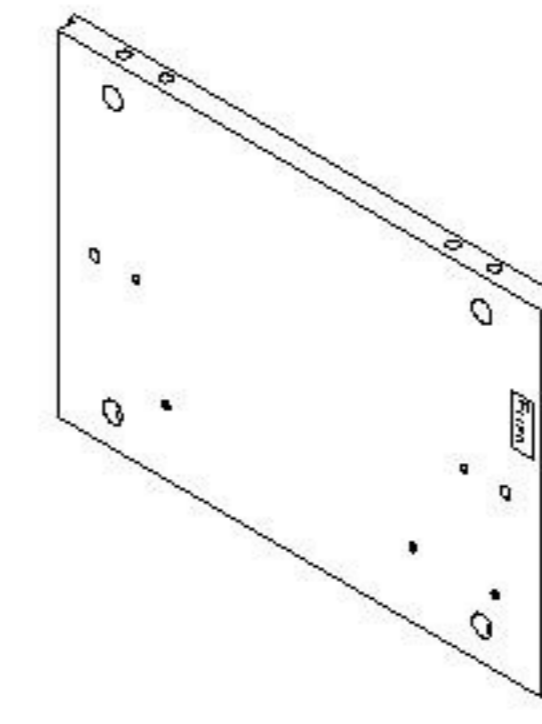
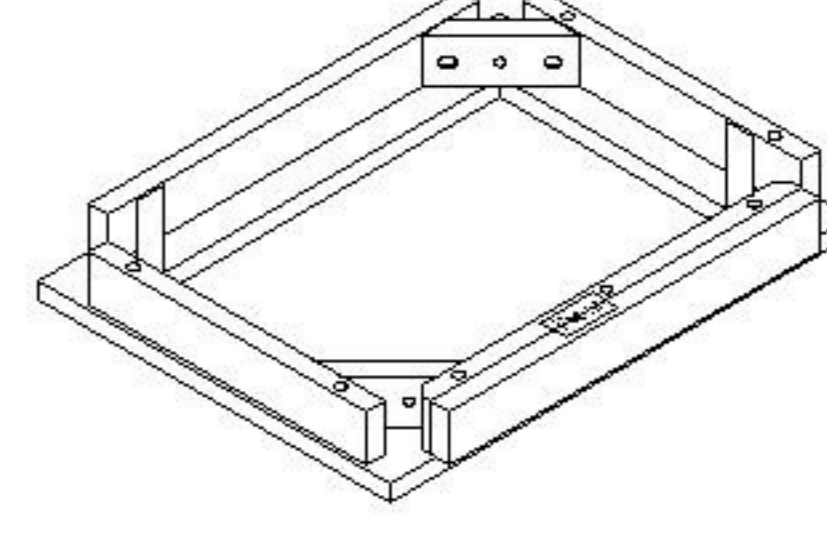
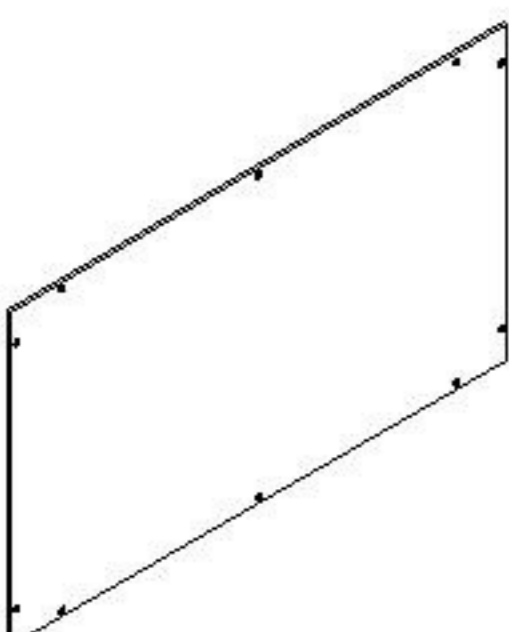

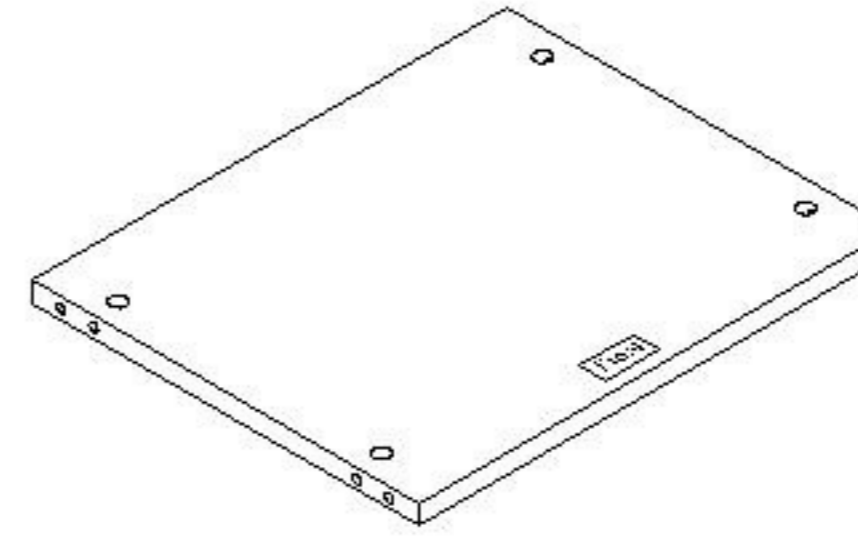
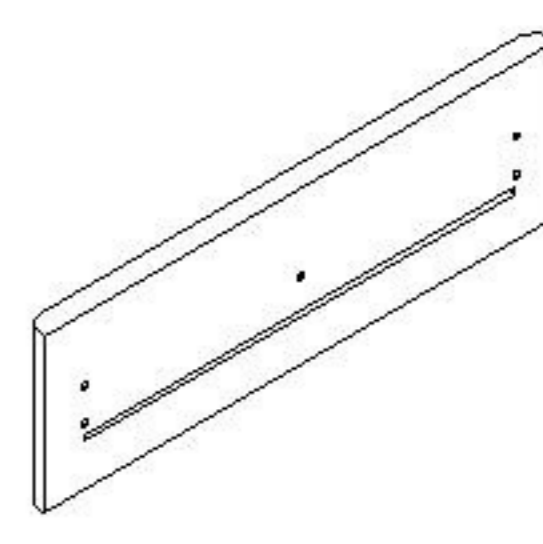
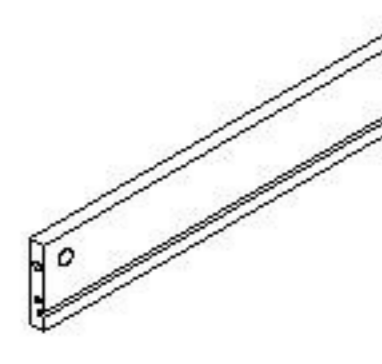
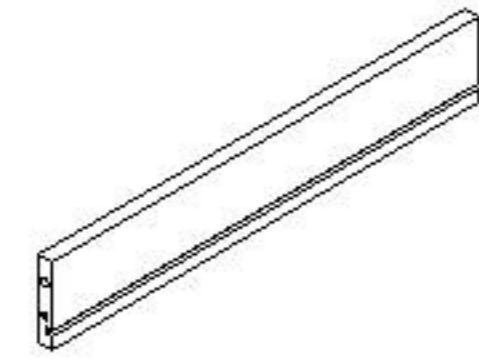
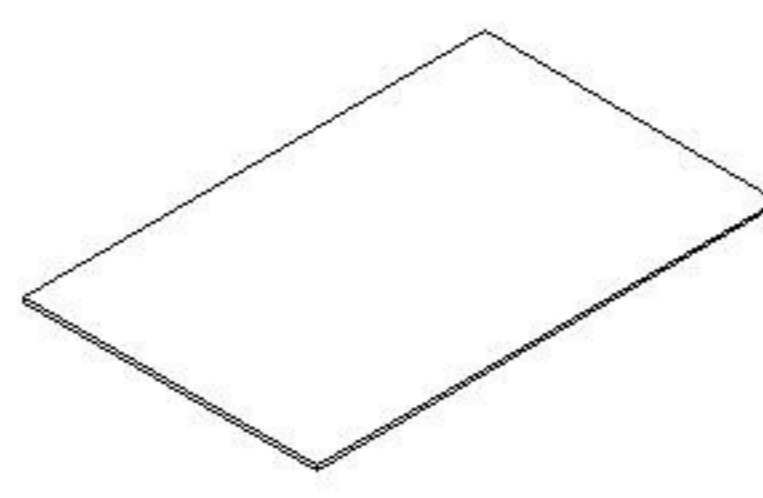
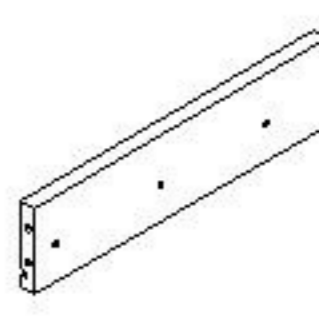
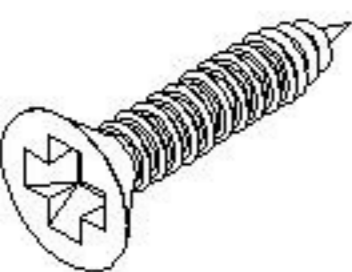
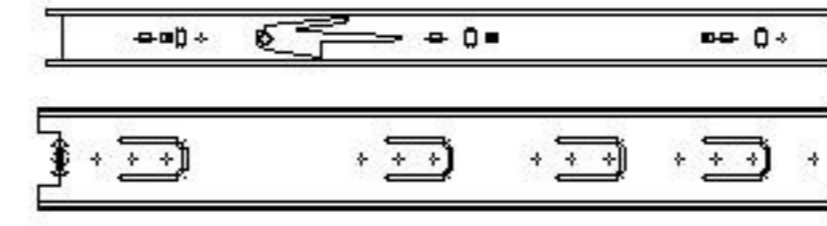
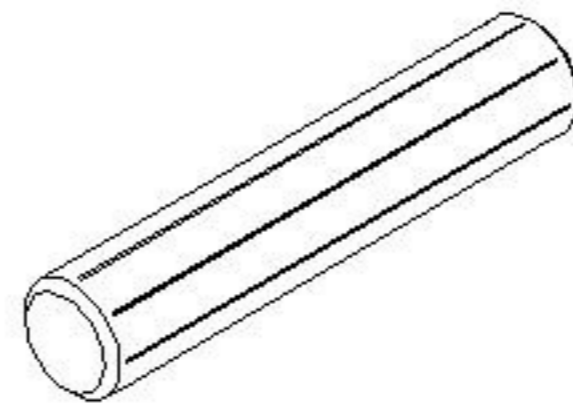
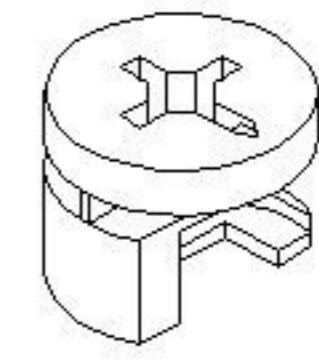
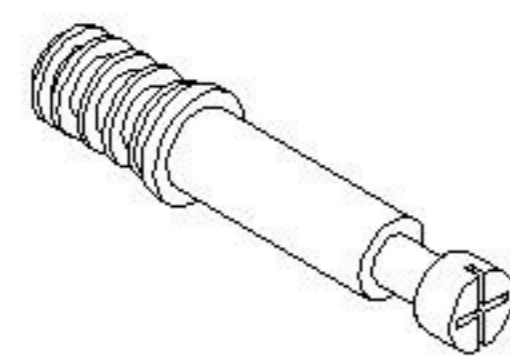
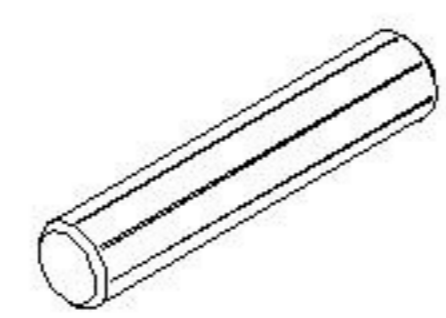
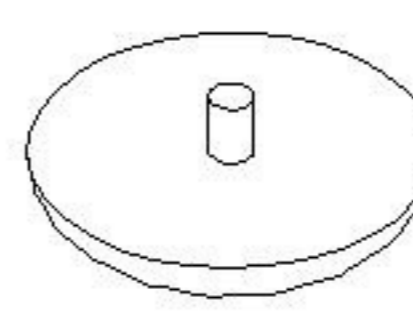
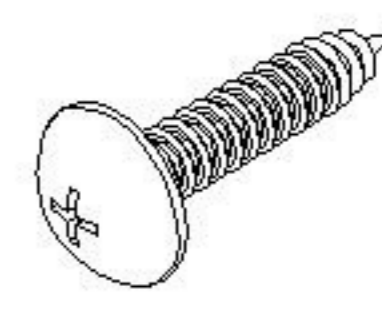
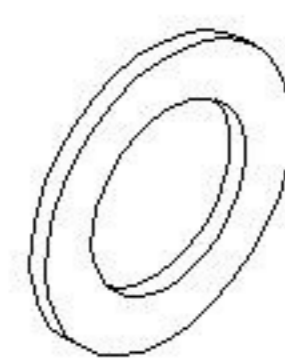
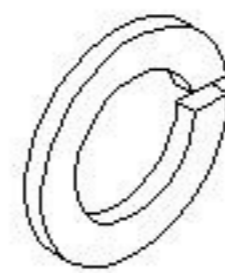
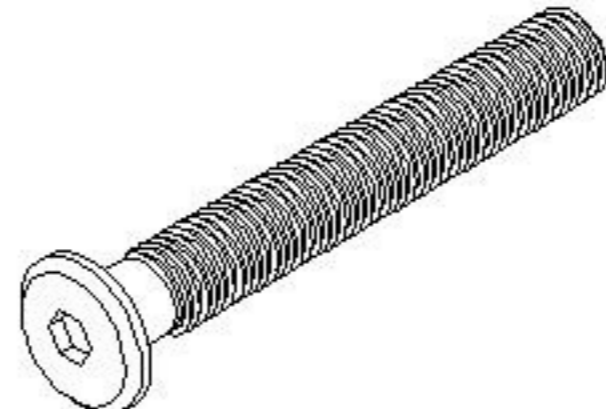
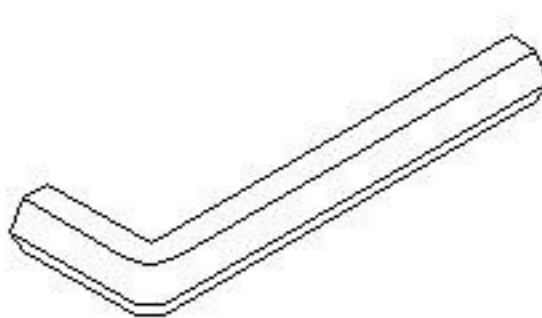
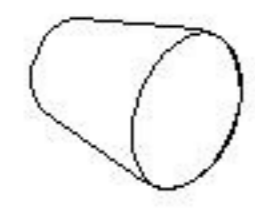


ASSEMBLY INSTRUCTION

DRAWER NIGHTSTAND

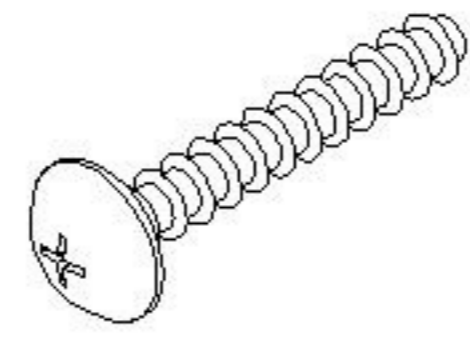
A Top Panel  1pc	B Left Side Panel  1pc	C Right Side Panel  1pc	D Bottom Frame  1pc
E Back Plywood  1pc	F Post  4pcs	G Center Panel  1pc	H Drawer Front  1pc
I Drawer Side (Left)  1pc	J Drawer Back  1pc	K Drawer Base  1pc	L Drawer Side (Right)  1pc
M Screw M3*16mm  12pcs	N Extension Runner 350mm  1sets	O Dowel M8*35mm  12pcs	P Cam Lock 15*12  16pcs
Q Cam Bolt 5*25  16pcs	R Dowel M6*30mm  4pcs	S Cam Lock Cover 17*5  16pcs	T Panhead Screw M4*16mm-Black  10pcs
U Flat Washer M8  4pcs	V Spring Washer M8  4pcs	W JCBC Bolt M6*60mm  4pcs	X Allen Key M4  1pc

Y Handle

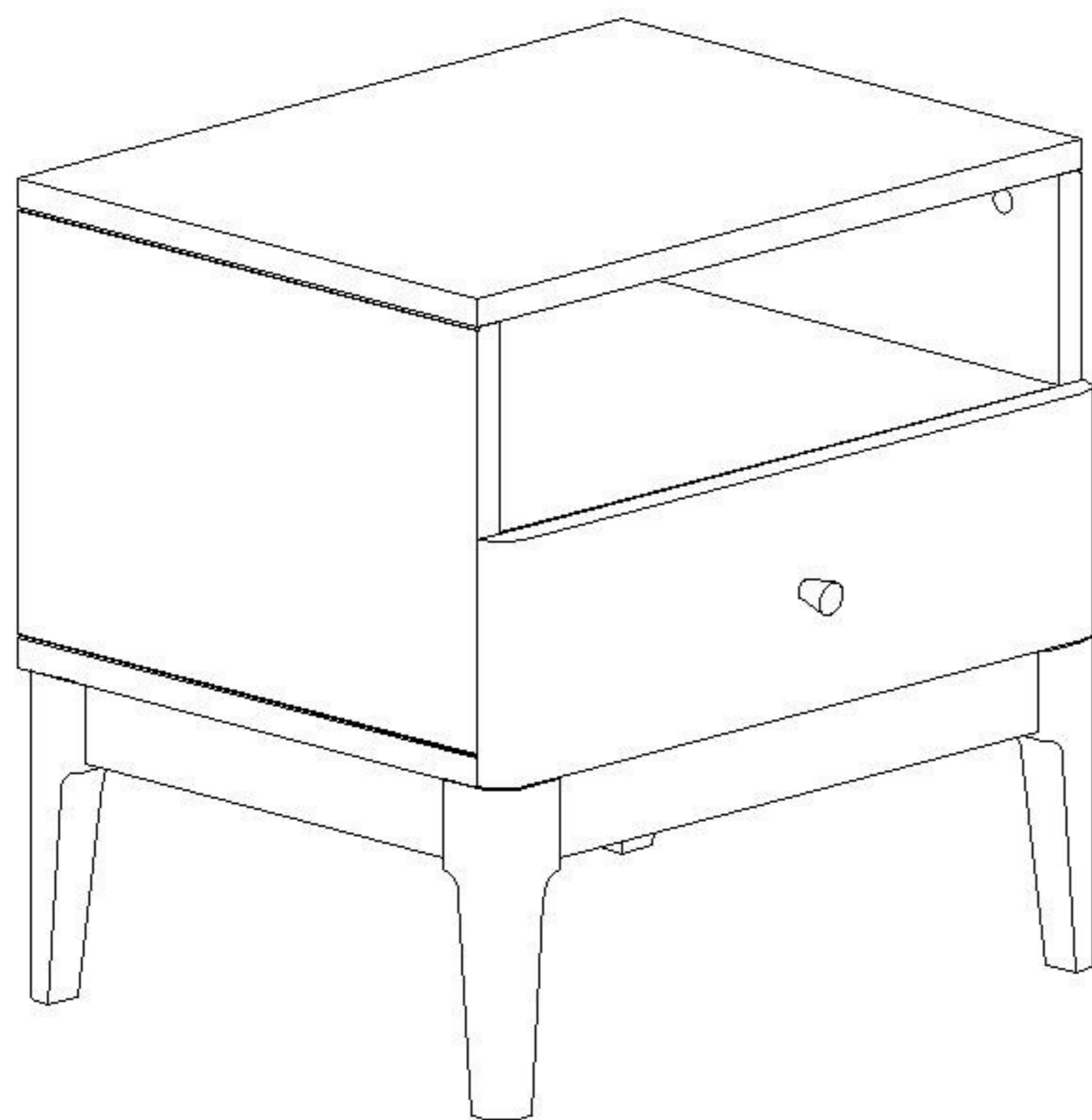


1pc

Z Panhead Screw
M4*25mm



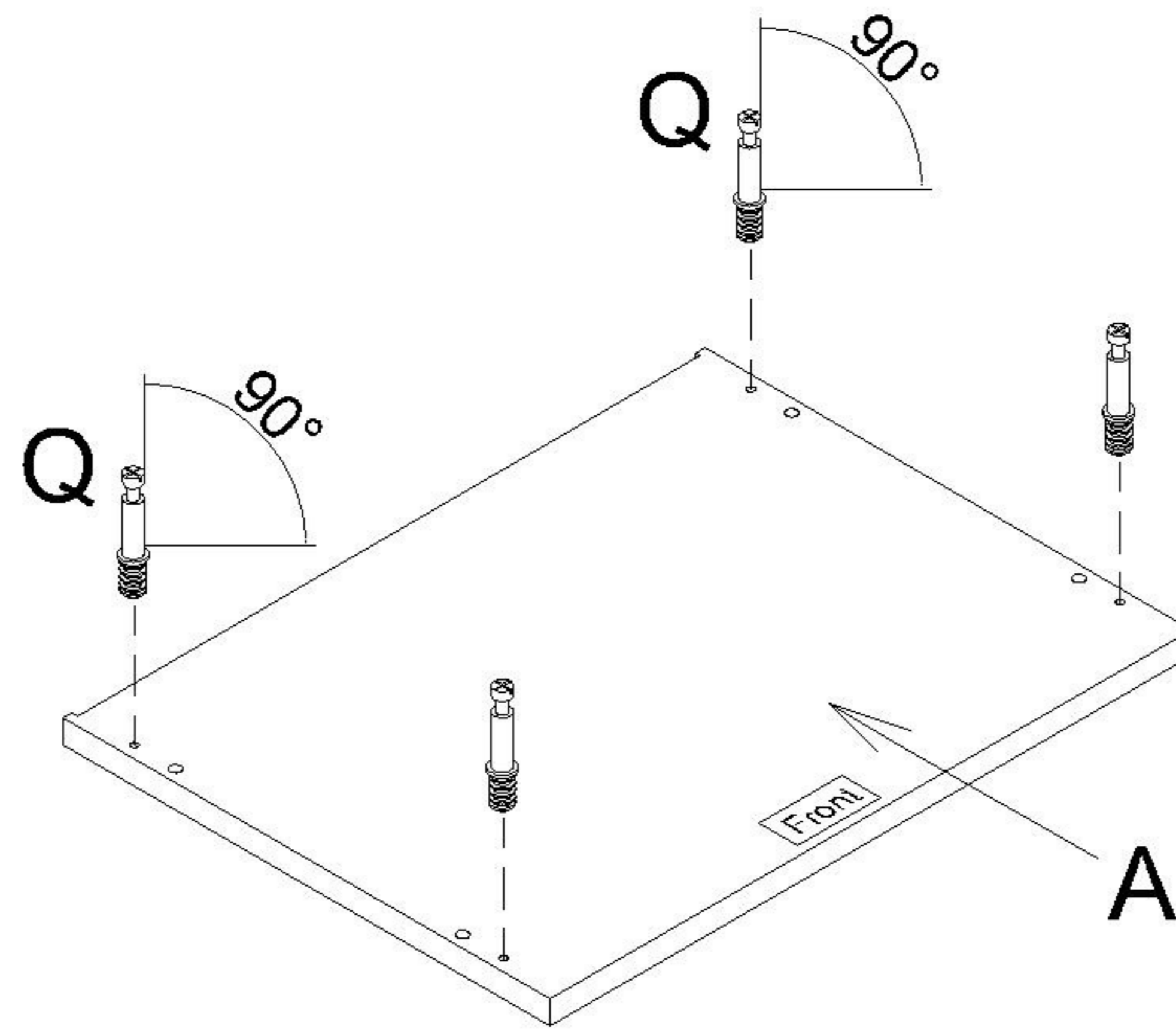
1pc



This pages lists all the contents included in the box. Please take the time to identify the hardware as well as the individual components to this product. As you unpack and prepare for assembly, place the contents on a carpeted or padded area to protect them from damage.

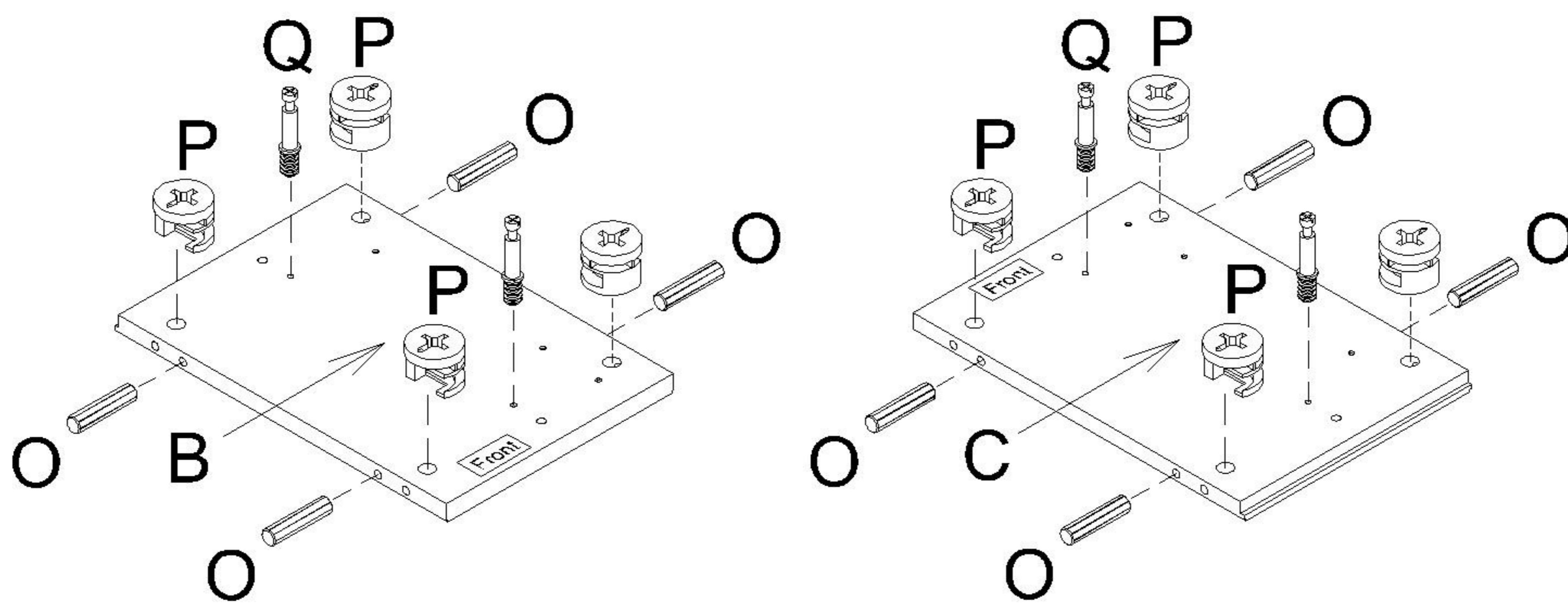
1

Insert and secure Cam Bolt (Q) to Top Panel (A).

**2**

Insert Dowel (O) to Left & Right Side Panel (B & C). Attach Cam Lock (P) to Left & Right Side Panel (B & C). Insert & secure Cam Bolt (Q) to Left & Right Side Panel (B & C).

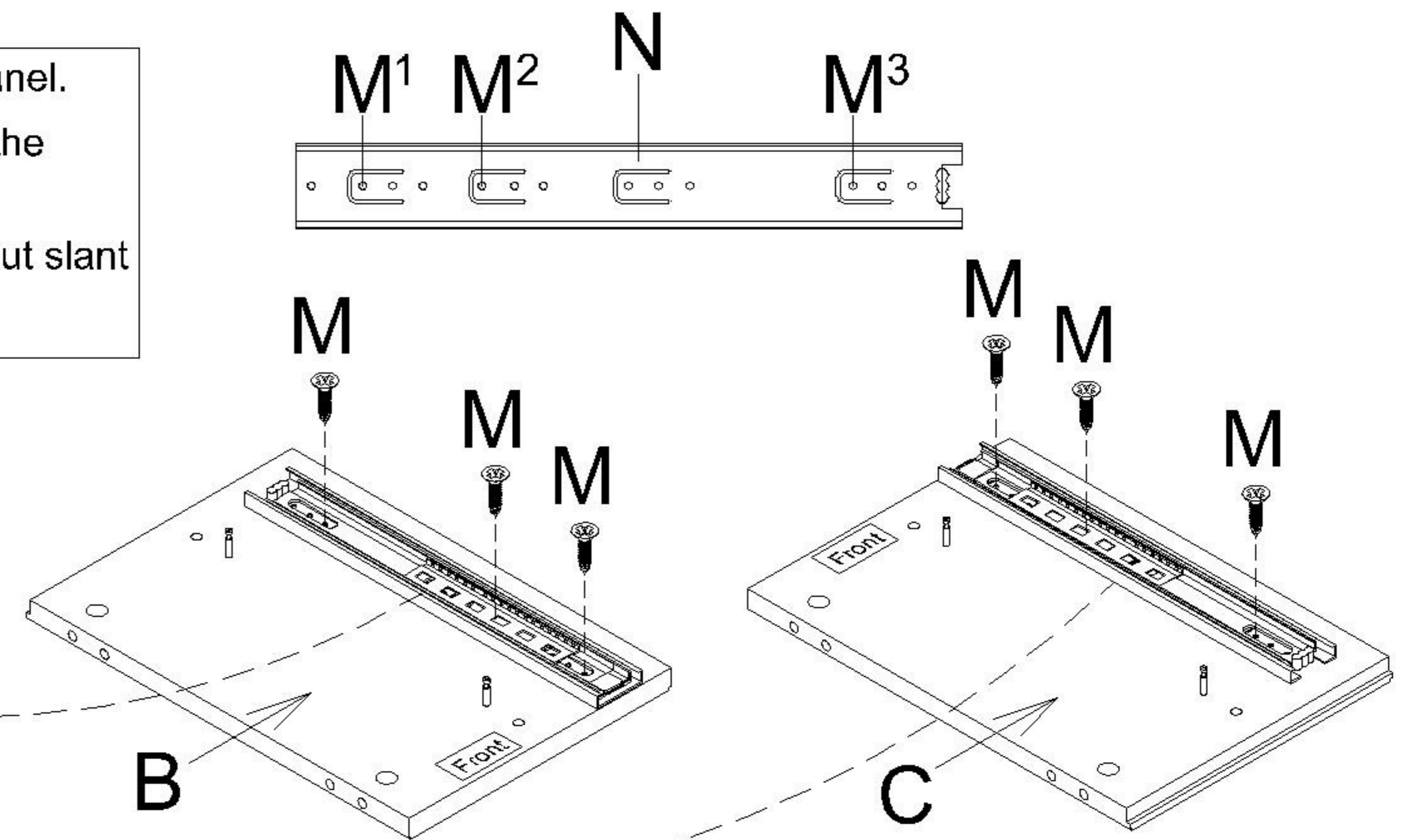
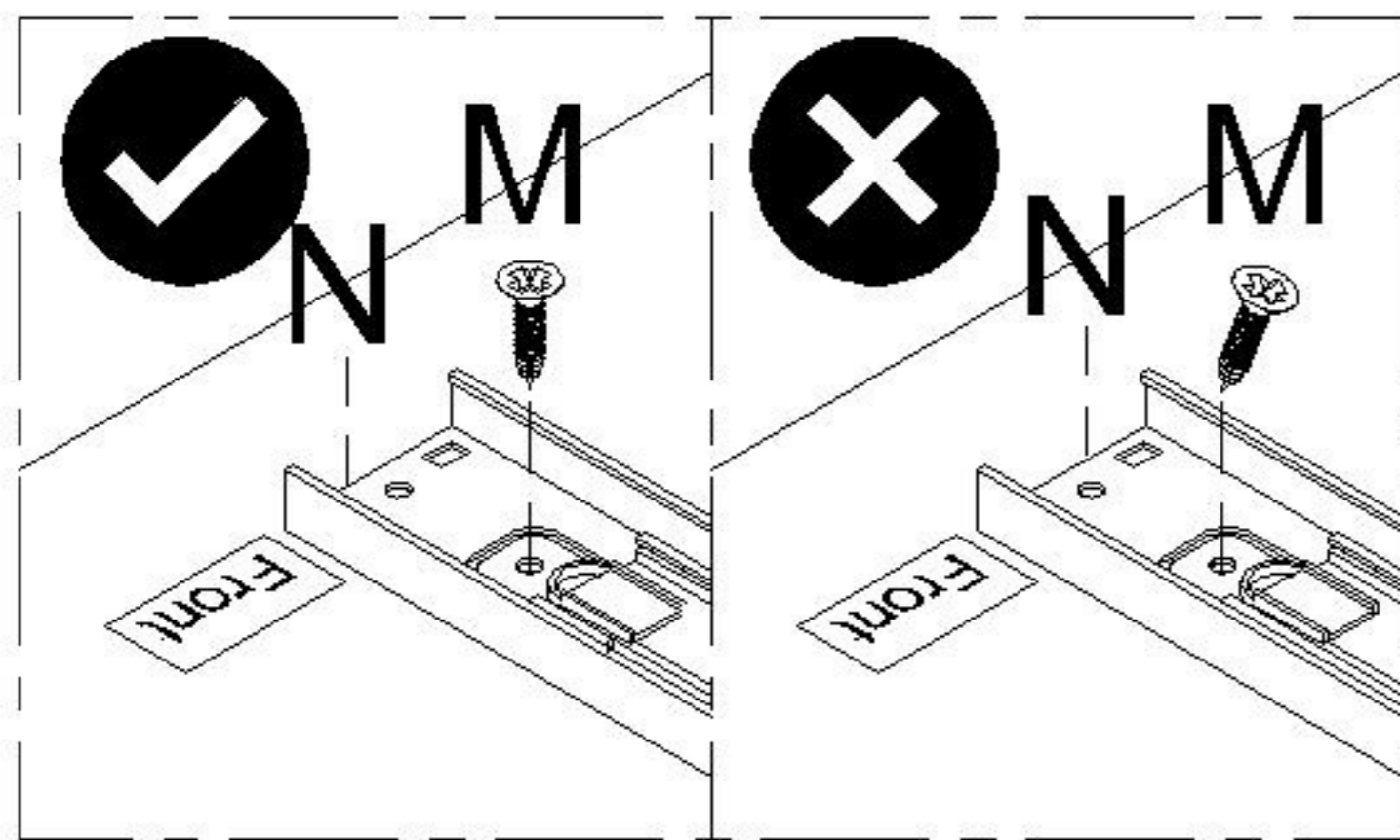
NOTE : - Make sure arrows on each Cam Lock points towards nearest edge with holes



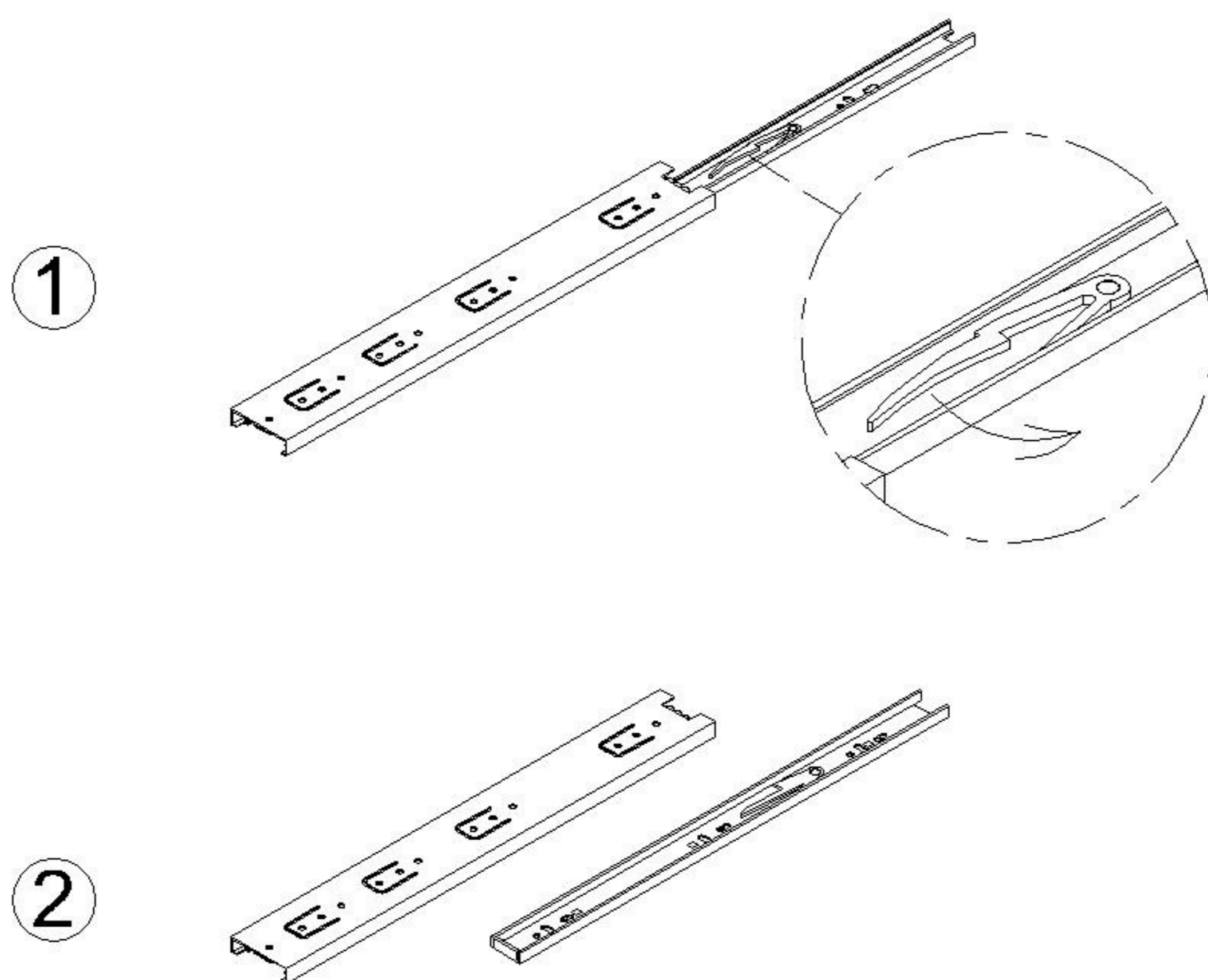
3

Attach Extension Runner (N) to Left & Right Side Panel (B & C) using Screw (M) to secure.

NOTE : - Runner roller should be towards the front of the panel.
 - Screw (M) should be assembled from the front of the runner. Start from M¹, M² then M³.
 - Make sure the screws are installed vertically without slant to ensure screw sits properly in the hole.



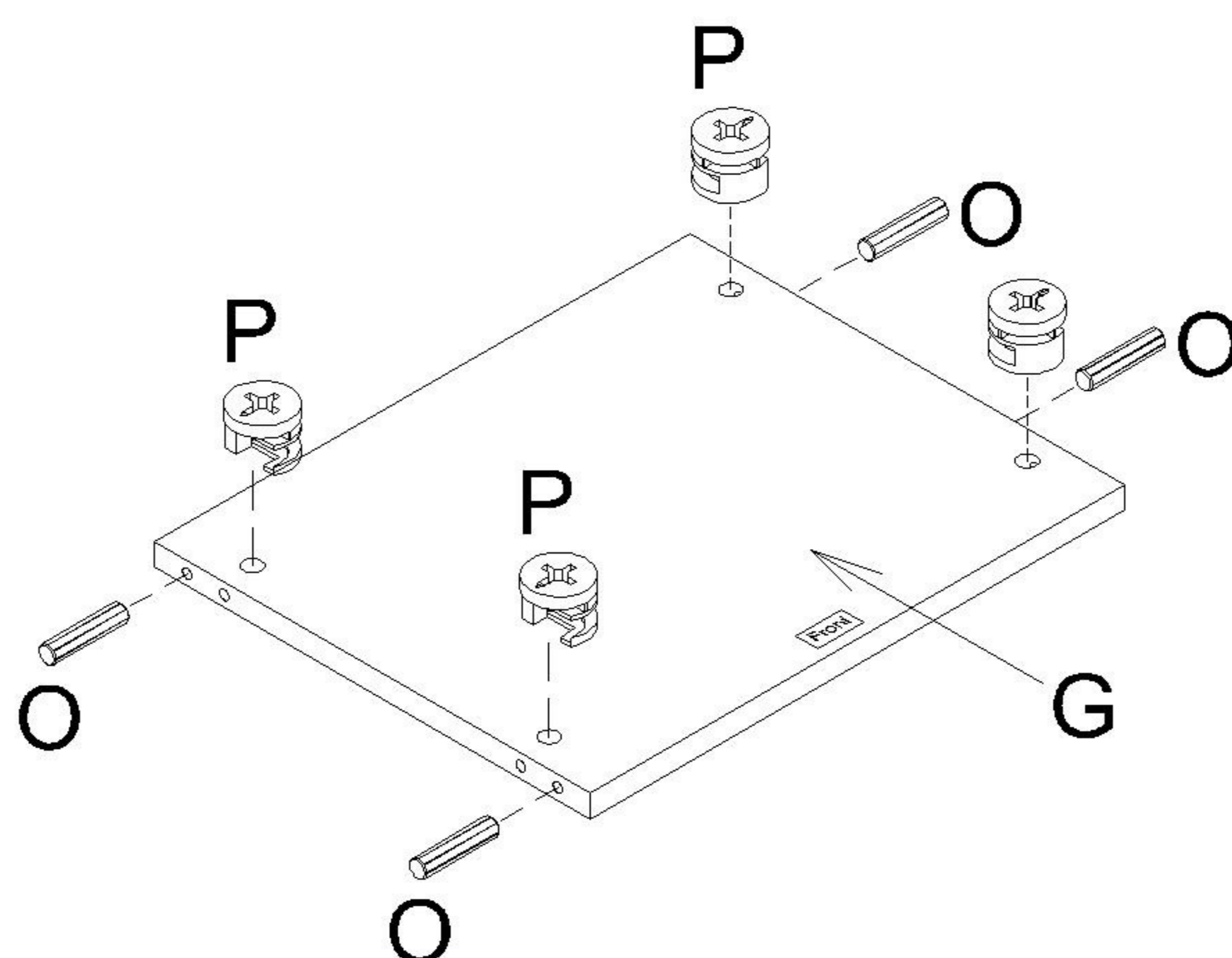
EXTENSION RUNNER DISASSEMBLE STEPS:



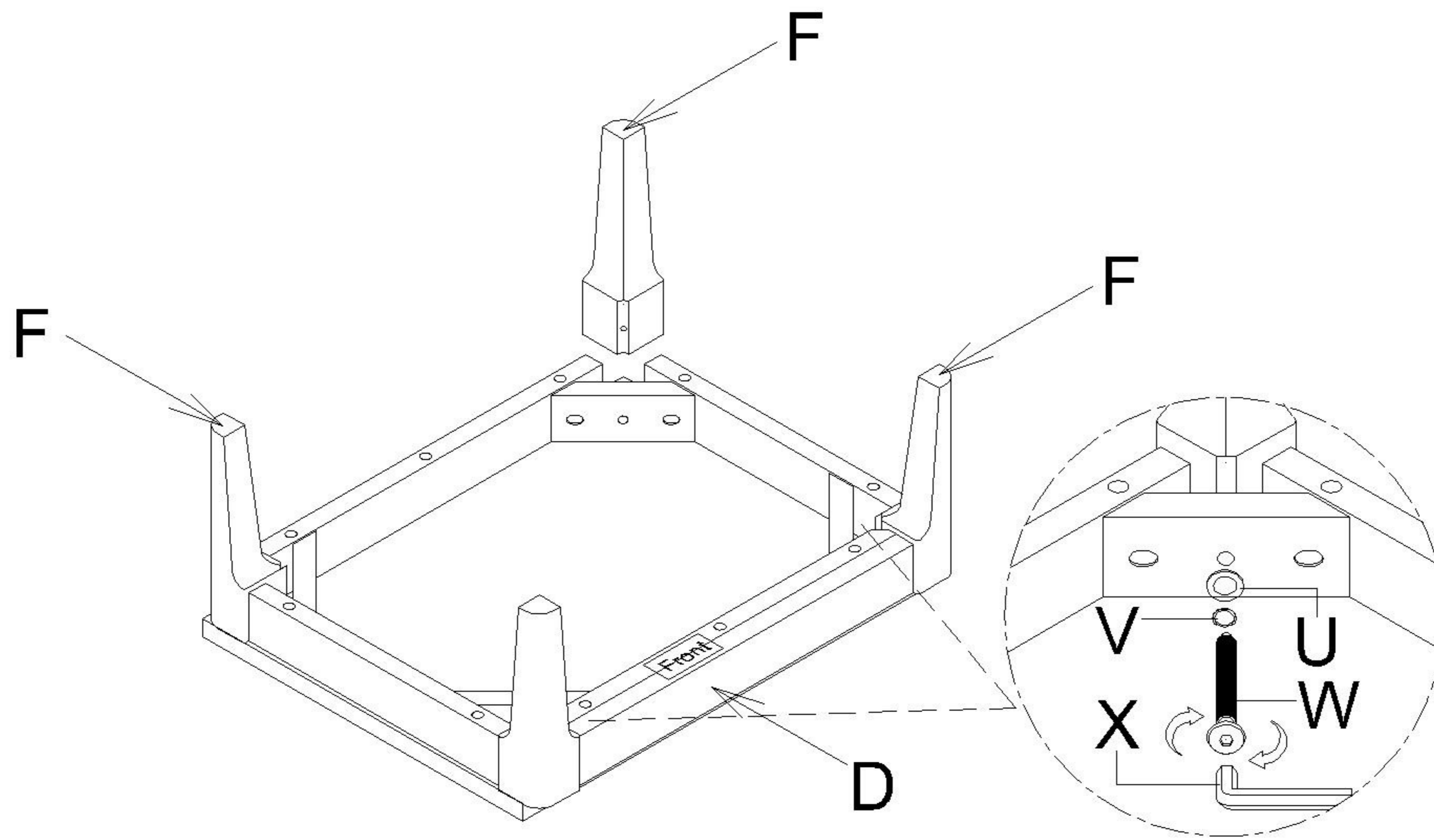
Disassemble the glides to tighten on panel. Glides will be disassembled in 2 parts, 1 part to fix on side panel and the other part to fix on drawer side.

4

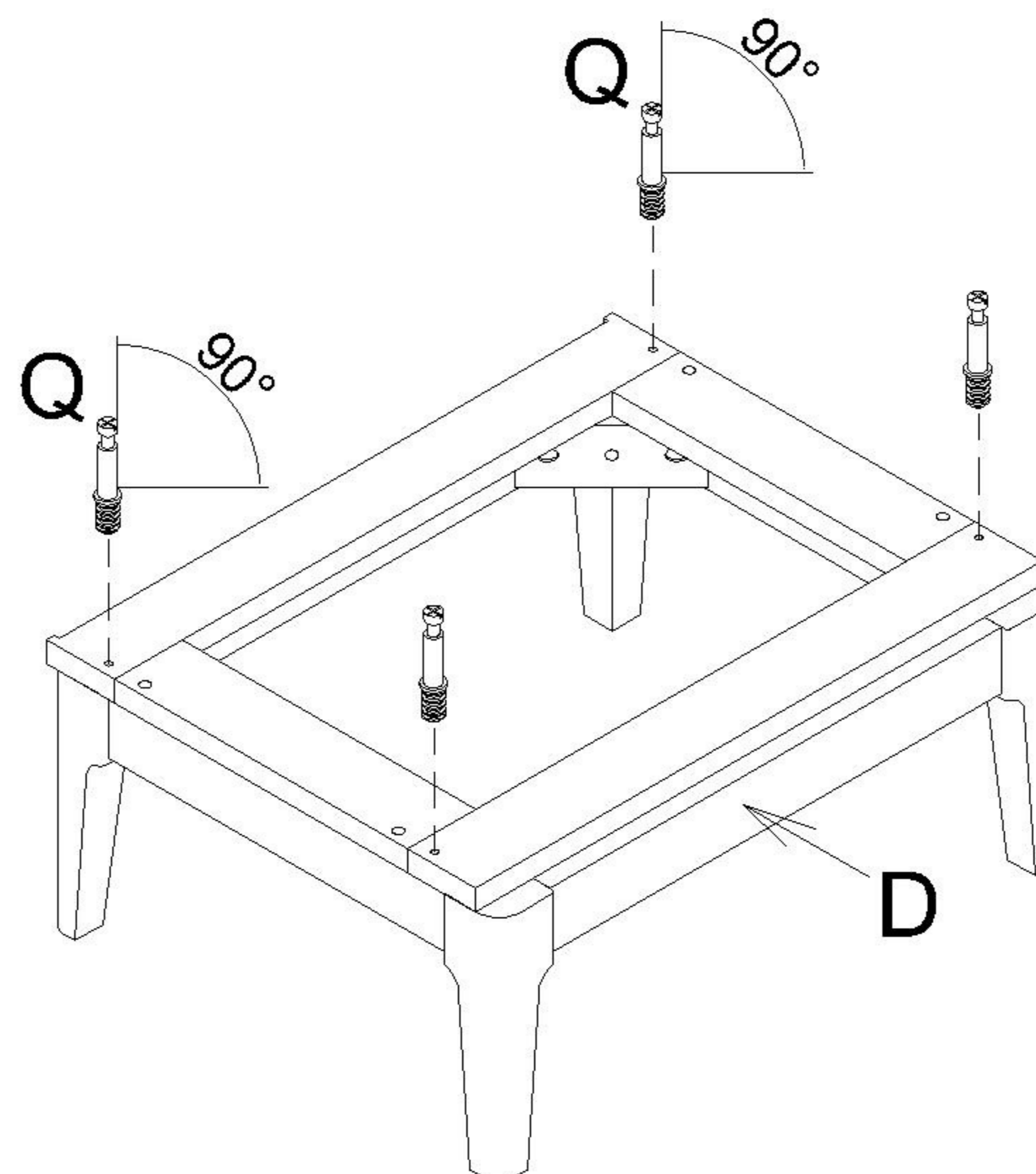
Insert Dowel (O) to Center Panel (G). Attach Cam Lock (P) to Center Panel (G).



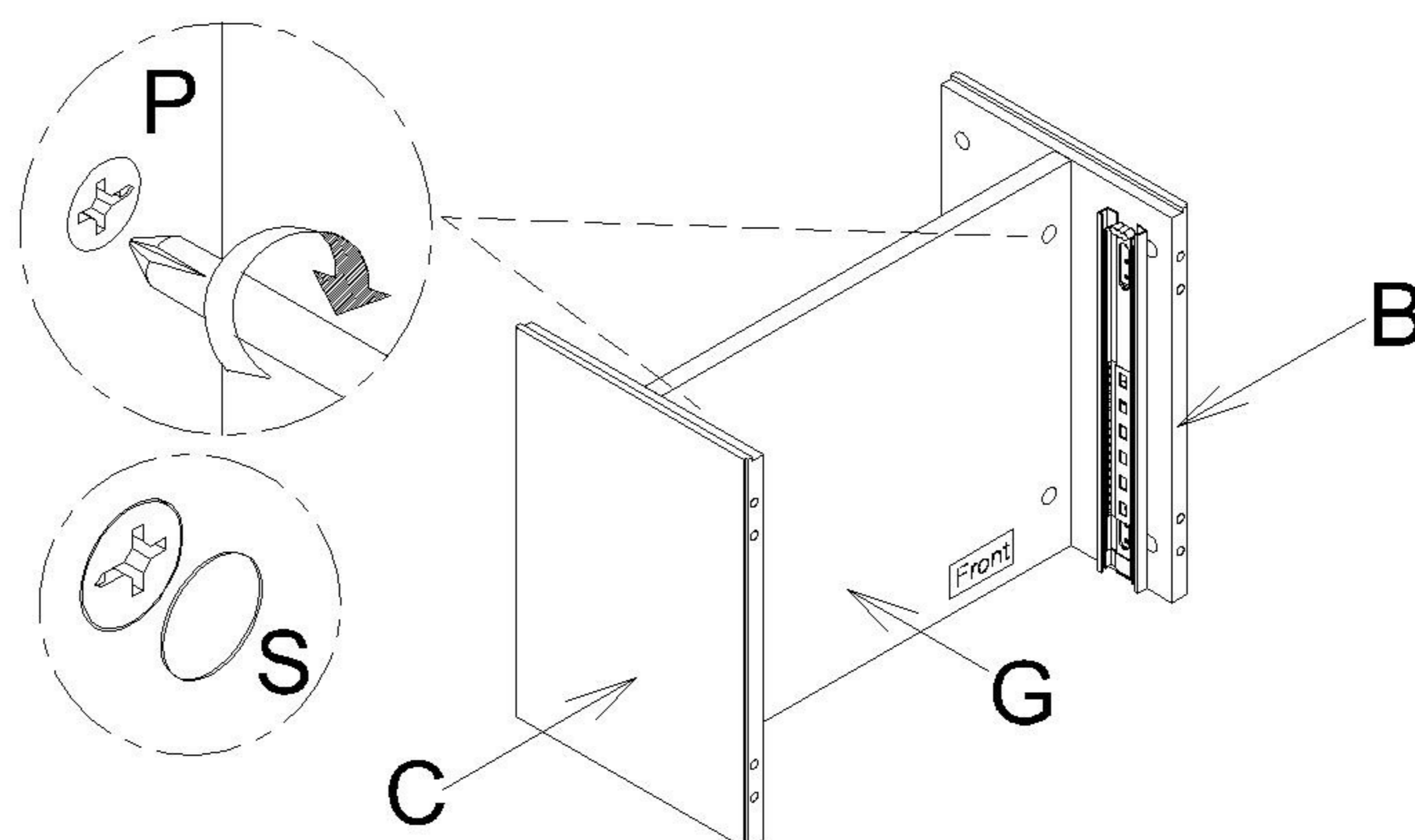
- 5** Attach Post (F) to Bottom Frame (D) and secure with Flat Washer (U), Spring Washer (V) and JCBC Bolt (W) and tighten with Allen Key (X) clockwise.



- 6** Insert and secure Cam Bolt (Q) to Bottom Frame (D).

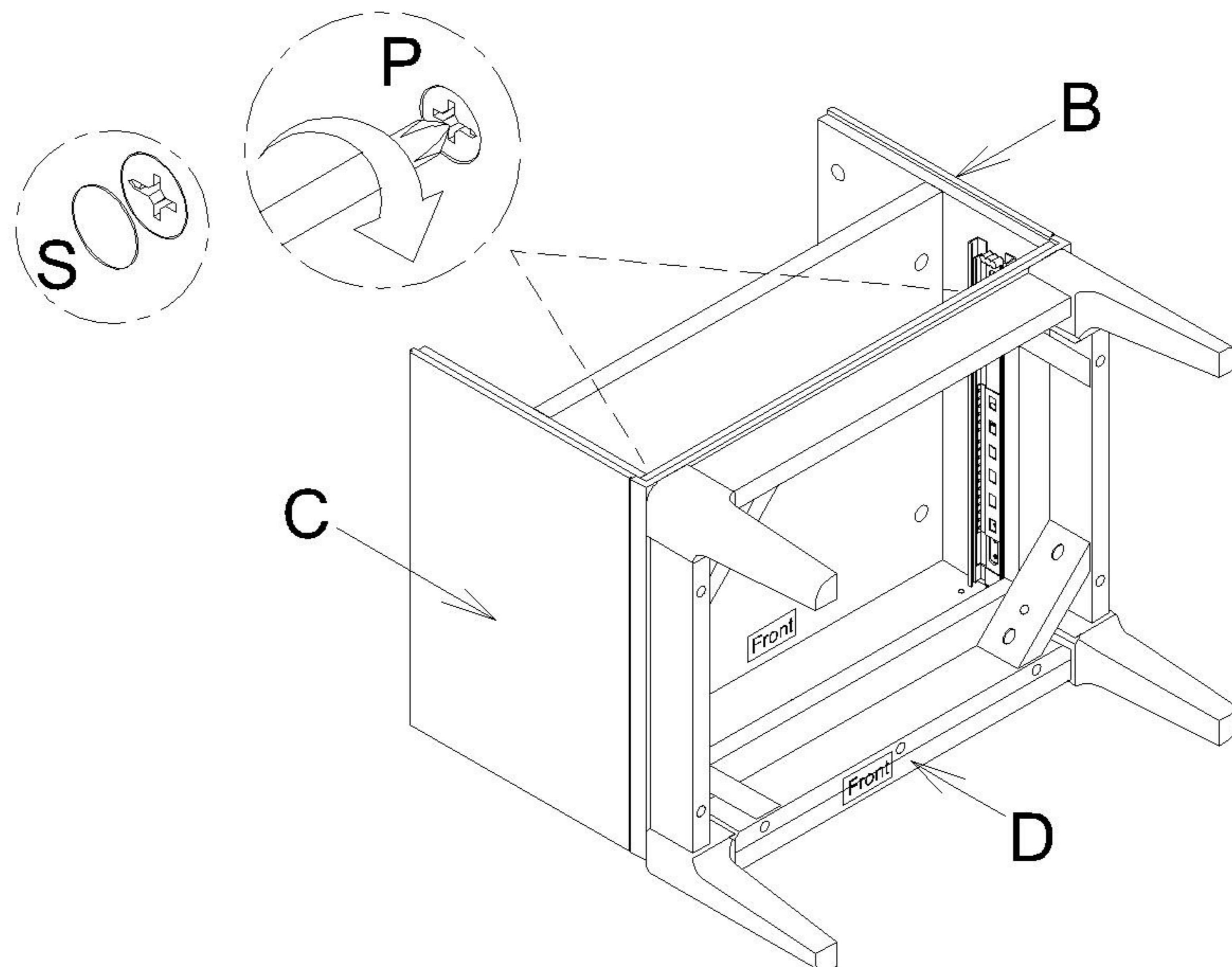


- 7** Attach Left & Right Side Panel (B & C) to Center Panel (G) and secure with Cam Lock (P). Cover Cam Lock (P) with Cam Lock Cover (S).

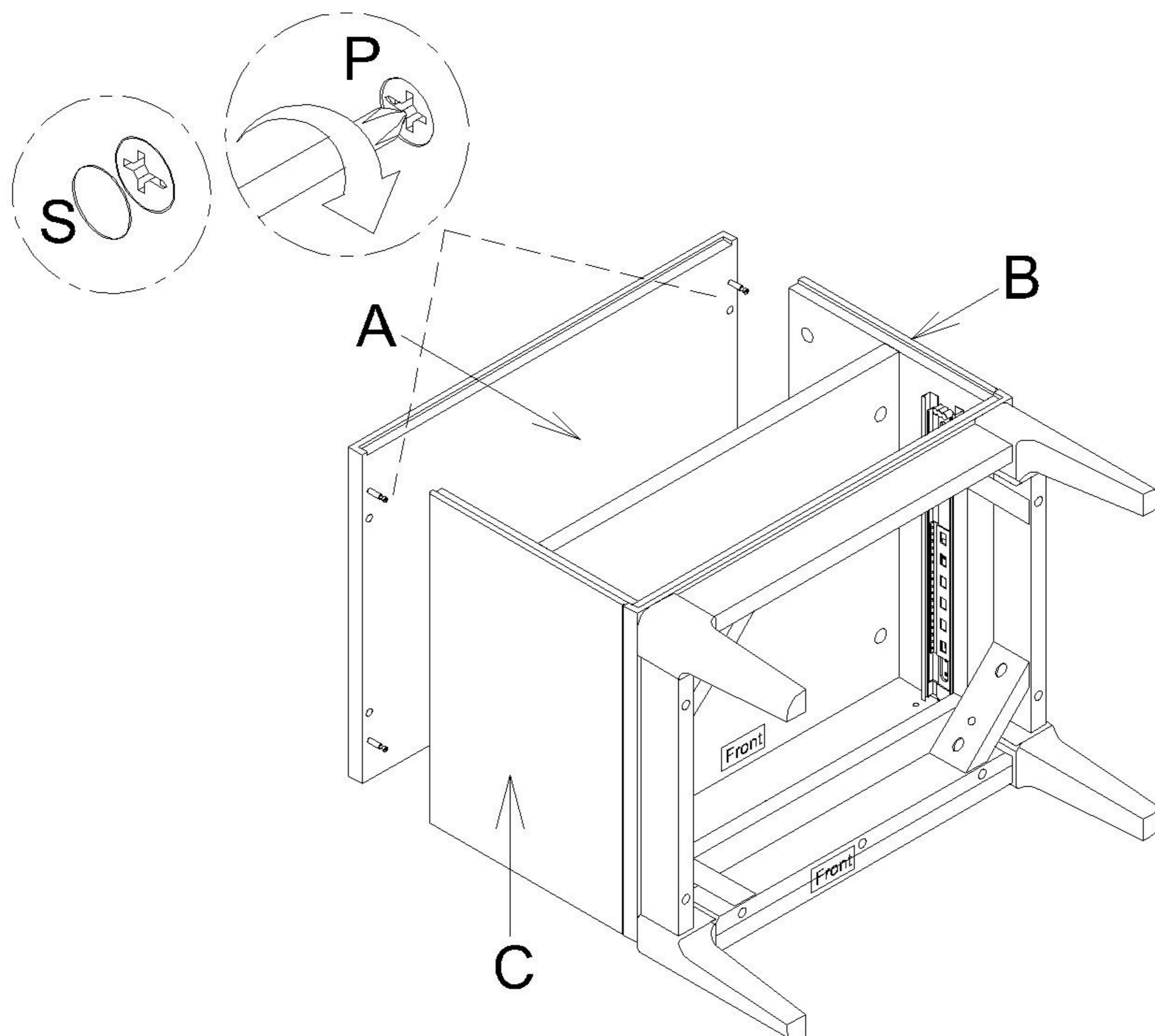


8

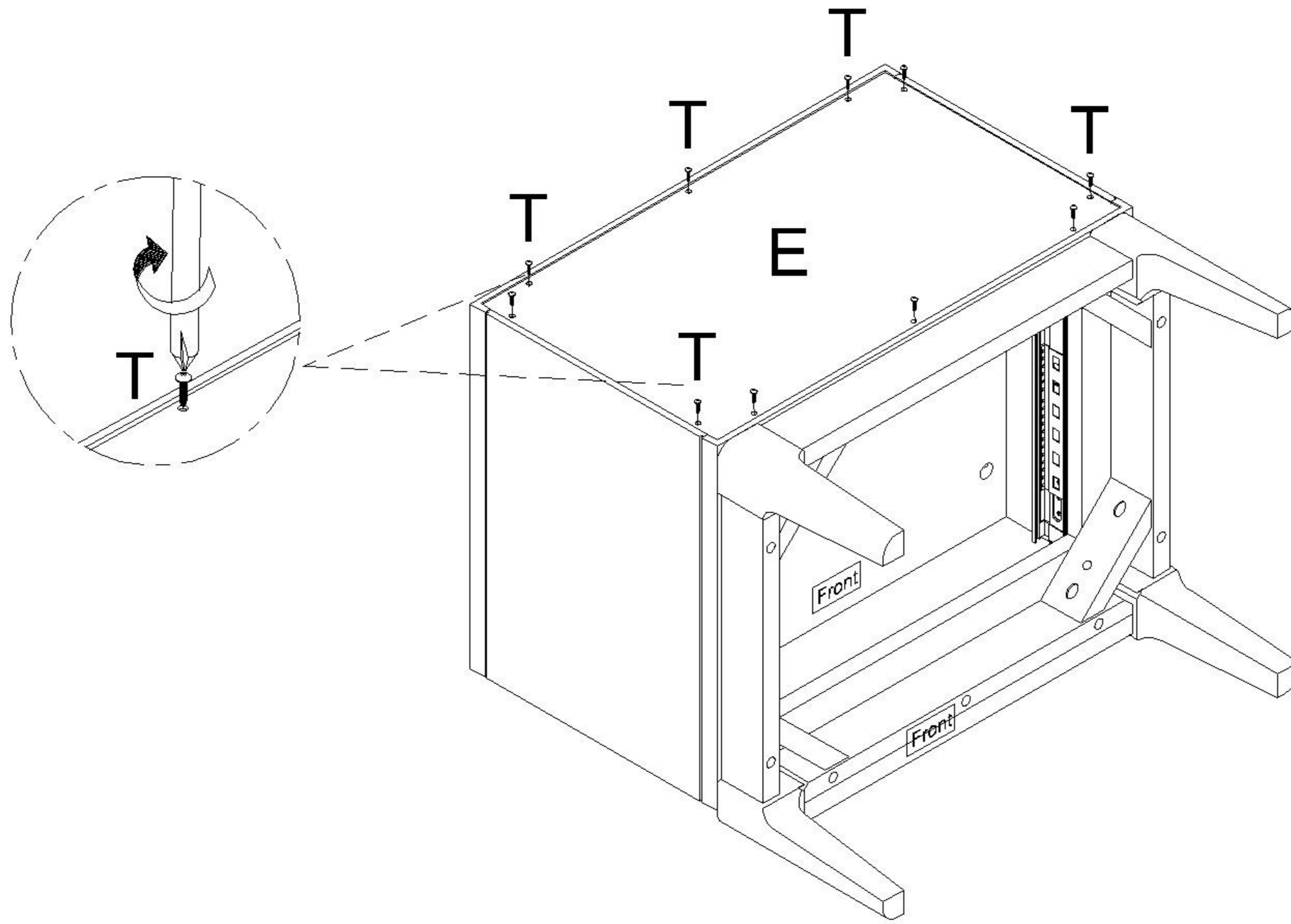
Attach Left & Right Side Panel (B & C) to Bottom Frame (D) and secure with Cam Lock (P).
Cover Cam Lock (P) with Cam Lock Cover (S).

**9**

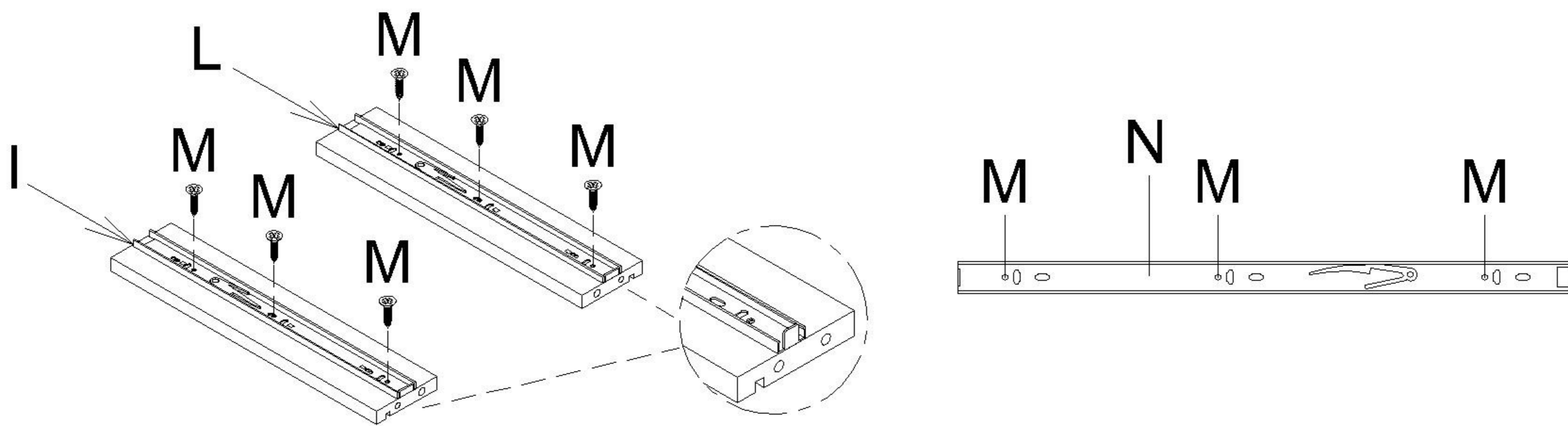
Attach Top Panel (A) to Left & Right Side Panel (B & C) and secure with Cam Lock (P).
Cover Cam Lock (P) with Cam Lock Cover (S).



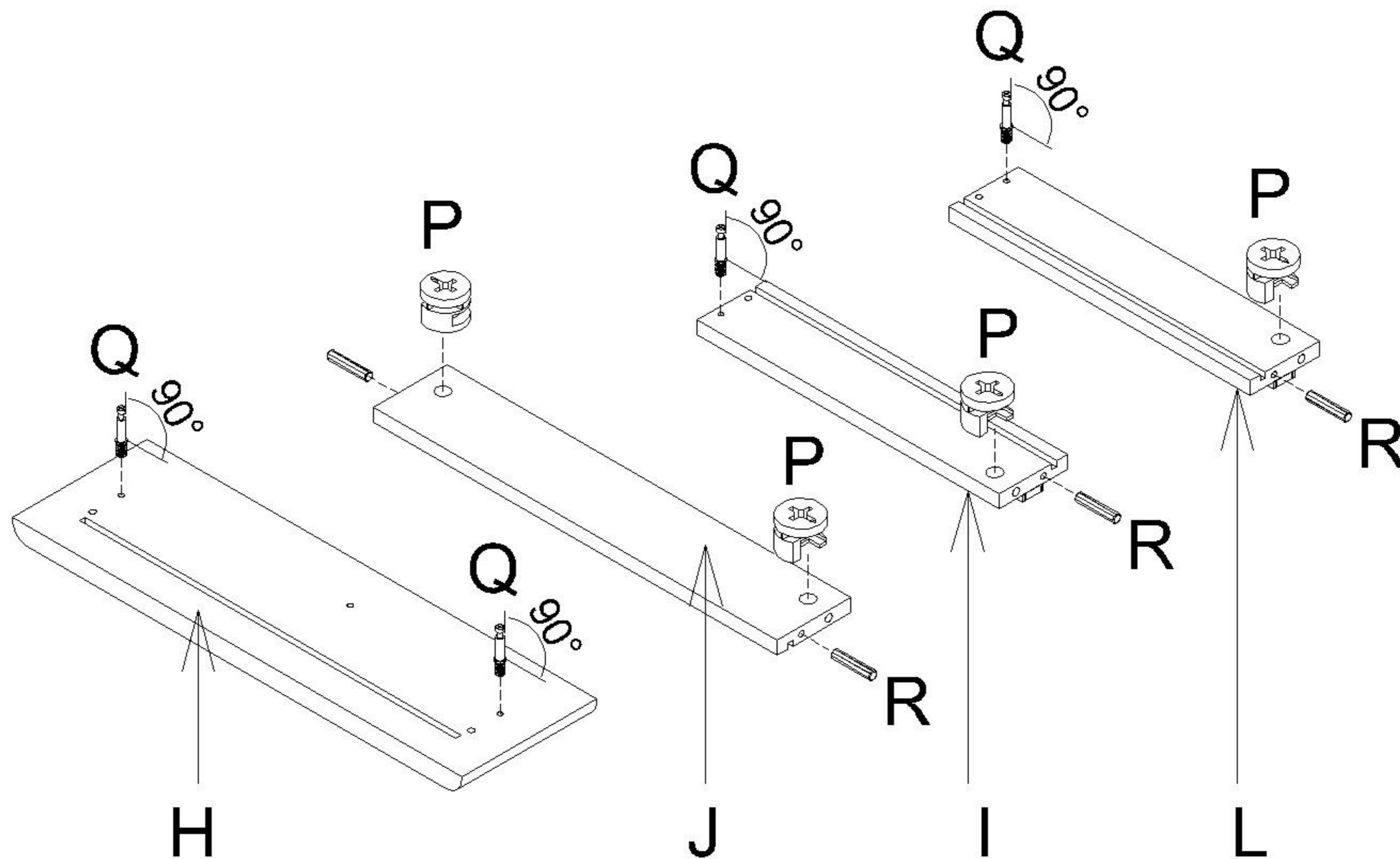
10 Attach Back Plywood (E) to assembled unit using Panhead Screw (T) to secure.



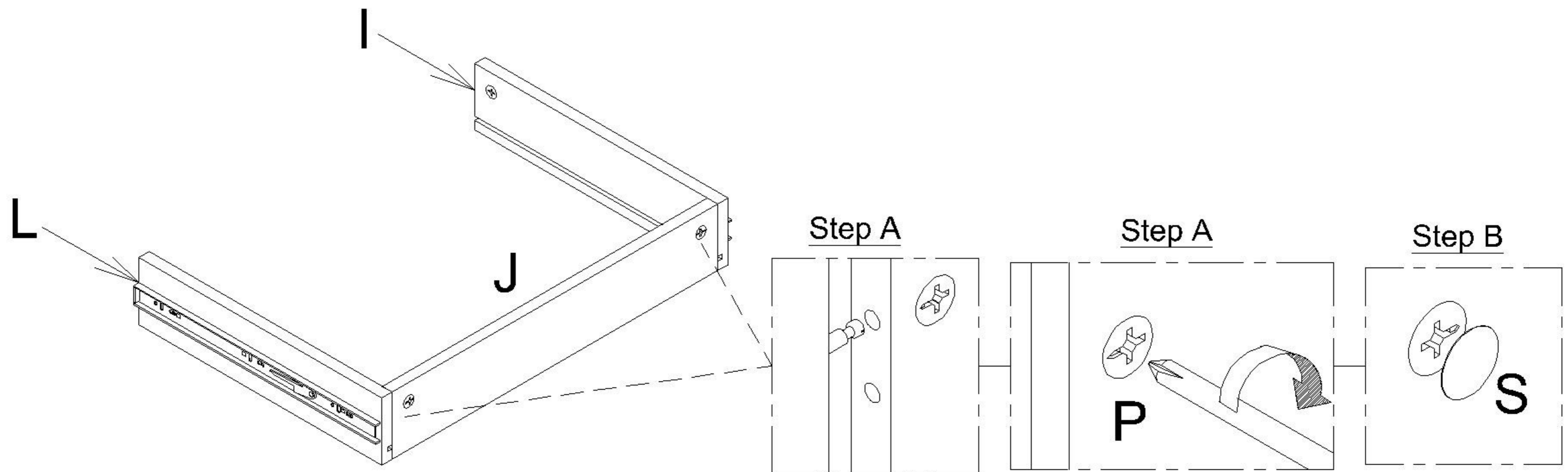
11 Attach Extension Runner (N) to Left & Right Drawer Side (I & L) using Screw (M) to secure.



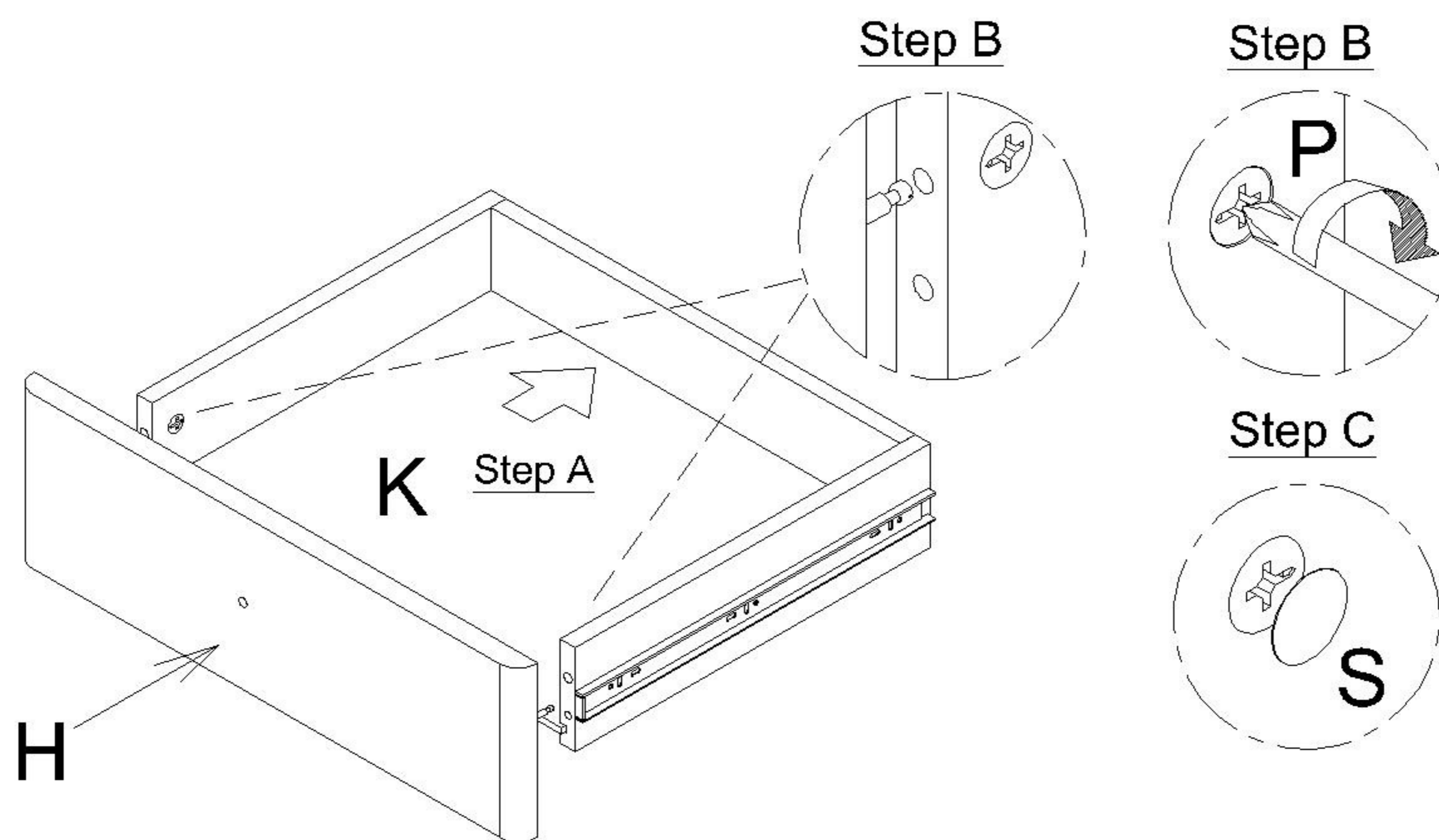
12 Flip over Left & Right Drawer Side (I & L). Insert Dowel (R) to Left & Right Drawer Side (I & L) & Drawer Back (J). Attach Cam Lock (P) to Left & Right Drawer Side (I & L) & Drawer Back (J). Attach Cam Bolt (Q) to Left & Right Drawer Side (I & L) & Drawer Front (H).



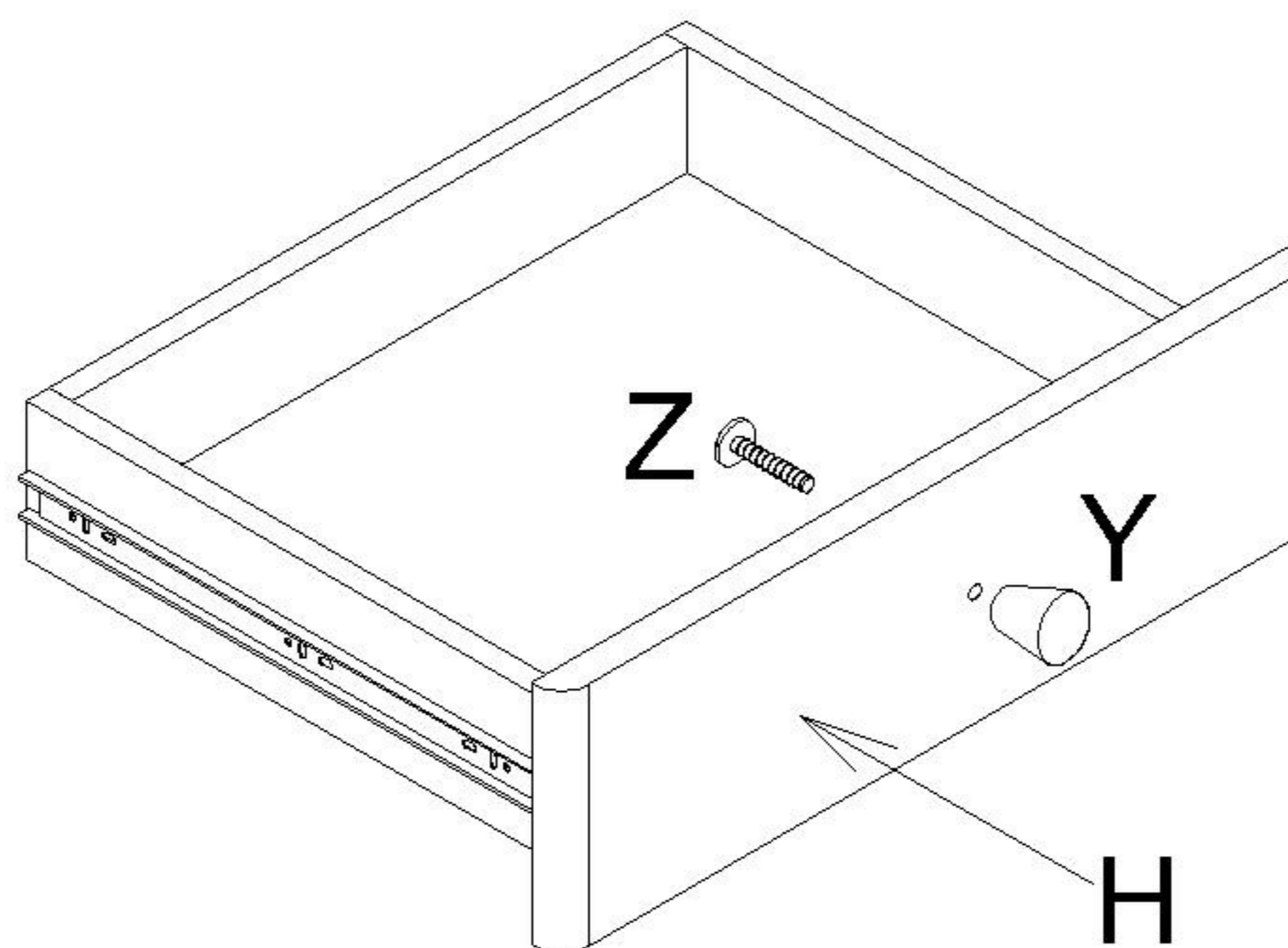
13 Attach Left & Right Drawer Side (I & L) to Drawer Back (J) and secure with Cam Lock (P). Use Cam Lock Cover (S) to cover Cam Lock (P).



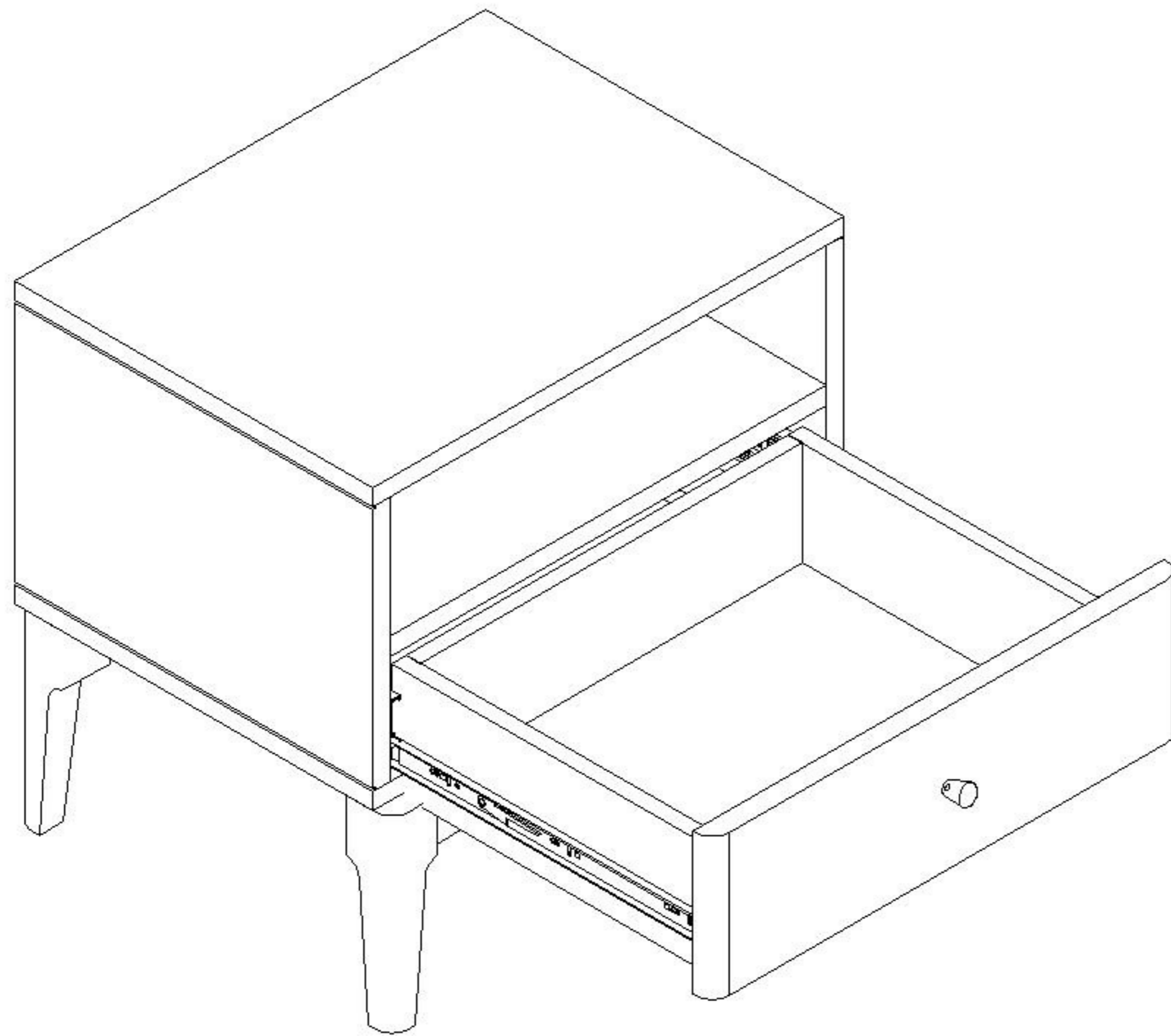
14 Slot Drawer Base (K) in corresponding grooves. Attach Drawer Front (H) to Drawer Box and secure with Cam Lock (P). Use Cam Lock Cover (S) to cover Cam Lock (P).



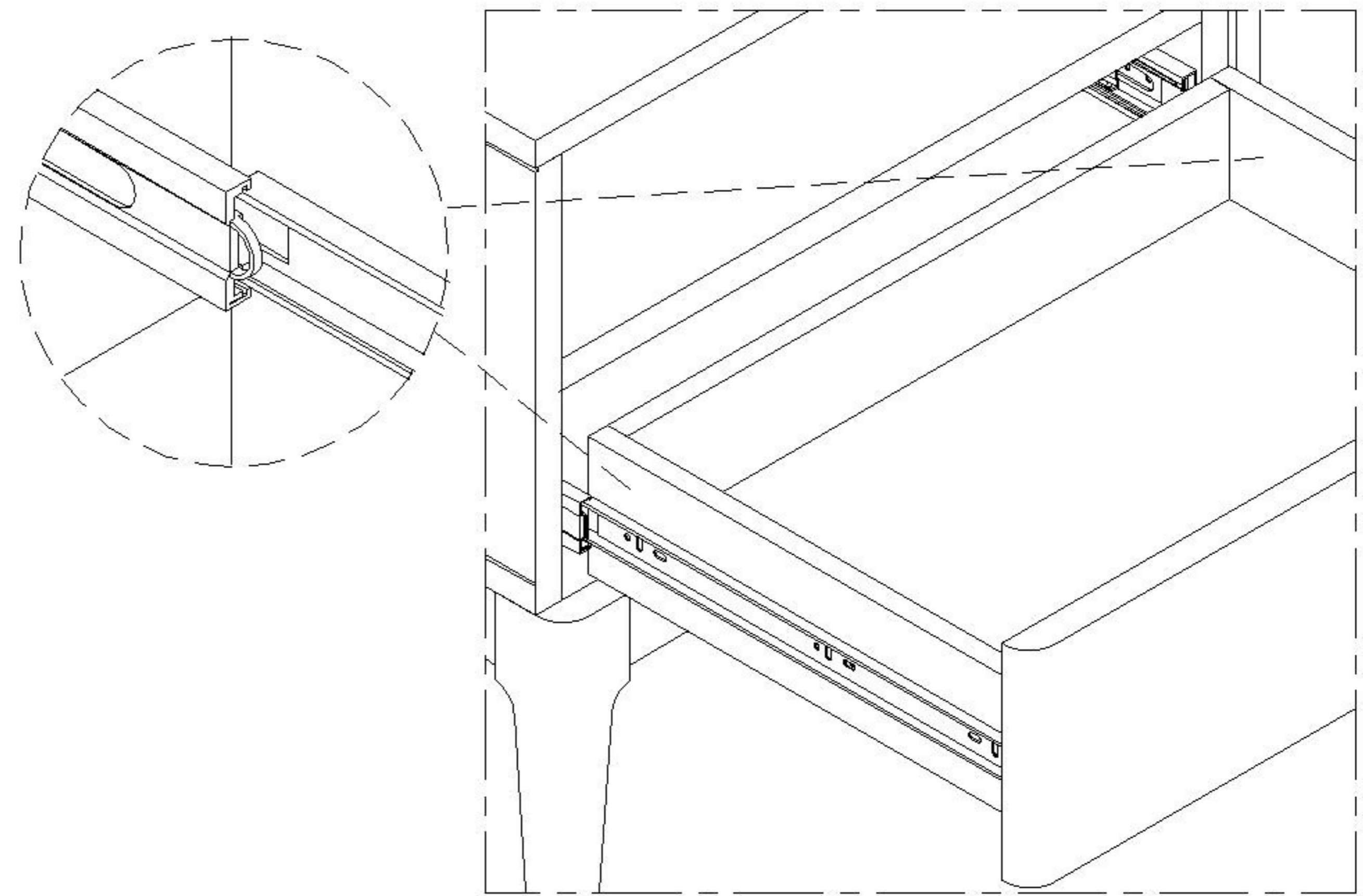
15 Attach Handle (Y) to Drawer Front (H) and secure using Panhead Screw (Z).



16 Slot Drawers into assembled unit.



EXTENSION RUNNER ASSEMBLE STEPS:



NOTE : Align and pull/push the triggers on both sides of drawer box into the metal track on interior side of side panel.

Cleaning & Care

Treat surface with care. Surface is resistant to scratches but is not scratch resistant. Clean surfaces with a dry or damp soft cloth. Do not use abrasive cleaners. Hardware may loosen over time. Periodically check that all connections are tight.