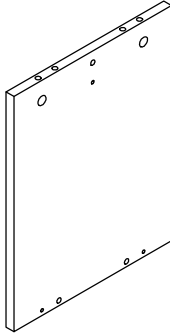
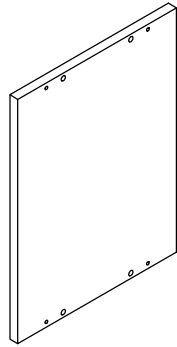


Ax1



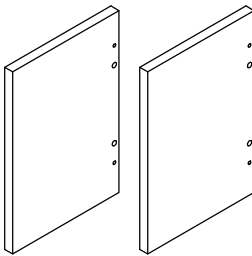
Bx1



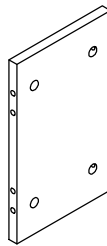
Cx1



Dx1



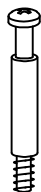
Ex1



Fx2



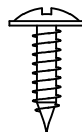
Gx14



Hx14



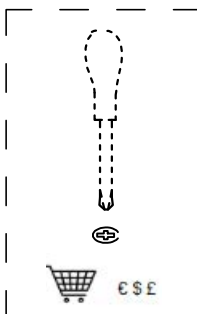
Ix14



Jx6



Kx6



mm  
inch

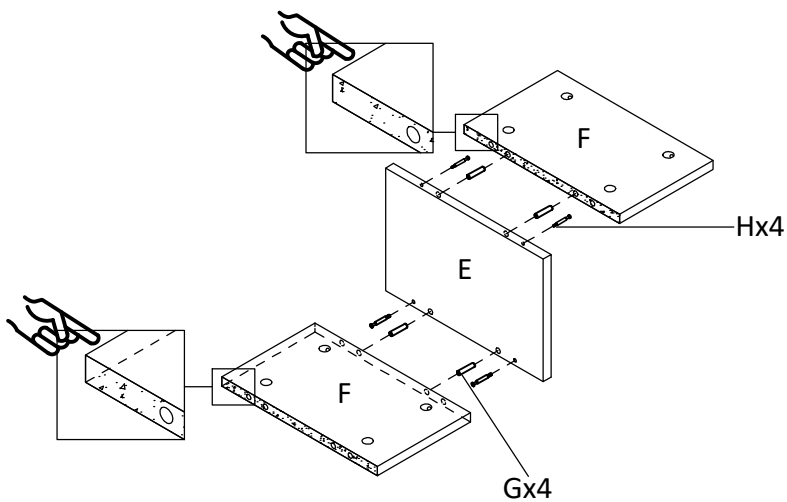
x2

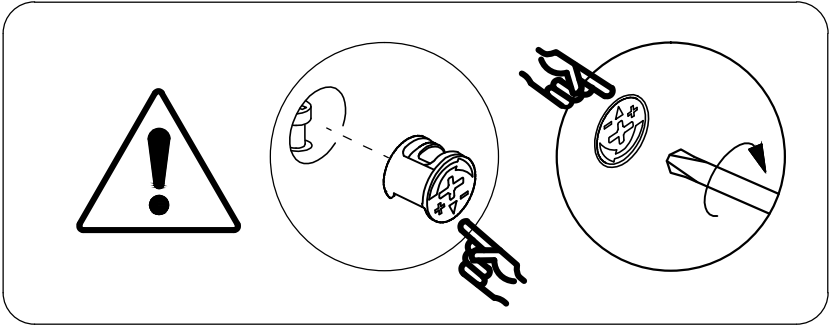
①

Gx4



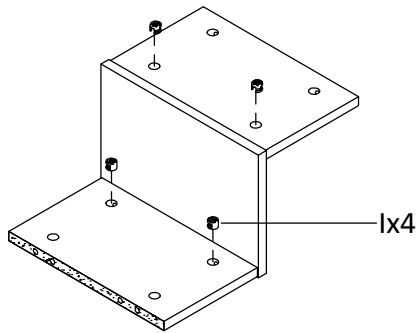
Hx4





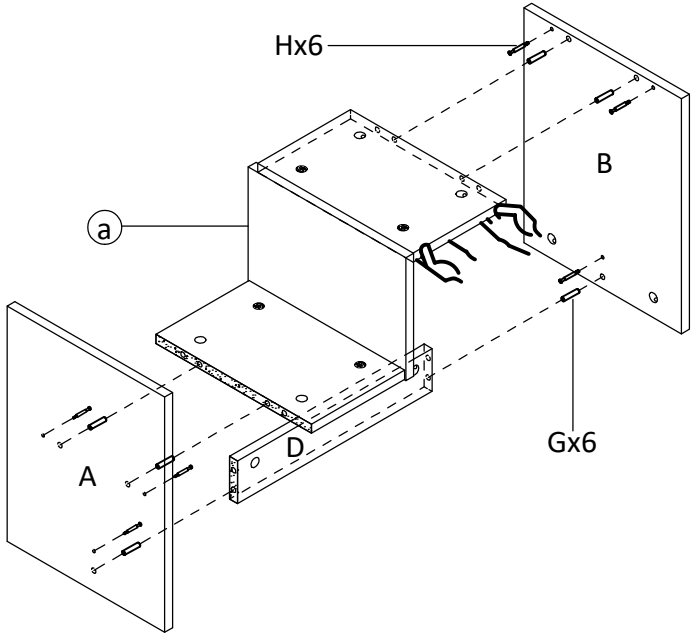
2

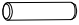
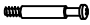
1x4



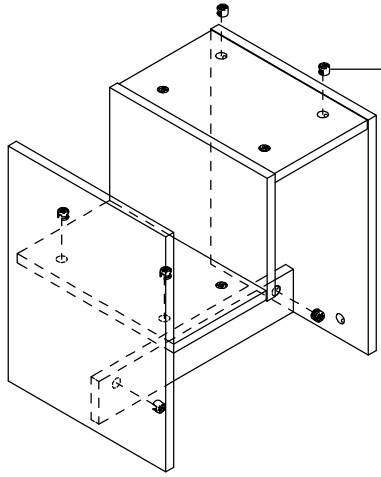
a

3



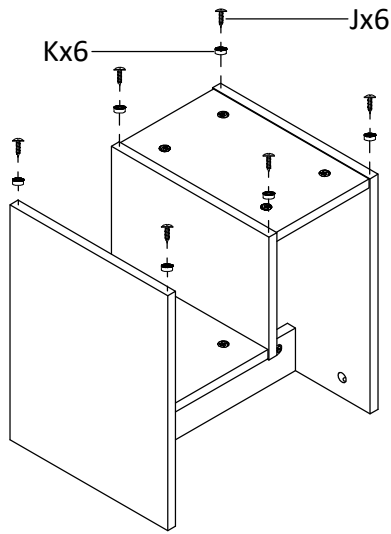
- Gx6 
- Hx6 

4



- lx6 

5



Jx6

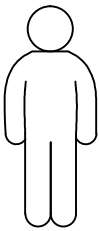
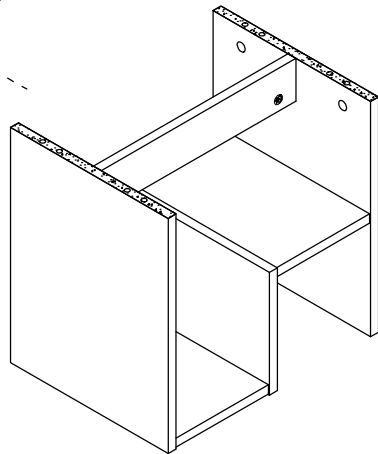
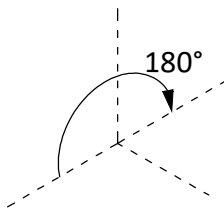
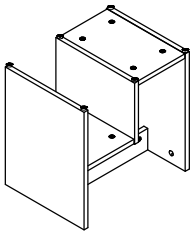


Kx6



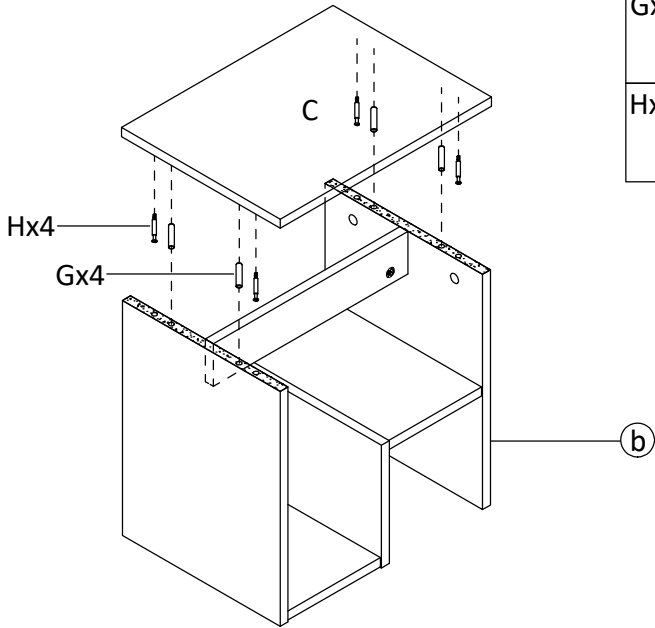
b

6



x2

7



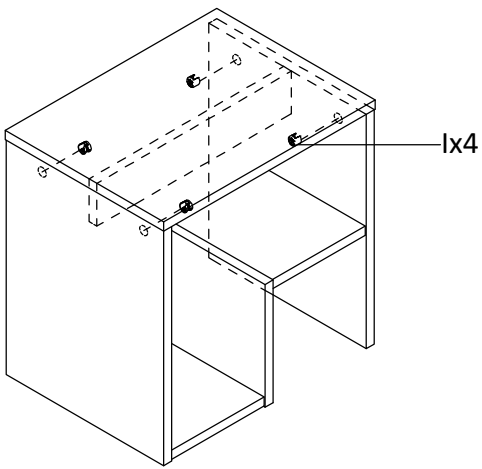
Gx4



Hx4



8



Ix4

