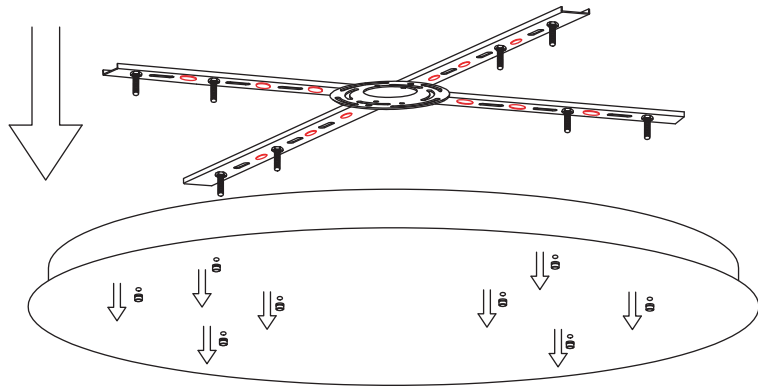
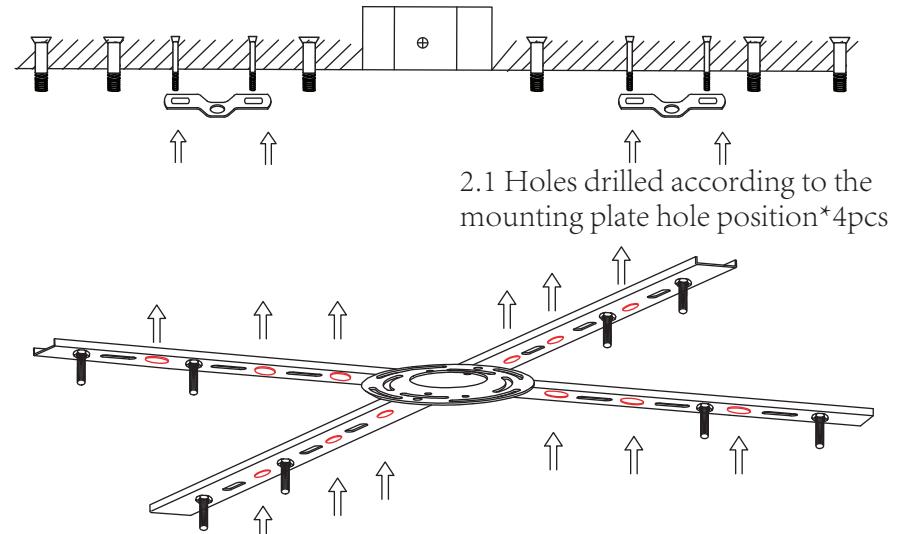


1



1. Unpacking the box to remove the mounting plate from the canopy

2

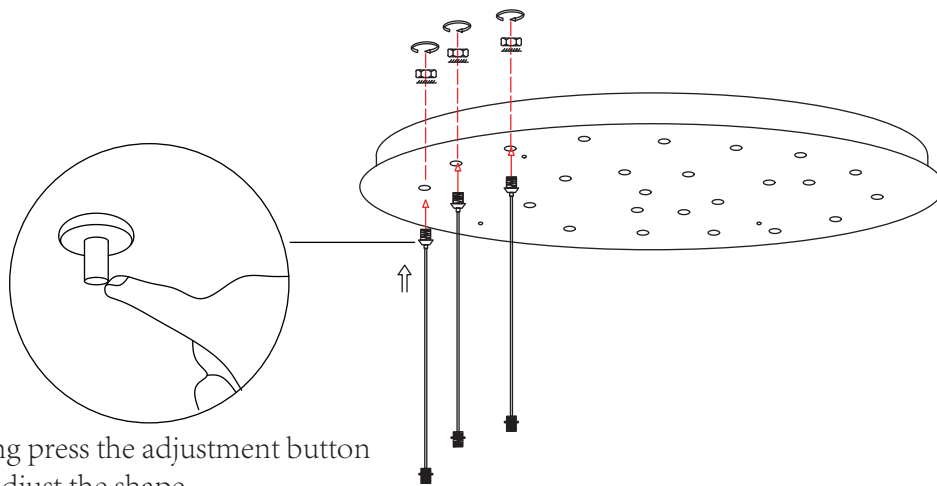


2.1 Holes drilled according to the mounting plate hole position\*4pcs

2.2 Drill pre-built holes\*12PCS in the concrete ceiling according to the mounting plate hole position

2.3 Install expansion bolts and ensure that they are tightly installed

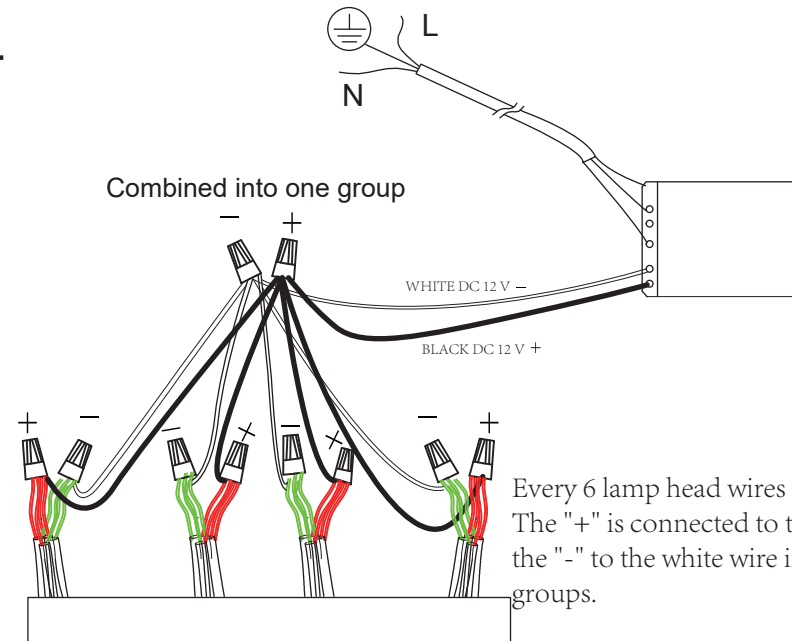
3



Long press the adjustment button to adjust the shape

Fix the lamp head cable to the ceiling plate with a nut and adjust the desired height.

4

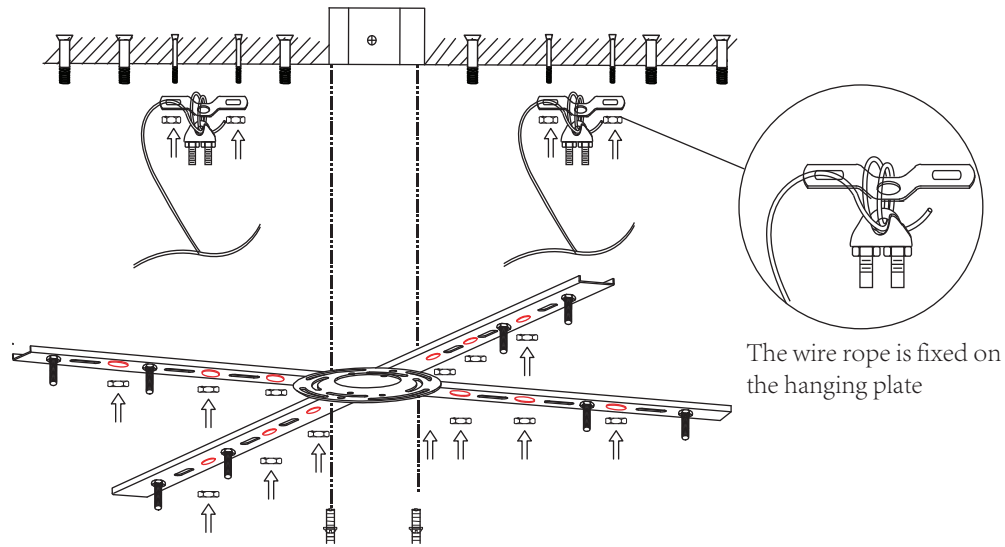


Combined into one group

WHITE DC 12 V -  
BLACK DC 12 V +

Every 6 lamp head wires in one group. The "+" is connected to the black wire and the "-" to the white wire in 2 parallel groups.

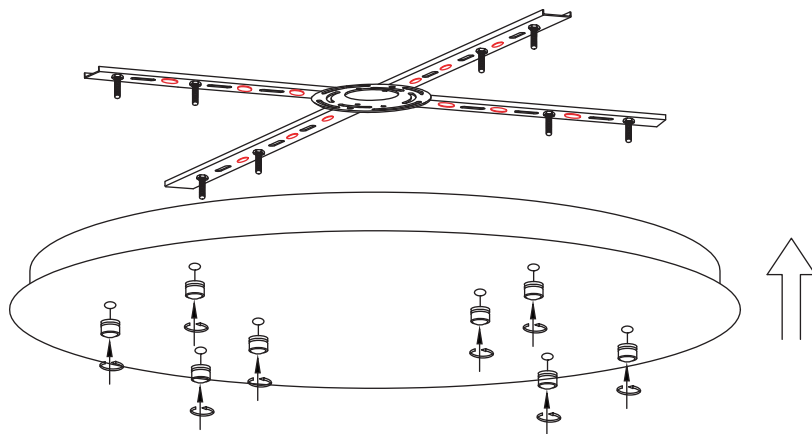
5



The wire rope is fixed on the hanging plate

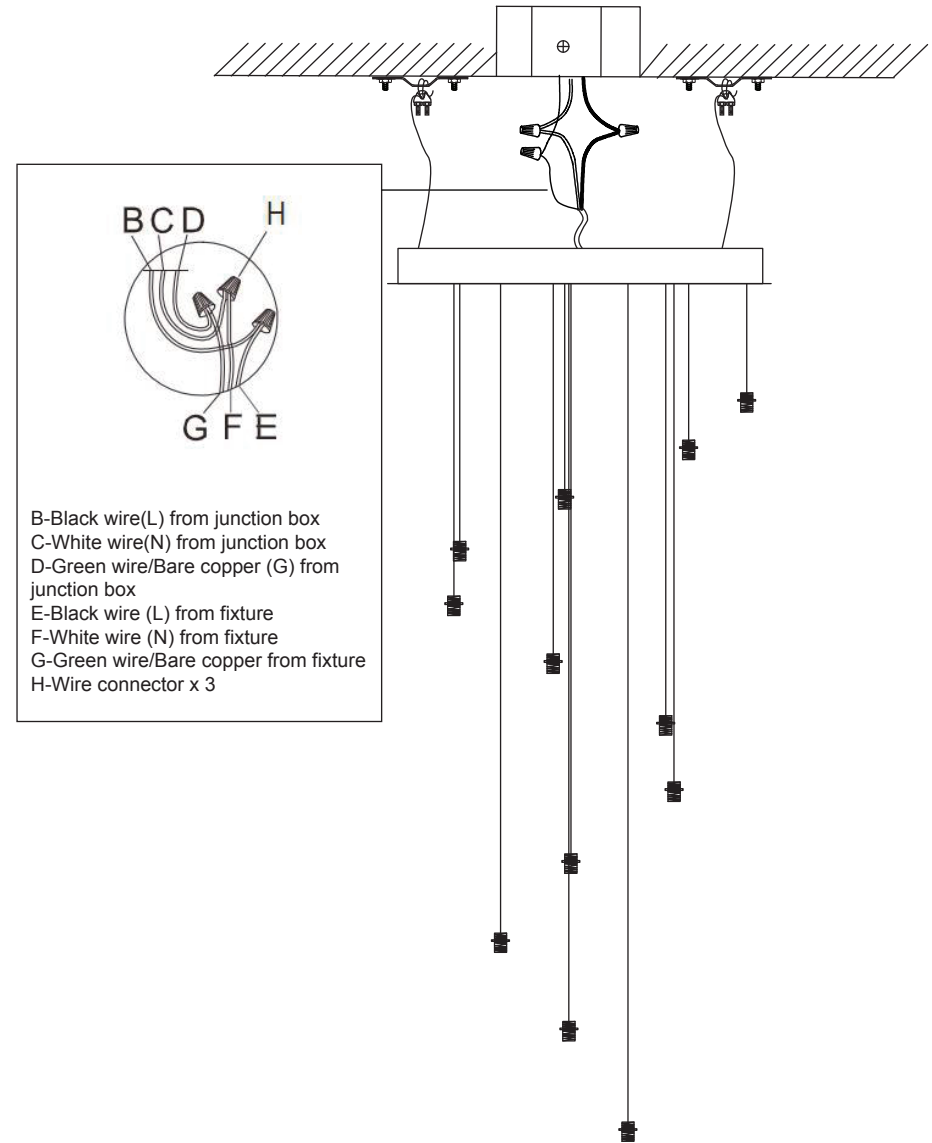
- 5.1 Fasten the cross plate to the junction box and expansion bolts with screws and nuts.
- 5.2 Screw the I-beam plate to the ceiling expansion bolts and fasten the wire rope to the plate.

7



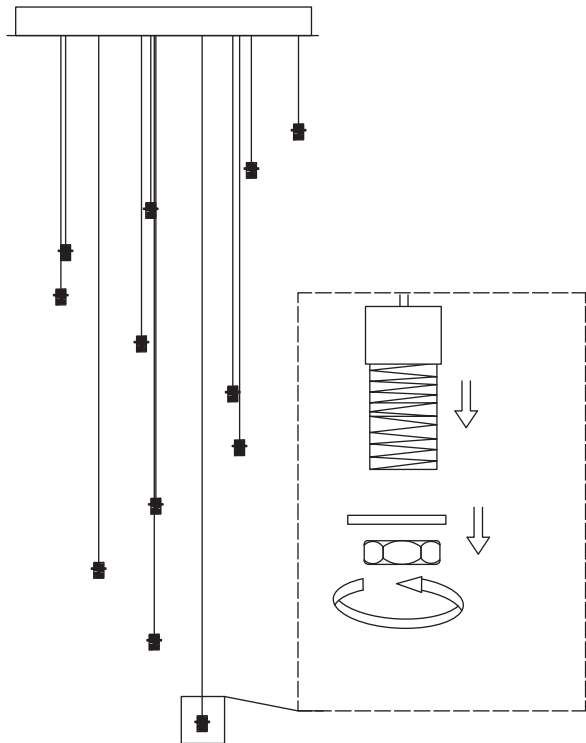
Align the ceiling plate with the canopy and fasten the ceiling plate with the decorative nut.

6



- B-Black wire(L) from junction box
- C-White wire(N) from junction box
- D-Green wire/Bare copper (G) from junction box
- E-Black wire (L) from fixture
- F-White wire (N) from fixture
- G-Green wire/Bare copper from fixture
- H-Wire connector x 3

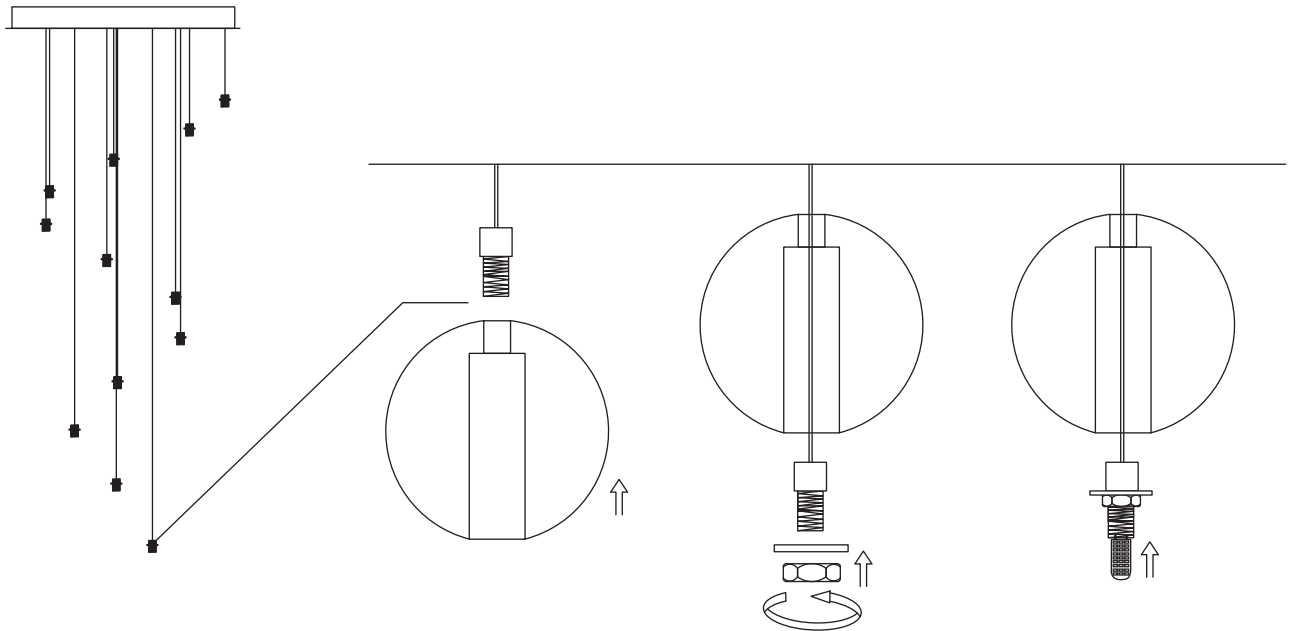
8



Twist out the nut and spacer downwards

9

## Installation of crystal balls and bulbs



9.1 Crystal ball up through the lamp head

9.2 Fixing tight spacers with nuts

9.3 Finally, insert the lamp head up wards into the G4 bulbs.

Note: Only suitable for G4 12V LED MAX 3W bulbs.