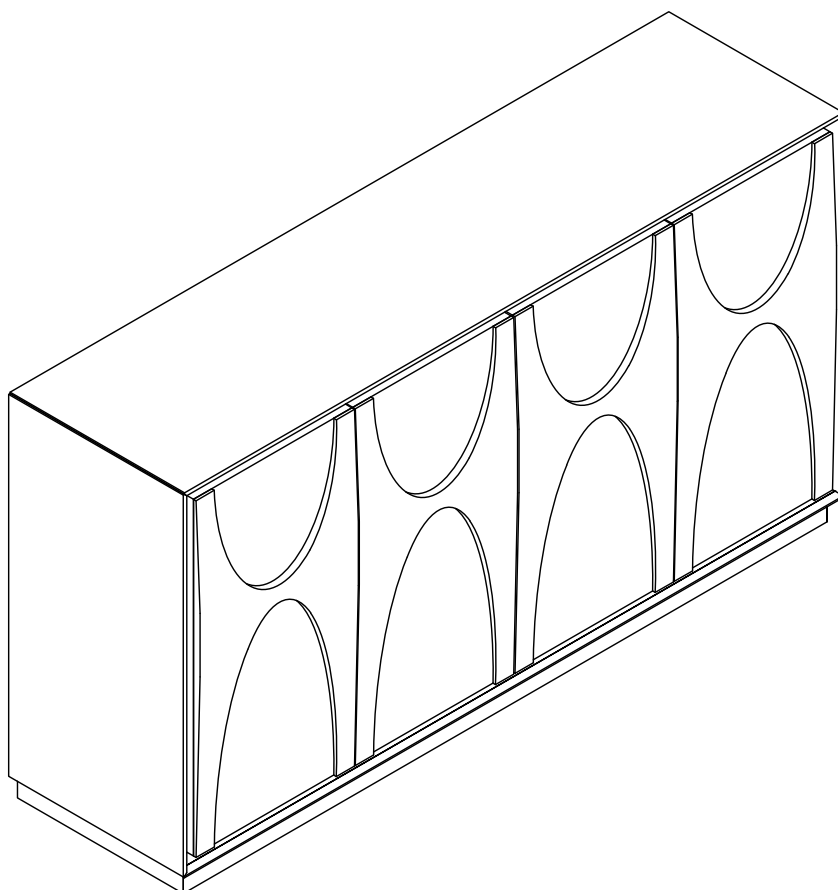


Assembly Instructions

Caution: You must read this before you proceed

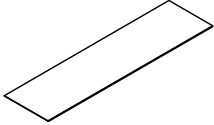



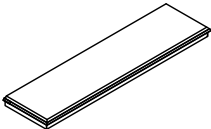
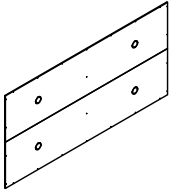


W3137P270233





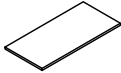
Product name:

sideboard

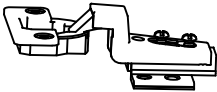











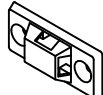
Parts list

Label	Picture	Description	QTY
①		Top Panel	1
②		Left side panel	1
③		Right side panel	1
④		middle panel	1
⑤		Bottom frame	1
⑥		Back panel	1
⑦		Left side door	1
⑧		Left middle door	1

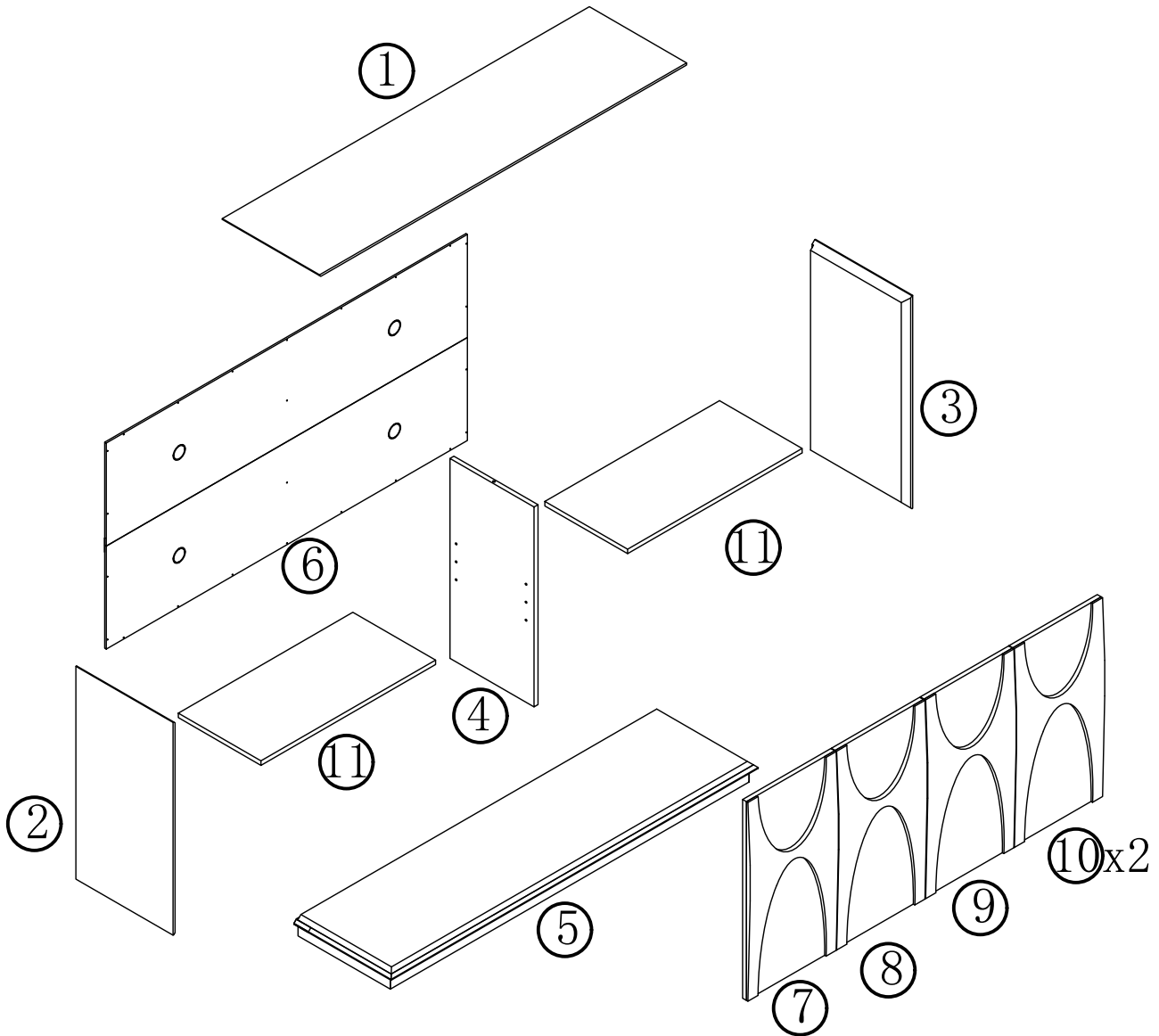
Parts list

Label	Picture	Description	QTY
⑨		Right middle door	1
⑩x2		Right side door	1
⑪		shelves	2

Hardware

Label	Picture	Description	QTY
A		Larger cuts for side doors	4
B		Smaller cuts fit in the middle doors	4
C		M4x16mm screws	48
D		M3.5x15mm screws	24
E		Bracket	8
F		Buffer	4
G		wood dowel	2
H		Allen Wrench (80*30mm)	1
I		Plastic Anchor (Wall Plug)	4
J		M3.5x38mm screws	4
K		M3.5x19mm screws	4
L		Nylon Restraint Strap	2
M		Mounting Brackets	4

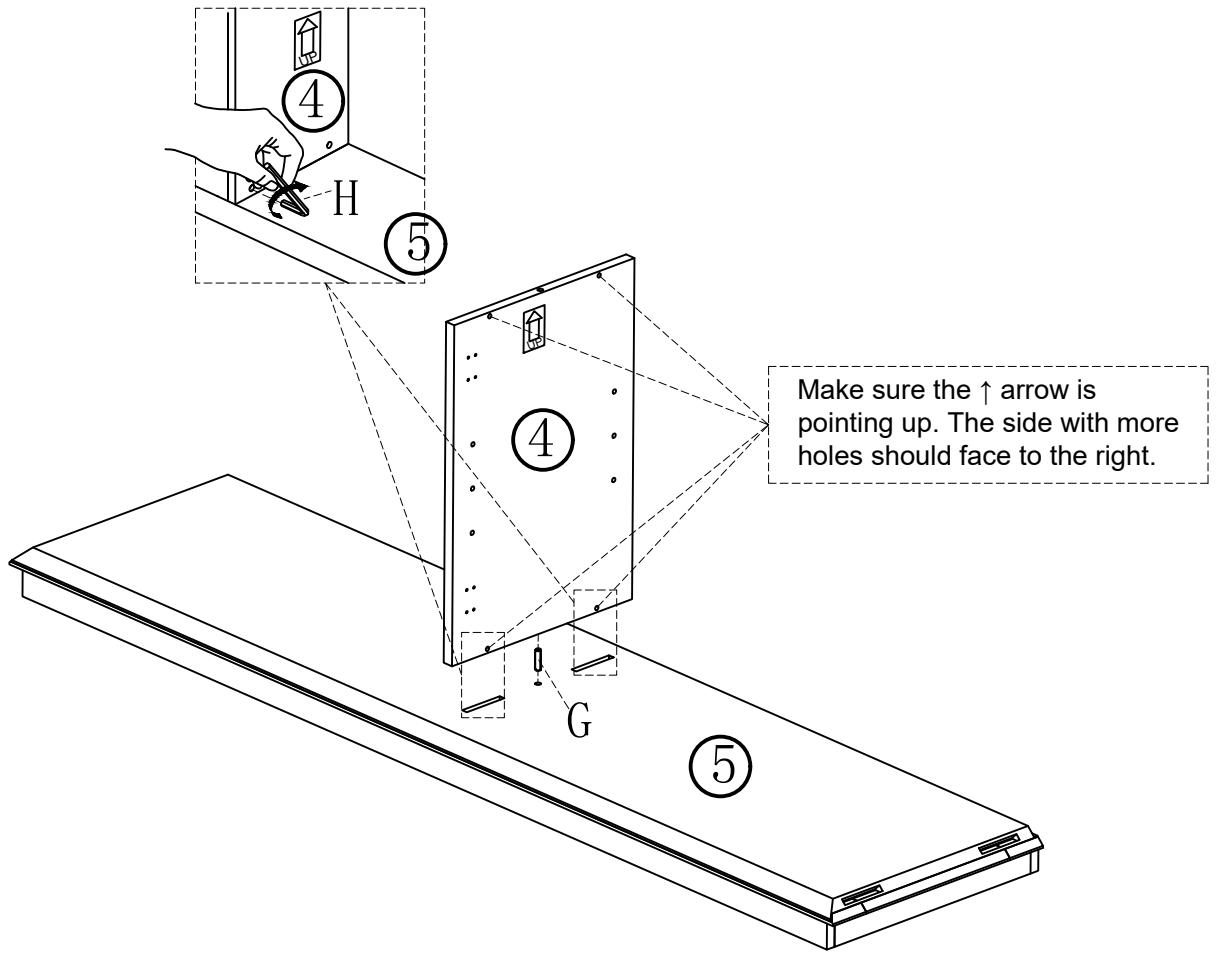
Overview



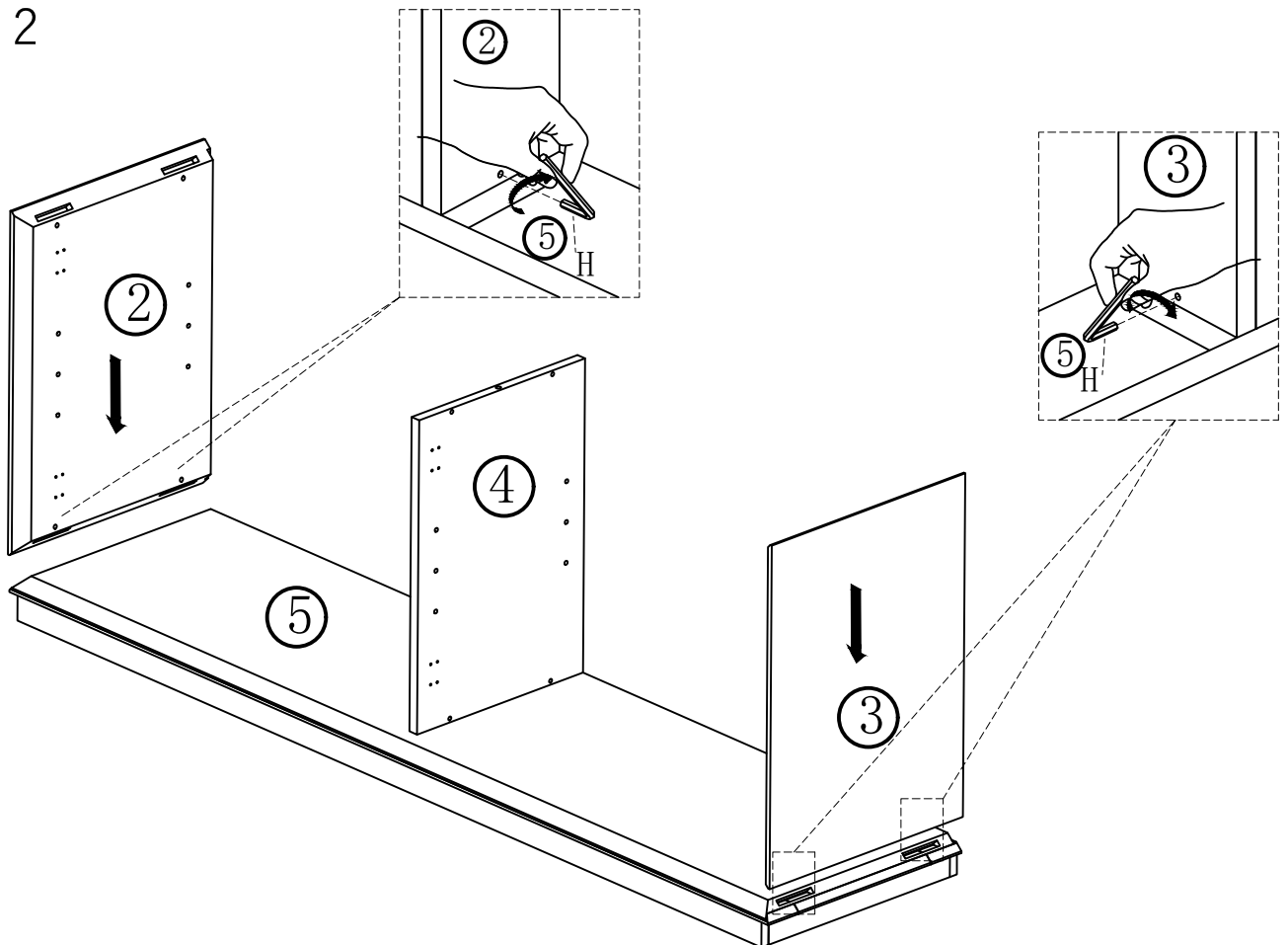
IMPORTANT :

- Read the instructions carefully from cover to cover.
- Do not assemble on flooring or carpet.
- Assemble on a clean non-marring surface (packing foam).
- Save all packaging until finished.
- Do not tighten bolts / screws completely until all bolts / screws are lined up and inserted into holes.
- Do not over tighten screws and bolts to avoid stripping.
- Please always use hand tools to assemble this product and never use power tools.

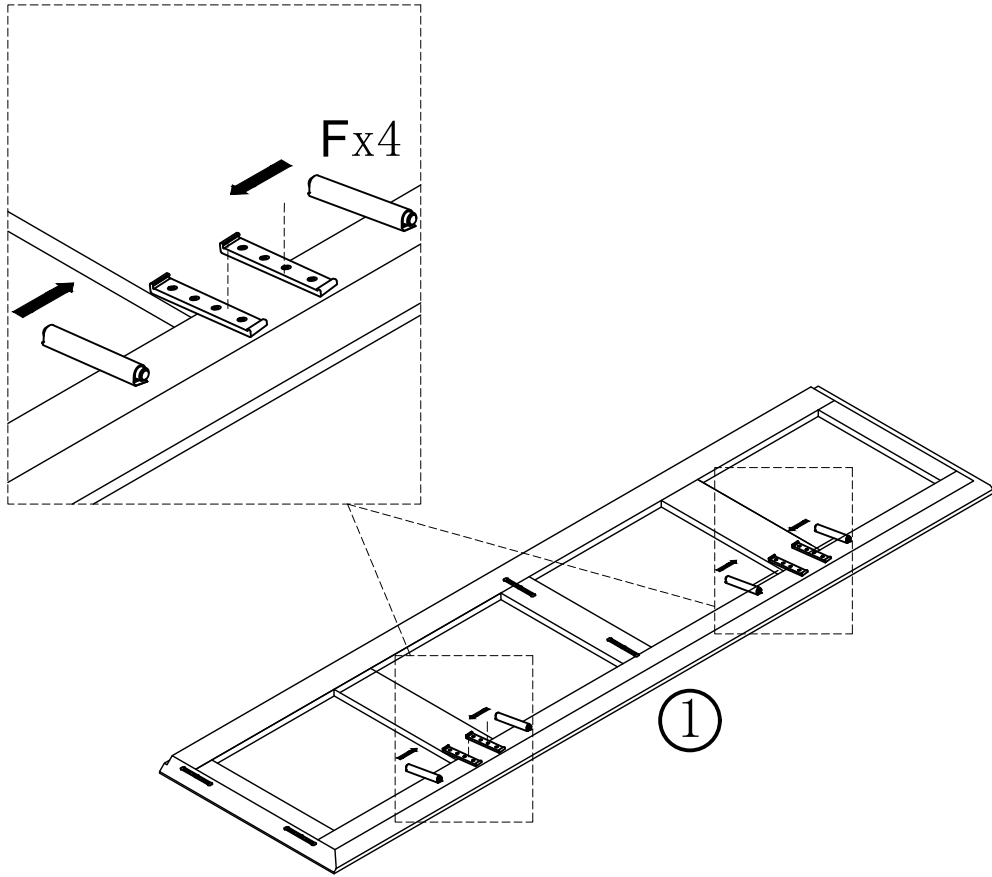
Step 1



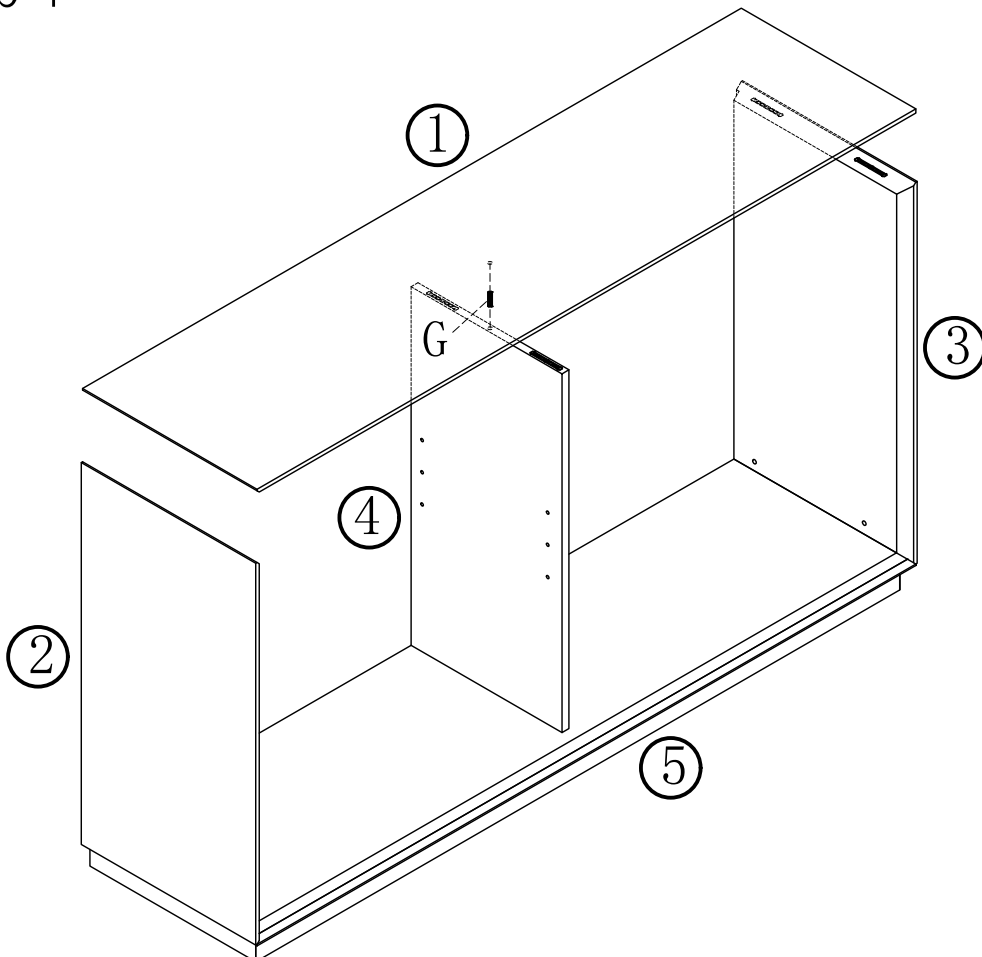
Step 2



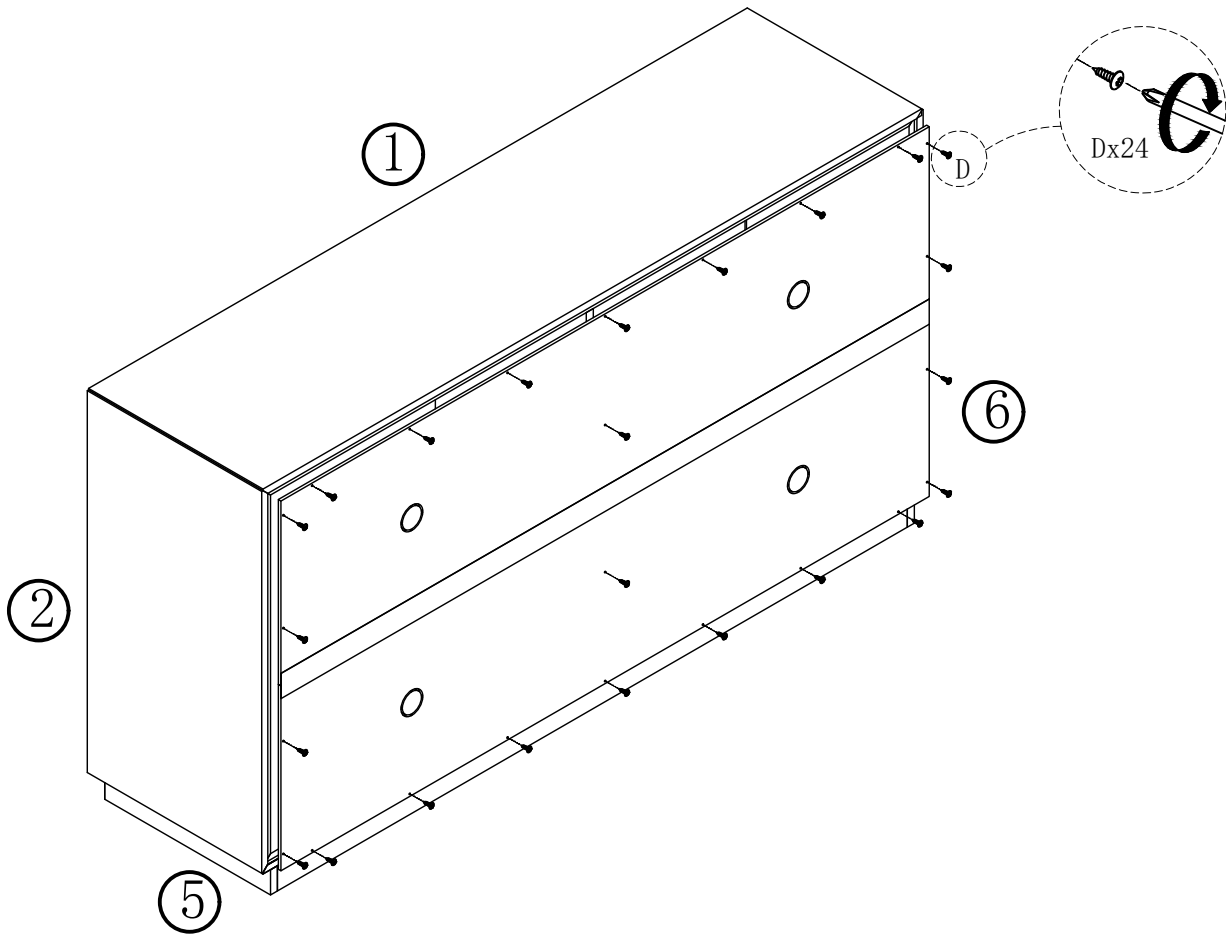
Step 3



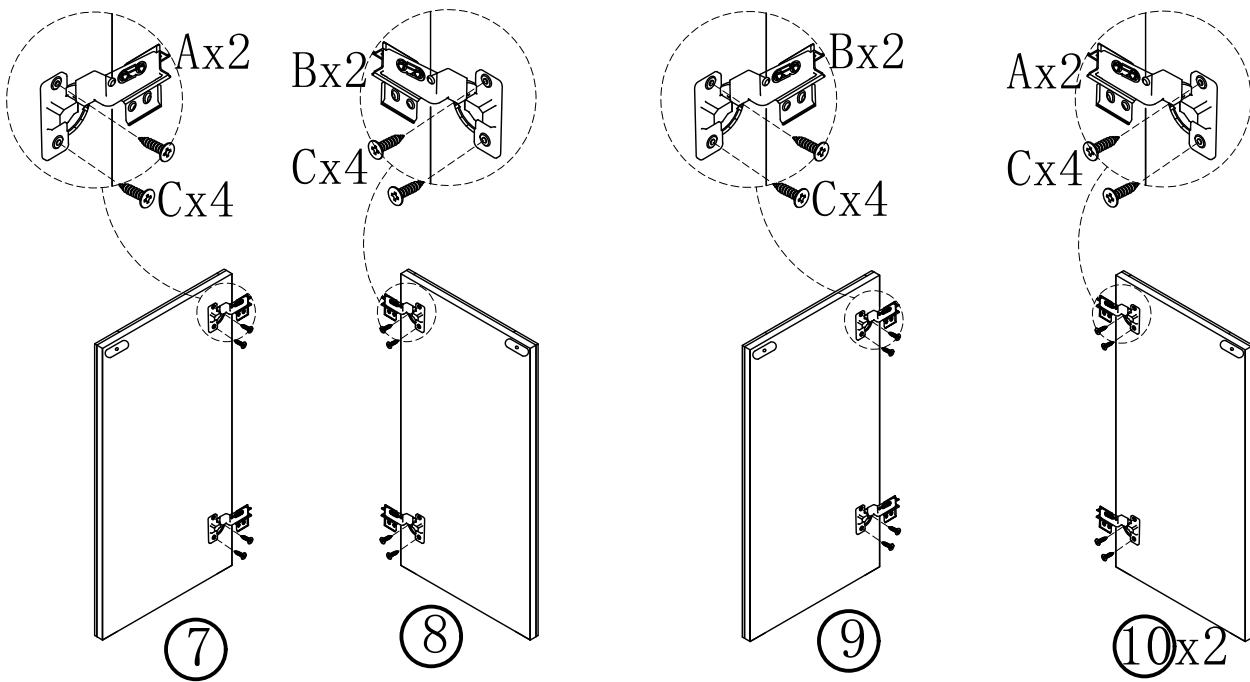
Step 4



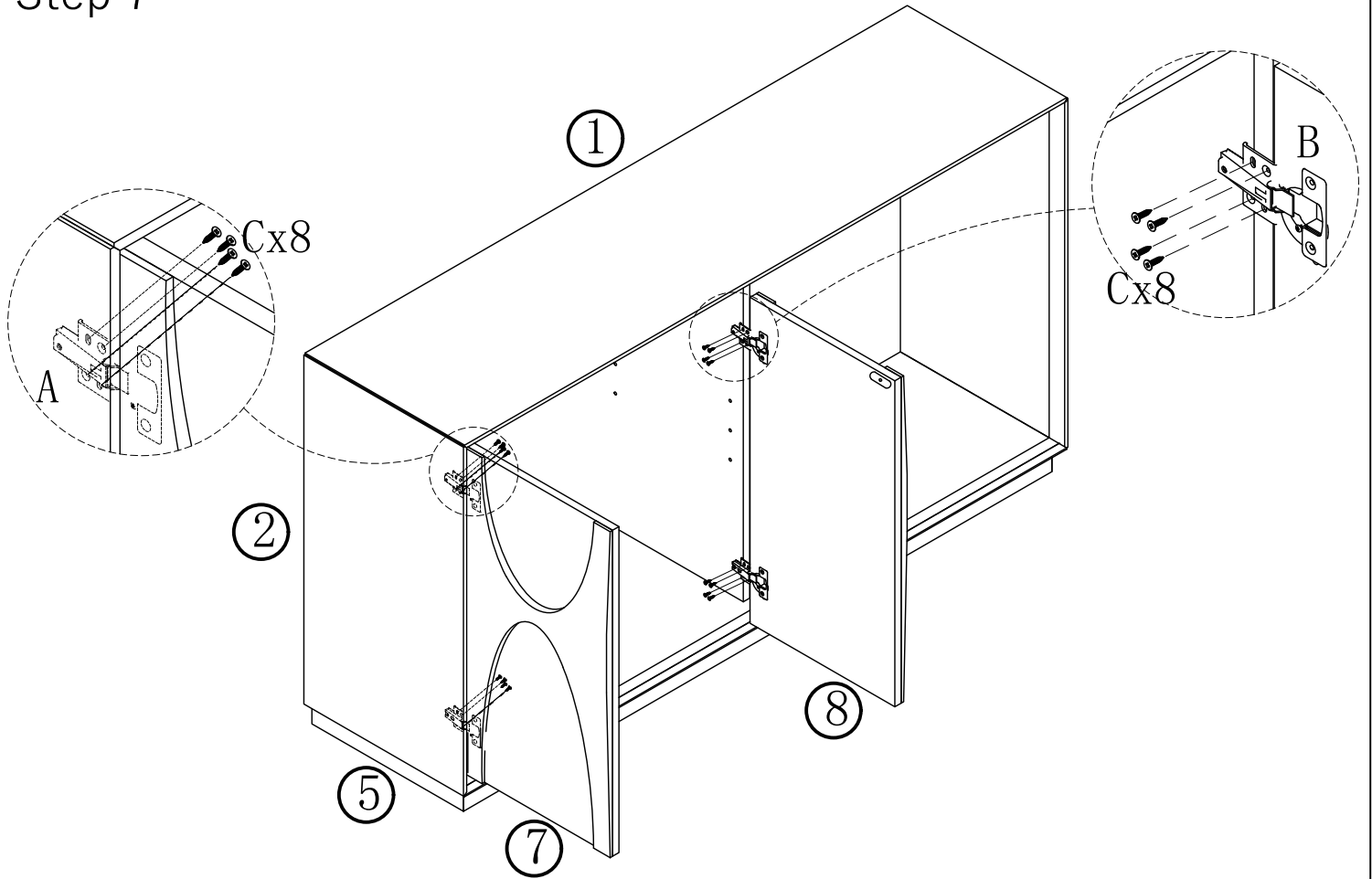
Step 5



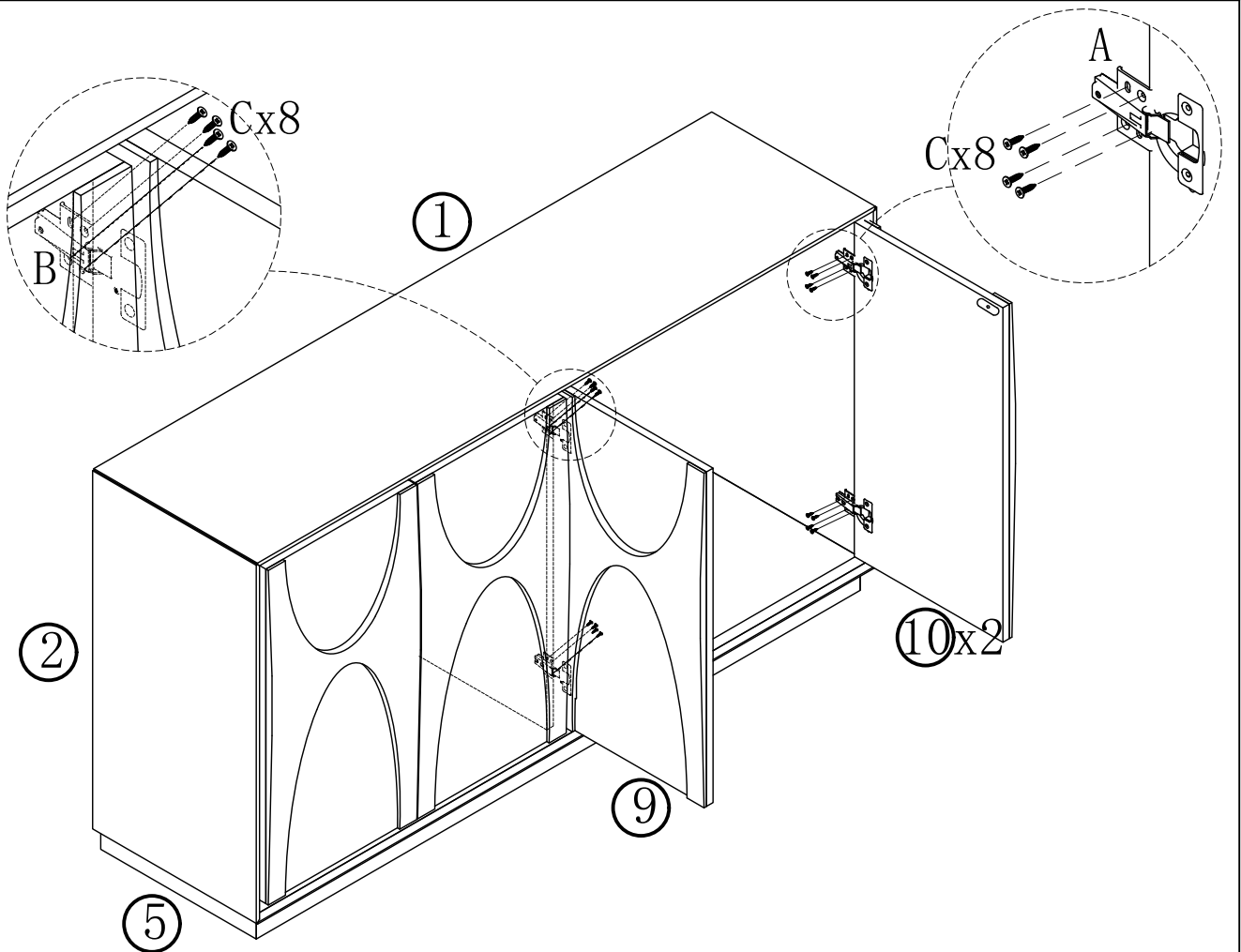
Step 6



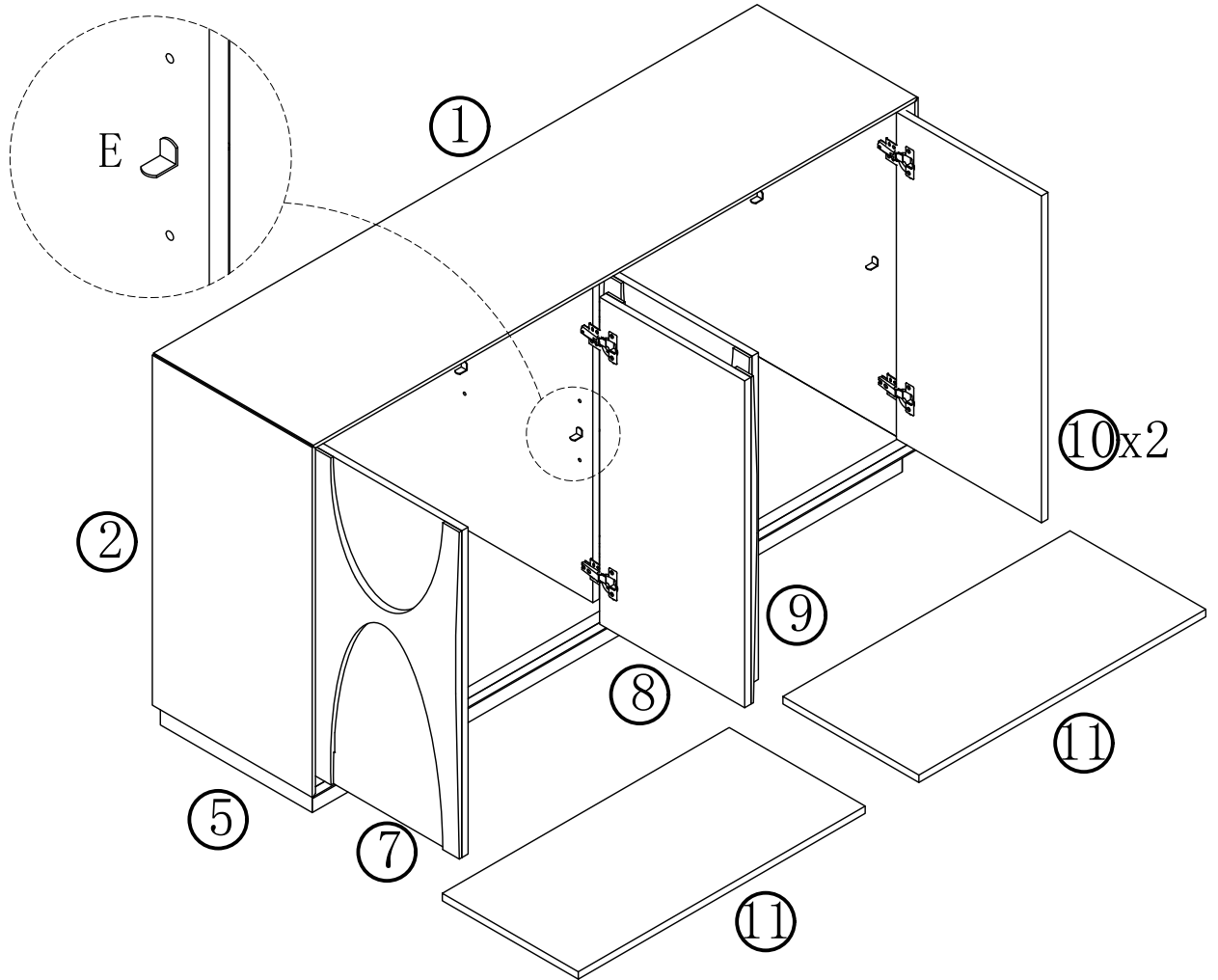
Step 7



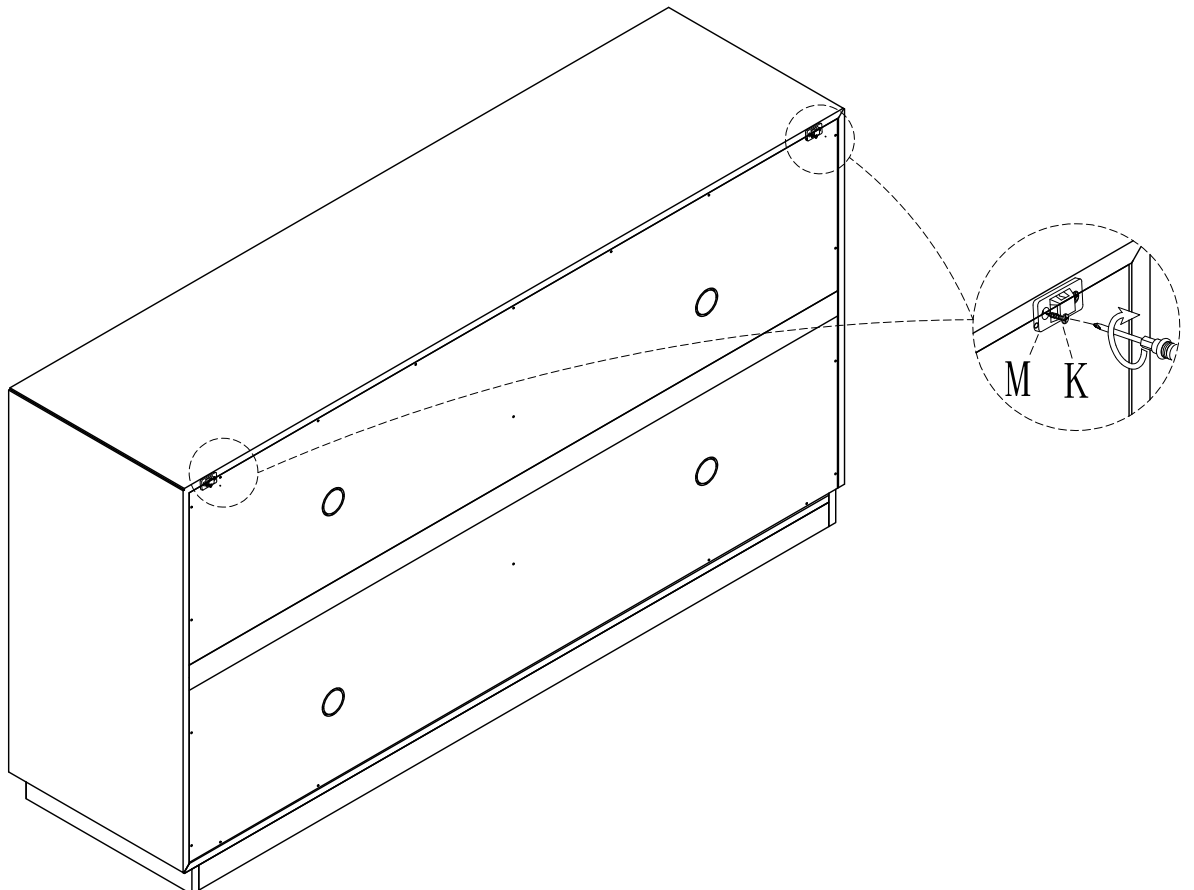
Step 8



Step 9

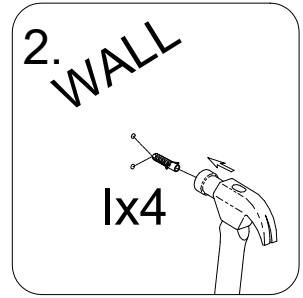
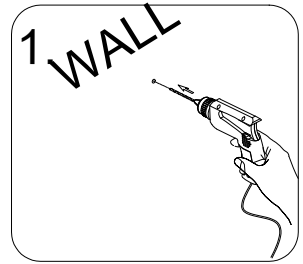
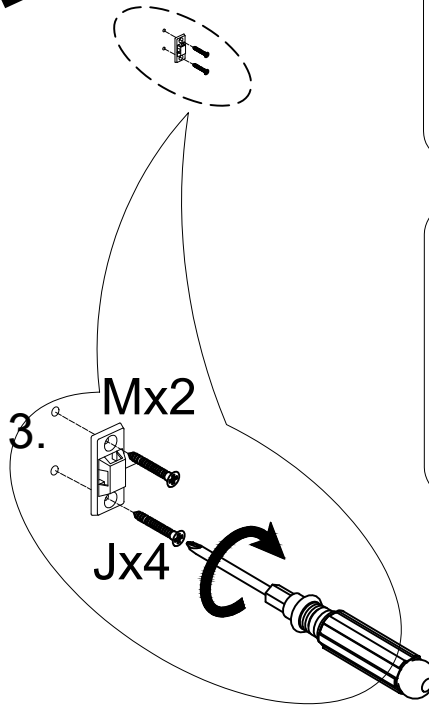


Step 10



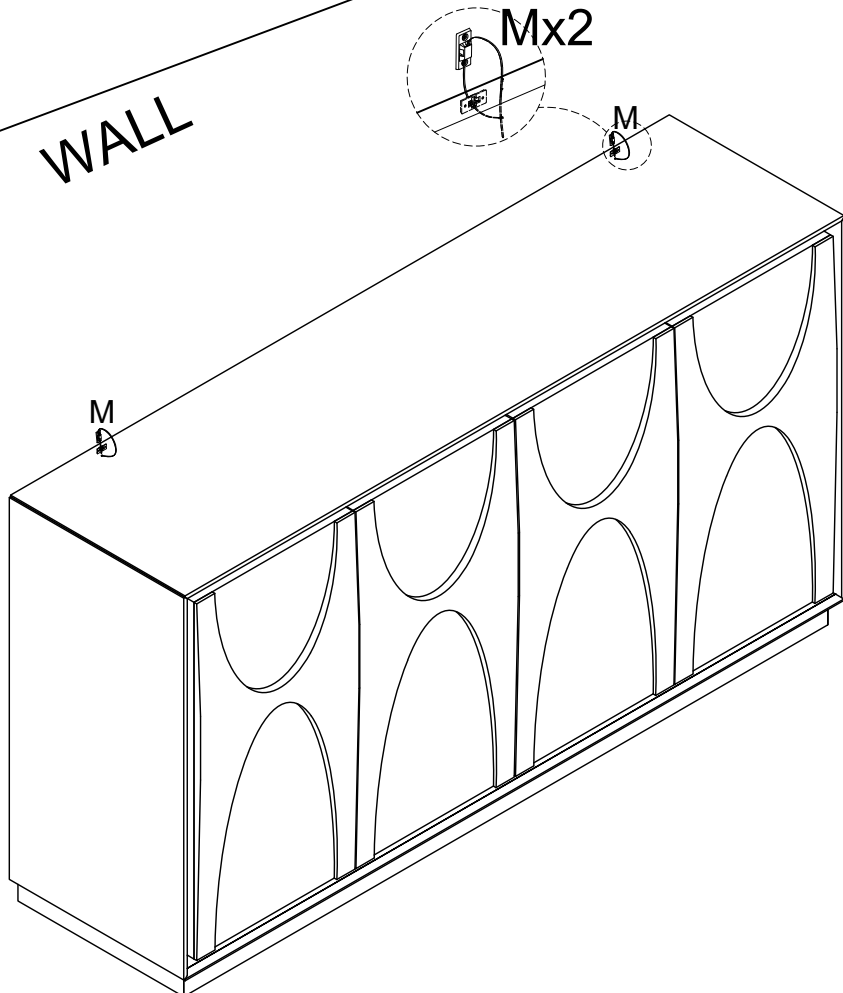
Step 11

WALL

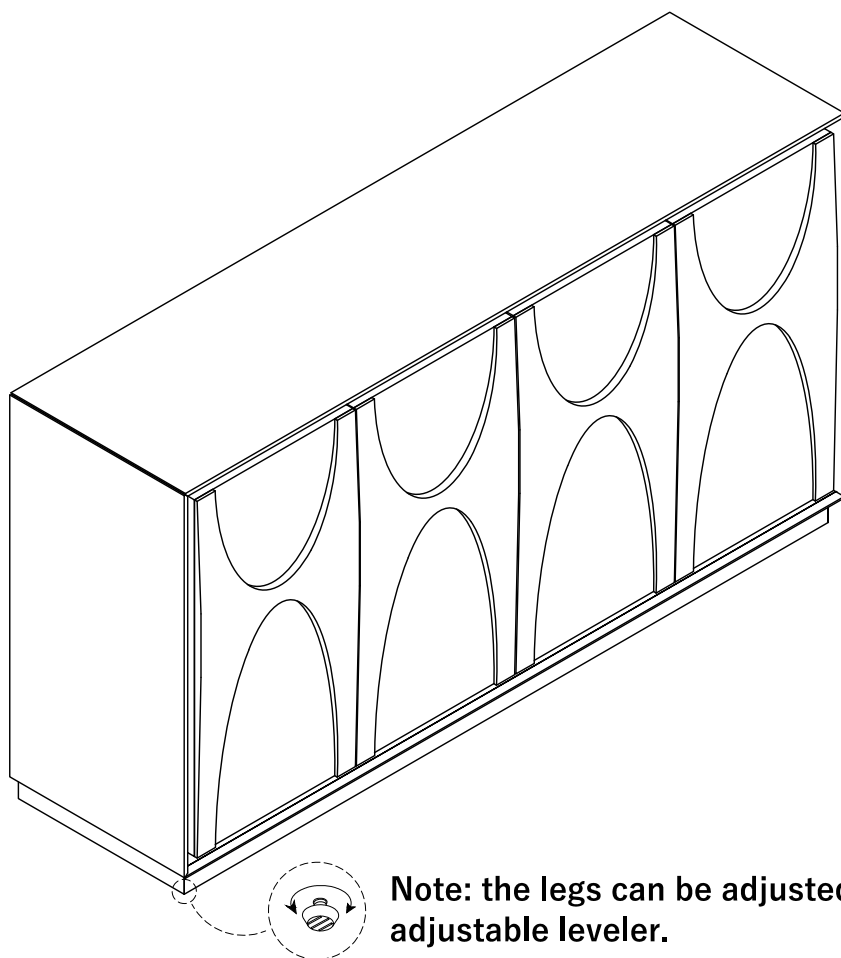


Step 12

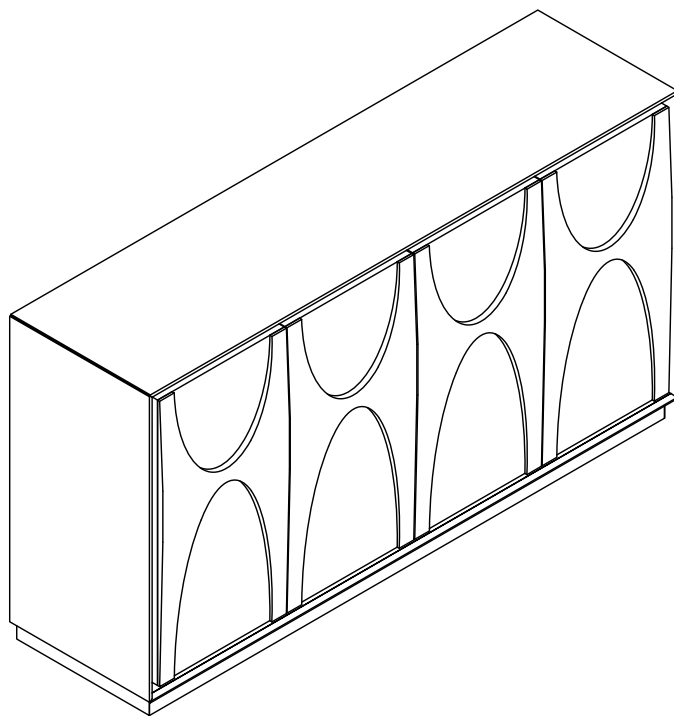
WALL



Step 13



Note: the legs can be adjusted with adjustable leveler.



Your Item is ready for use.
This Item should only be used on a flat, level surface.

Care & Maintenance

- Furniture may scratch the floor. We recommend using furniture pads to protect your floors.
- Do not put hot items directly on furniture surface.
- Do not clean furniture with harsh cleansers or polishers.
- Do not place furniture under direct sunlight.
- Do not place furniture near heating or cooling vents.
- Do not expose the product to high temperatures or humid environments.
- Do not write on furniture without a padded barrier to protect the surface.
- Do not place furniture outside. For indoor use only.
- Stains may be removed with mild soap solution and damp cloth.
- Children should not climb or jump on the furniture.
- Dust and clean up spills using a clean, non-colored, lint-free cloth.
- Regularly check screws to ensure stability.

Dear Customer,

Thank you for your purchase! We are committed to providing you with high-quality products and services. We hope you enjoy the comfort and convenience brought by this Item. If you have any further questions or any quality issues, please show the below number and don't hesitate to contact our Customer Service People:

W3137P270233

WARNING!!

Children have died from furniture tip over. Tip restraints have been included with this product; you must install the tip restraints according to these instructions in order to minimize the risk of furniture tipping.

NEVER allow children to climb or hang on furniture, including drawers or cabinet doors.

In addition to installing the restrains, to help prevent tip-over:

1. NEVER put a TV or other heavy objects on top of this product.
2. Do not stand on the product.

⚠ WARNING	
	<p>Children have died from furniture tipover. To reduce the risk of furniture tipover:</p> <ul style="list-style-type: none">• ALWAYS install tipover restraint provided.• NEVER put a TV on this product.• NEVER allow children to stand, climb or hang on drawers, doors, or shelves.• NEVER open more than one drawer at a time.• Place heaviest items in the lowest drawers.• Do not defeat or remove the drawer interlock system.
	<p><i>This is a permanent label. Do not remove!</i></p>