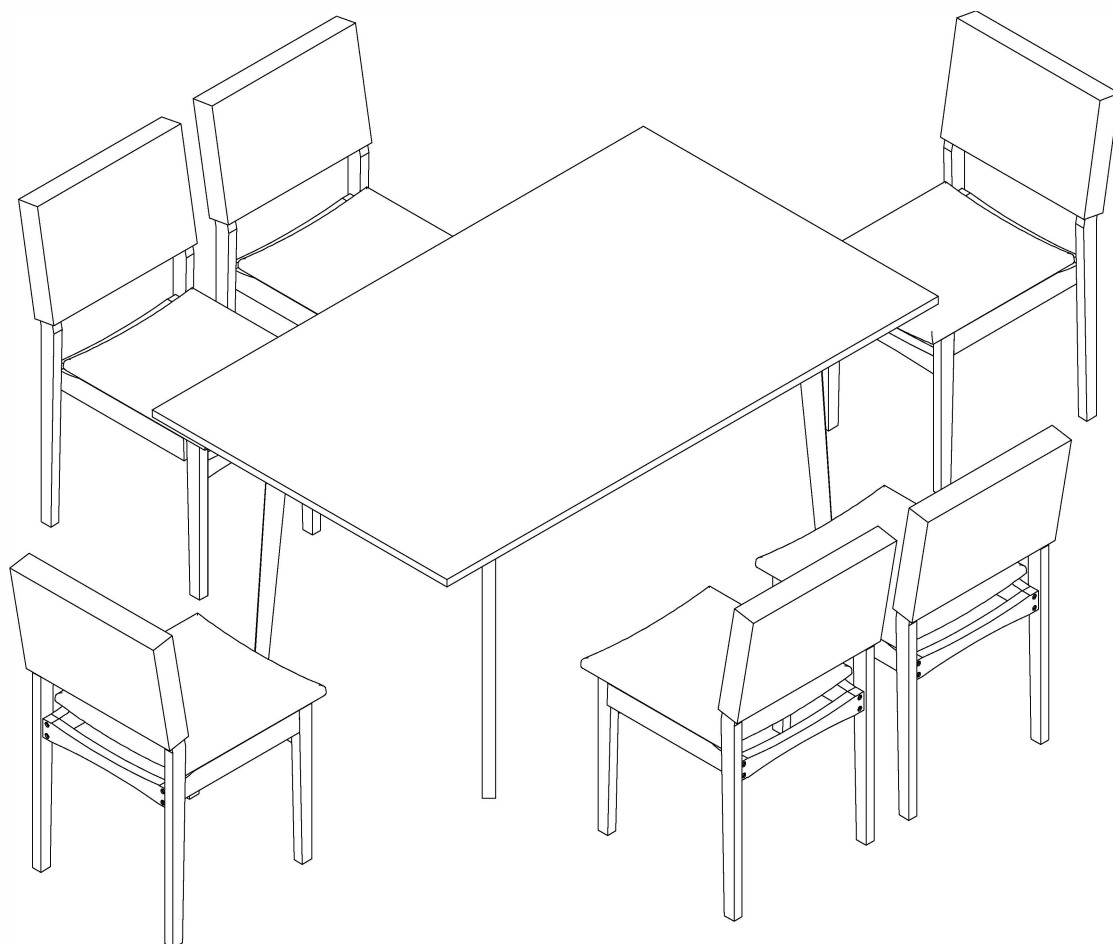


ASSEMBLY INSTRUCTIONS

INSTRUCTIONS DE MONTAGE

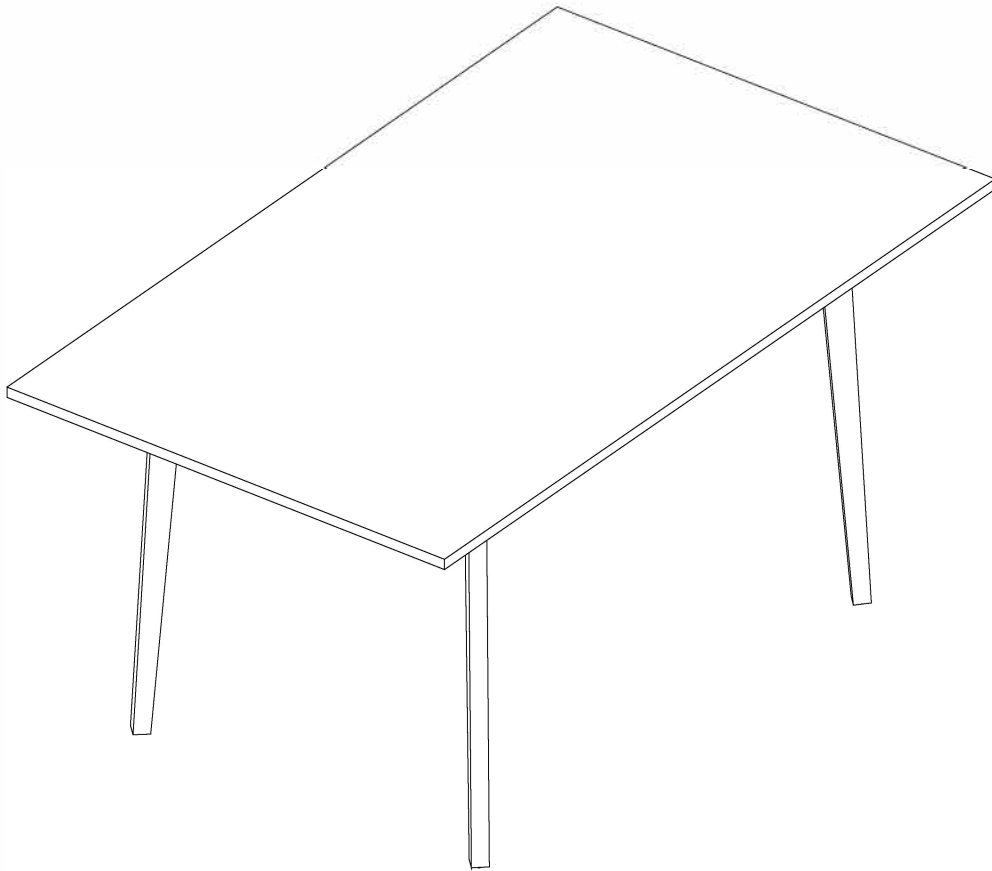
7PCS DINNING SETS



ASSEMBLY INSTRUCTIONS

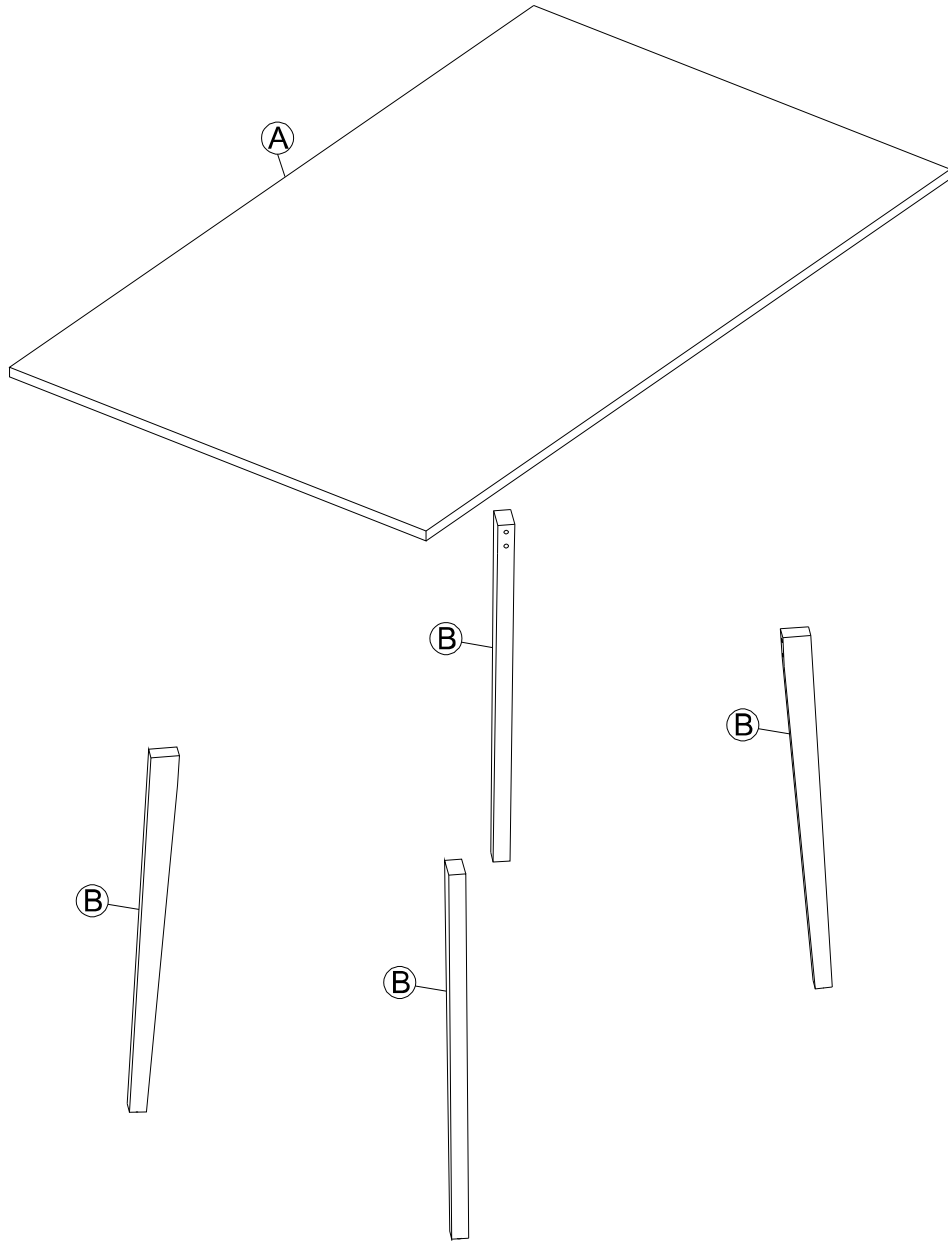
INSTRUCTIONS DE MONTAGE

DINNING TABLE

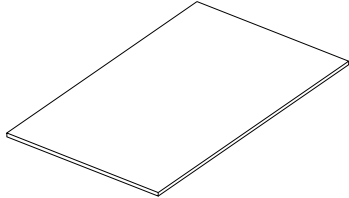



DETAIL VIEW





Vue Détaillée



Part List: Liste des pièces

<div style="border: 1px solid black; padding: 2px; display: inline-block;">A</div> 1PC  <p style="text-align: center;">Table top Dessus de la table</p>	<div style="border: 1px solid black; padding: 2px; display: inline-block;">B</div> 4PCS  <p style="text-align: center;">Table Legs Pied de table</p>	
--	---	--

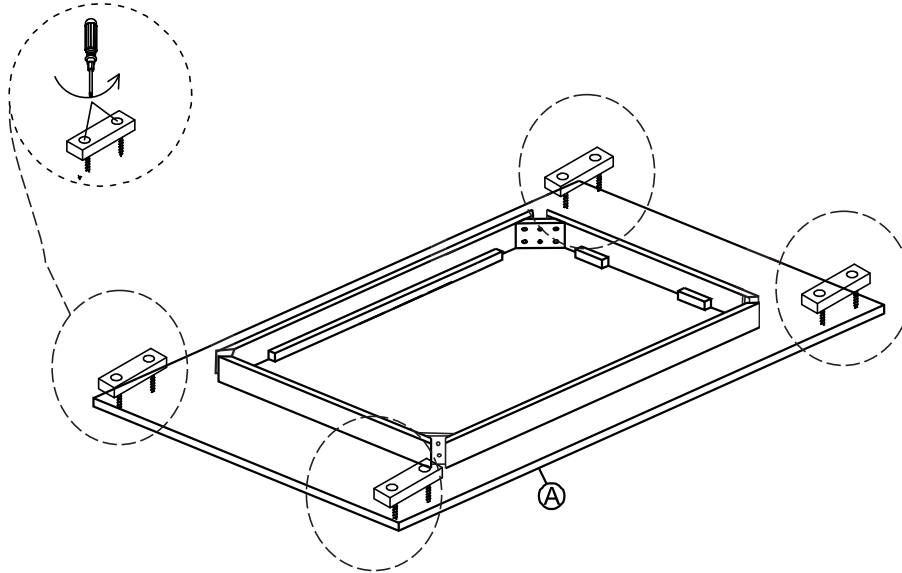
Hardware List: Liste des matériel

<div style="border: 1px solid black; padding: 2px; display: inline-block;">①</div> x8PCS  <p style="text-align: center;">Ø 5/16x75mm</p>	<div style="border: 1px solid black; padding: 2px; display: inline-block;">②</div> x8PCS  <p style="text-align: center;">Ø 5/16x13mm</p>	<div style="border: 1px solid black; padding: 2px; display: inline-block;">③</div> x8PCS  <p style="text-align: center;">Ø 5/16x19mm</p>	<div style="border: 1px solid black; padding: 2px; display: inline-block;">④</div> x 1PC  <p style="text-align: center;">4mm</p>
BOLT BouLon	Spring Washer Rondelle elastique	Flat Washer Rondelle plates	Allen key Clé Allen

STEP 1:

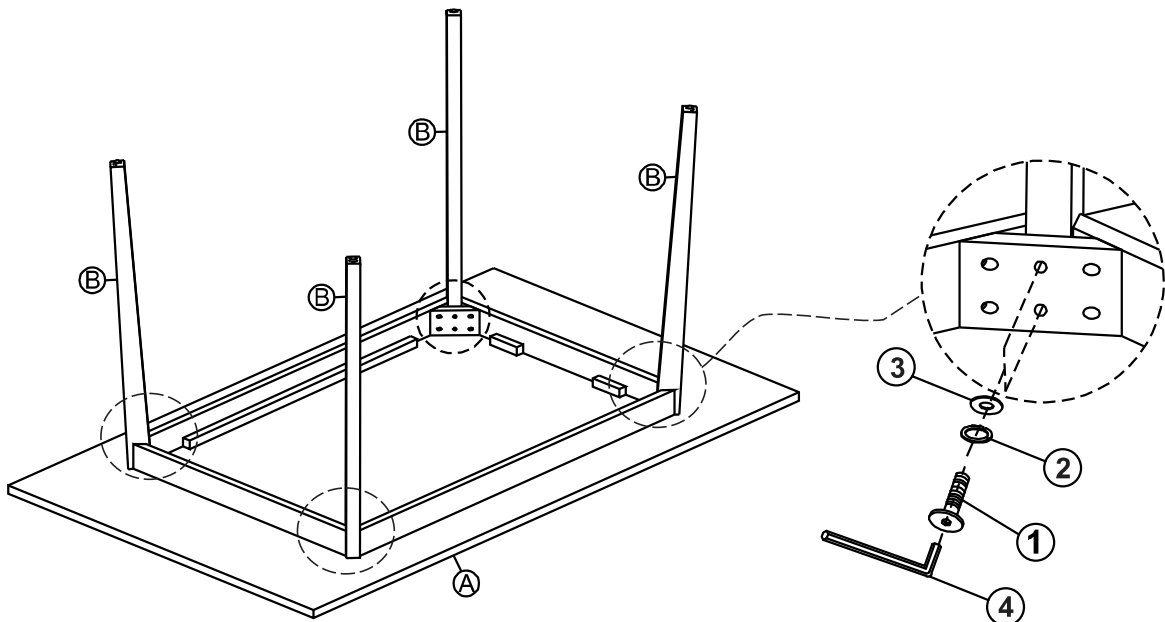
ÉTAPE





Remove block before assembly.
Retirer le bloc avant l'assemblage



STEP 2:

ÉTAPE



①	Ø 5/16x75mm		8PCS	③	Ø 5/16x19mm		8PCS
②	Ø 5/16x13mm		8PCS	④			1PCS

STEP 3:

ÉTAPE

Note: Turn the table over, level it, and tighten all hardware.

