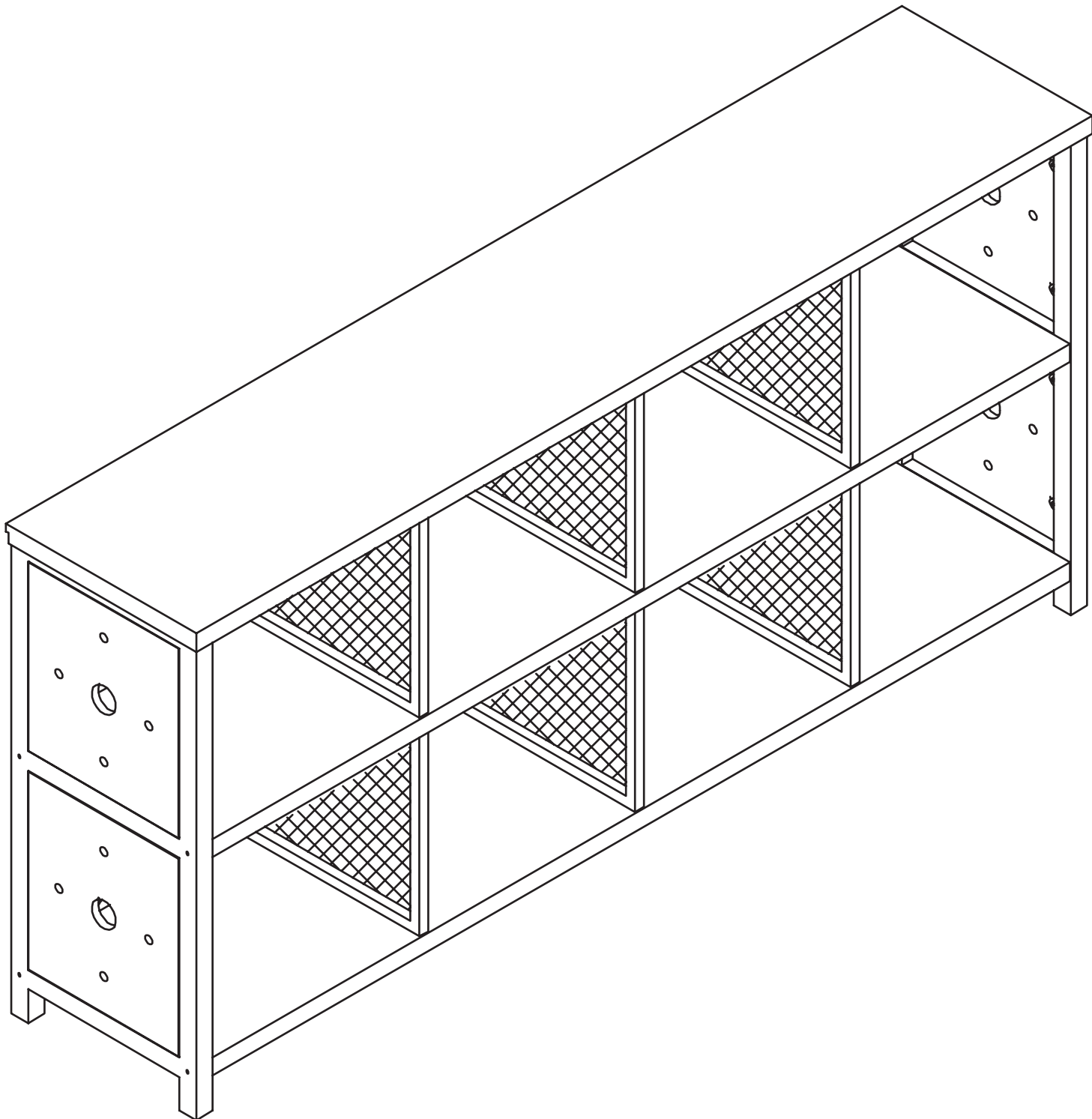


ASSEMBLY INSTRUCTION

Horizontal Bookshelf

Item NO.:BS026301 / BS026302 / BS026303
BS026304 / BS026305 / BS026306
BS026308



Version:240823

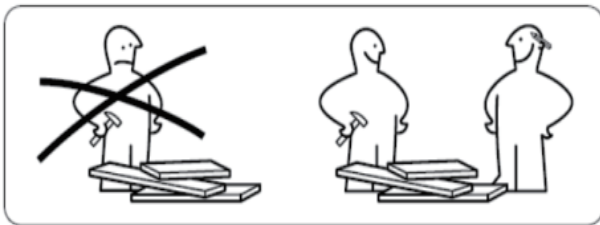


Thank you for purchasing our Horizontal Bookshelf. If any part is missing or damaged, please do not hesitate to contact us, we will send you the replacement immediately.

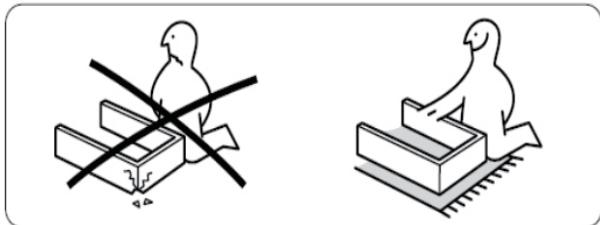
Email: jackye@hshfurniture.NET

ASSEMBLY TIPS

1. Please read the Assembly Instruction first and become familiar with the parts.
2. Proper assembly of this item requires 2 people.



3. Unpack and assemble this unit in an spacious area, assemble the unit on top of the empty carton or carpet to prevent scratches.



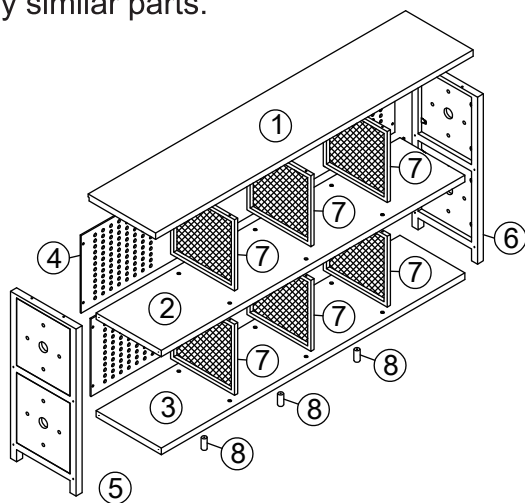
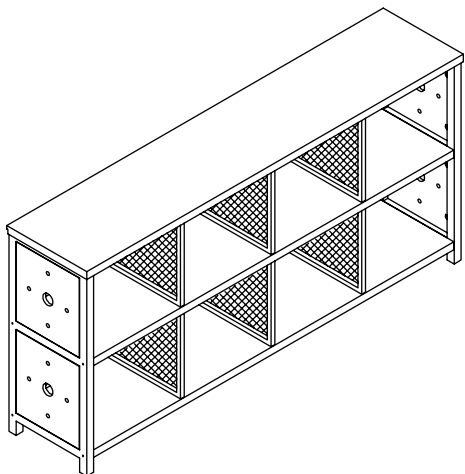
4. To avoid accidentally discarding small parts or hardware, DO NOT dispose of any contents until assembly is completed.
5. **Do not fully tighten all bolts until all parts are in place.** Failure to follow these instructions may cause the bolts to misalign during assembly.

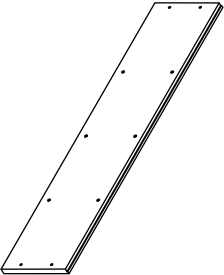
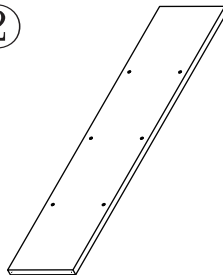
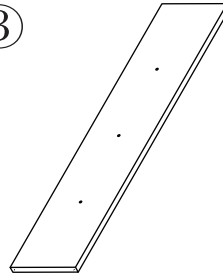
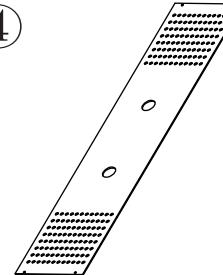
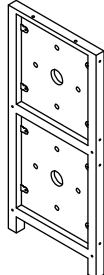
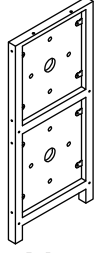
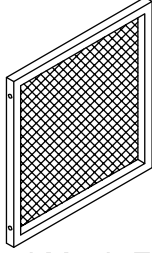
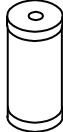
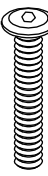


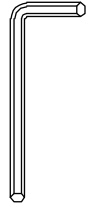



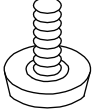



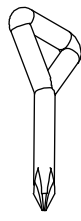

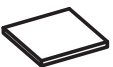
CARE INSTRUCTIONS

- (1) Hardware may loosen overtime. Periodically check that all connections are tight.
- (2) Wipe with a soft, dry cloth. To protect finish, avoid the use of chemicals and household cleaners.
- (3) All hot serving dishes should be placed on a pad.
- (4) Any liquid spilled onto the furniture should be cleaned up immediately with a dry cloth.

Part Identification

While not all parts are labeled, some of the parts will have a label to help distinguish similar parts from each other. Use this part identification to help identify similar parts.

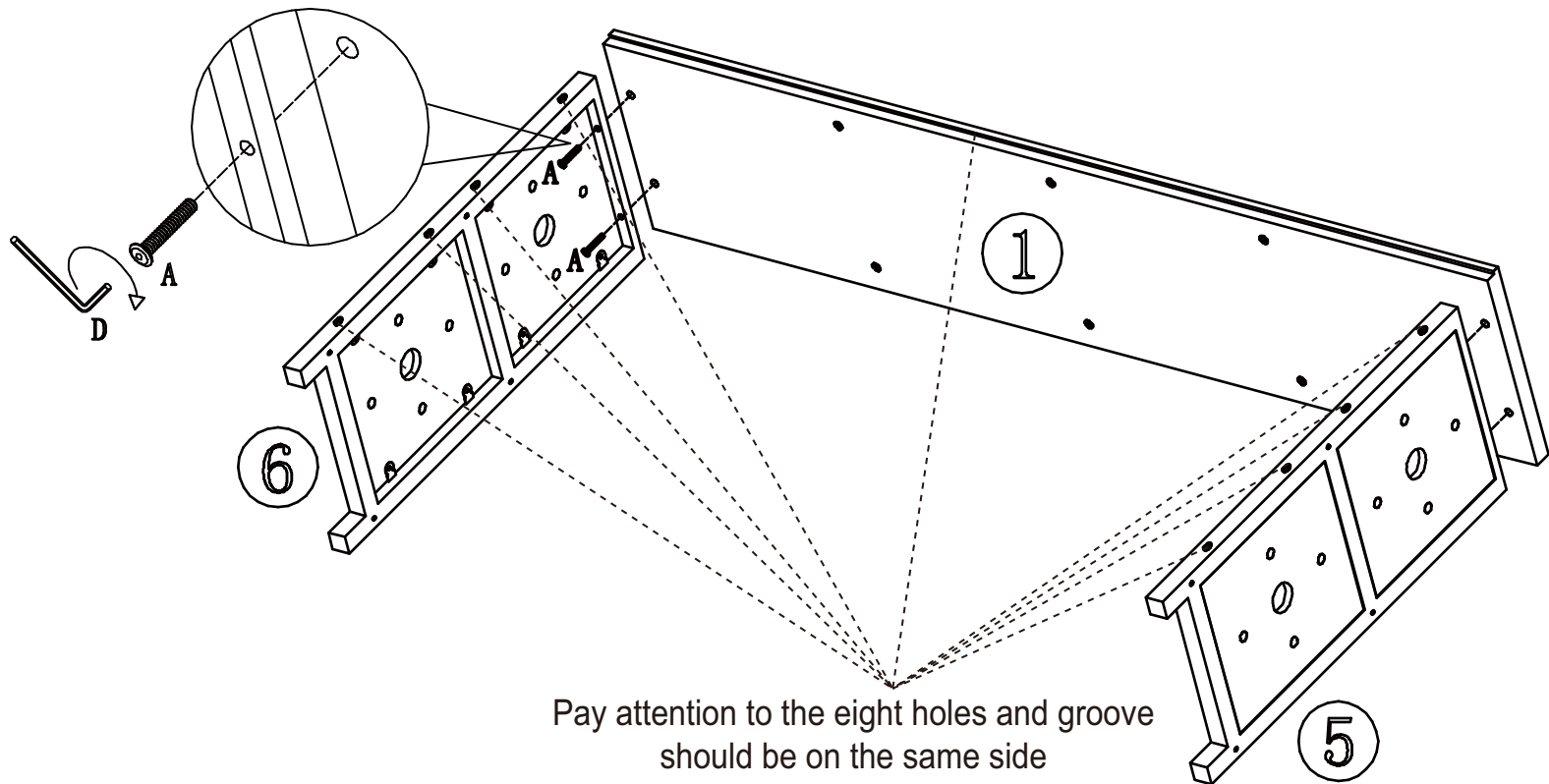


<p>①</p>  <p>Top Panel 1 PC</p>	<p>②</p>  <p>Mid Panel 1 PC</p>	<p>③</p>  <p>Bottom Panel 1 PC</p>	<p>④</p>  <p>Back Panel 2 PCS</p>	<p>⑤</p>  <p>Left Metal Leg 1 PC</p>		
<p>⑥</p>  <p>Right Metal Leg 1 PC</p>	<p>⑦</p>  <p>Vertical Mesh Frame 6 PCS</p>	<p>⑧</p>  <p>Adjusting Rod 3 PCS</p>	<p>A</p>  <p>Long Bolt M6*30mm 4 PCS</p>	<p>B</p>  <p>Long Screw M7*60mm 8 PCS</p>		
<p>C</p>  <p>Short Bolt M6*12mm 8 PCS</p>	<p>D</p>  <p>Allen Key 1 PC</p>	<p>E</p>  <p>Nail 8 PCS</p>	<p>F</p>  <p>Pin 24 PCS</p>	<p>G</p>  <p>Double End Stud 3 PCS</p>		
<p>H</p>  <p>Leveler 3 PCS</p>	<p>I</p>  <p>Strap 2 PCS</p>	<p>J</p>  <p>Medium Screw Φ4*35mm 2 PCS</p>	<p>K</p>  <p>Plastic Anchors Φ8*35mm 2 PCS</p>	<p>L</p>  <p>Screwdriver 70*30*5mm 1 PC</p>	<p>M</p>  <p>Sticker 14 PCS</p>	<p>N</p>  <p>EVA Pad 25*25*3mm 4 PCS</p>

Step 01

NOTE: DO NOT fully tighten all bolts at this step.
Product support email: jackye@hshfurniture.NET

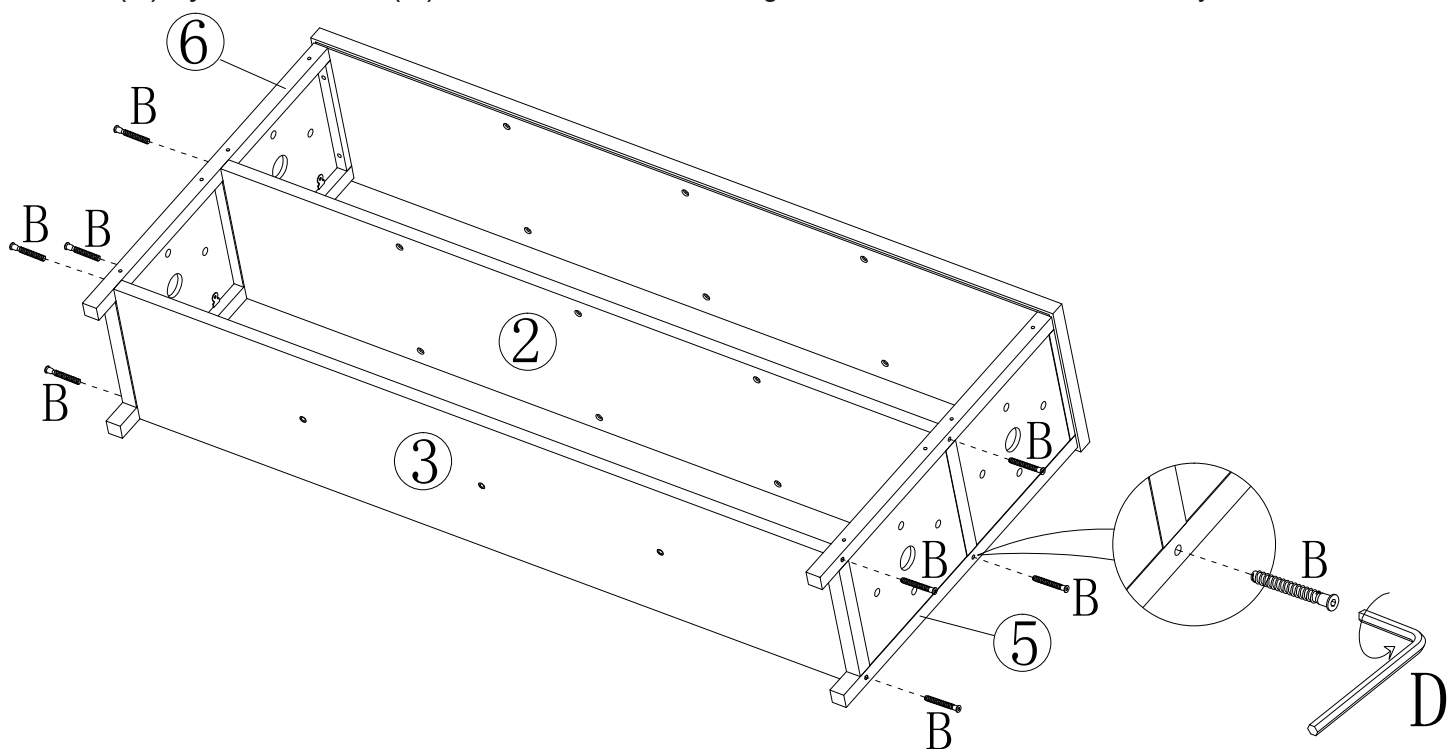
- 1 Lay the Top Panel(①) on a clean smooth surface such as carpet or cardboard. Fasten Left Metal Leg(⑤) and Right Metal Leg(⑥) to the Top Panel(①) by using four Long Bolts(A) with Allen Key(D). Make sure the eight holes in Left Metal Leg(⑤) and Right Metal Leg(⑥) are on the same side as the groove in the Top Panel(①). Do not fully tighten all bolts until all parts are in place. Don't shake the metal leg, or the screw hole will be destroyed.



Step 02

NOTE: DO NOT fully tighten all bolts at this step.
Product support email: jackye@hshfurniture.NET

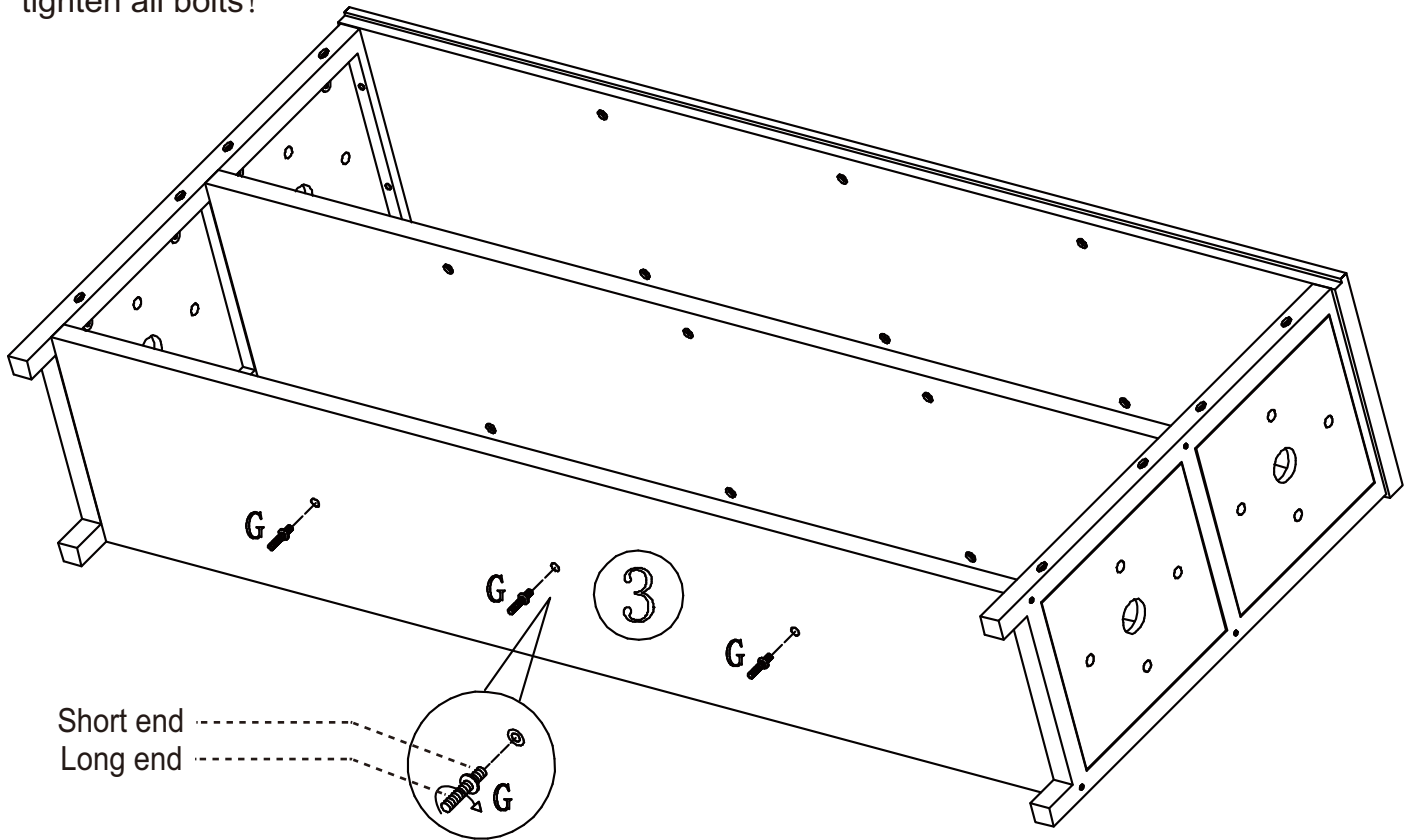
- 2 Connect and fasten Mid Panel(②) and Bottom Panel(③) to assembled part(①⑤⑥) with eight Long Screws(B) by Screwdriver(D). Don't shake the metal leg, or the screw hole will be destroyed.



Step 03

NOTE: If holes don't align, loosen all bolts and adjust the holes slightly. After all holes are aligned, tighten all bolts.

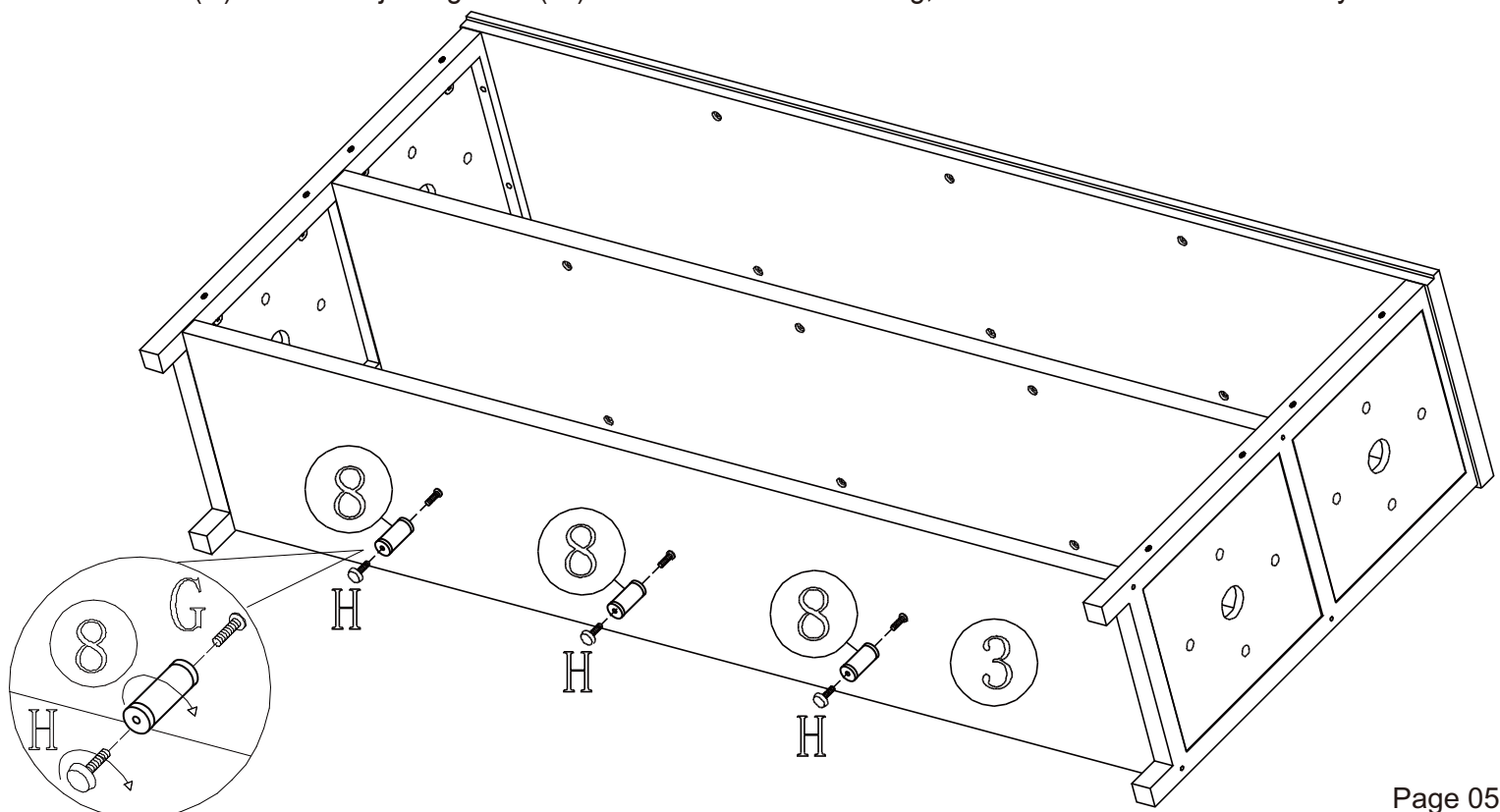
- 3** Screw and fasten three Double End Studs(G) to Bottom Panel(③). Don't shake the metal leg, or the screw hole will be destroyed.
NOTE: If holes don't align, loosen all bolts and adjust the holes slightly. After all holes are aligned, tighten all bolts!



Step 04

Product support email: jackye@hshfurniture.NET

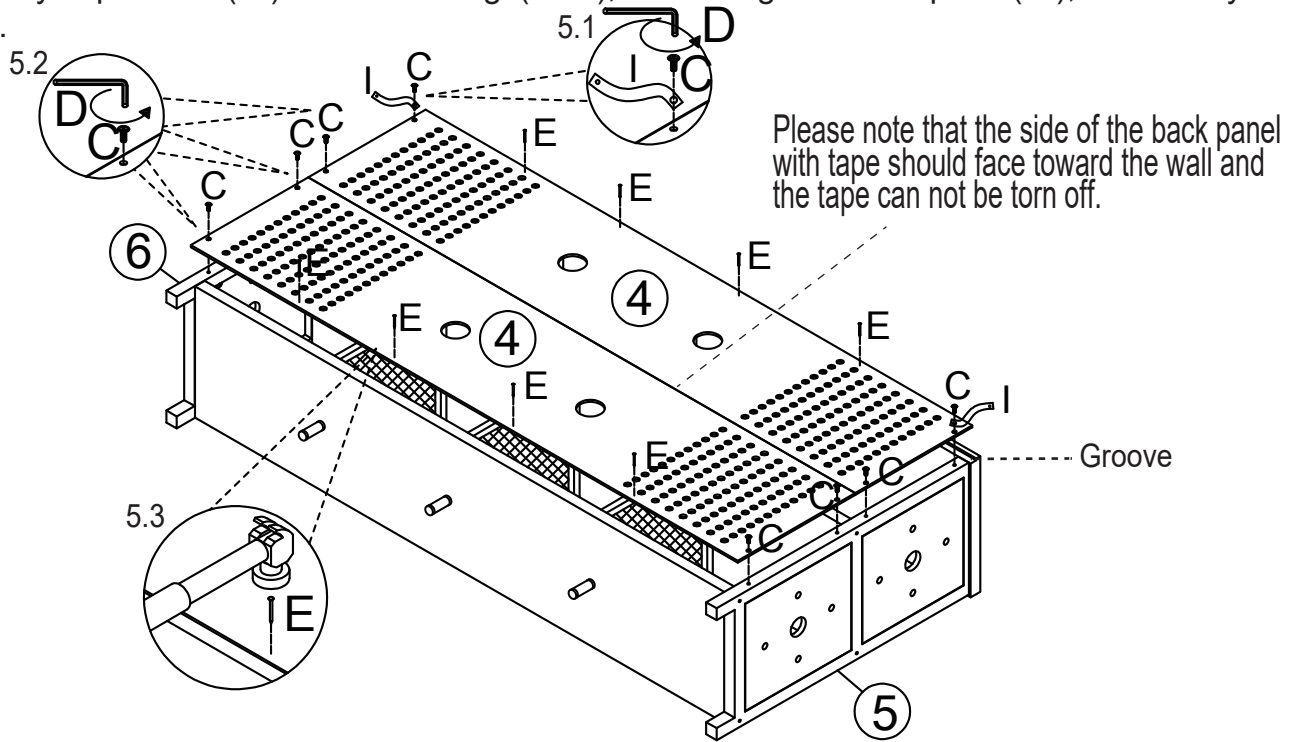
- 4** Screw and fasten three Adjusting Rods(⑧) to three Double End Studs(G). And then screw and fasten three Levelers(H) to three Adjusting Rods(⑧). Don't shake the metal leg, or the screw hole will be destroyed.



Step 05

NOTE: If holes don't align, loosen all bolts and adjust the holes slightly. After all holes are aligned, tighten all bolts.

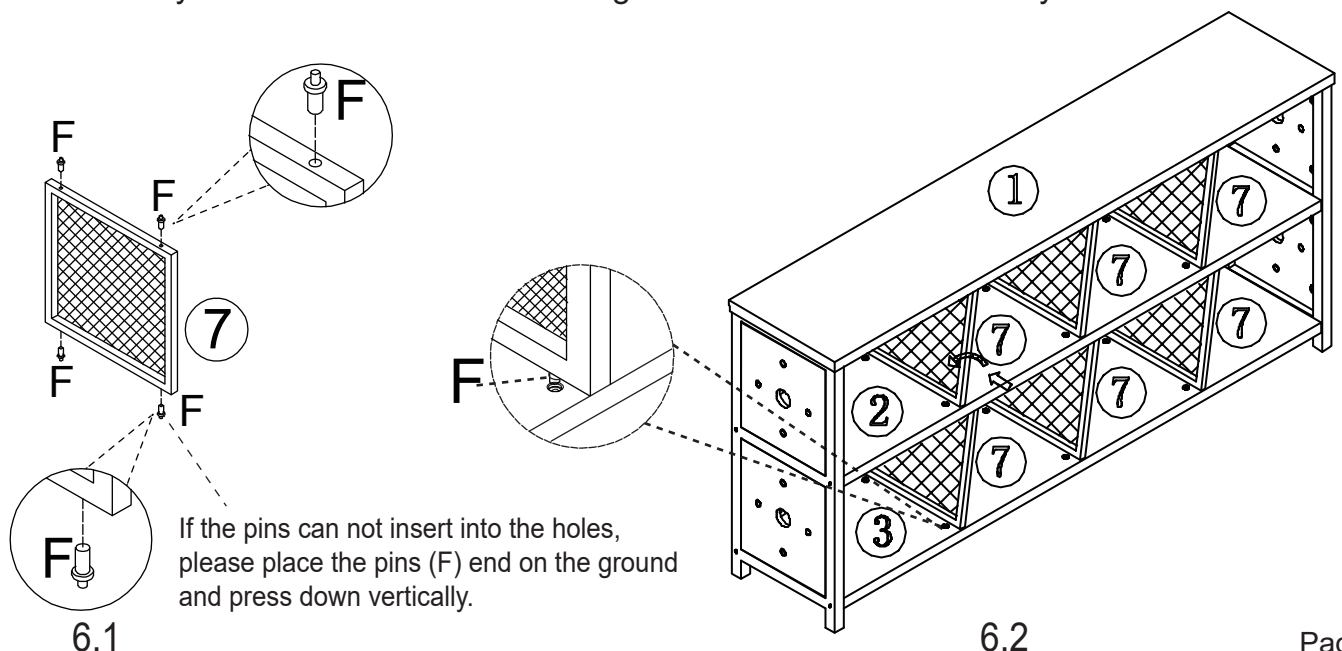
- 5.1 Align and fix two Straps(I) and Back Panel(4) to Left Metal Leg(5) and Right Metal Leg(6) with two Short Bolts(C) by Allen Key(D) as shown.
- 5.2 Align and fix two Back Panels(4) to Left Metal Leg(5) and Right Metal Leg(6) with six Short Bolts(C) by Allen Key(D).
- 5.3 Hammer eight Nails(E) into Back Panels(4) and Panels(1)(3). Please note that the two Back Panels(4) are overlapped in the package. The horizontal bookshelf installed in this step can only be righted by Top Panels(1) and Metal Legs(5)(6), not through the backplane(4), which may be damaged.



Step 06

Product support email: jackye@hshfurniture.NET

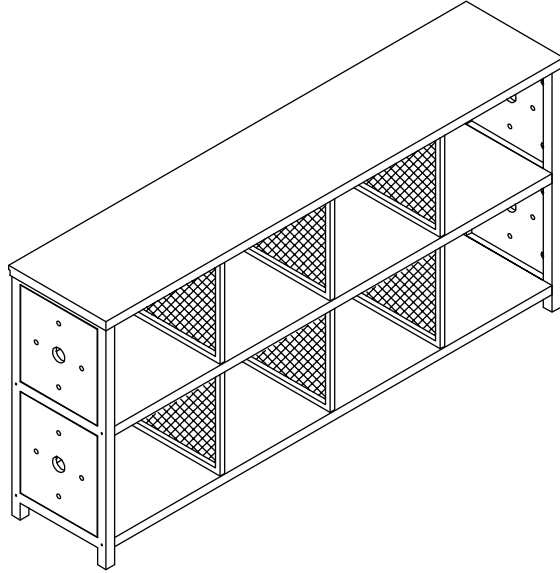
- 6.1 Insert four Pins(F) into the holes on Vertical Mesh Frame(7). Repeat it for the remaining five Vertical Mesh Frames(7).
- 6.2 Tilt Vertical Mesh Frame(7) into Mid Panel(2) and Top Panel(1). Move Vertical Mesh Frame(7) and Insert two bottom Pins(F) into the holes on Mid Panel(2). Then Put Vertical Mesh Frame(7) upright and Insert two top Pins(F) into the holes on Top Panel(1). Repeat it for bottom Panel.
- 6.3 There are many assemblies as shown as Page 08. You can choose what you like.



Step 07

If the foot is uneven, loosen all screws slightly, the horizontal bookshelf will automatically correct.

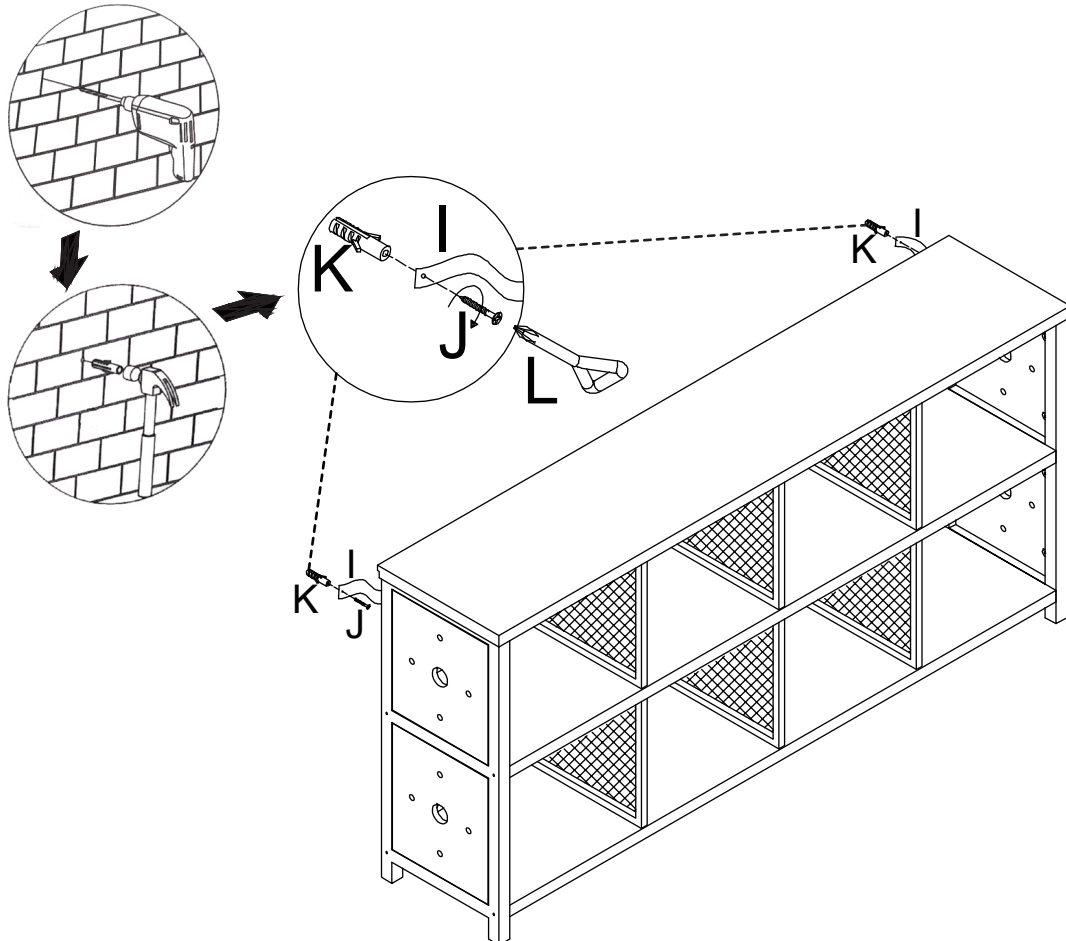
- 7.1 If the foot is uneven, loosen all screws slightly, especially the screws on the metal legs, top panel and back panel, the horizontal bookshelf will automatically correct, and then fully tighten all screws.
- 7.2 Adjust Levelers(H) as needed for uneven flooring.
- 7.3 If necessary, stick EVA pad (N) to the plastic plug under metal leg for rough floor.



Step 08

Product support email: jackye@hshfurniture.NET

- 8 To prevent injury and property damaged from unexpected tipping of furniture, we highly recommend installation of the anti-tip strap included with this product. Drill holes at marked spot with a drill bit. And then carefully hammer in two Plastic Anchors(K). Attached the Bookshelf two Straps(I) to the holes by using two Medium Screws(J) and Screwdriver(L). This completes assembly.



Different Assembly Suit All

⚠ Please note that in this step you can install as many Vertical Mesh Frames(⑦) as you needs. If you install fewer than six Vertical Mesh Frames(⑦), you can put stickers(M) on the exposed holes on the Panel(①②③).

