

Oceanside Lounge Chair Rocker

Item #22120

Assembly Instructions

****TO AVOID POTENTIAL SCRATCHING TO PARTS BY ROUGH GROUND SURFACE, COVER GROUND WITH SOFT SMOOTH PROTECTIVE MATERIAL ON WHICH TO PLACE PARTS DURING ASSEMBLY. ****

Step 1: Remove protective wrapping and lay all parts on floor. Identify all parts packed in carton against the parts list.

Step 2: To assemble seat bucket, attach Right Arm / Left Arm (B, C) to Chair Seat (A) as shown in Diagram 1, using Bolt (F) and Small Washer (G). Then attach Chair Back (D) to Right/Left Arm (B,C) as shown in Diagram 2, using Bolt (F) and Small Washer (G). Use Small Hex Wrench(M) to tighten the bolts securely. Loosely thread all bolts on first. Then after all parts are assembled in place, go back to securely tighten all bolts.

Step 3: The threaded ends of the Base's (E) two coiled springs need to be inserted through the double loop openings on the bottom sides of the assembled seat bucket. To make this easier to do, lay seat bucket upside down on surface first. Take Base (E) and maneuver it to insert the threaded ends of the coiled springs through the loops. Then secure it in place with Nut (J), Spring Washer (I), and Large Washer (H). Loosely thread all bolts on first. Then after all parts are assembled in place, go back to securely tighten all bolts, using Large Hex Wrench(N).

Step 4: Make sure all bolts are aligned properly and tightened sufficiently. Then place Bolt Covers (L) and Nut Covers (K) over nuts and bolts. Place seat and back cushions onto frame accordingly as shown in Diagram 5 and secure to chair with the cushions' velcro straps.

NOTE: IT IS USER'S RESPONSIBILITY TO MAKE SURE ALL PARTS ARE ASSEMBLED AND TIGHTENED PROPERLY AND SECURELY.

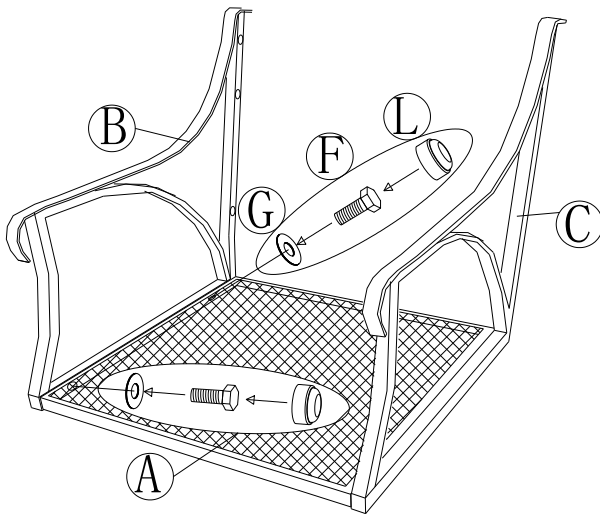


Diagram 1

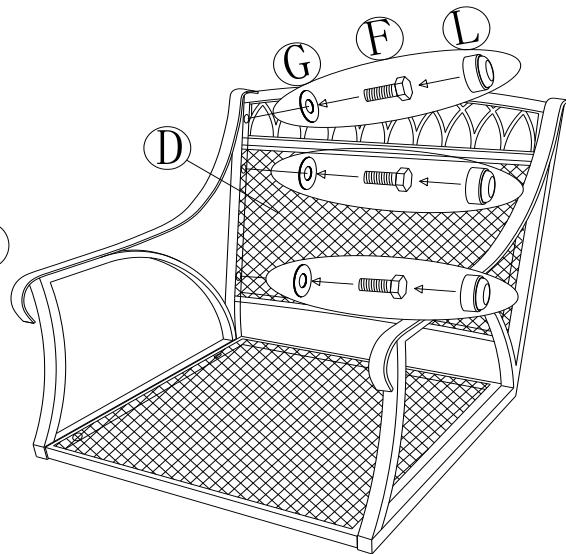


Diagram 2

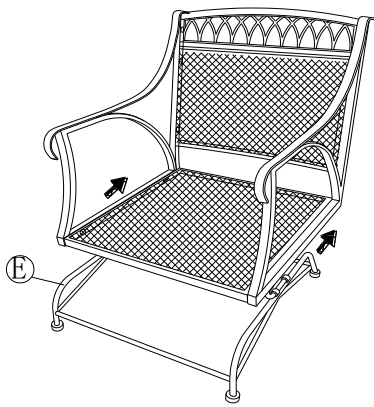


Diagram 3

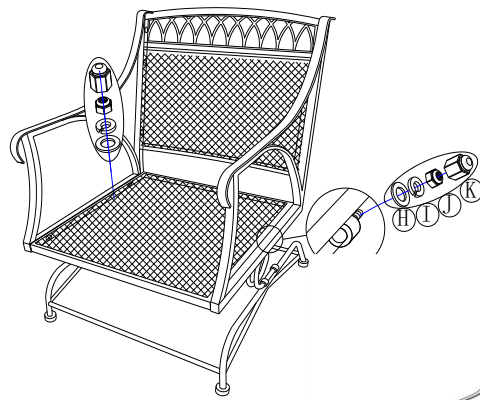


Diagram 4

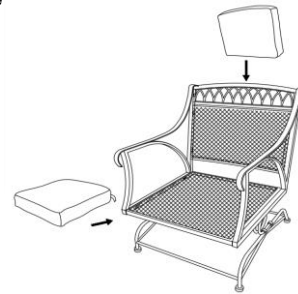


Diagram 5

PARTS LIST
(TOTAL QTY IS FOR 2 CHAIRS)

Ref	Part Name	Part Image	Qty	Ref	Part Name	Part Image	Qty
A	Chair Seat		2	B	Right Arm		2
C	Left Arm		2	D	Chair Back		2
E	Chair Base		2	F	Bolt		20
G	Small Washer		20	K	Large Nut Cover		4
H	Large Washer		4	L	Small Bolt Cover		20
I	Spring Washer		4	M	Small Hex Wrench		1
J	Nut		4	N	Large Hex Wrench		1
	Seat Cushion		2		Back Cushion		2

WOODARD
Customer Service Hours
8:00am-5:00pm CST Monday to Friday
Phone: (800) 877-2290 Fax: (800) 733-4257
E-mail: retail3@woodard-furniture.com