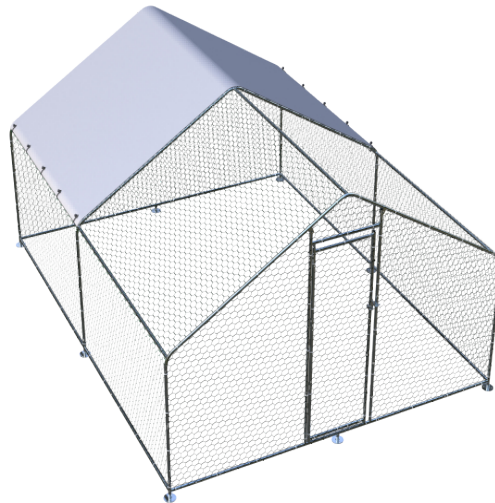


CHICKEN COOP

Assembly Instructions

SIZE,3.9X3X2M

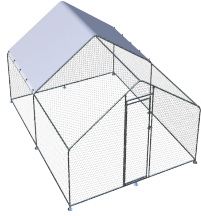
Please read this entire guide before assembly.



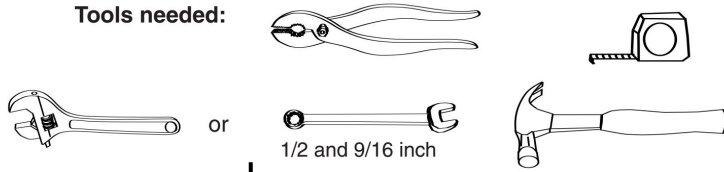
Chicken Coop

Step by Step Assembly Instruction

Finished Size: 3.9*3*2m



Tools needed:



1/2 and 9/16 inch

Step 1 Check parts before assembly.

<div style="margin-bottom: 10px;"> <p style="text-align: center;">1860mm</p> <p style="text-align: right;">A Tube 10 pcs</p> </div> <div style="margin-bottom: 10px;"> <p style="text-align: center;">1415mm</p> <p style="text-align: right;">B Tube 8 pcs</p> </div> <div style="margin-bottom: 10px;"> <p style="text-align: right;">B1 Tube 1 pcs</p> </div> <div style="margin-bottom: 10px;"> <p style="text-align: right;">B2 Tube 1 pcs</p> </div> <div style="margin-bottom: 10px;"> <p style="text-align: center;">910mm</p> <p style="text-align: right;">C Tube 6 pcs</p> </div> <div style="margin-bottom: 10px;"> <p style="text-align: center;">(1740mm)</p> <p style="text-align: right;">F1 Tube 1 pcs</p> </div> <div style="margin-bottom: 10px;"> <p style="text-align: center;">1740mm</p> <p style="text-align: right;">F2 Tube 1 pcs</p> </div> <div style="margin-bottom: 10px;"> <p style="text-align: center;">550mm</p> <p style="text-align: right;">G Tube 1 pcs</p> </div> <div style="margin-bottom: 10px;"> <p style="text-align: center;">1600mm</p> <p style="text-align: right;">H1 Tube 1 pcs</p> </div> <div style="margin-bottom: 10px;"> <p style="text-align: center;">1580mm</p> <p style="text-align: right;">H2 Tube 1 pcs</p> </div> <div style="margin-bottom: 10px;"> <p style="text-align: center;">500mm</p> <p style="text-align: right;">I Tube 2 pcs</p> </div> <div style="margin-bottom: 10px;"> <p style="text-align: right;">Hexagon wire mesh 1 rolls</p> </div>	<div style="margin-bottom: 10px;"> <p style="text-align: right;">K connection 2 pcs</p> </div> <div style="margin-bottom: 10px;"> <p style="text-align: right;">L connection 2 pcs</p> </div> <div style="margin-bottom: 10px;"> <p style="text-align: right;">M connection 4 pcs</p> </div> <div style="margin-bottom: 10px;"> <p style="text-align: right;">N connection 6 pcs</p> </div> <div style="margin-bottom: 10px;"> <p style="text-align: right;">P connection 3 pcs</p> </div> <div style="margin-bottom: 10px;"> <p style="text-align: right;">1 - gate latch</p> </div> <div style="border: 1px solid black; padding: 5px; margin-bottom: 10px;"> <p style="text-align: right;">2 - clip</p> </div> <div style="border: 1px solid black; padding: 5px; margin-bottom: 10px;"> <p style="text-align: right;">Carriage Bolts with nuts 2 pcs</p> </div> <div style="margin-bottom: 10px;"> <p style="text-align: right;">A bundle of cable ties</p> </div> <div style="margin-bottom: 10px;"> <p style="text-align: right;">A tarp</p> </div> <div style="margin-bottom: 10px;"> <p style="text-align: right;">Bungee Ball 10 pcs</p> </div>
--	--

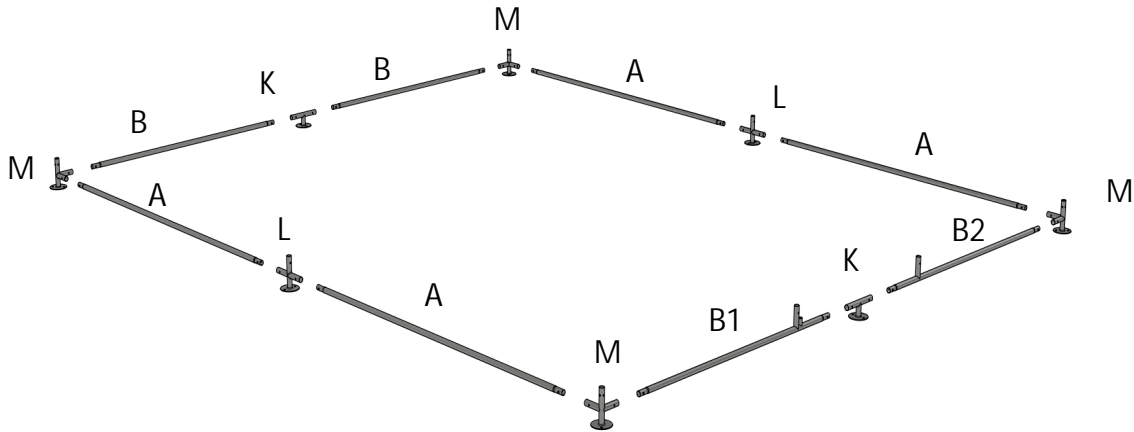
Carriage Bolts with nuts 2 pcs

Clamps 2 pcs

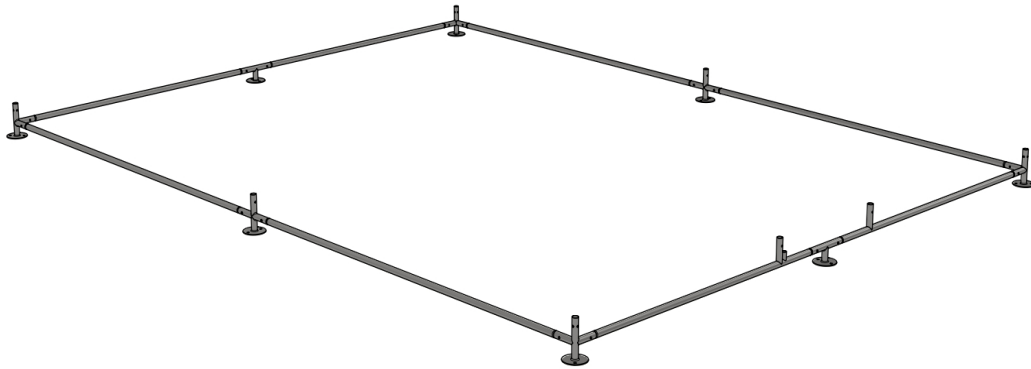
The transportation of the package may cause damage to the package. We are deeply regretful. If any part of the product is missing, please let us know, we will replace it without charge.

Please note: For quick and safe assembly, 1 or 2 helper would be recommended, since the coop is heavy. You can also refer to the instation video on our website.

Step 2 Assemble coop on a level surface and connect the bottom frame. Gather 4 A-tubes, 2 B-tubes, 1 B1-Tube, 1 B2-Tube, 2 K-connections, 2 L-connections and 4 M-connections.

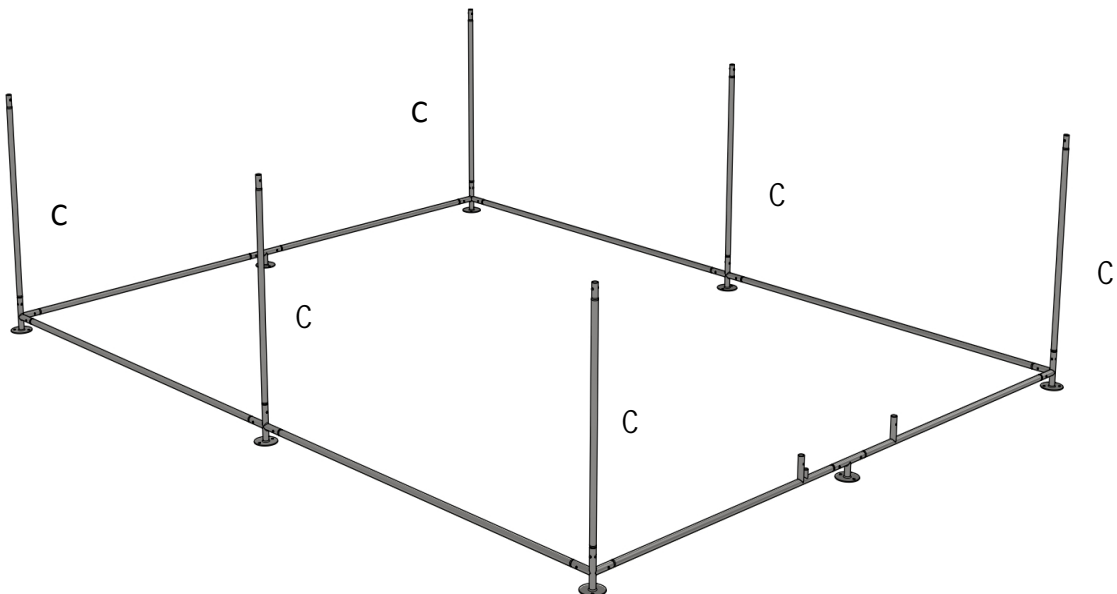


Slip ends of tubing into the connections.



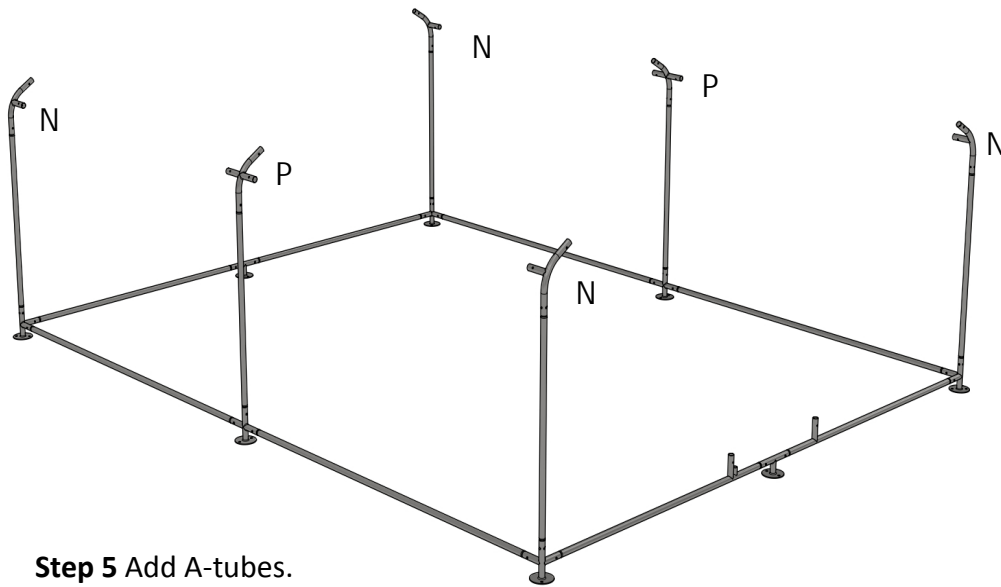
Step 3 Add uprights.

Gather: 6 C-tubes, and put them into the connections.



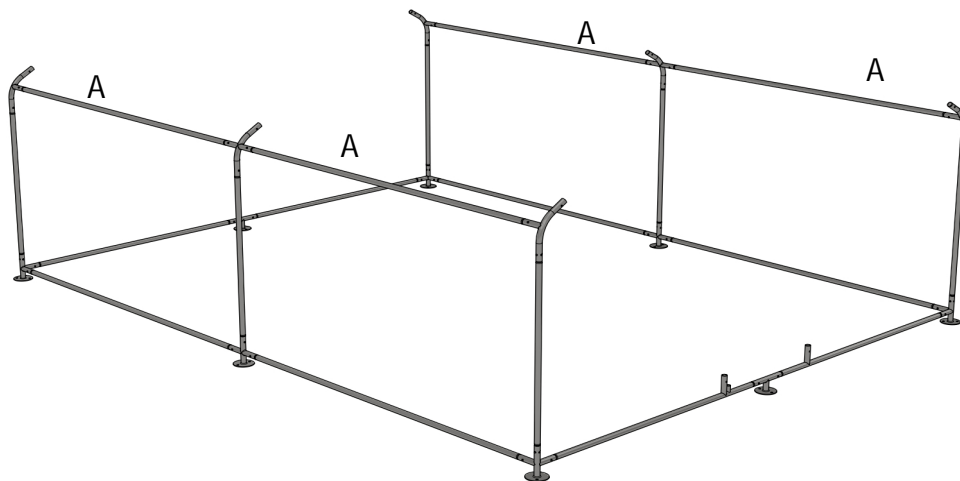
Step 4 Add connections.

Gather: 4 N-connections and 2 P-connections. And put them into the C-tubes.



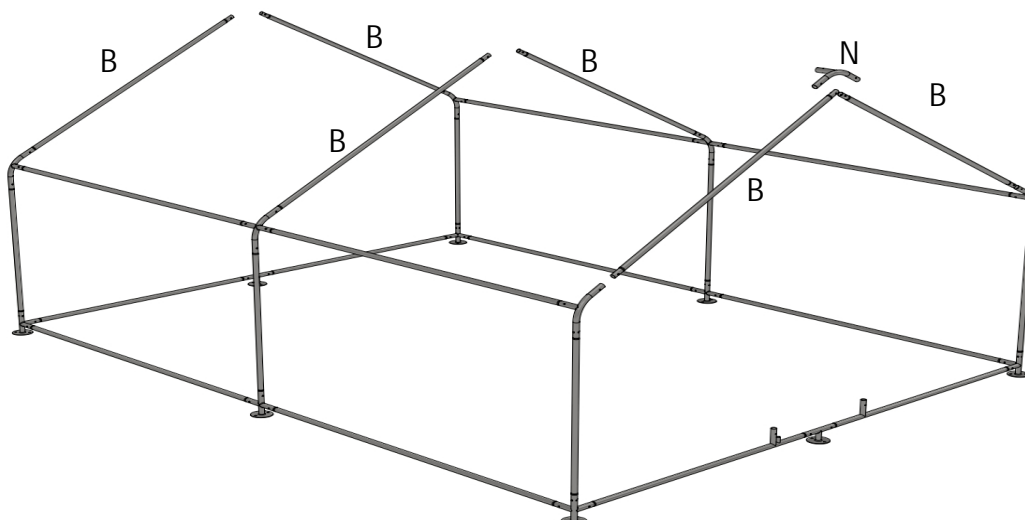
Step 5 Add A-tubes.

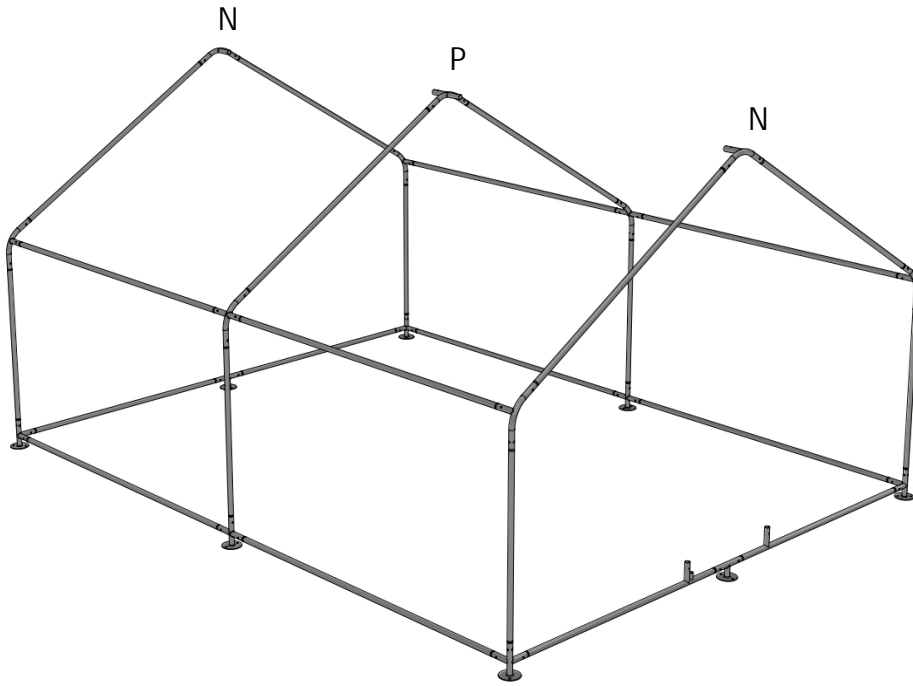
Gather: 4 A-tubes. And put them into the connections.



Step 6 Add roof frame.

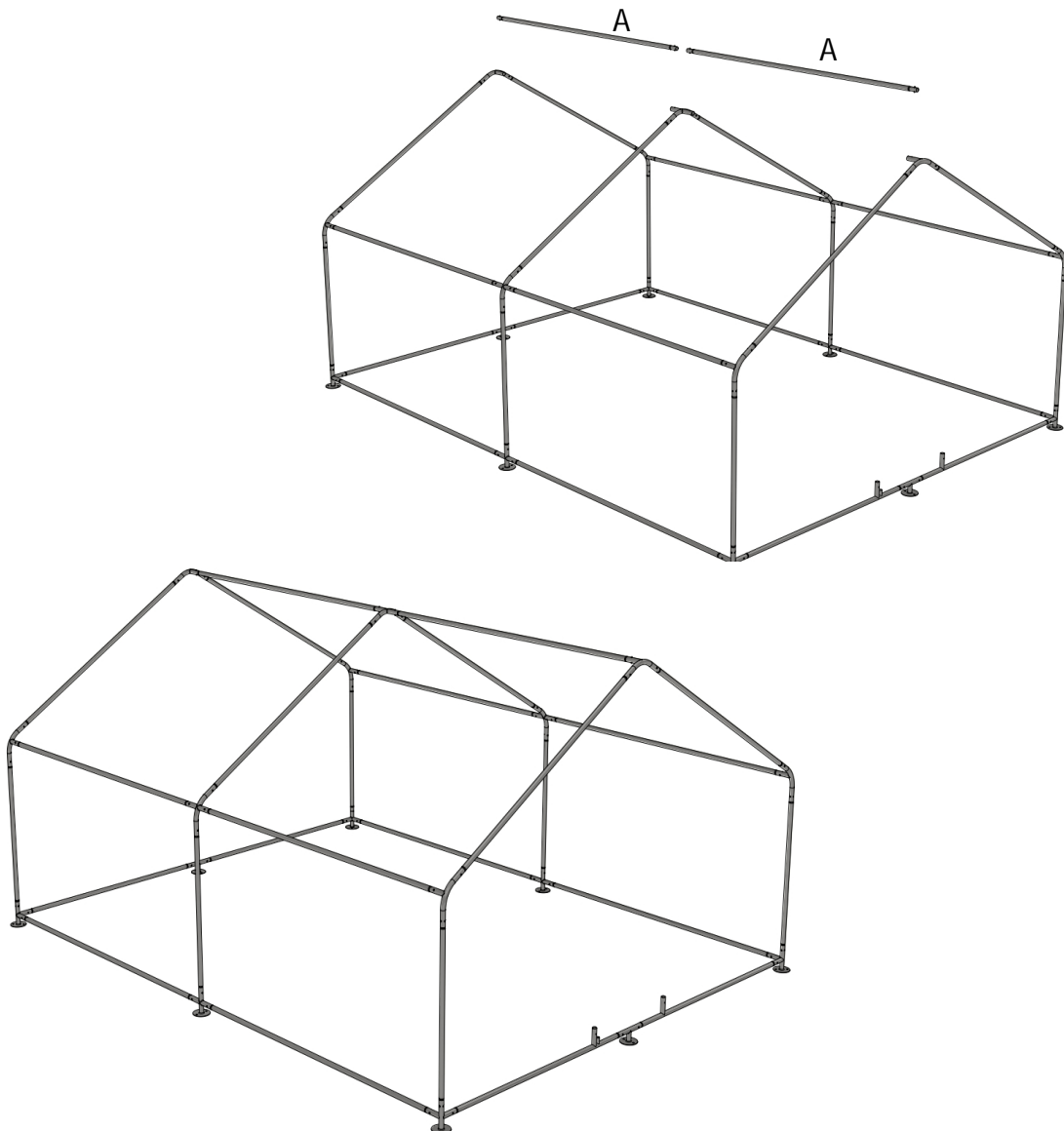
Gather: 6 B -tubes, 2 N-connections and 1 P-connections. And put the ends of the tube into the connections.





Step 7 Add top tubes.

Gather: 2 A-tubes. And put them into the connections.



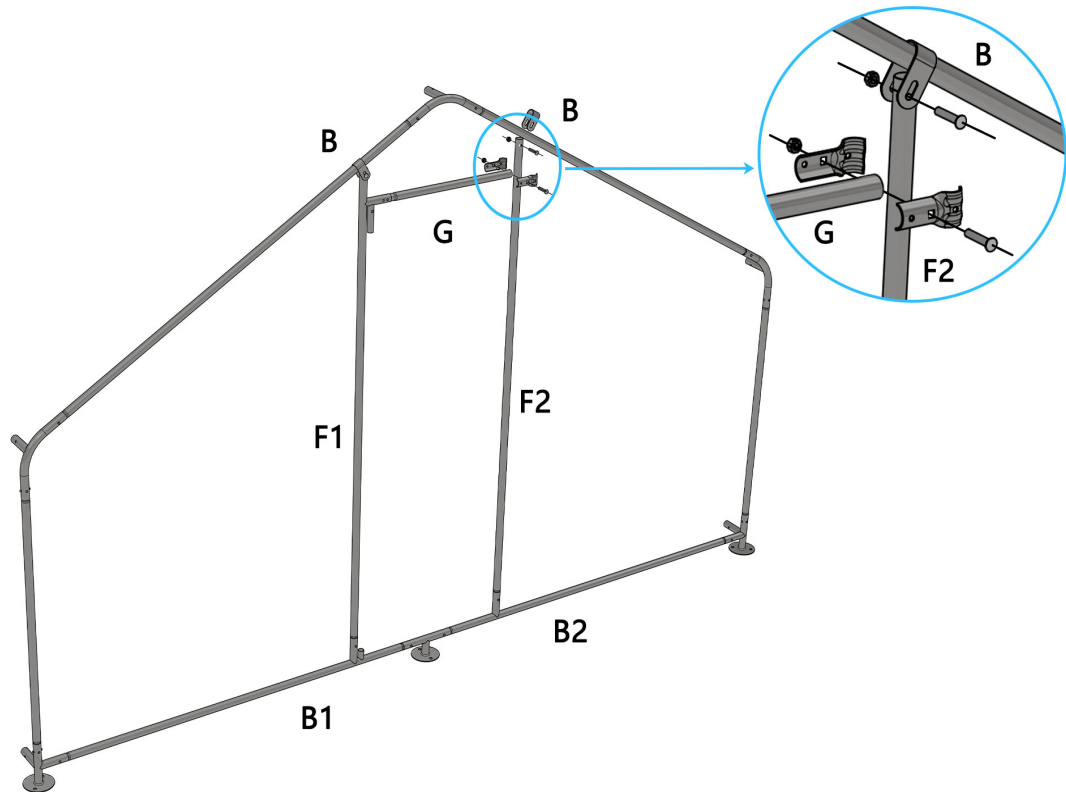
Step 8 Add gate post and G tube.

Gather: 1 F1-tubes, 1 F2-tubes, 1G-tubes. 2 clamps, 1 carriage bolts with nuts, 2 clips with 2 carriage bolts and nuts.

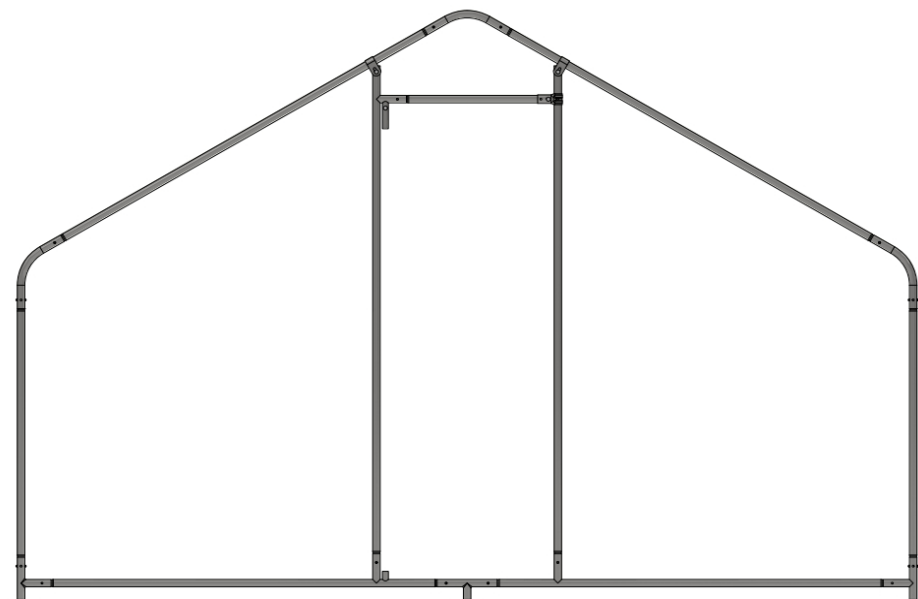
And put the narrow side of F2-tubes into B2-tubes, put the narrow side of F1-tubes into B1-tubes. Connect F1-tubes and B tube with 1 clip and 1 bolts and nuts.

Connect F2-tubes and B tube with 1 clip and 1 bolts and nuts.

During the installation of G tube and F2 tube, please ensure to leave some space to allow for smooth installation of bolt and nut (screw do not pass through G tube, and there are no pre-drilled holes in G tube).



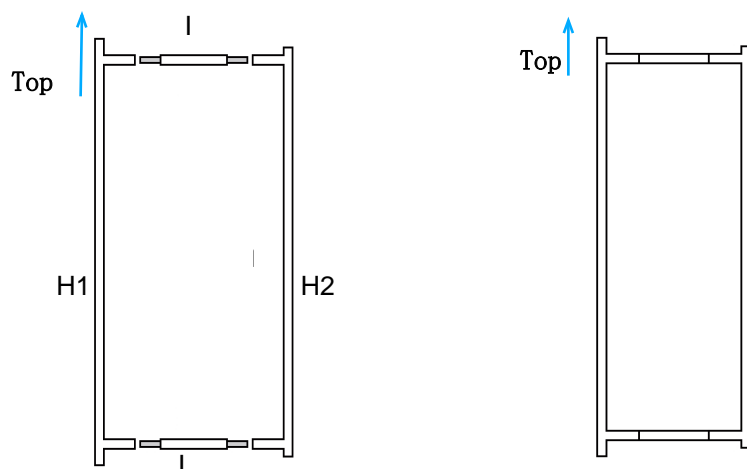
And put the narrow side of G-tubes into F1-tubes. Connect the G-tube and F2-tube with 2 clamps and 1 bolts and nuts.



Step 9 Assemble the gate frame.

Gather: 1 H1-tube, 1 H2-tube, 2 I-tube. And put the narrow side of I-tubes into H1-tubes and H2 tube. And put them into the connections.

Please notice: the Left Frame Tube H1 is with a longer end.



Step 10 Install the gate.

Gather 1 bolts with nuts, the gate and the gate latch.

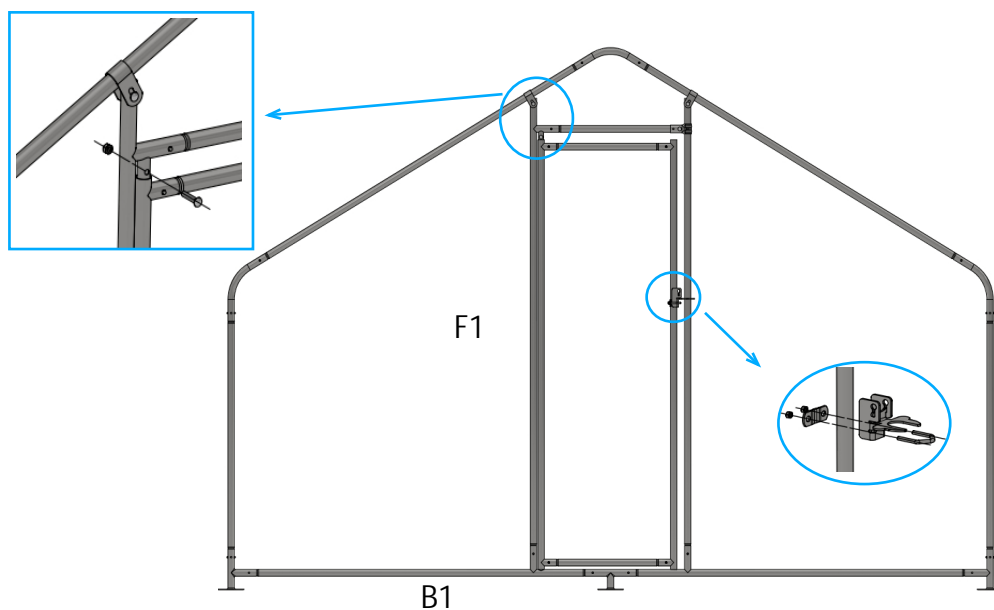
Firstly, orient the top of the Left Frame Tube "H1" toward the upper hinge tube on the Corner Post for Gate "F1" and then make the hinge tube inserted.

There is the gap between the bottom of the Gate Tube "H1" and the lower hinge tube on Post "F1" if the upper hinger tube is fully in.

Make the lower hinge tube of "H1" inserted in the bottom end of the Tube "B1".

Put the bolt into the hole in the upper hinge tube F1, and fix the bolts with nuts. The gate frame is finished.

With an adjustable wrench, install the gate latch.



Step 11 Add wire mesh

Gather hexagonal wire mesh and cable ties.

1. Tie the wire mesh and the tube at the start of part 1 with cable ties. (The space between 2 cable ties is advised to be 20cm, same with next steps.)

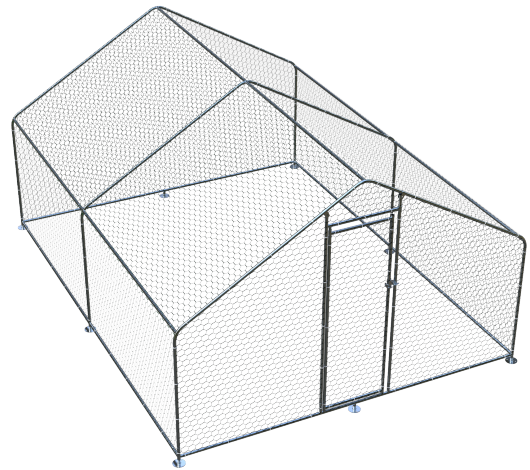
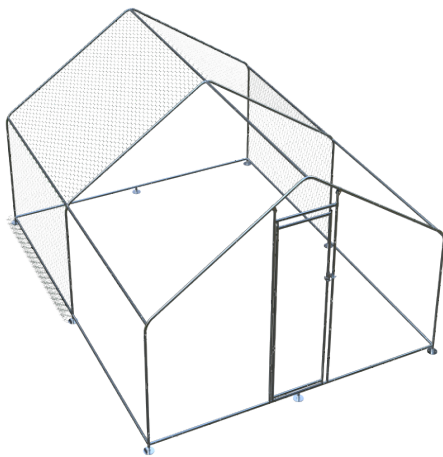
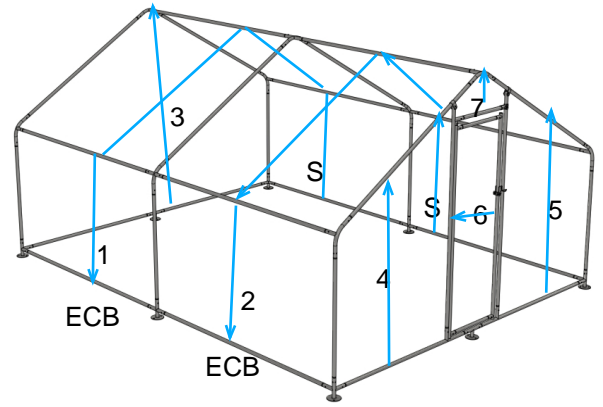
And drape long side of wire mesh over the frame.

Tie the wire mesh and the tube of other end of part 1.

Cut the extra mesh.

2. Repeat above step to cover part 2 to 7. (S: Start, ECB: End & Cut then Bind.)

3. Tie the tubes and wire mesh together for all the coop frame. Important Tips: Please fix the mesh to the frame in order from 1-7. Otherwise the some mesh will be wasted and you would be short of Mesh.



Step 12 Add Tarp and Secure with Ball Bungees

Gather tarp and 10 ball bungees. Drape four sides of tarp over frame. Attach all bungees to the tarp and coop frame.

Important: Tarp is not designed to withstand the weight of snow.

