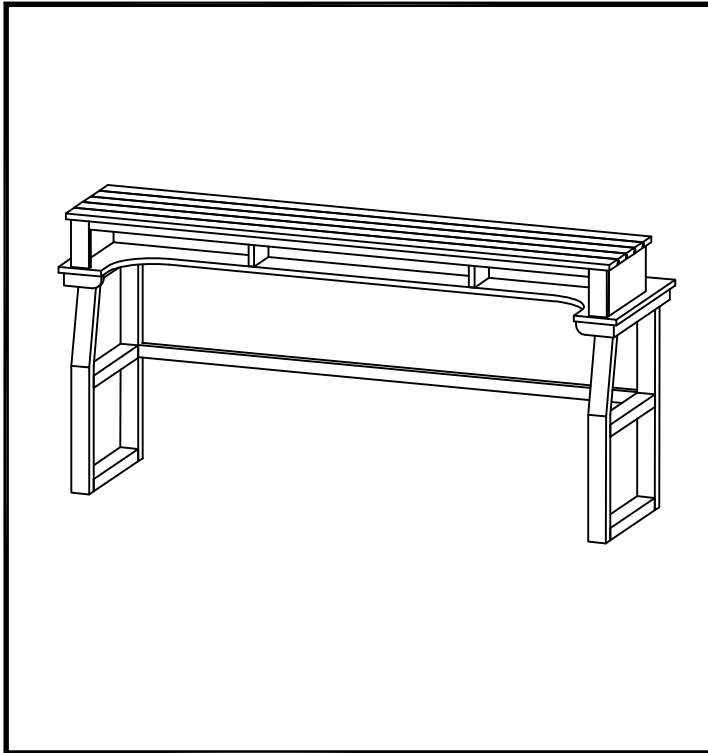


# ASSEMBLY INSTRUCTION

## DESCRIPTION Console Table

Thank you for purchasing this quality product. Be sure to check all packing material carefully for small parts which may have come loose inside the carton during shipment. Identify and count all parts and compare with the parts list below:



### PARTS LIST

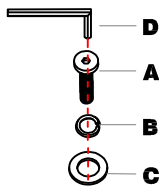
NO.	SKETCH	DESCRIPTION	QTY
①		Table Top	1 pc
②		Rail	1 pc
③		Left Leg Frame	1 pc
④		Right Leg Frame	1 pc

⑤

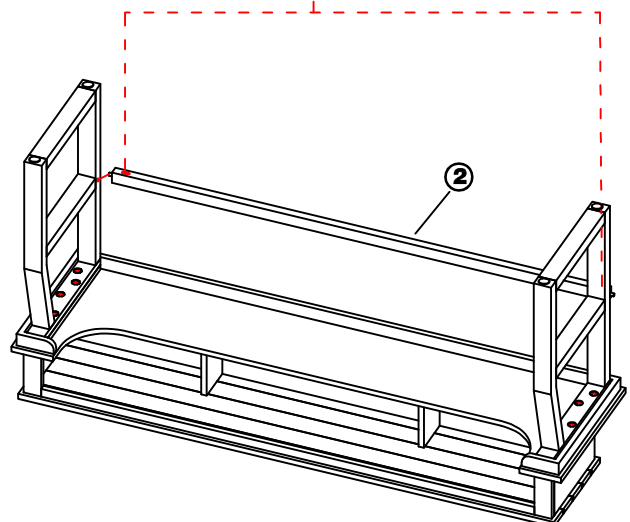
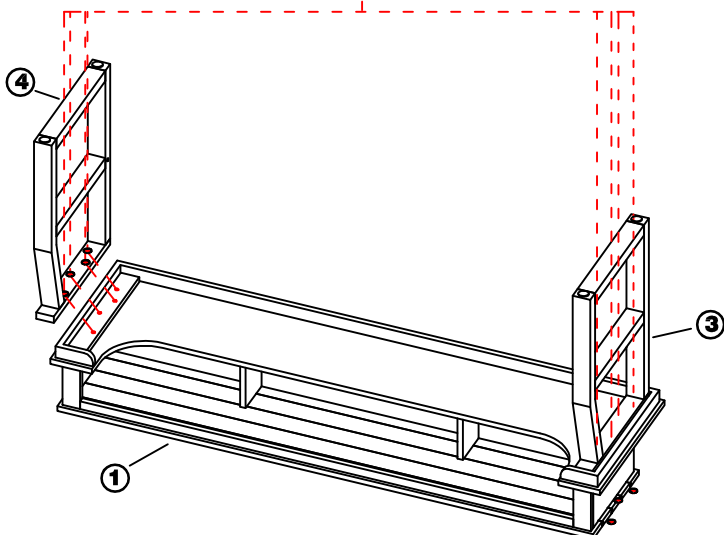
### ASSEMBLY HARDWARE PACK

NO.	SKETCH	DESCRIPTION	QTY
A		Bolt Ø5/16" x1-1/2"	8 pcs
B		Spring Washer	8 pcs
C		Flat Washer	8 pcs
D		Allen Wrench 5mm	1 pc
E		Screw #8x2"	2 pcs

### STEP 1



### STEP 2

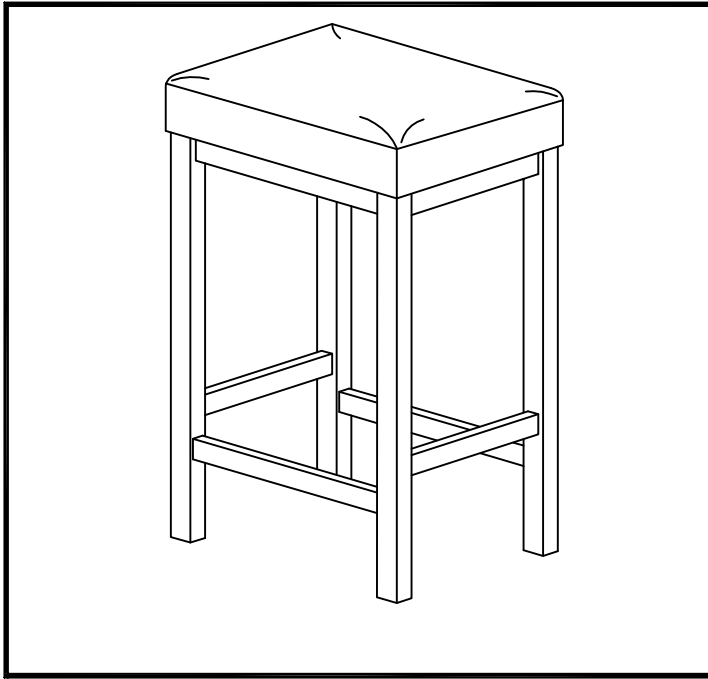


**NOTE: DO NOT TIGHTEN ALL THE BOLTS UNTIL THEY ARE INSTALLED IN CORRESPONDING HOLES!**

# ASSEMBLY INSTRUCTION

## DESCRIPTION Uph Console Stool

Thank you for purchasing this quality product. Be sure to check all packing material carefully for small parts which may have come loose inside the carton during shipment. Identify and count all parts and compare with the parts list below:

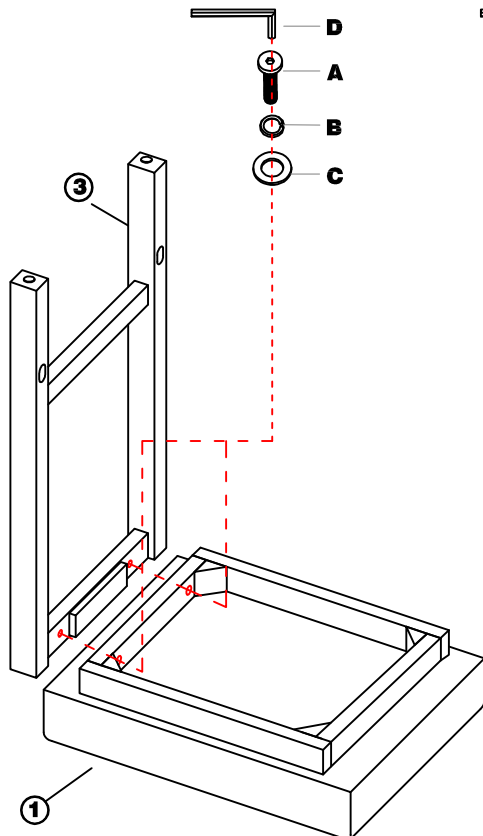


### PARTS LIST

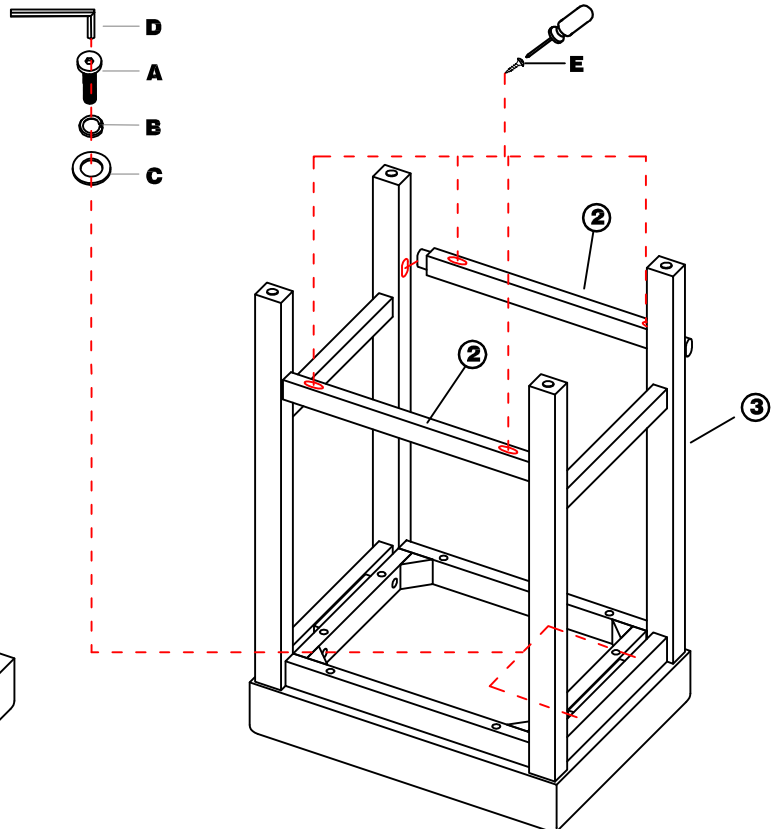
NO.	SKETCH	DESCRIPTION	Q'TY
①		Seat Cushion	1 pc
②		Rail	2 pcs
③		Leg Frame	2 pcs

④			
ASSEMBLY HARDWARE PACK			
NO.	SKETCH	DESCRIPTION	Q'TY
A		Bolt Ø1/4" x1-3/4"	4 pcs
B		Spring Washer	4 pcs
C		Flat Washer	4 pcs
D		Allen Wrench 4mm	1 pc
E		Screw #8x2"	4 pcs

### STEP 1



### STEP 2



**NOTE: DO NOT TIGHTEN ALL THE BOLTS UNTIL THEY ARE INSTALLED IN CORRESPONDING HOLES!**