






# ASSEMBLY INSTRUCTION

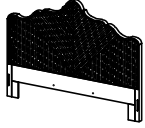
ITEM NO.: VIC-545 KING SIZE HEADBOARD

**Read instruction carefully prior to assembly.**

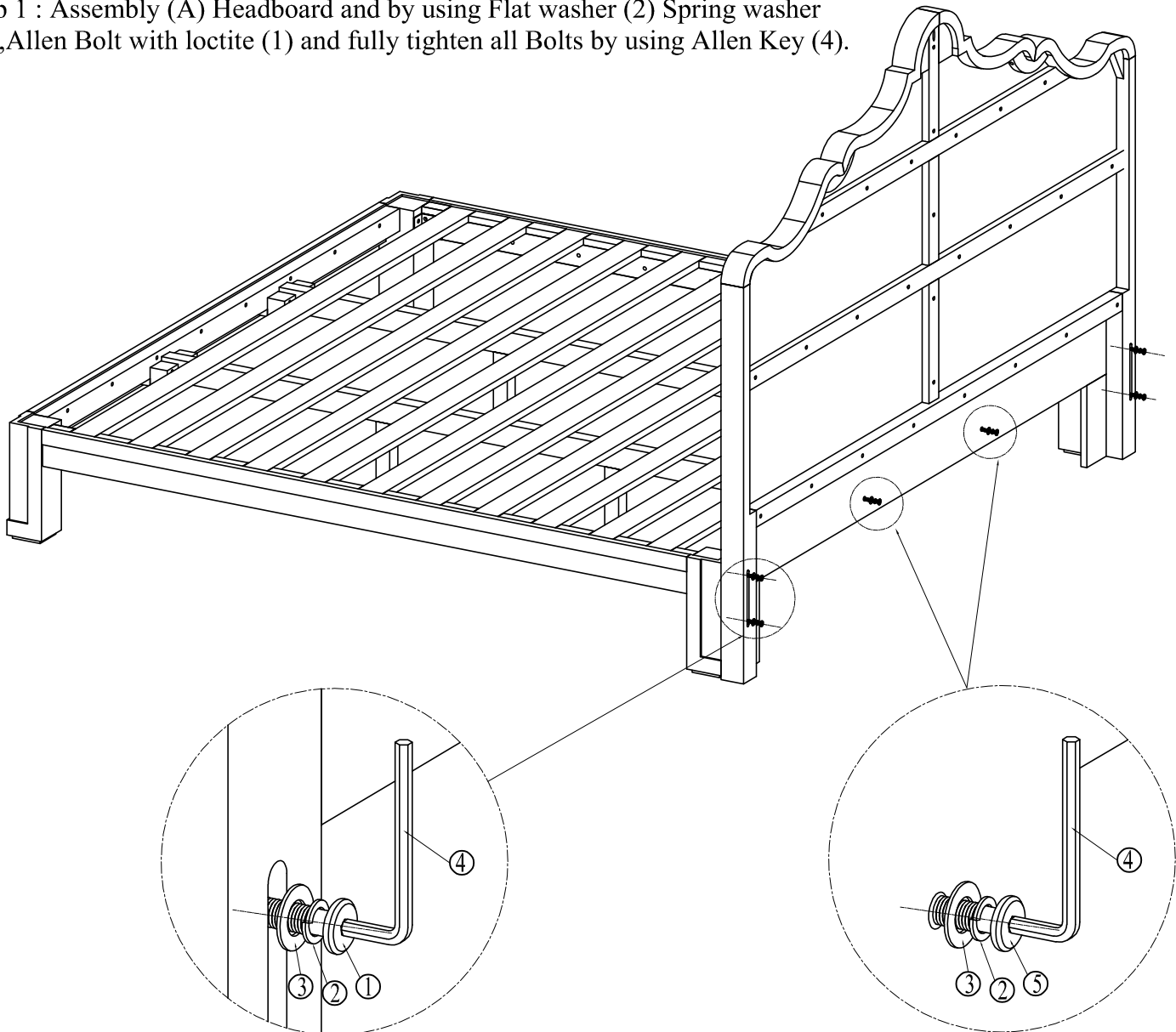
Thank you for purchasing this quality product. Check carefully for small parts which may come loose during shipment. Remove all components from pack and place top down on soft surface such as carpet or cloth to prevent scratching the finish. Identify and count all parts as specified below.

**It is recommended to use two or more person during the assembly process.**

HARDWARE LIST:				
No.	Description	Sketch	Size	Qty'
1	Allen Bolt		M8 x 80 mm	4 pcs
2	Spring Washer		M8 x 13 mm	6 pcs
3	Flat Washer		M8 x Ø18mm	6 pcs
4	Allen Key		4 mm	1 pc
5	Allen Bolt		M8 x 40 mm	2 pcs

PART LIST:			
No.	Description	Sketch	Qty'
A	Headboard		1 pc

Step 1 : Assembly (A) Headboard and by using Flat washer (2) Spring washer (3), Allen Bolt with loctite (1) and fully tighten all Bolts by using Allen Key (4).







# ASSEMBLY INSTRUCTION

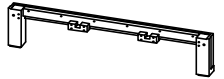





ITEM NO.: RYD-545 RYDER KING BED FRAME

**Read instruction carefully prior to assembly.**

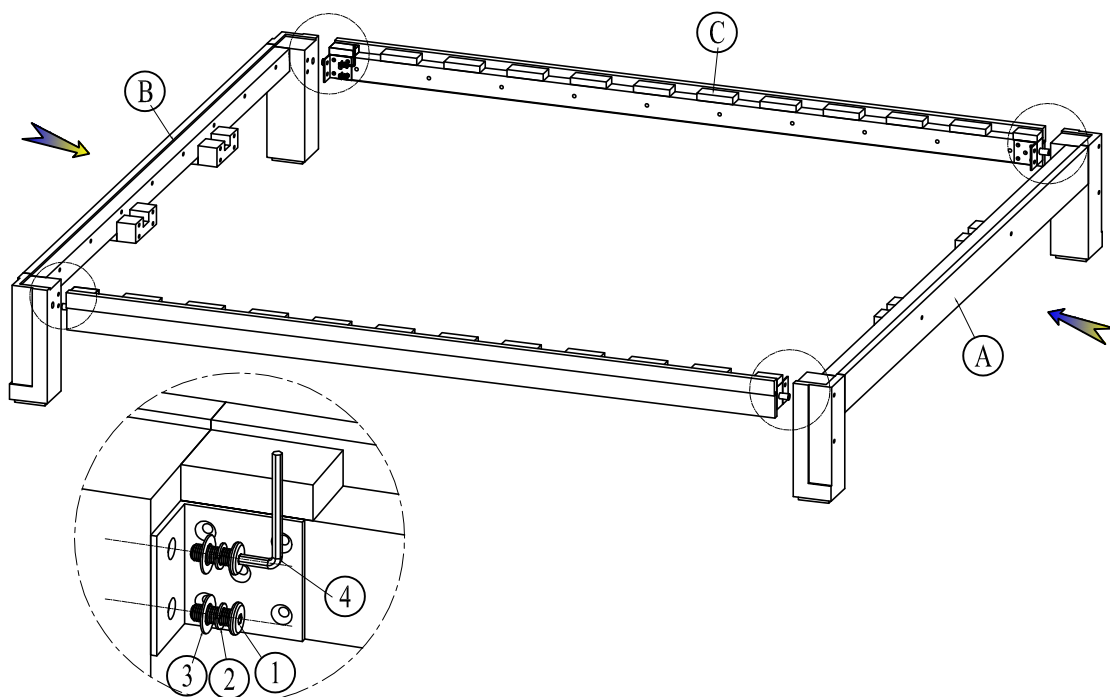
Thank you for purchasing this quality product. Check carefully for small parts which may come loose during shipment. Remove all components from pack and place top down on soft surface such as carpet or cloth to prevent scratching the finish. Identify and count all parts as specified below.

**It is recommended to use two or more person during the assembly process.**

HARDWARE LIST:				
No.	Description	Sketch	Size	Qty'
1	Allen Bolt		M8 x 20 mm	8 pcs
2	Spring Washer		M8 x 13 mm	8 pcs
3	Flat Washer		M8 x Ø18mm	8 pcs
4	Allen Key		4 mm	1 pc

PART LIST:			
No.	Description	Sketch	Qty'
A	Platform front leg frame		1 pc
B	Platform Back leg frame		1 pc
C	Side Rail + metal bracket		2 pcs
D	Support Center Rail		2 pc
E	Support Center legs		4 pcs
F	Roll Slats		1 set

Step 1: Assembly (A) Platform front leg frame & (B) Platform Back leg frame & (C) Side Rail+metal bracket use using Flat washer (2) Spring washer (2), Allen Bolt with loctite (1) and fully tighten all Bolts by using Allen Key (4)

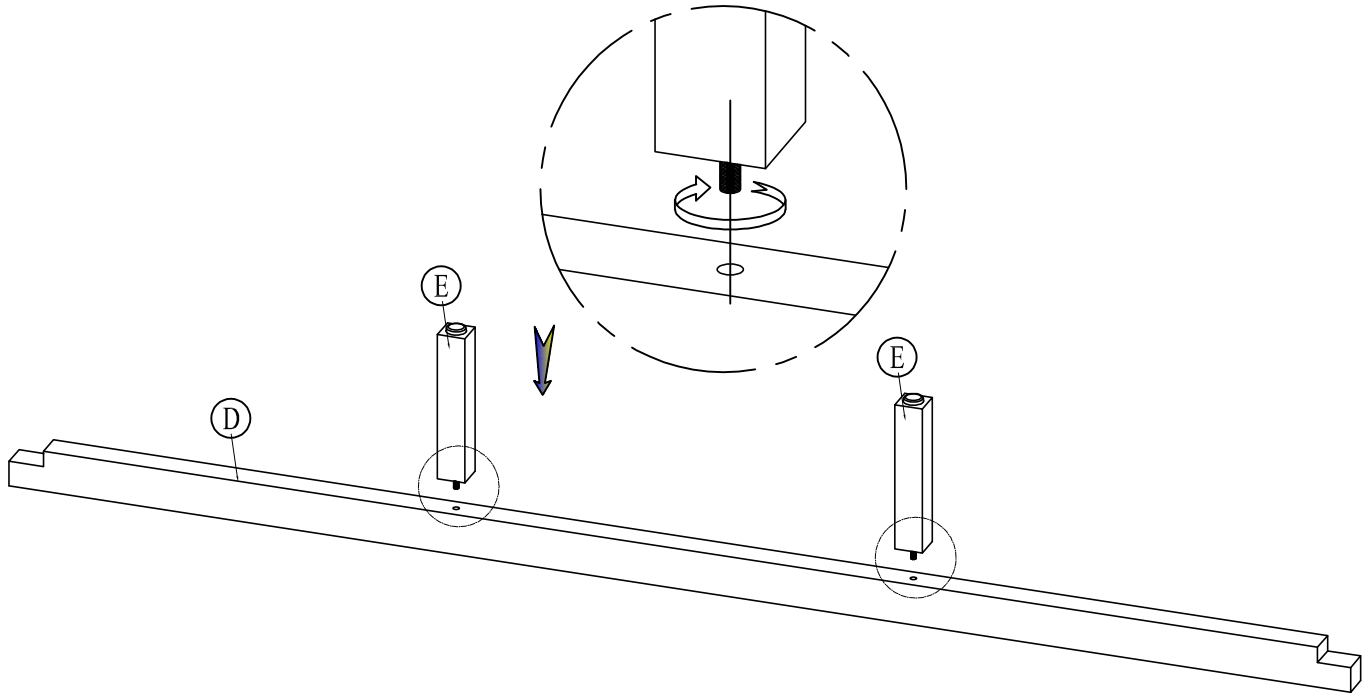


**Read instruction carefully prior to assembly.**

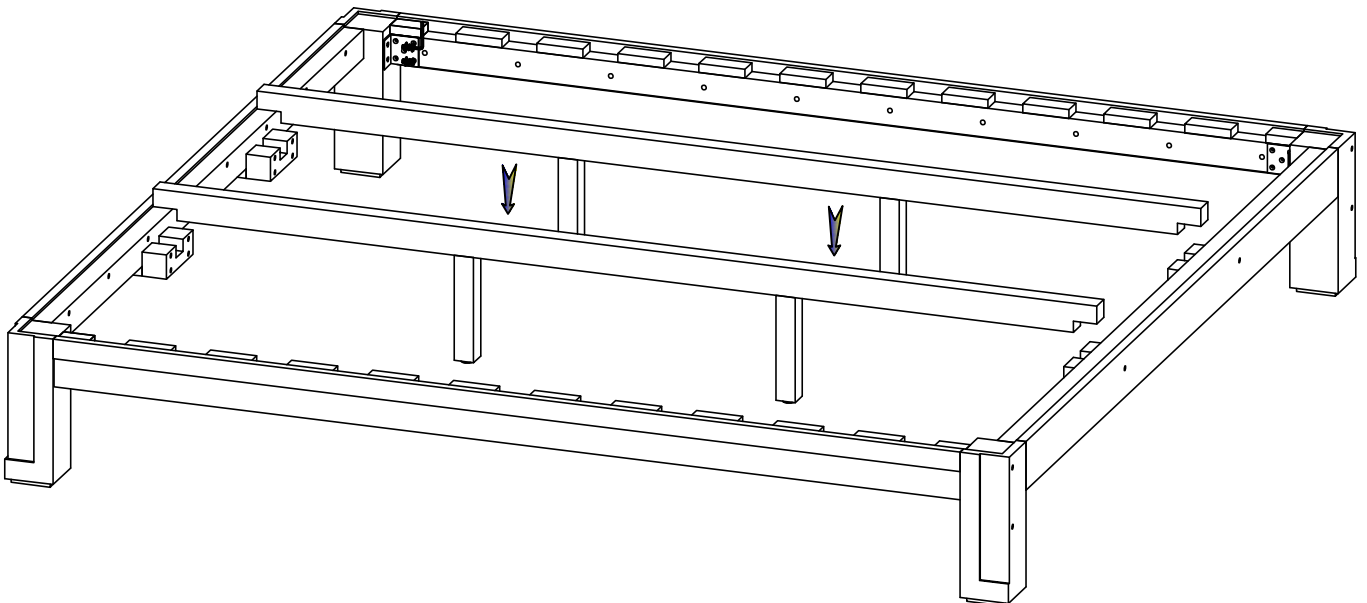
Thank you for purchasing this quality product. Check carefully for small parts which may come loose during shipment. Remove all components from pack and place top down on soft surface such as carpet or cloth to prevent scratching the finish. Identify and count all parts as specified below.

**It is recommended to use two or more person during the assembly process.**

**Step 2 : Attach (E) Support Center legs to (D) Support Center Rail**



**Step 3 : Put (D) Support Center Rail frame.**



# ASSEMBLY INSTRUCTION

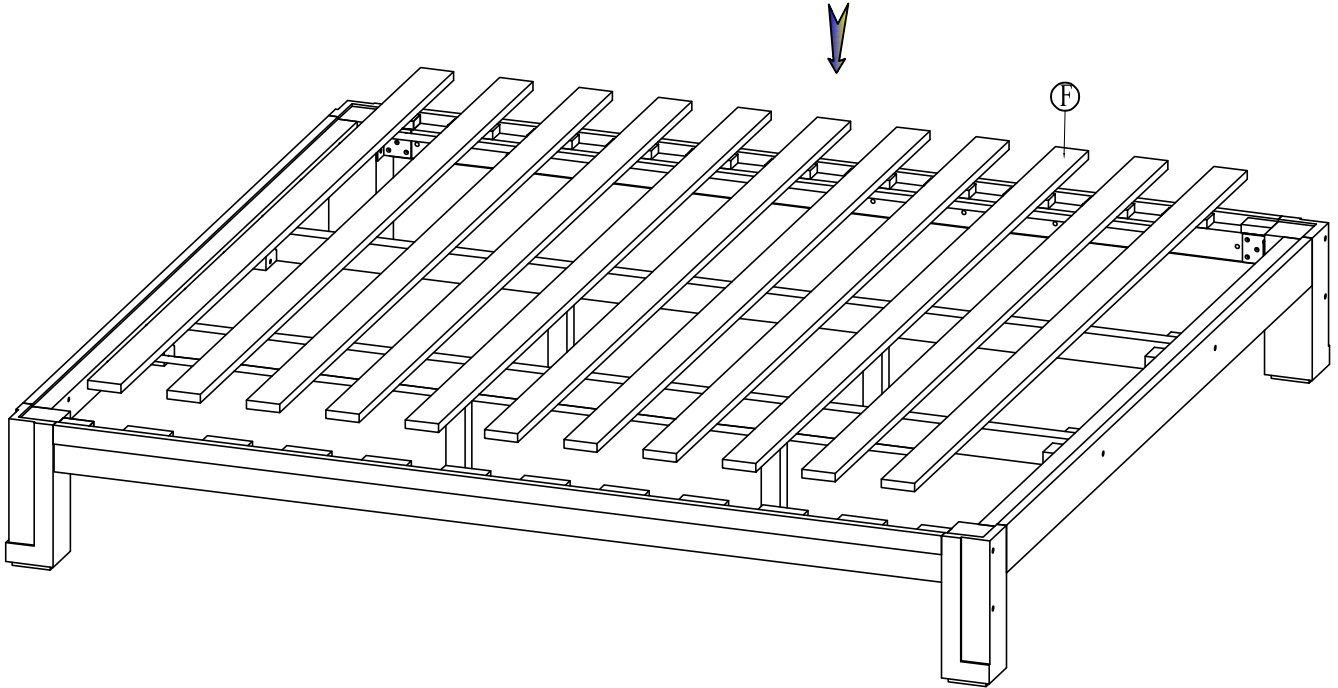
ITEM NO.: RYD-545 RYDER QUEEN BED FRAME

**Read instruction carefully prior to assembly.**

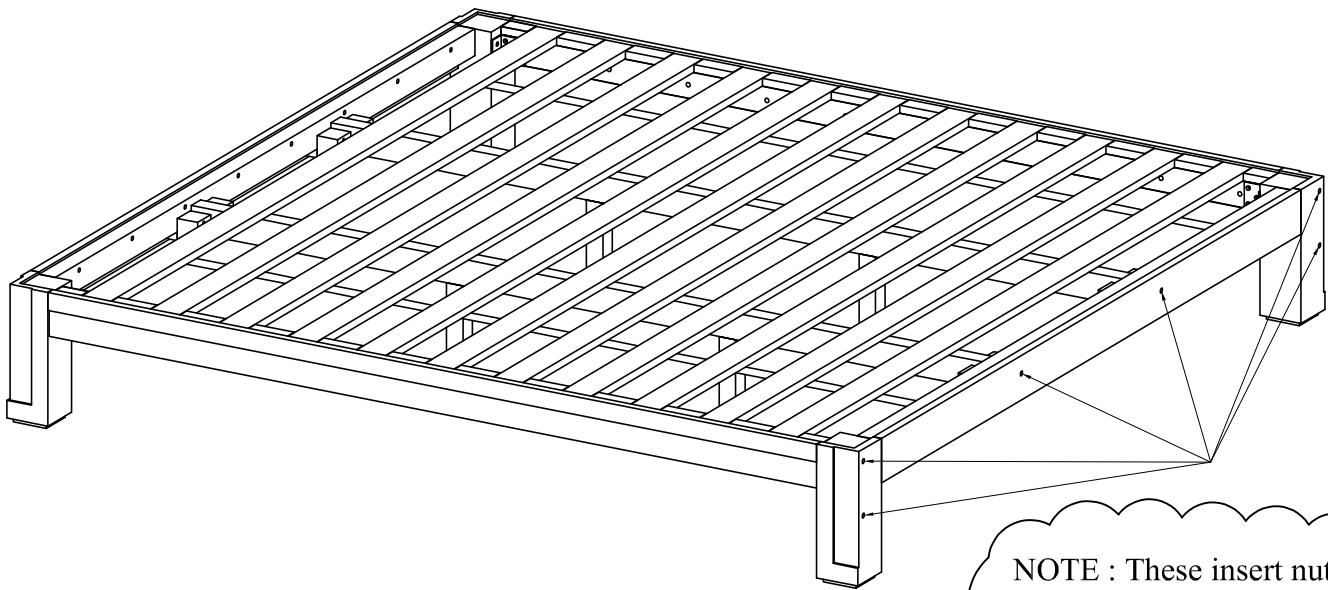
Thank you for purchasing this quality product. Check carefully for small parts which may come loose during shipment. Remove all components from pack and place top down on soft surface such as carpet or cloth to prevent scratching the finish. Identify and count all parts as specified below.

**It is recommended to use two or more person during the assembly process.**

**Step 4 : Spread out (F) Roll Flats in place.**



**Step 5 : Completed.**



**NOTE :** These insert nuts to determined attach with headboard