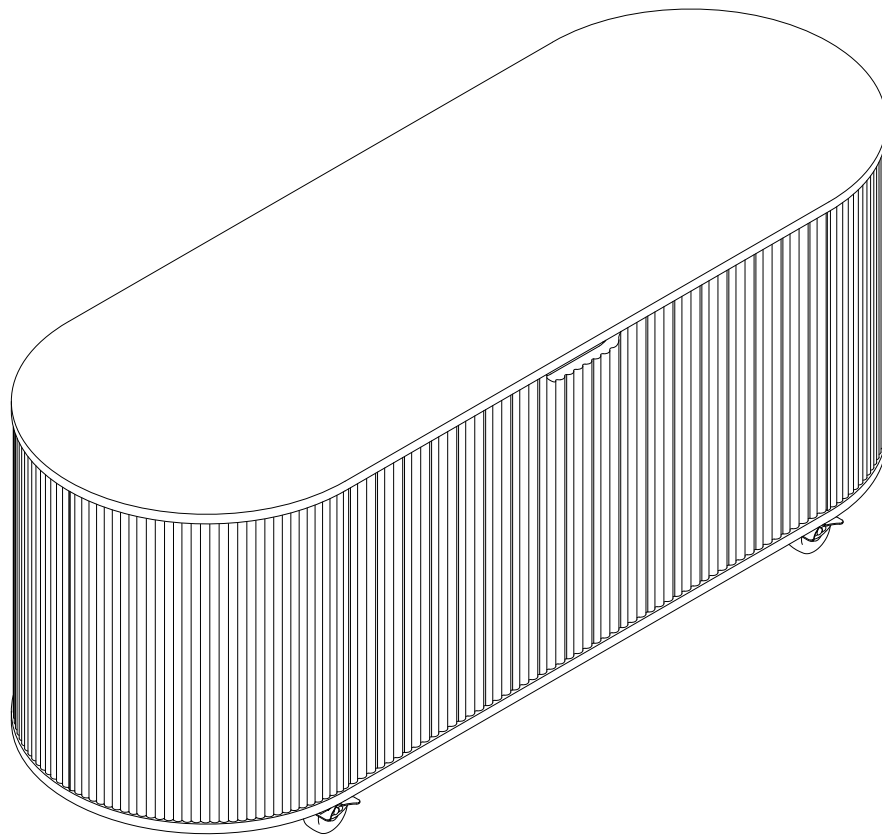


# Assembly Instructions

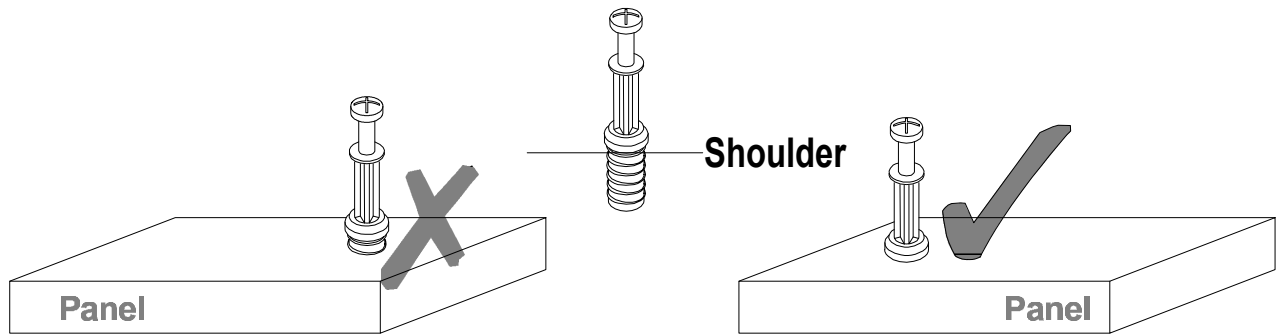


# Before Assembly

## Tips Before Your Start:

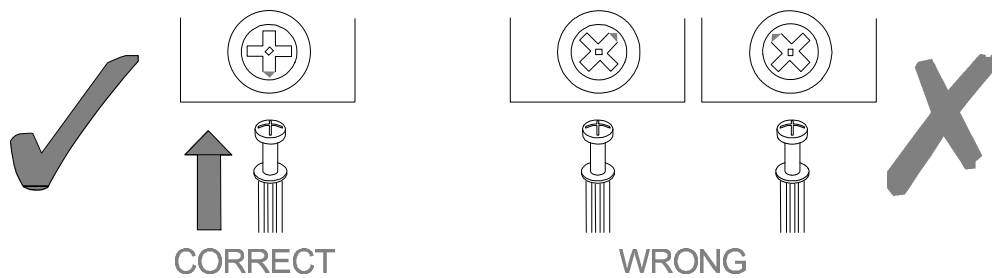
- Remove all wrapping material, including staples & packing straps before you start to assemble.
- DO NOT tighten all screws and bolts until the assembly is completely assembled.
- Keep all hardware parts out of reach of children.

## QUICKFIT



Tighten quickfit until shoulder is flush with panel. Do not overtighten or undertighten.

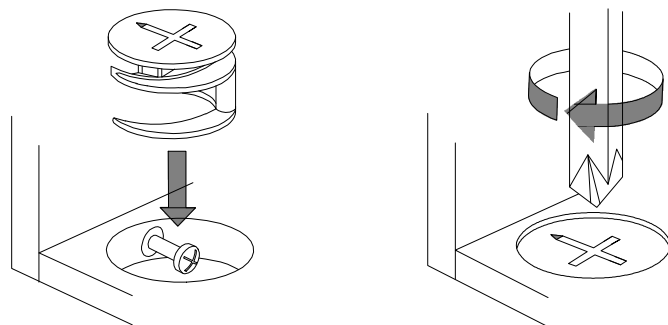
## CAM LOCK



When fitting a cam lock, ensure the starting position is correct before inserting the connecting QUI CKFIT

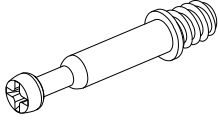

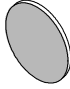
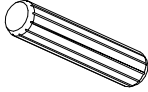
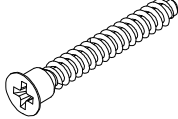
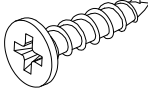
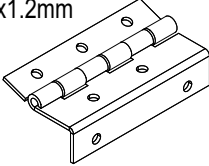
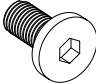

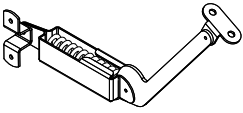
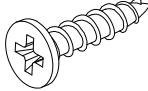

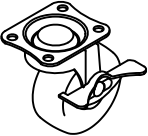
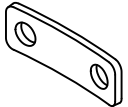
Quickfit head should be in the centre of the cam lock when the two panels are joined.

Cam lock should be inserted before quickfit.

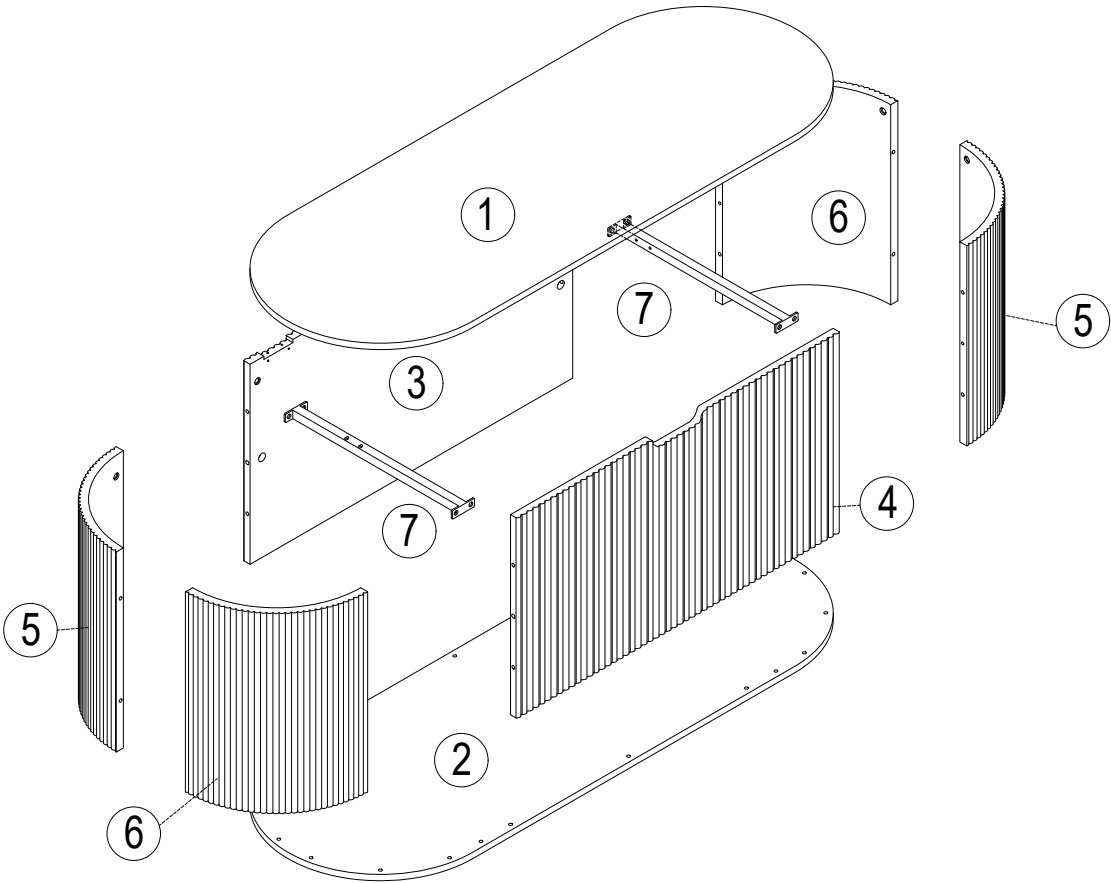


Turn cam lock clockwise to tighten.

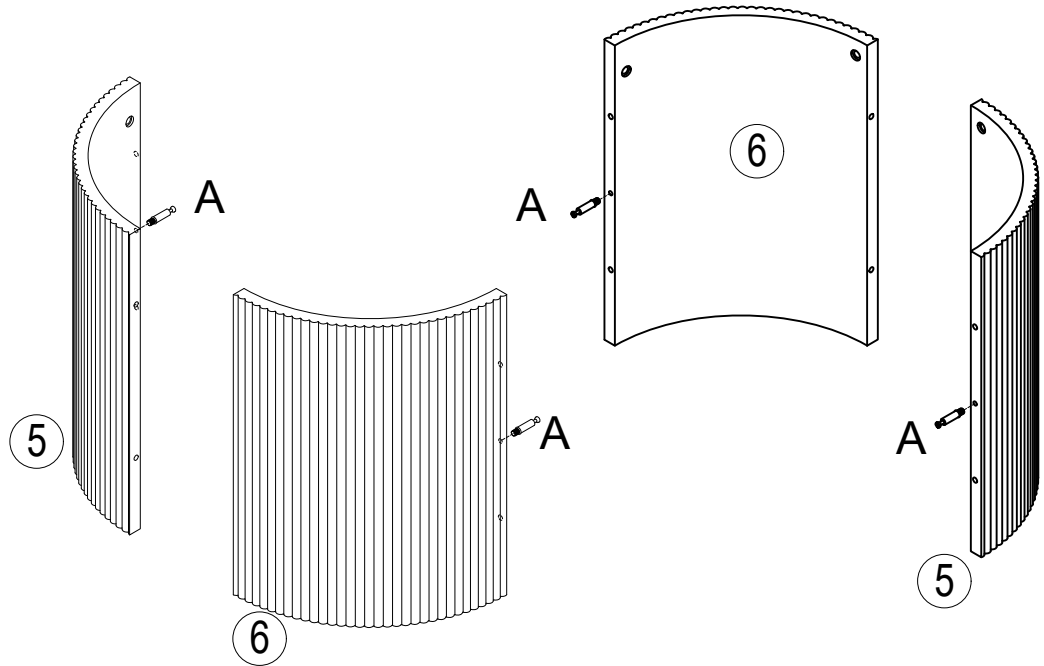
# Part List

<p><b>No. A</b> Quantity: 4 PCS Cam Bolt ø6x33.5mm</p> 	<p><b>No. B</b> Quantity: 4 PCS Cam ø15x9.5mm</p> 	<p><b>No. C</b> Quantity: 4 PCS Sticker ø20mm</p> 	<p><b>No. D</b> Quantity: 16+1 PCS Dowel ø6x30mm</p> 
<p><b>No. E</b> Quantity: 14+1 PCS Screw ø5x48mm</p> 	<p><b>No. F</b> Quantity: 32+2 PCS Screw ø3.5x12mm</p> 	<p><b>No. G</b> Quantity: 2 PCS Hinge 60x12x1.2mm</p> 	<p><b>No. H</b> Quantity: 12+1 PCS Bolt M6x10mm</p> 
<p><b>No. I</b> Quantity: 1 PCS Hex Key 4mm</p> 	<p><b>No. J</b> Quantity: 1 PCS</p> 	<p><b>No. K</b> Quantity: 2 PCS Screw ø3.5x16mm</p> 	<p><b>No. L</b> Quantity: 2 PC</p> 
<p><b>No.M</b> Quantity: 2 PC</p> 	<p><b>No.N</b> Quantity: 2 PC</p> 		

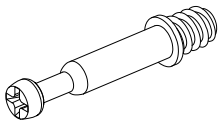
# Product structure



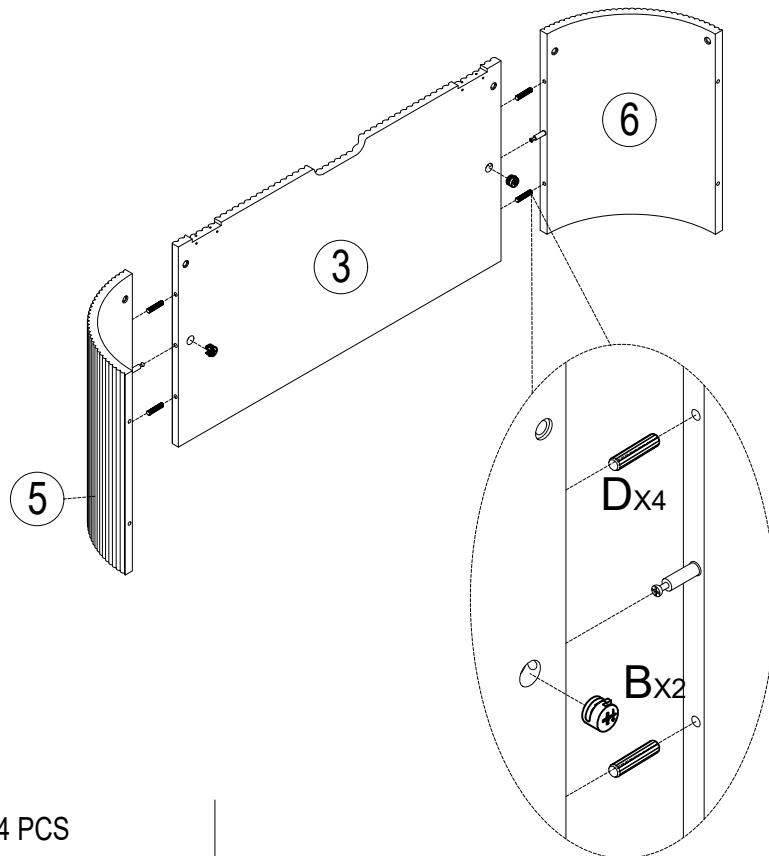
# STEP 1



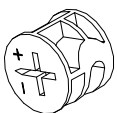
No. A  
Quantity: 4 PCS  
Cam Bolt  
ø6x33.5mm



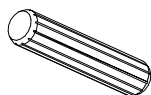
# STEP 2



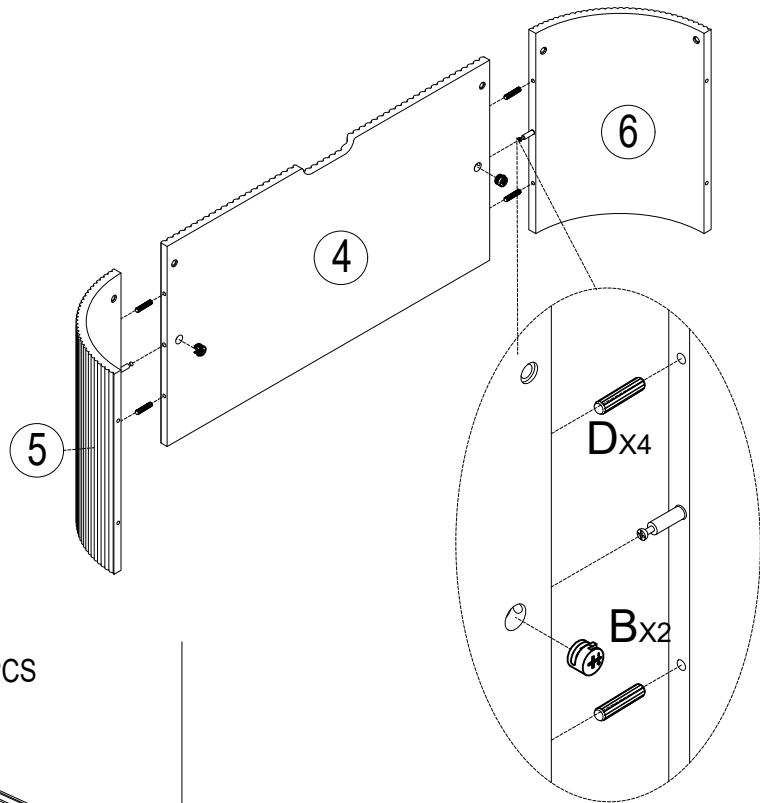
No. B  
Quantity: 2 PCS  
Cam  
ø15x9.5mm



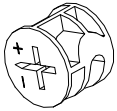
No. D  
Quantity: 4 PCS  
Dowel  
ø6x30mm



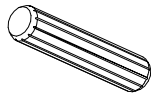
# STEP 3



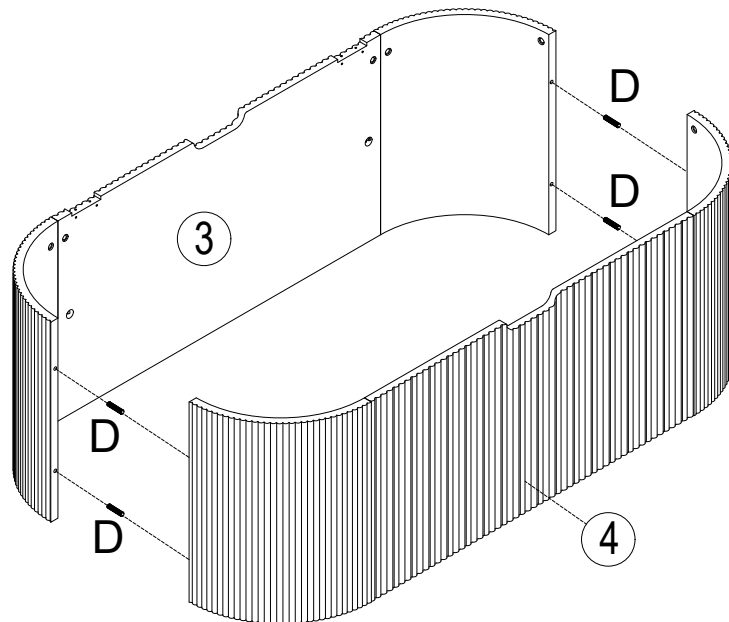
**No. B**  
Quantity: 2 PCS  
Cam  
ø15x9.5mm



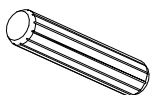
**No. D**  
Quantity: 4 PCS  
Dowel  
ø6x30mm



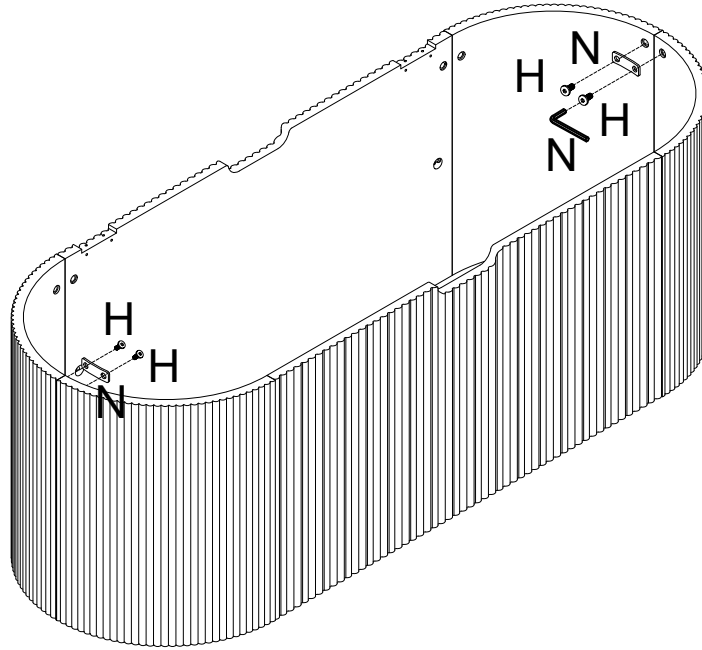
# STEP 4



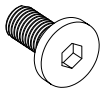
**No. D**  
Quantity: 4 PCS  
Dowel  
ø6x30mm



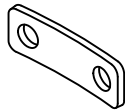
# STEP 4.1



No. H  
Quantity: 4 PCS  
Bolt  
M6x10mm



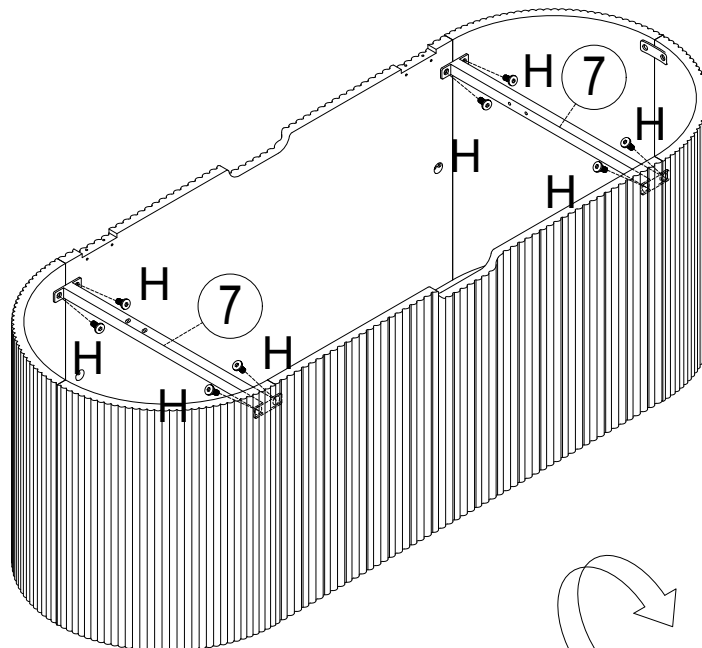
No. N  
Quantity: 2 PC



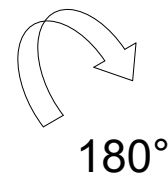
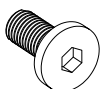
No. I  
Quantity: 1 PCS  
Hex Key  
4mm



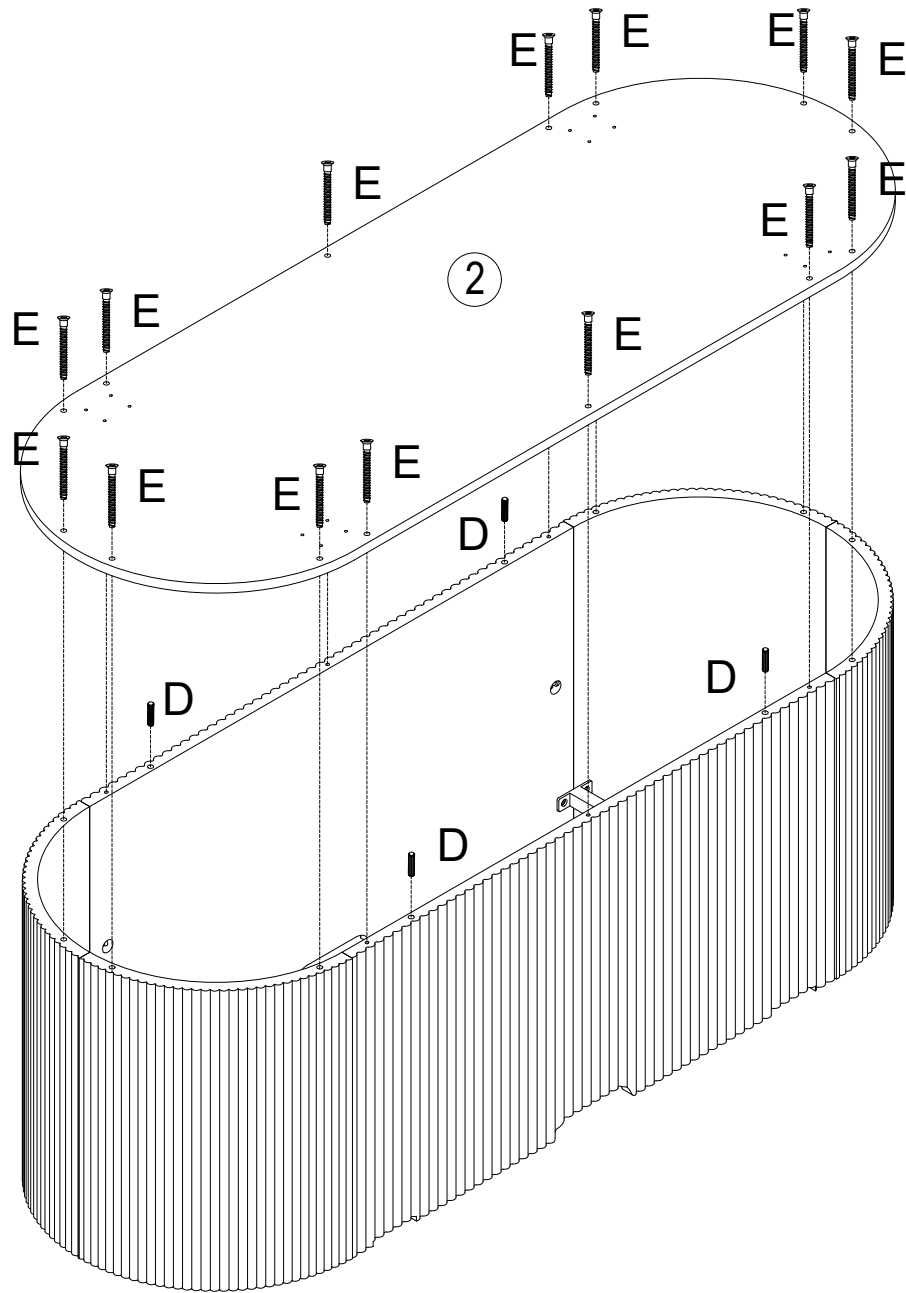
# STEP 5



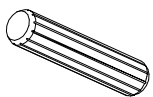
No. H  
Quantity: 8 PCS  
Bolt  
M6x10mm



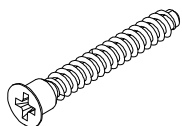
# STEP 6



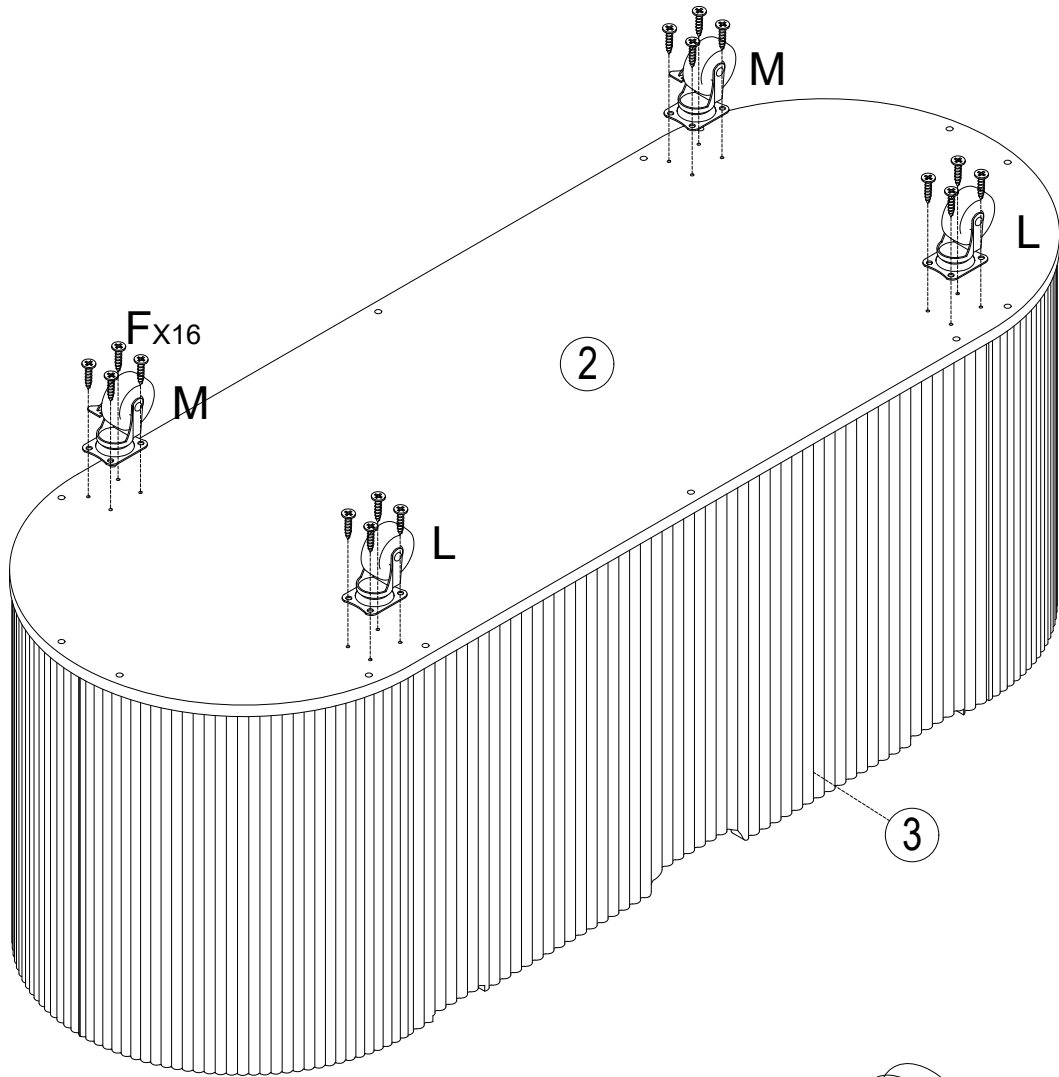
**No. D**  
Quantity: 4 PCS  
Dowel  
ø6x30mm



**No. E**  
Quantity: 14 PCS  
Screw  
ø5x48mm



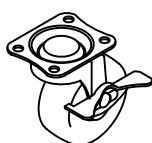
# STEP 7



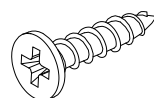
**No. L**  
Quantity: 2 PC



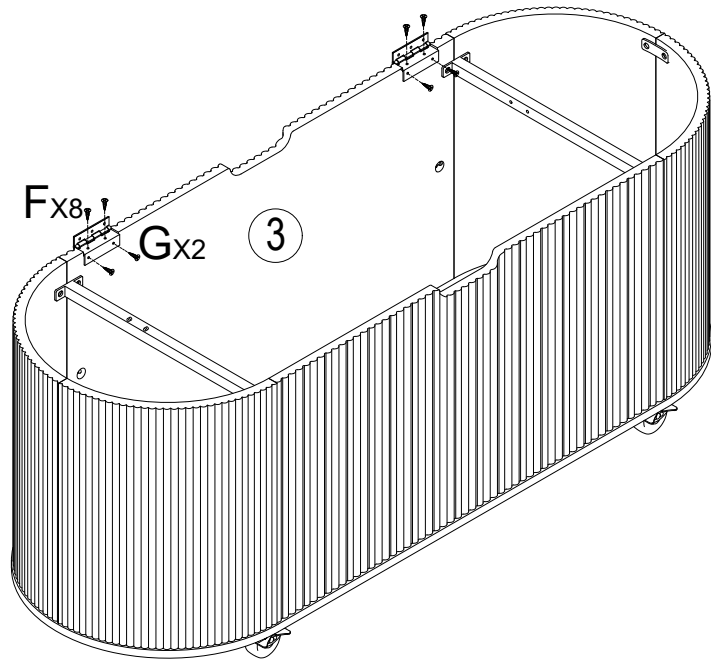
**No.M**  
Quantity: 2 PC



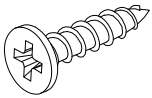
**No. F**  
Quantity: 16 PCS  
Screw  
ø3.5x12mm



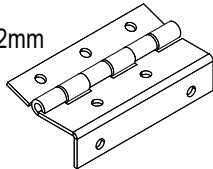
# STEP 8



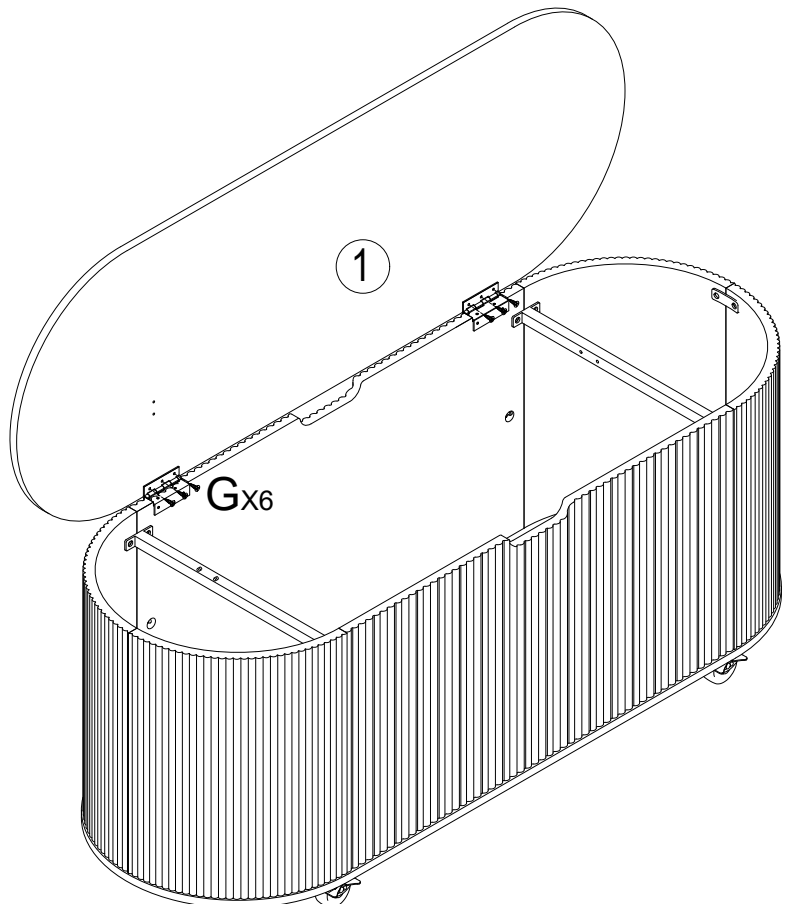
**No. F**  
Quantity: 8 PCS  
Screw  
ø3.5x12mm



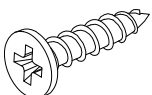
**No. G**  
Quantity: 2 PCS  
Hinge  
60x12x1.2mm



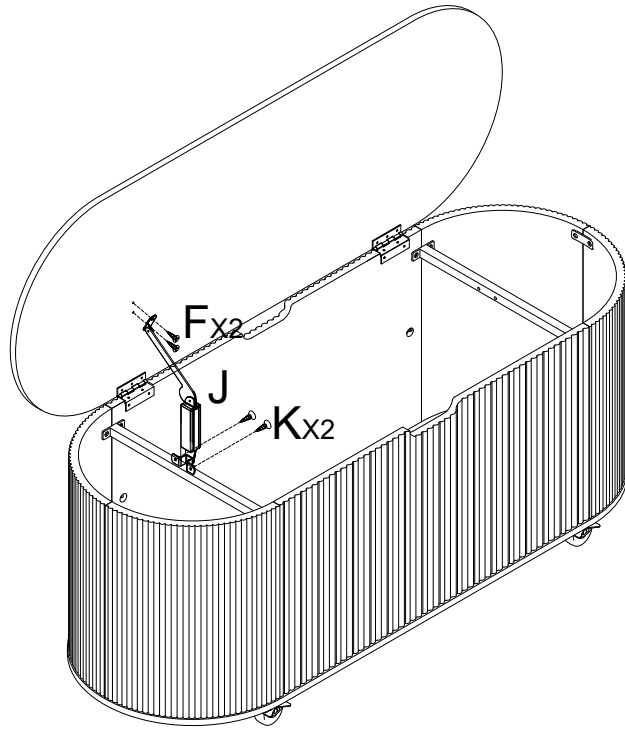
# STEP 9



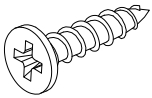
**No. F**  
Quantity: 6 PCS  
Screw  
ø3.5x12mm



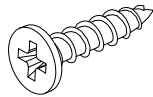
# STEP 9.1



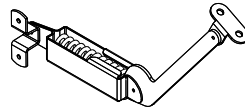
No. F  
Quantity: 2 PCS  
Screw  
ø3.5x12mm



No. K  
Quantity: 2 PCS  
Screw  
ø3.5x16mm



No. J  
Quantity: 1 PCS



# STEP 9.2

