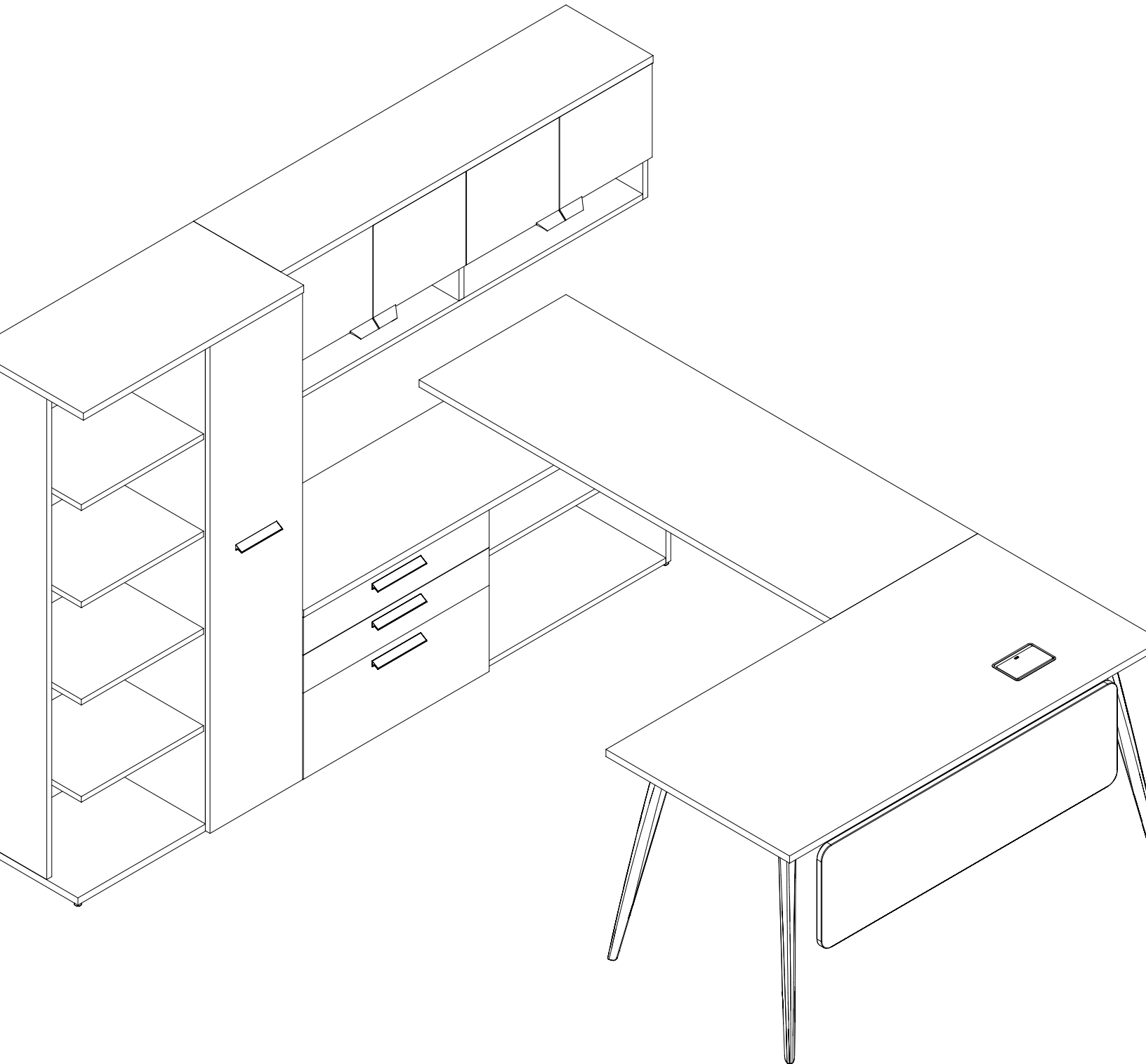


DASH

Installation Manual



General Information	4
Safety & Support.....	5
Installation Tools.....	6
Staging & Installation	7

Tabletops

Freestanding Tabletops	8
Credenza Support Leg Attachment Options	9
Resting & Wedge Tabletops	10
Bridge Tabletop: A & B Style	11
Return Tabletop	13

Credenzas

Credenza: Handles, Shelves and Doors	15
Credenza Electrical	17

Pedestals

Pedestals	18
-----------------	----

Overheads

Shared Overhead: Credenza Mounted	19
Overhead: Wall Mounted	21
All Overheads: Handles	22

Towers

Tower: Handles & Shelves	23
--------------------------------	----

Accessories

Privacy Screen	25
Panels	26

GENERAL INFORMATION

This installation manual provides necessary information for the safe installation of Friant's Dash product.

The Dash product line is a desking system composed of tabletops, storage and accessories designed for systems integration. It consists of products that are factory assembled and require installation only; and other products that are shipped as subassemblies for assembly during the installation process.

Dash products are available with an 8-wire electric system that is listed with Underwriters Laboratories and comply with UL1286.

This product is considered portable furniture and is therefore subject to local fire, electrical and building codes; therefore, check with local building authorities before installation of the product.

It is the responsibility of the dealer and the installer to properly install this product according to this manual and generally accepted industry practices.



WARNING: Failure to follow the instructions in this manual can result in product damage, personal injury or both.

SAFETY NOTES

- Please read all WARNINGS and NOTES, as these are for your safety.
- Please read TIPS in the installation as helpful suggestions.
- Always use proper tools when installing.
- Keep your work area clean, clutter-free and safe during installation.
- Use eye protection when working under a workstation or when working with tools.
- Many products weigh more than 35 pounds. Use two or more people to safely lift, carry and install the products.
- When using tools, extension cords or ladders, use them in accordance to OSHA guidelines.
- Work safe, work smart.

SUPPORT CENTER

Should you have any questions or require assistance during the installation process, please telephone our support center:

PHONE (510) 535-5113

HOURS Monday - Friday, 8am - 5pm PST

Download additional copies of this installation manual at **www.friant.com/install**.

INSTALLATION TOOLS

INSTALLATION TOOLS

The following tools are necessary for field assembly and installation of Friant's Dash product:

- Allen wrench 1/4"
- #2 Phillips head screwdriver
- #3 Phillips head screwdriver
- Screwdriver, med slotted
- Measuring tape (25' or more)
- Rubber mallet or dead blow mallet
- Carpenter's level (48")

The following tools will help speed up installations, but are not necessary:

- Drill (12v or more)
- Set of drill bits
- Set of screw bits #2 and #3
- 1/4" Allen bit for drill
- Wrench, open end 10mm (long handle is best)
- Pliers
- Carton knife
- Ratchet head 1/4" allen bit
- 6' step ladder
- Material handling carts

STAGING

In an effort to make your project run smoothly, the following is recommended:

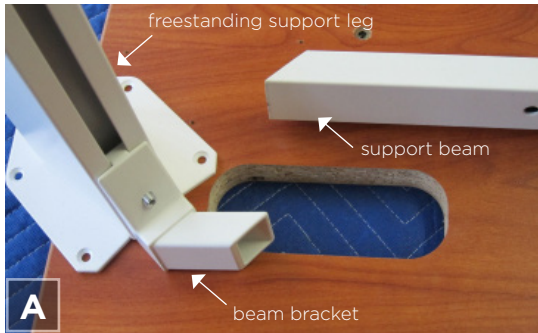
1. Unload all products into a staging area on your job site and sort by product number.
2. Check in and count all products for accuracy and damage prior to the delivery truck leaving. Note any damages or shortages on the Bill of Lading before signing.
3. Notify the factory immediately of any shortages or damages (with photos of product and packaging for documentation).
4. Keep and maintain a clutter-free staging area — it will help speed up your assembly.
5. Protect all building walls with furniture pads or cardboard where product is leaning against them or in high traffic areas.

FOR SUCCESSFUL INSTALLATION

Keep these items in mind while installing product:

- Ensure that all products are level throughout the installation process and correctly attached.
- Check product for stability after installation of all components. If needed, correct or adjust leveling or installation to fix stability.

TABLETOPS



FREESTANDING TABLETOPS

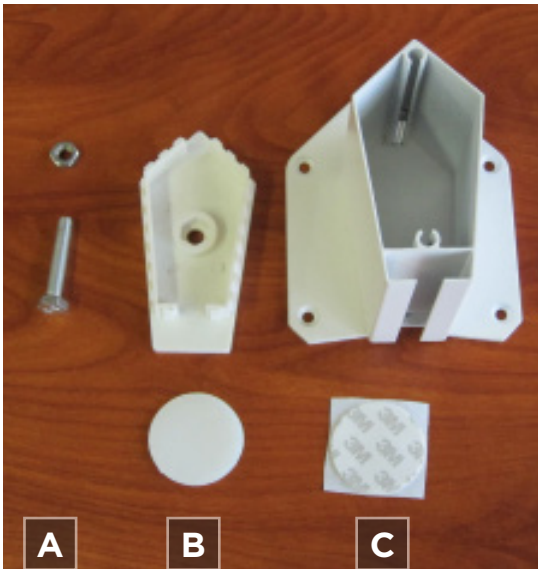
Freestanding tops have four legs and two support beams that run along the length of the tabletop. Each support beam connects two legs together, left and right.

1. Begin by preparing each leg for installation. Slide the beam bracket inside the groove on the freestanding leg. Repeat this process for all four legs. *IMAGE A*
2. Attach a freestanding support leg, with the beam bracket secured, to the back of the worksurface at the pre-drilled hole location using five screws provided. *IMAGE B*
3. Slide a support beam onto the secured beam bracket. *IMAGE B*



NOTE: Support beams for freestanding tabletops are sized to run along the length of the tabletop.

4. On the opposite end of the support beam, slide on a second freestanding leg with beam bracket secured. Attach this leg to the back of the worksurface using five screws provided, at the pre-drilled hole location. *IMAGE C*
5. Attach the support beam to the surface with four screws provided. *IMAGE C*
6. Repeat steps 2-5 for the other side of the table.
7. Tighten the beam bracket screws on all four legs.



CREDENZA SUPPORT LEG ATTACHMENT OPTIONS

Credenza support legs offer 3 different types of attachment options depending on usage.

(A) Bolt and Nut

permanent (drills hole in credenza)

(B) Adhesive/Rubber

move-able

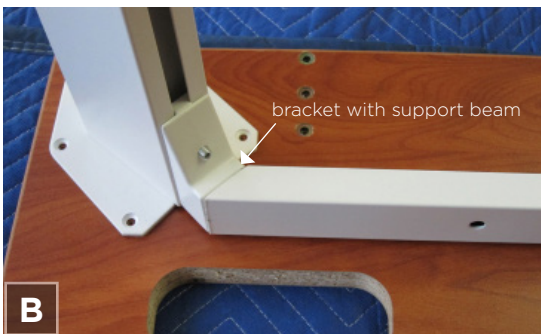
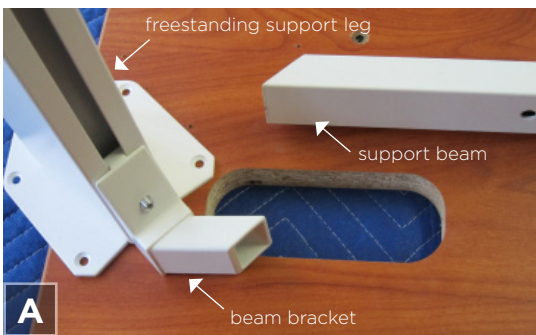
(C) Double-sided Adhesive

semi-permanent

TABLETOPS



Overview of finished resting tabletop



RESTING & WEDGE TABLETOPS

Resting and Wedge tabletops have a credenza support leg on one side and a freestanding support leg on the other.

1. Begin by preparing each leg for installation. Slide the beam bracket inside the groove on the leg. Repeat this process for two freestanding legs and two credenza support legs. IMAGE A

2. Attach a freestanding support leg, with the beam bracket secured, to the back of the worksurface at the pre-drilled hole location using five screws provided. IMAGE B

3. Slide a support beam onto the secured beam bracket. IMAGE B



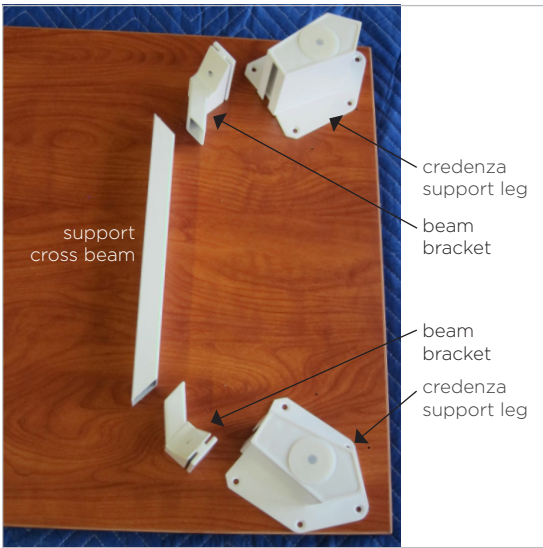
NOTE: Support beams for freestanding tabletops are sized to run along the length of the tabletop.

4. On the opposite end of the support beam, slide on a credenza support leg with beam bracket secured. Attach this support leg to the back of the worksurface using five screws provided, at the pre-drilled hole location. IMAGE C

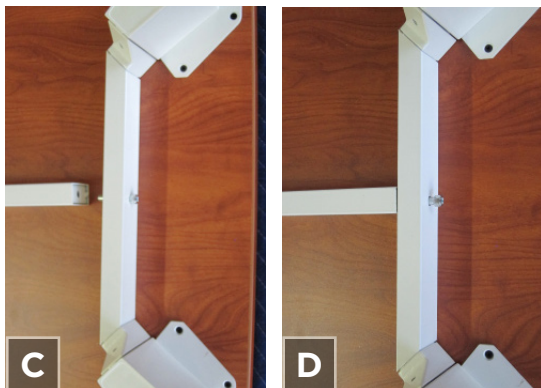
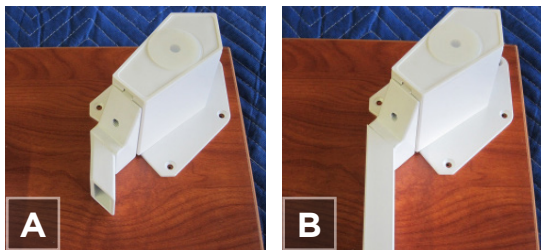
5. Attach the support beam to the surface with four screws provided. IMAGE C

6. Repeat steps 2-5 for the other side of the table.

7. Tighten the beam bracket screws on all four legs.



Overview of parts for credenza resting support.



BRIDGE TABLETOPS: A STYLE & B STYLE

Bridge tabletops are available in *A Style* or *B Style*. Both rest on a credenza on one side. The difference is in what connects on the other side of the tabletop.

A Style: Connects to a freestanding tabletop

B Style: Connects to a tower

1. Begin by preparing each credenza support leg for installation. Slide the beam bracket inside the groove on the leg. Repeat this process for two credenza support legs. IMAGE A

IMAGE A

2. Attach the credenza support leg, with the beam bracket secured, to the back of the worksurface at the pre-drilled hole location using five screws provided. IMAGE A

3. Slide a support beam onto the secured beam bracket. IMAGE B

B



NOTE: Support cross beams for bridge tabletops are sized to run along the depth of the tabletop.

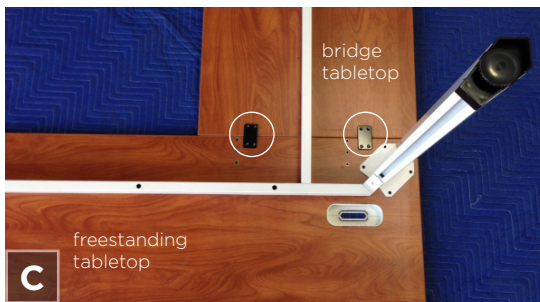
4. On the opposite end of the support beam, slide on a credenza support leg with beam bracket secured. Attach this support leg to the back of the worksurface using five screws provided, at the pre-drilled hole location. IMAGE C
5. Attach the extended support beam at the center of the support cross beam. Secure at the location of the predrilled hole. IMAGE C & D



NOTE: Extended support beams for bridge tabletops are sized to run along the length of the tabletop.

6. Continue installation with either *A Style* or *B Style* instructions on the next page.

TABLETOPS



View of under worksurface



View of under worksurface

A STYLE BRIDGE TABLETOPS Connect to a Freestanding Tabletop



TIP: Determine the distance required between the freestanding top and credenza to allow proper space for installation.

1. Begin by resting the credenza support legs on the credenza.
2. Connect the extended support beam on the bridge tabletop to the support beam on the freestanding tabletop. Secure together at the location of the predrilled hole. **IMAGE A**
3. Align the outside edge of the tabletops so they are flush. **IMAGE B**

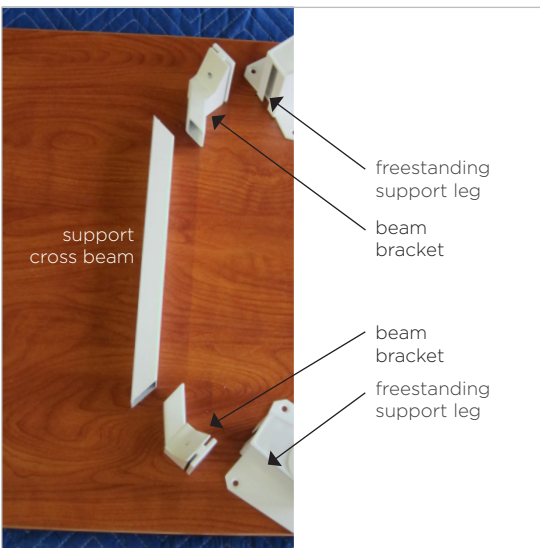


NOTE: Make sure the tabletops are properly aligned before proceeding to next step.

4. Install mending plates at the predrilled hole locations at either side of the extended support beam. **IMAGE C & D**



Overview of return tabletop



Overview of parts for return tabletop support.

RETURN TABLETOPS

Return tabletops have legs on one side and connect to a freestanding tabletop on the other.

1. Begin by preparing each freestanding leg for installation. Slide the beam bracket inside the groove on the leg. Repeat this process for two freestanding legs. *IMAGE A*
2. Attach the freestanding leg, with the beam bracket secured, to the back of the worksurface at the pre-drilled hole location using five screws provided. *IMAGE A*
3. Slide a support beam onto the secured beam bracket. *IMAGE B*

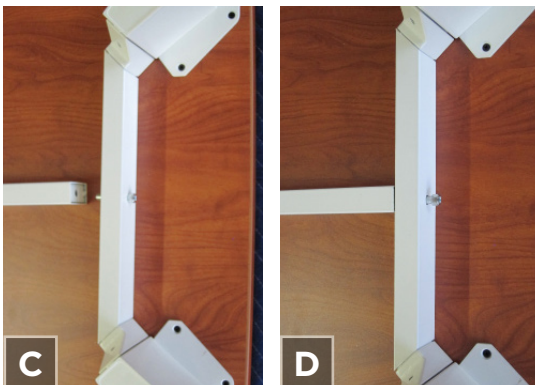
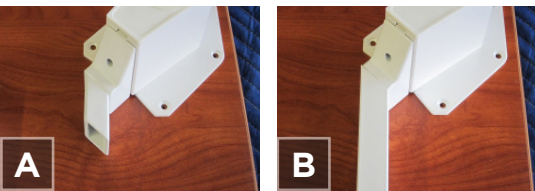


NOTE: Support cross beams for bridge tabletops are sized to run along the depth of the tabletop.

4. On the opposite end of the support beam, slide on a freestanding leg with beam bracket secured. Attach this leg to the back of the worksurface using five screws provided, at the pre-drilled hole location. *IMAGE C*
5. Attach the extended support beam at the center of the support cross beam. Secure at the location of the predrilled hole. *IMAGE C & D*



NOTE: Extended support beams for bridge tabletops are sized to run along the length of the tabletop.



TABLETOPS



RETURN TABLETOPS, continued

6. Connect the extended support beam on the return tabletop to the support beam on the freestanding tabletop. Secure together at the location of the pre-drilled hole. *IMAGE E*
7. Align the outside edge of the tabletops so they are flush.
8. Install mending plates at the predrilled hole locations at either side of the extended support beam. *IMAGE G*

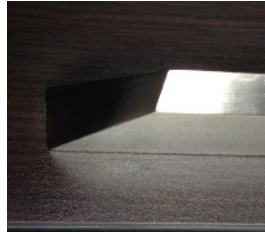
CREDENZAS: HANDLES, SHELVES, DOORS



TIP: First, place the credenza at its final location per plan and level it before proceeding with the installation below.

Handles

Be sure the handles are oriented correctly as shown in the images to the left.

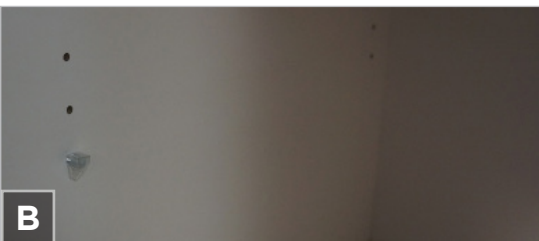


Correct

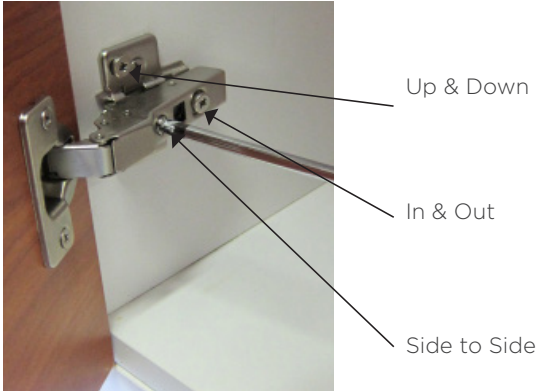
Incorrect

Shelves

1. Install shelf pins at the desired height. IMAGE A & B
2. Place shelves on top of the pins. IMAGE C & D



CREDENZAS: HANDLES, SHELVES, DOORS

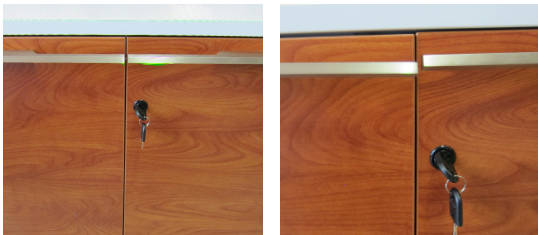


Doors

Hinges have a 3-point adjustment for alignment:

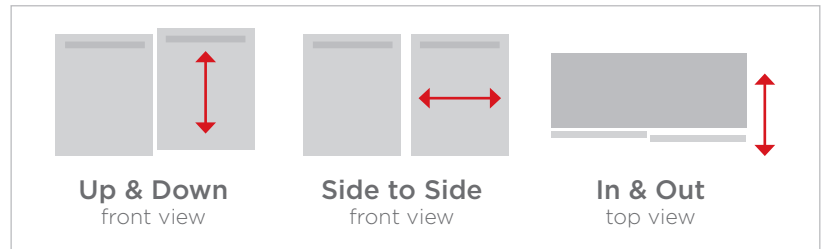
- In and Out
- Up and Down
- Side to Side

See image to the left for adjustment screws and example of correct alignment. The drawing below represents each adjustment type.



Correct

Incorrect



CREDENZA: ELECTRICAL



NOTE: The installation of the power entries, both ceiling feed and base power entry, must be made by a qualified electrician. The purpose of this installation instruction is to assist you in working with the electrician to have this product installed. Under no circumstances should this be attempted by a person not recognized by local building authorities as a qualified electrician.



WARNING: Power entries should not be installed by any person(s) other than a qualified electrician. Attempting to do so can result in electric shock, personal injury, product damage, property damage or death.



WARNING: Failure to follow these instructions for connecting the festoon can cause a short circuit and may result in product damage, electrical shock, property damage or personal injury.

Single Circuit

1. Connect credenzas using daisy chain power connector.
2. Once all credenzas are connected, install the infeed to the first credenza.



NOTE: Single circuit daisy chain connectors are universal for all credenza widths. The infeed is the same as the daisy chain connector.



NOTE: Power plugs are inside the credenza so duplexes are not required separately.

4 Circuit

1. Connect credenzas using daisy chain power connector, specific to the width of the credenza.
2. Install duplexes.
3. Once all credenzas are connected, install the infeed to the first credenza.

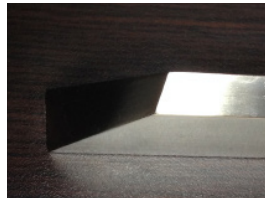


NOTE: Duplexes must be ordered separately for 4-circuit powered credenzas.

PEDESTALS



Correct



Incorrect

PEDESTALS: HANDLES & CASTERS

Handles

Be sure the handles are oriented correctly as shown in the images to the left.

Casters

Attach each caster to the bottom of the pedestal at the pre-drilled hole locations. Each caster requires 4 flathead screws provided.



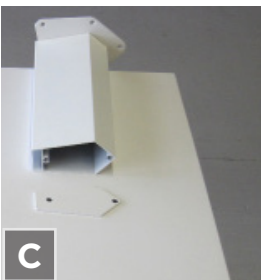


Overview of installed shared overhead

SHARED OVERHEAD: CREDENZA MOUNTED

1. Remove screws from the bottom of the shared overhead support column. **IMAGE A**
2. Place the bottom plate of the shared overhead support column on the credenza. **IMAGE B**
3. Line up bottom plate and support column with the holes on top of the credenza. **IMAGE C**
4. Secure from the inside of the credenza at the location of the pre-drilled holes with screws provided. **IMAGE D**

Continued on the next page »



OVERHEAD STORAGE



Overhead support column installed.



E



F



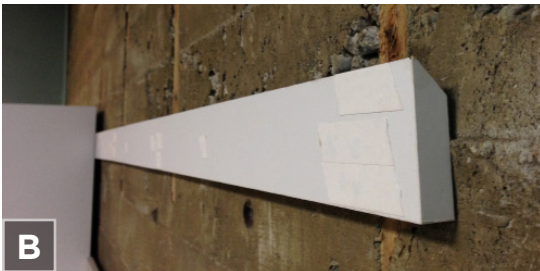
G

SHARED OVERHEAD: CREDENZA MOUNTED, cont'd

5. Lift and place the shared overhead on top of the shared overhead support column. Measure all sides to ensure the overhead is centered. *IMAGE E*
6. Secure the shared overhead to the shared overhead support columns with screws provided. *IMAGE E & F*



WARNING: Use two people to safely lift and install.



OVERHEAD: WALL MOUNTED

1. Uninstall doors from the overhead.
2. Detach the cleat from the wall mounted overhead.
3. Place and level the cleat at the desired location on the wall. IMAGE A & B
4. Mark the location of the cleat screws on the wall with an awl and install. IMAGE A & B

⚠ WARNING: Be careful when installing the cleat — you must use appropriate anchors for attaching this product to the wall. These anchors will vary depending on the field conditions. Be careful not to damage corner beads for drywall; it is strongly suggested you space off the edge of a drywall corner 2", to prevent damage.

⚠ WARNING: Use two people to safely lift and install.

5. Hang the wall mounted overhead onto the cleat. IMAGE C
6. Please refer to **detailed image on next page** for screw locations. Secure the overhead to the wall mounted cleat using 1.5" long flat head wood screws provided. IMAGE D
7. Reinstall doors to the overhead. IMAGE E
8. Install handles onto doors. IMAGE E

OVERHEAD STORAGE

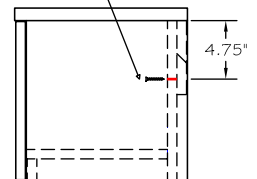
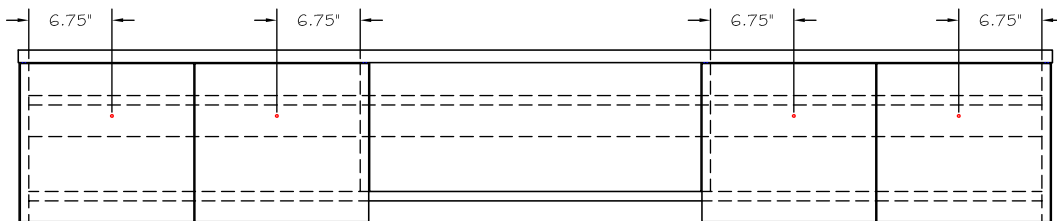
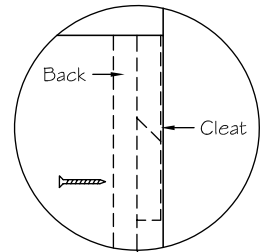


WARNING: Failure to follow the instructions in this manual can result in product damage, personal injury or both.

Attention Installer

After the cabinet is hung on the wall cleat, use the 1-1/2" wood screws (provided) and secure the cabinet through the inside per the drawing. Use provided cover caps to cover screws.

Enlarged View Showing Application



* Quantity and spacing varies per unit.

Quantity of screws required for each width cabinet:

FD-OS-XX36 = QTY 3

FD-OS-XX42 = QTY 3

FD-OS-XX48 = QTY 3

FD-OS-XX54 = QTY 4

FD-OS-XX60 = QTY 4

FD-OS-XX66 = QTY 4

FD-OS-XX72 = QTY 4

FD-OS-XX78 = QTY 4

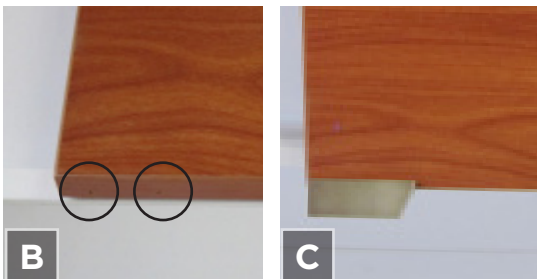
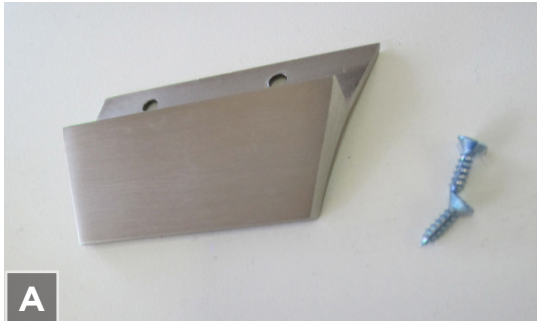
FD-OS-XX84 = QTY 4



ALL OVERHEADS: HANDLES

Be sure the handles are oriented correctly as shown in the images to the left.

1. Place the handle over the predrilled holes at the bottom of the door. *IMAGE A*
2. Insert the screws provided into the predrilled holes and tighten. *IMAGE B & C*

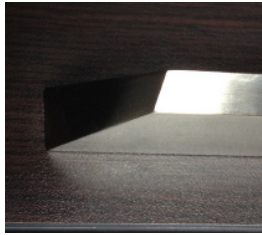


Right-handed door and handle shown.

TOWERS



Correct



Incorrect



Up & Down

In & Out

Side to Side



Correct

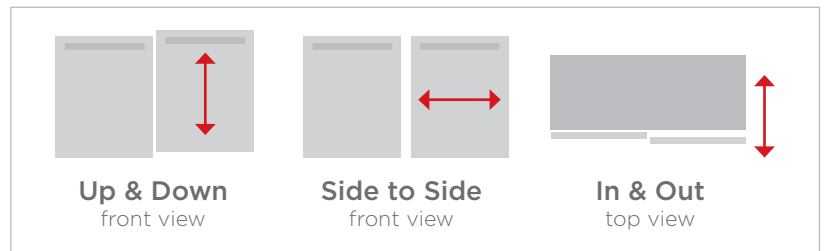


Incorrect

TOWERS: HANDLES

Be sure the handles are oriented correctly as shown in the images to the left.

1. Place the handle over the predrilled holes at the bottom of the door. IMAGE A
2. Insert the screws provided into the predrilled holes and tighten. IMAGE A

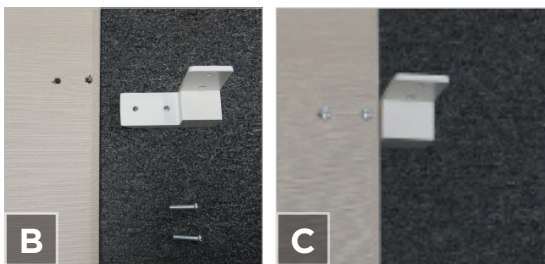
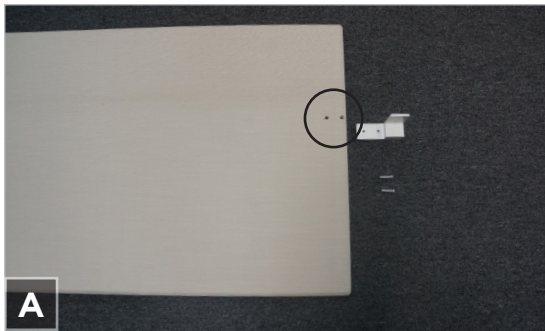


TOWERS: SHELVES

1. Install shelf pins at the desired height. *IMAGE A & B*
2. Place shelves on top of the pins. *IMAGE C & D*

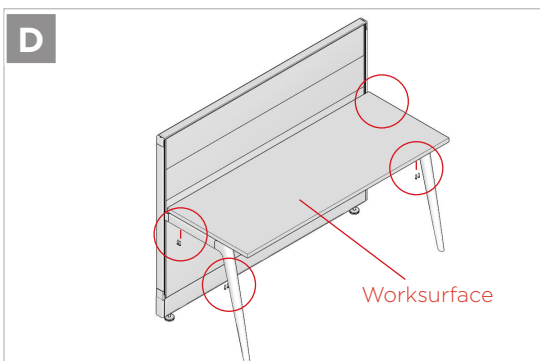
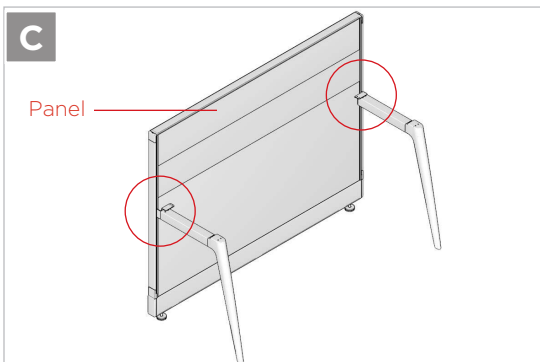
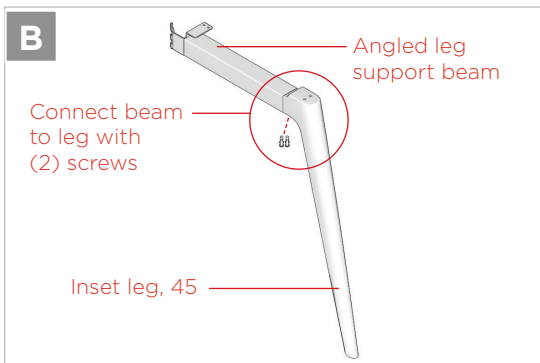
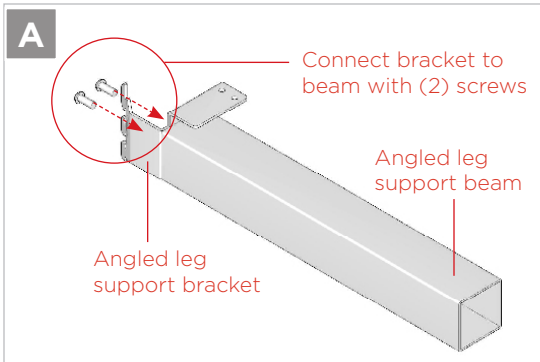


FABRIC SCREEN



PRIVACY SCREEN

1. Prepare for installation by ensuring the privacy screen is oriented correctly for top and bottom. The pre-drilled holes should be closer to the top of the screen. *IMAGE A*
2. Attach the left and right brackets accordingly to the fabric screen at the pre-drilled hole locations on the privacy screen using the 1" machine screws provided. *IMAGE B & C*
3. On the underside of the worksurface there will be pre-drilled holes for mounting the privacy screen. *IMAGE D*
4. Mount the privacy screen to the worksurface by positioning the brackets to the pre-drilled hole locations using the 3/4" machine screws provided. *IMAGE E*



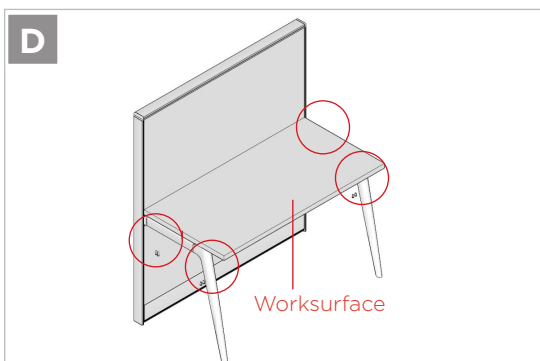
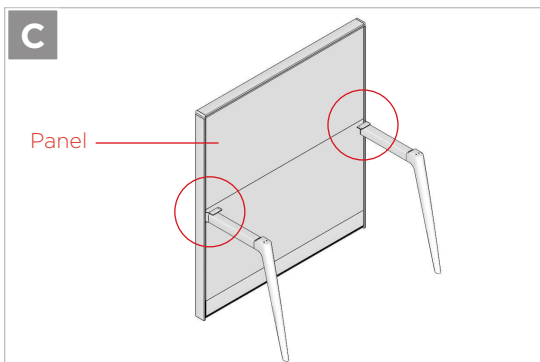
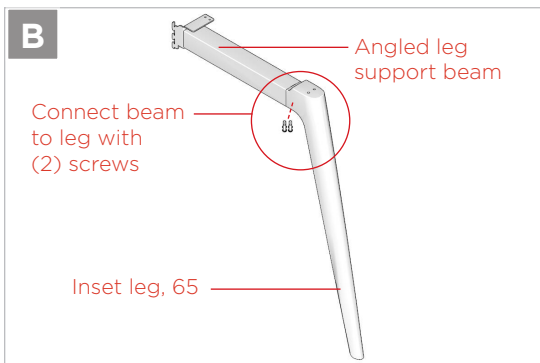
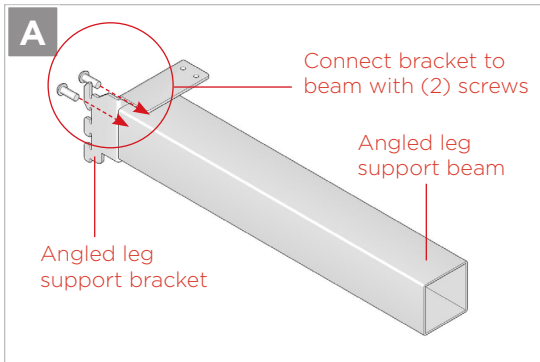
INSTALLATION OF INSET LEGS TO A NOVO PANEL

Installation of Inset legs to a Novo (45) panel with worksurface.

1. Attach angled leg support bracket onto the angled leg support beam with (2) M6*1.0x20mm hex button socket cap screws provided. *IMAGE A*
2. Attach inset leg to the leg support beam with (2) M6*1.0x20mm hex button socket cap screws provided. *IMAGE B*
3. Install leg support beams with inset legs onto the panel at specified height. *IMAGE C*
4. Install worksurface onto the legs. Secure with the (8) M6*1.0x25mm hex button socket cap screws provided. *IMAGE D*

PANELS

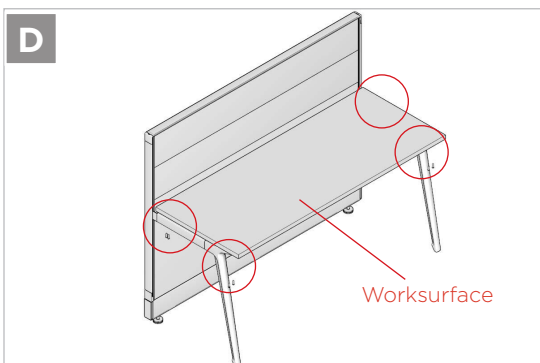
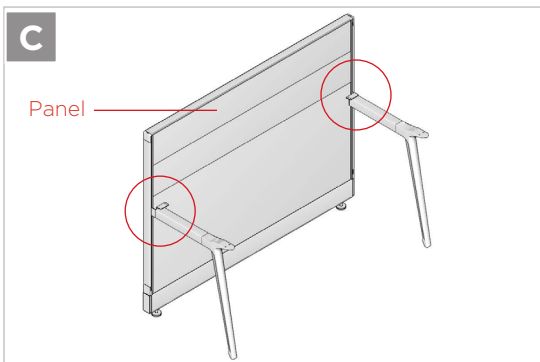
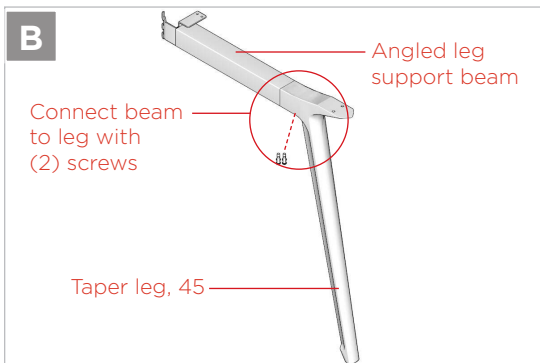
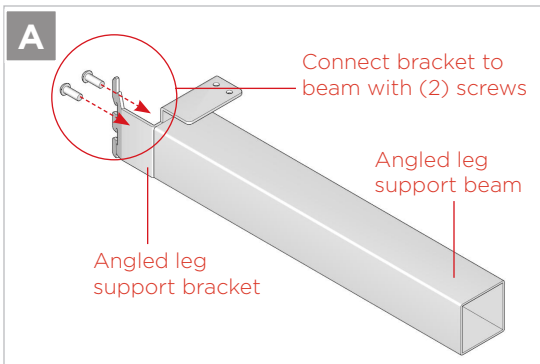
INSET LEG INSTALLATION



INSTALLATION OF INSET LEGS TO AN INTERRA PANEL

Installation of Inset legs to an Interra (65) panel with worksurface.

1. Attach angled leg support bracket onto the angled leg support beam with (2) M6*1.0x20mm hex button socket cap screws provided. IMAGE A
2. Attach inset leg to the leg support beam with (2) M6*1.0x20mm hex button socket cap screws provided. IMAGE B
3. Install leg support beams with inset legs onto the panel at specified height. IMAGE C
4. Install worksurface onto the legs. Secure with the (8) M6*1.0x25mm hex button socket cap screws provided. IMAGE D



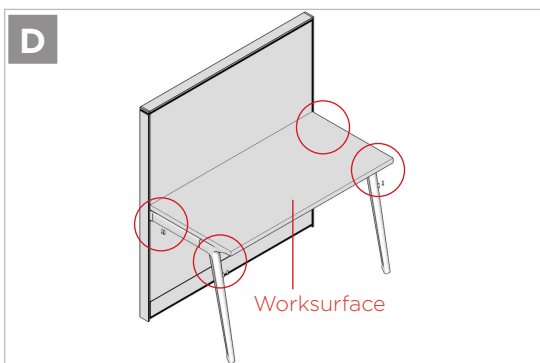
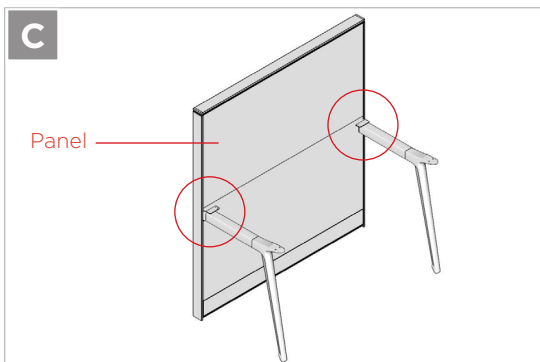
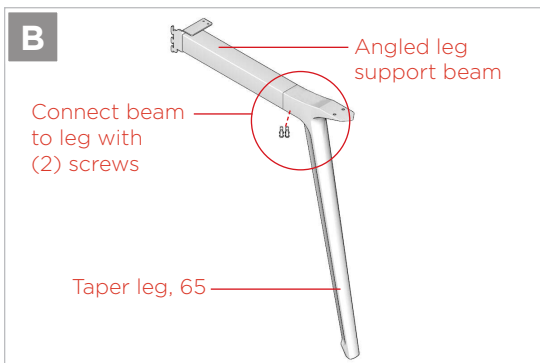
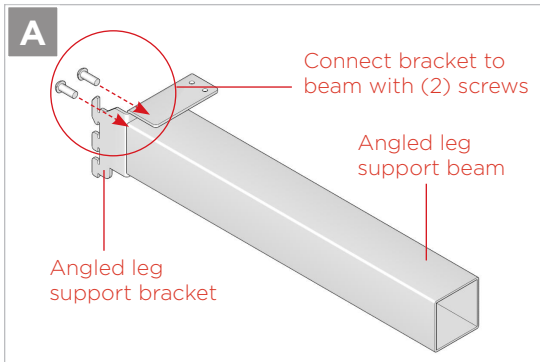
INSTALLATION OF TAPER LEGS TO A NOVO PANEL

Installation of Taper legs to a Novo (45) panel with worksurface.

1. Attach angled leg support bracket onto the angled leg support beam with (2) M6*1.0x20mm hex button socket cap screws provided. IMAGE A
2. Attach taper leg to the leg support beam with (2) M6*1.0x20mm hex button socket cap screws provided. IMAGE B
3. Install leg support beams with taper legs onto the panel at specified height. IMAGE C
4. Install worksurface onto the legs. Secure with the (8) M6*1.0x25mm hex button socket cap screws provided. IMAGE D

PANELS

TAPER LEG INSTALLATION



INSTALLATION OF TAPER LEGS TO AN INTERRA PANEL

Installation of Taper legs to an Interra (65) panel with worksurface.

1. Attach angled leg support bracket onto the angled leg support beam with (2) M6*1.0x20mm hex button socket cap screws provided. IMAGE A
2. Attach taper leg to the leg support beam with with (2) M6*1.0x20mm hex button socket cap screws provided. IMAGE B
3. Install leg support beams with taper legs onto the panel at specified height. IMAGE C
4. Install worksurface onto the legs. Secure with the (8) M6*1.0x25mm hex button socket cap screws provided. IMAGE D



ALL
WORKSTYLES
WELCOME

1980 West Avenue, 140th, San Leandro CA 94577
TEL: 510.535.5113 FAX: 510.535.5237
<http://www.friant.com>

08.17.18