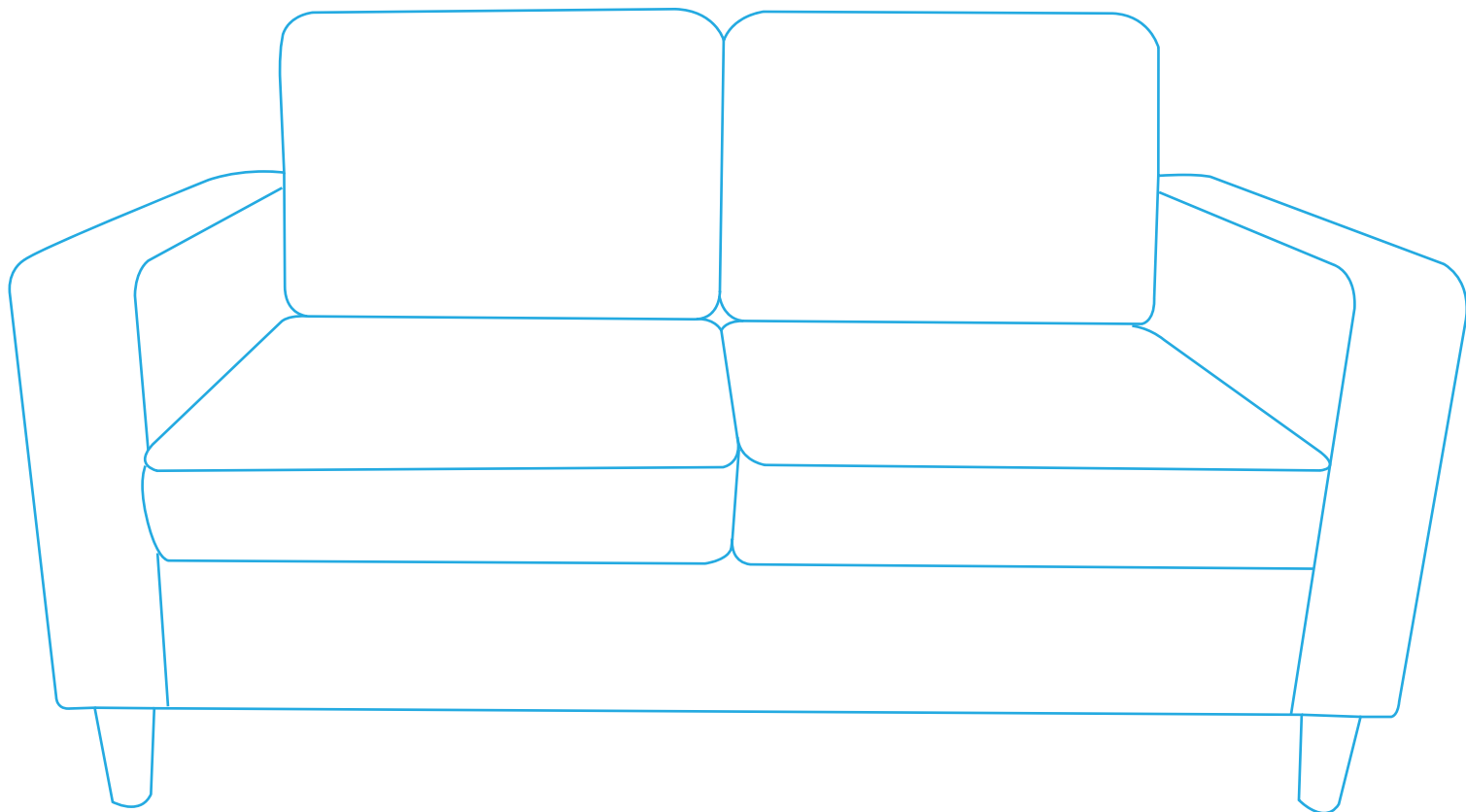
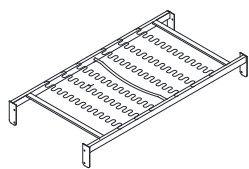


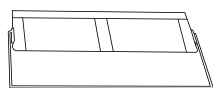
# INSTALLATION GUIDE



## ACCESSORIES



A | 1PC



B | 1PC



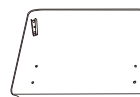
C | 1PC



D | 2PCS



E | 2PCS



F | 1PC



G | 1PC



H | 4PCS



I | 1PC



J | 8PCS



K | 4PCS



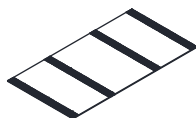
L | 4PCS



M | 4PCS

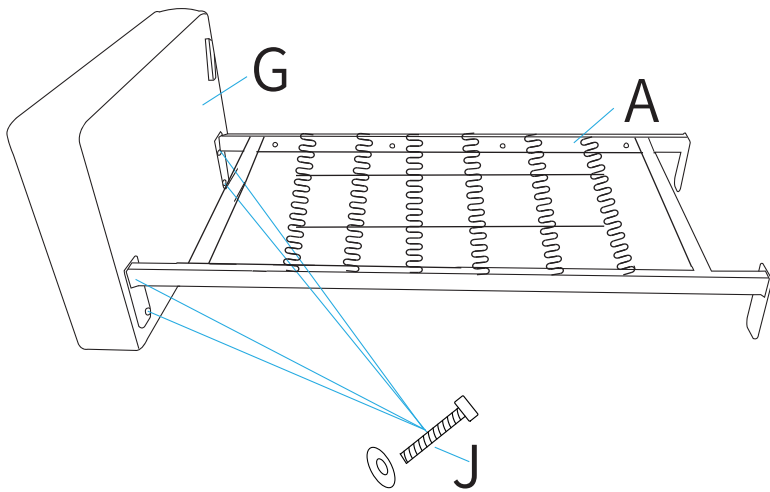


N | 8PCS

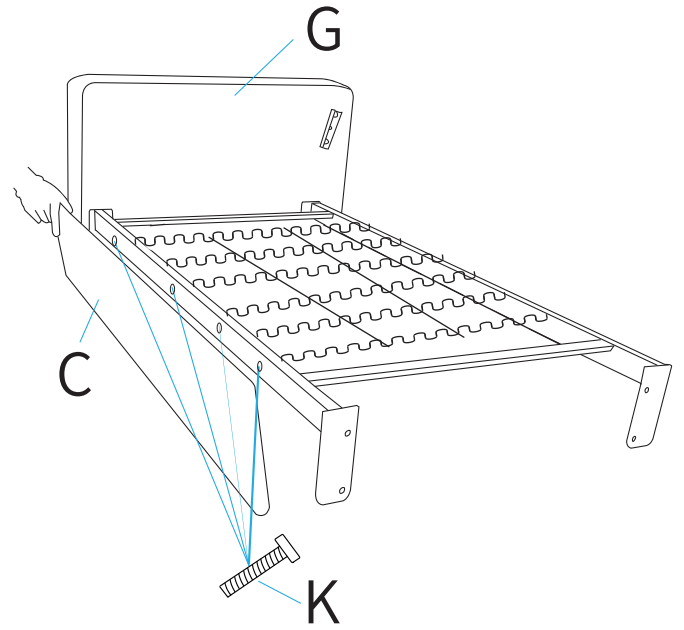


O | 1PCS

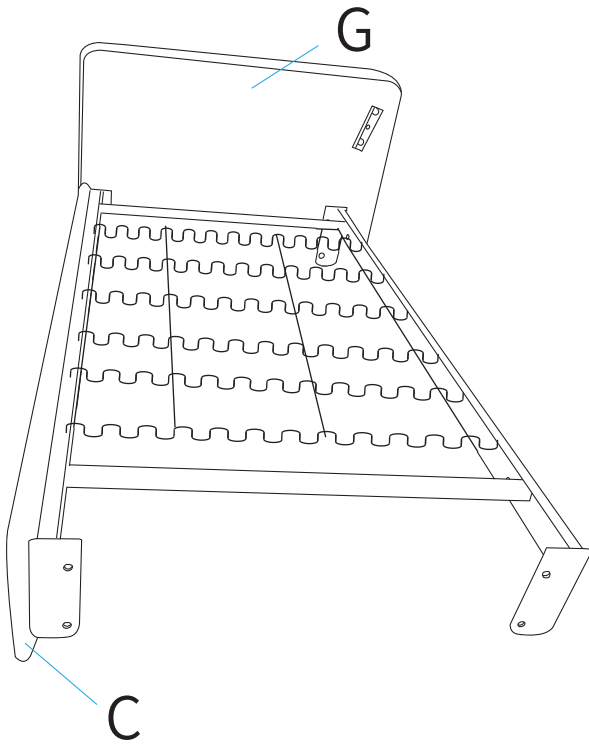
1



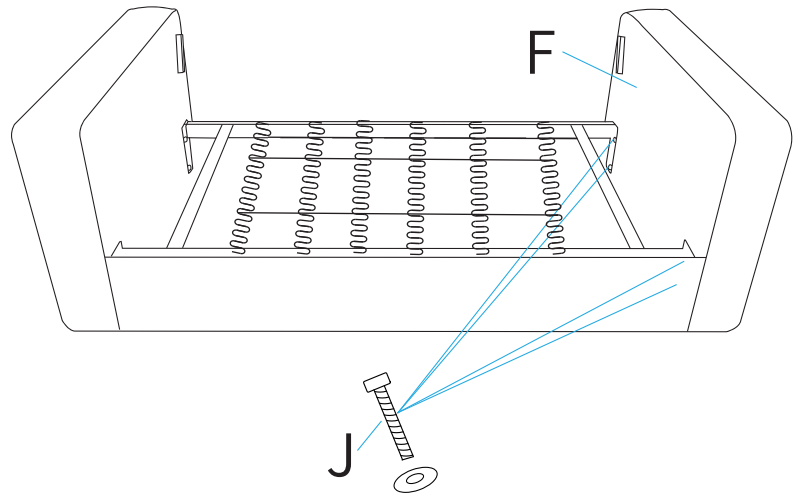
2



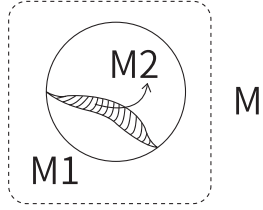
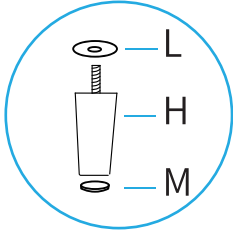
3



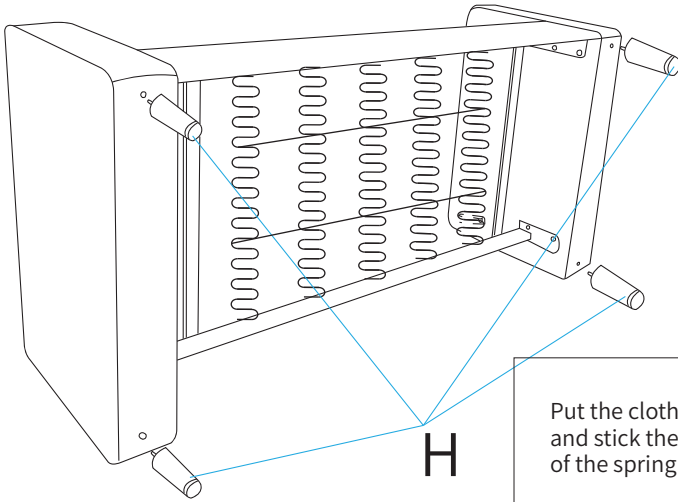
4



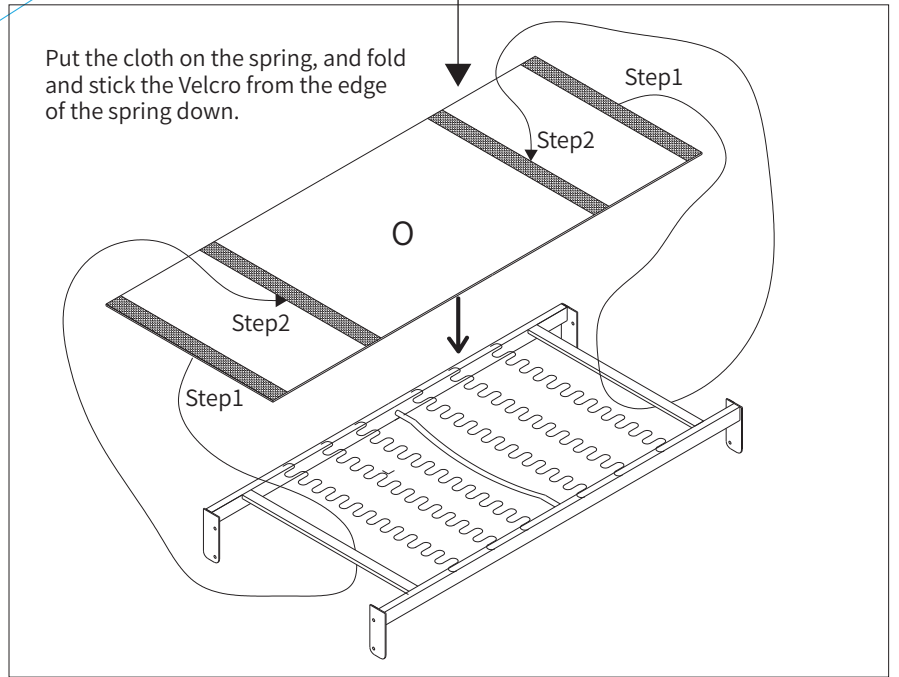
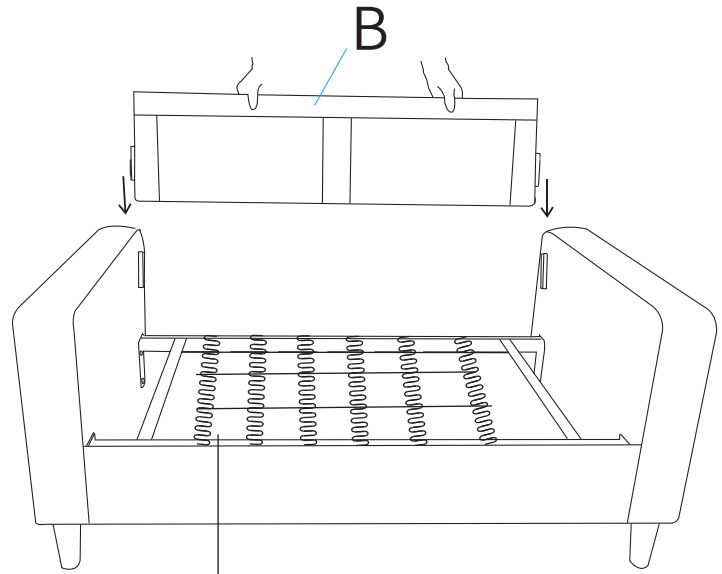
5



stick M1 on the H

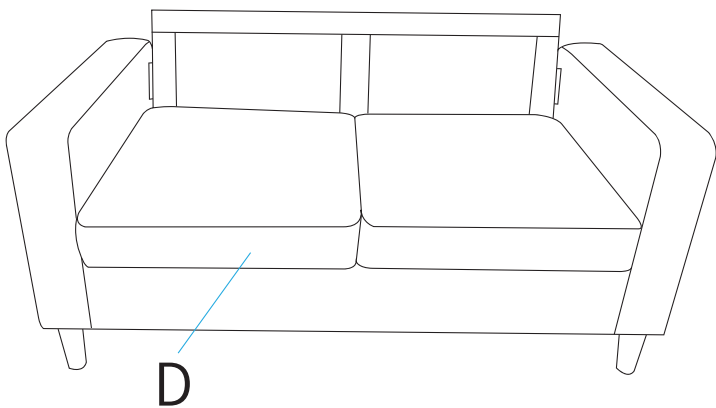


6



Put the cloth on the spring, and fold and stick the Velcro from the edge of the spring down.

7



8

