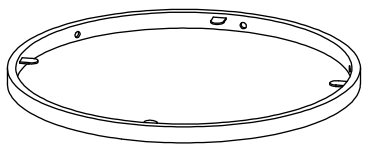
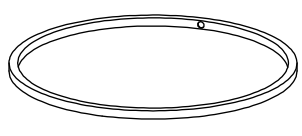
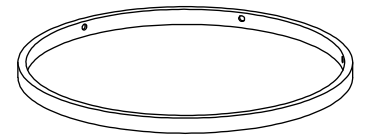
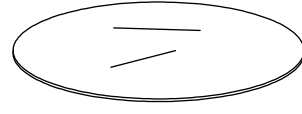
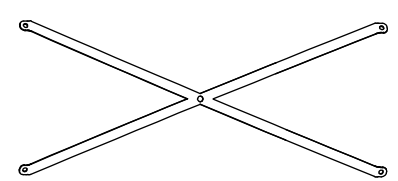
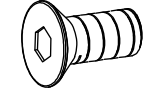
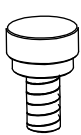
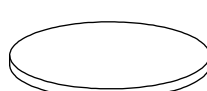
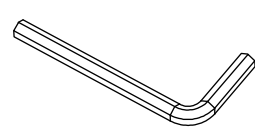
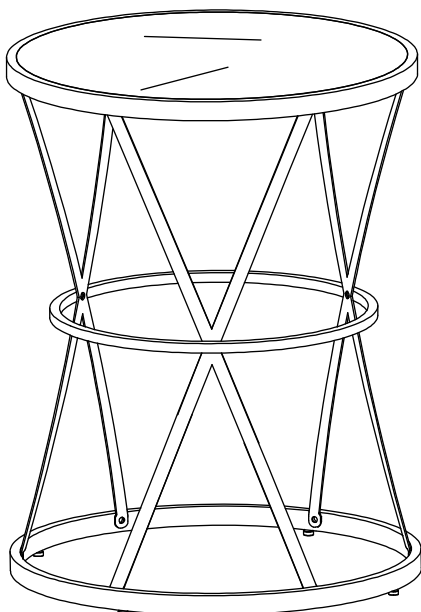


ASSEMBLY INSTRUCTION

MIRROR ROUND END TABLE

A Top Frame  1pc	B Middle Frame  1pc	C Bottom Frame  1pc
D Mirror Top  1pc	E Side Panel  3pcs	F Screw 1/4"x 3/8"  15pcs
G Leveler  4pcs	H Glass Pad  4pcs	I Allen Wrench  1pc

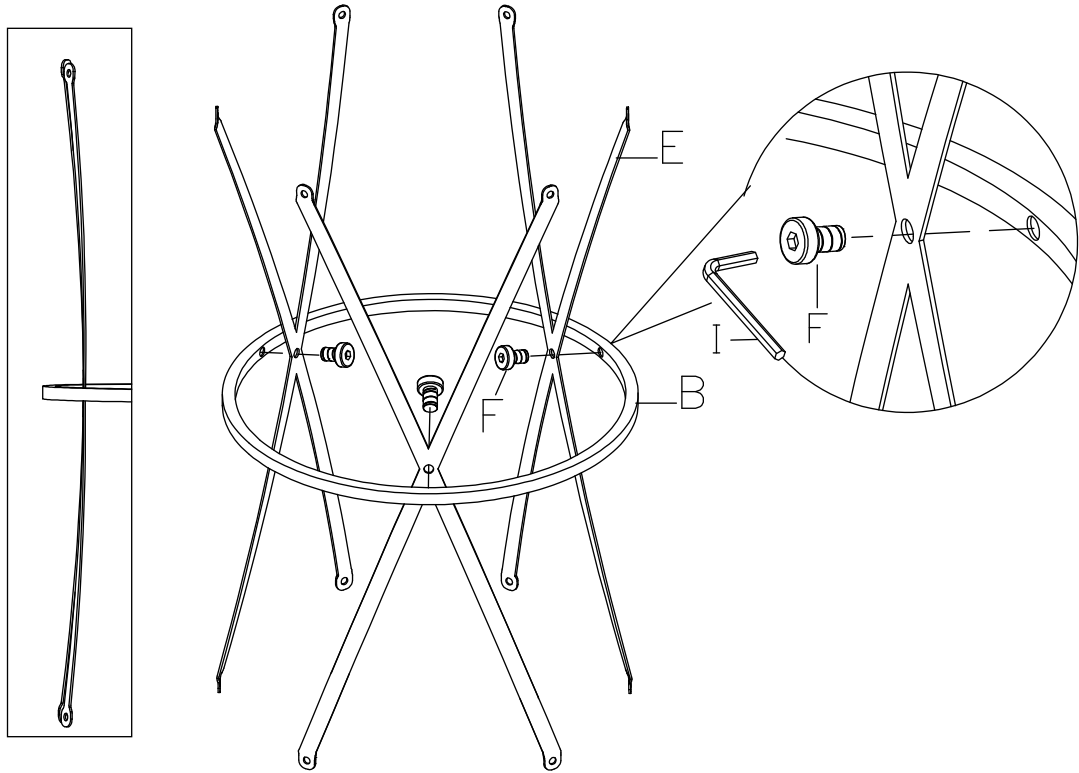


This page lists all the contents included in the box. Please take the time to identify the hardware as well as the individual components to this product. As you unpack and prepare for assembly, place the contents on a carpeted or padded area to protect them from damage.

***** Do not tighten screws & bolts until the entire unit is completely assembled.**

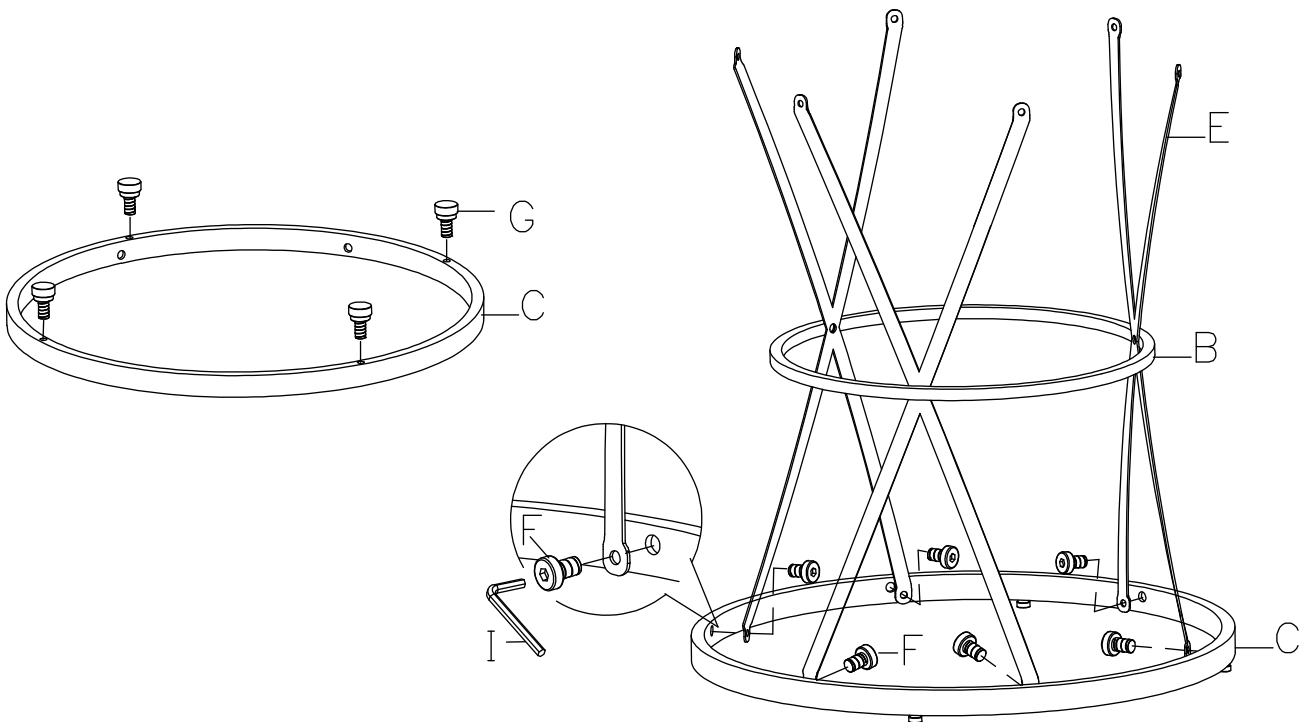
1

Attach side panel (E) to middle frame (B) using screws (F) and allen wrench (I) as shown.
Important Notice : Please make sure the concave side of side panel (E) facing outward while attaching to middle frame (B) as shown.



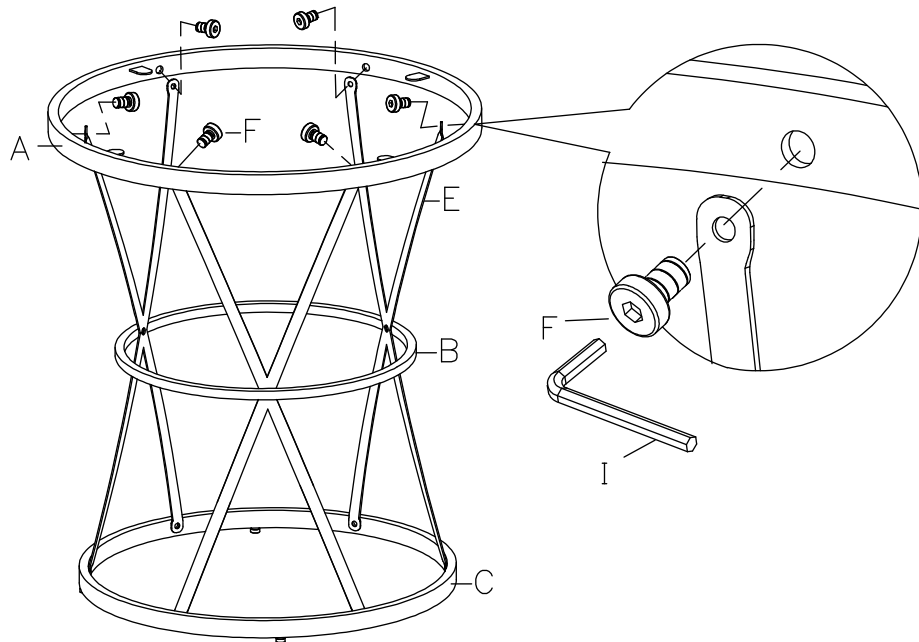
2

Attach leveler (G) to bottom frame (C), then attach bottom frame (C) to side panel (E) using screw (F) and allen wrench (I) as shown.

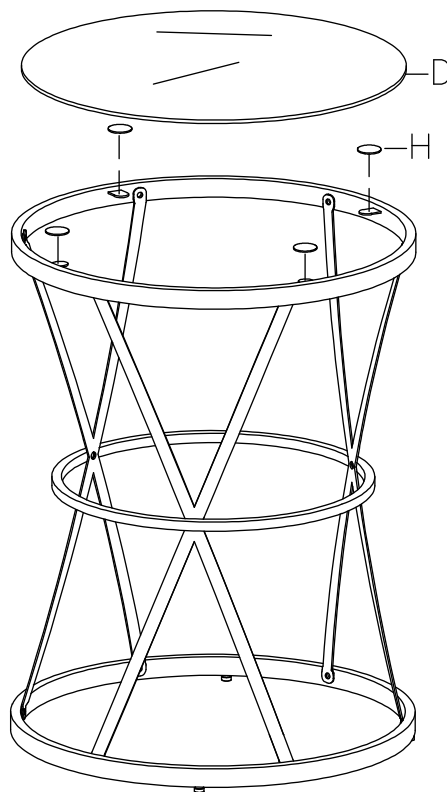


3

Attach top frame (A) to side panel (E) using screw (F) and allen wrench (I) then tighten all screws firmly.

**4**

Put glass pad (H) onto the assembled metal base before putting on mirror top (D) as shown. The end table assembly is now complete.



Cleaning & Care

Treat surface with care. Surface is resistant to scratches but is not scratch resistant. Clean surfaces with a dry or damp soft cloth. Do not use abrasive cleaners. Hardware may loosen over time. Periodically check that all connections are tight.