

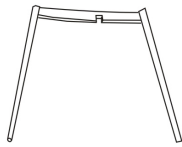
Chair

Assembly Instructions
Instrucciones De Asamblea
Instructions d'Assemblée

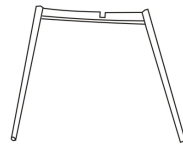
PARTS



A



B



C



x1
(M6x30)

D



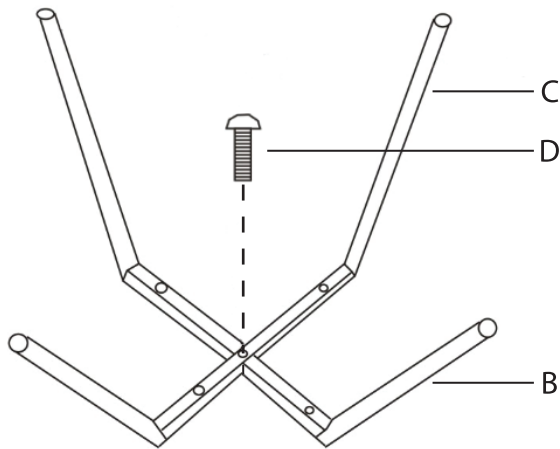
x4
(M6x45)

E

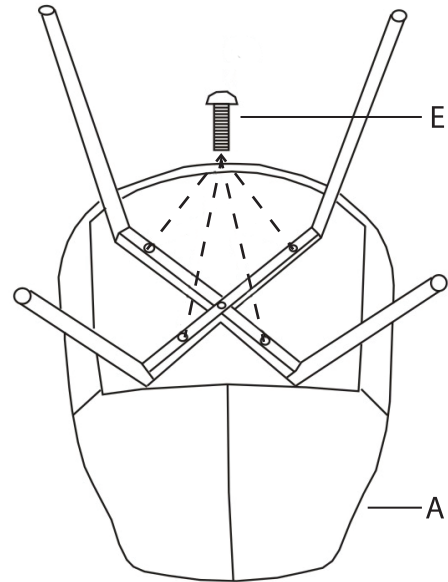


F

1



2



3



Do not over tighten.
Do not use power tools to assemble.