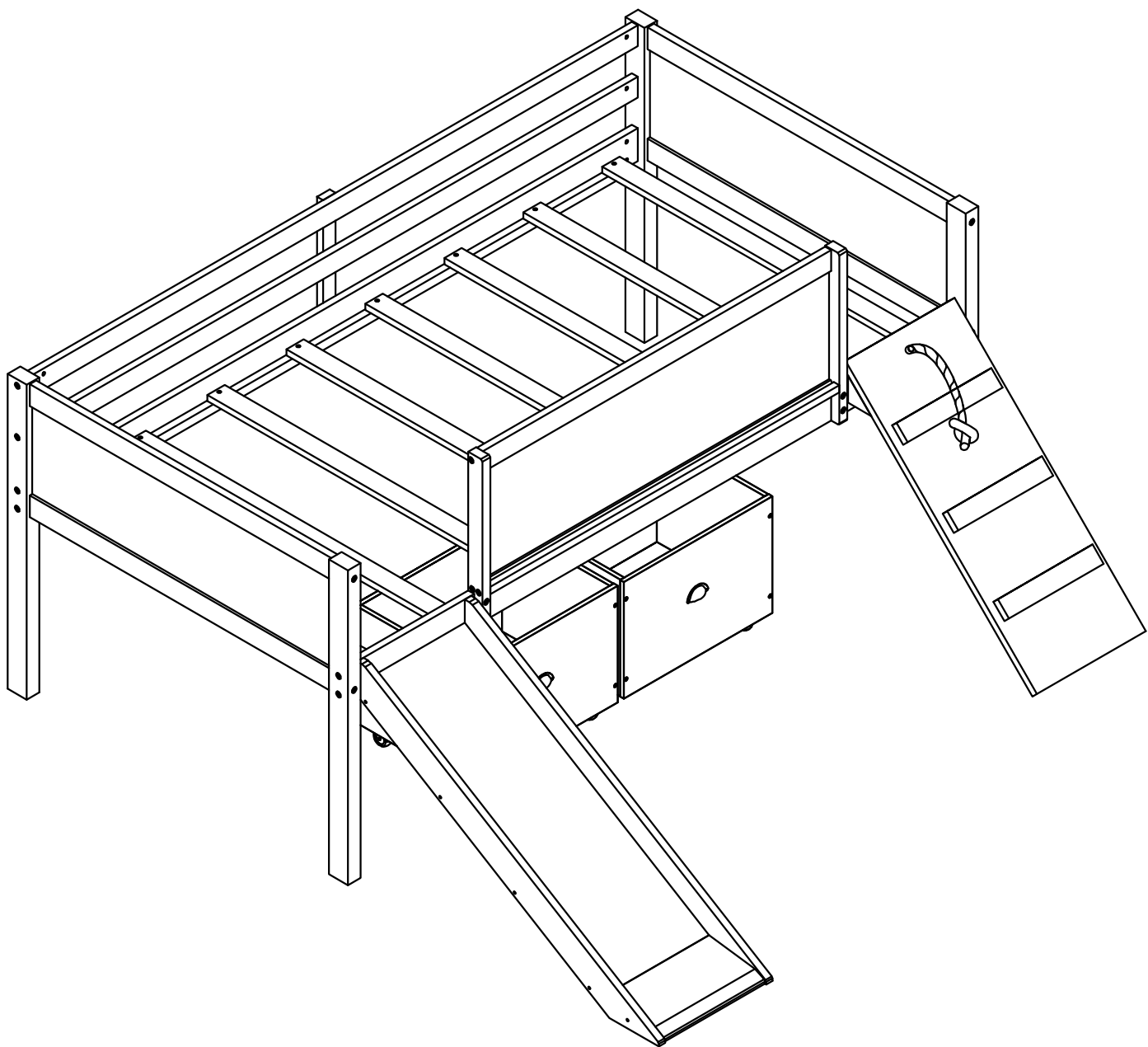
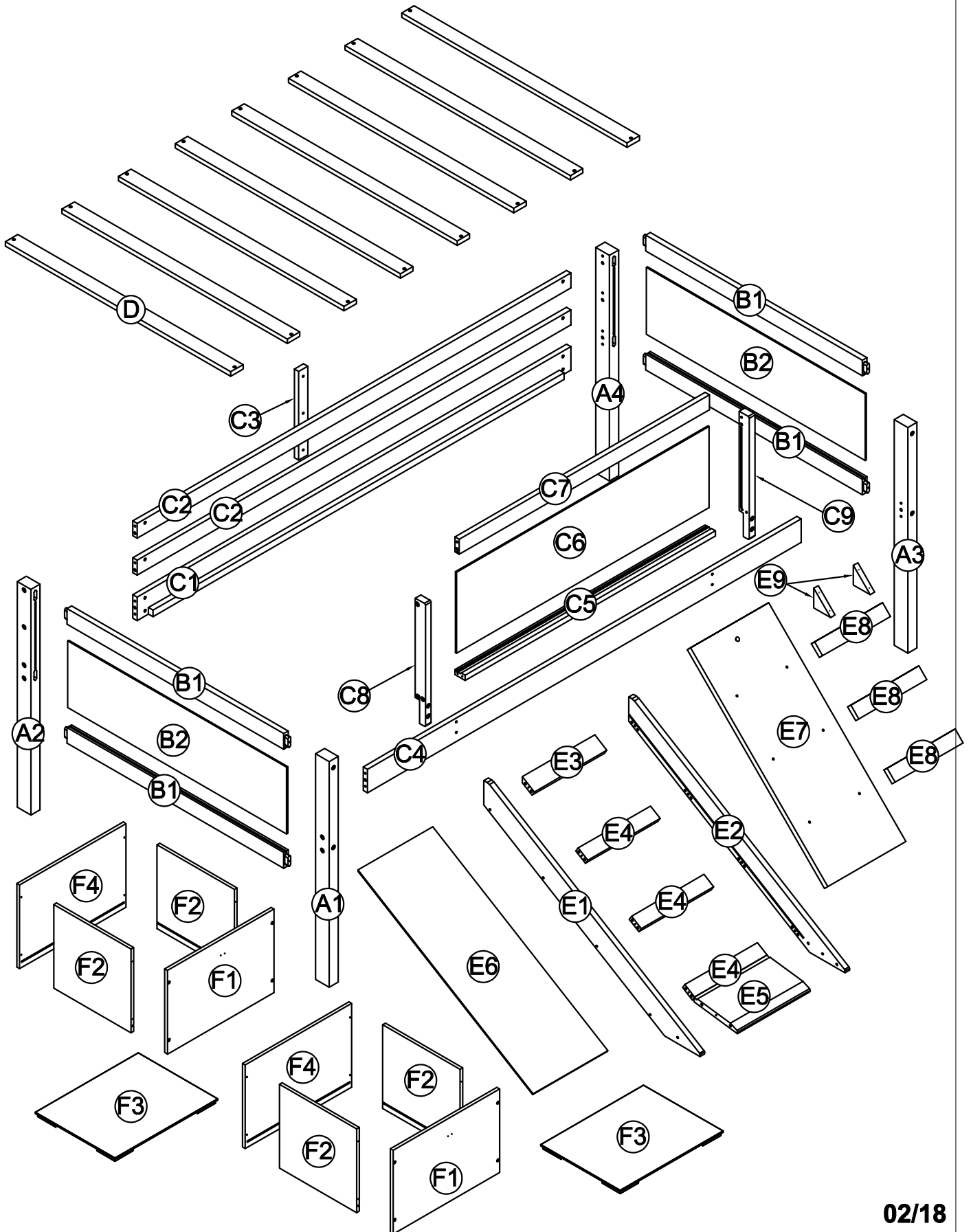







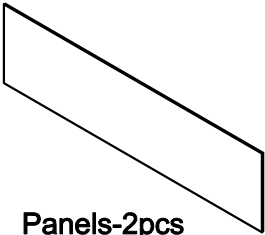
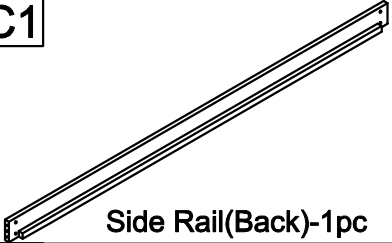
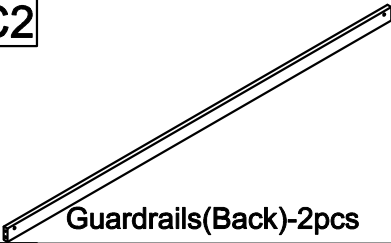

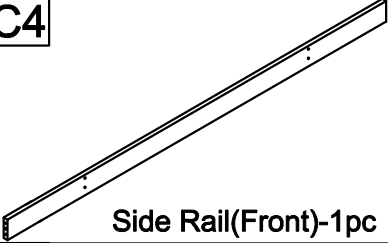
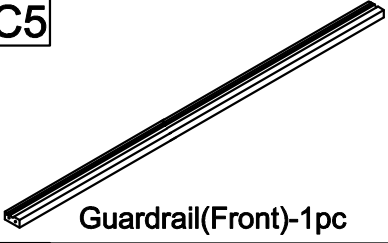
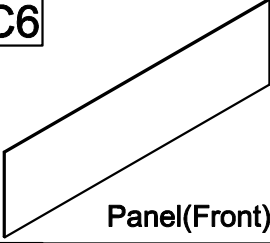
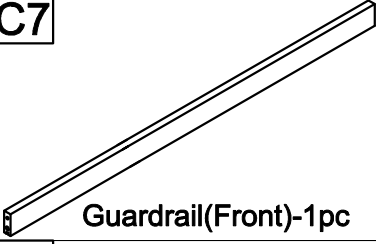


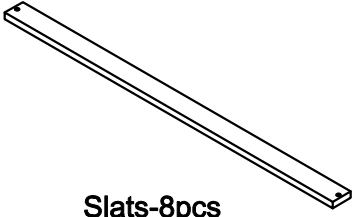
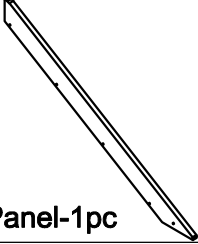
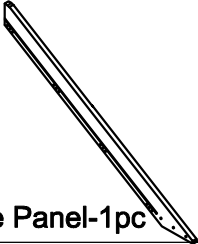
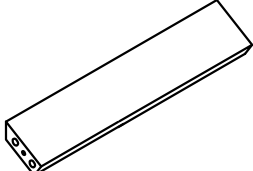
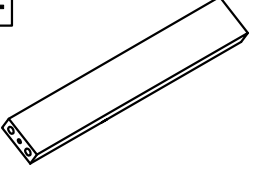
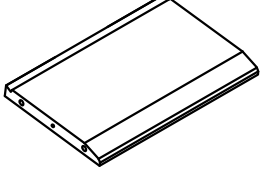
# ASSEMBLY INSTRUCTION



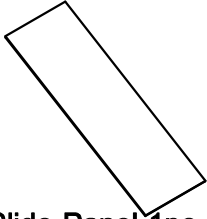
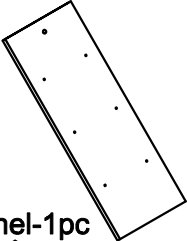
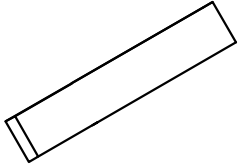
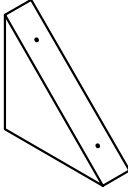
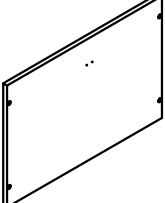
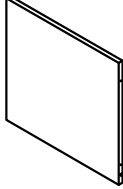
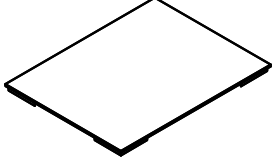
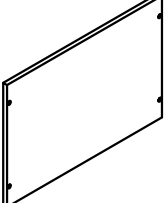
# ASSEMBLY INSTRUCTION






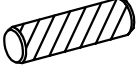
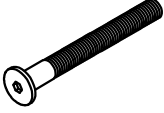




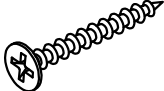
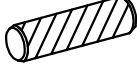
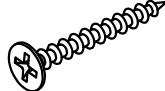


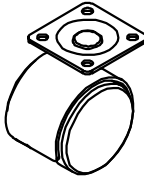
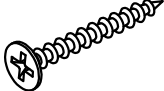

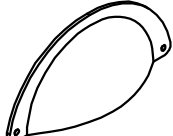
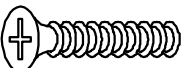

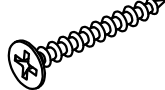
# Part List & Hardware List

<p><b>A1</b></p>  <p>Leg-1pc</p>	<p><b>A2</b></p>  <p>Leg-1pc</p>	<p><b>A3</b></p>  <p>Leg-1pc</p>
<p><b>A4</b></p>  <p>Leg-1pc</p>	<p><b>B1</b></p>  <p>Wood bars-4pcs</p>	<p><b>B2</b></p>  <p>Panels-2pcs</p>
<p><b>C1</b></p>  <p>Side Rail(Back)-1pc</p>	<p><b>C2</b></p>  <p>Guardrails(Back)-2pcs</p>	<p><b>C3</b></p>  <p>Rail(Back)-1pc</p>
<p><b>C4</b></p>  <p>Side Rail(Front)-1pc</p>	<p><b>C5</b></p>  <p>Guardrail(Front)-1pc</p>	<p><b>C6</b></p>  <p>Panel(Front)-1pc</p>
<p><b>C7</b></p>  <p>Guardrail(Front)-1pc</p>	<p><b>C8</b></p>  <p>Rail(Front)-1pc</p>	<p><b>C9</b></p>  <p>Rail(Front)-1pc</p>
<p><b>D</b></p>  <p>Slats-8pcs</p>	<p><b>E1</b></p>  <p>Slide-Side Panel-1pc</p>	<p><b>E2</b></p>  <p>Slide-Side Panel-1pc</p>
<p><b>E3</b></p>  <p>Slide-Bottom Rail-1pc</p>	<p><b>E4</b></p>  <p>Slide-Bottom Rails-3pcs</p>	<p><b>E5</b></p>  <p>Slide-Bottom Rail-1pc</p>

# Part List & Hardware List

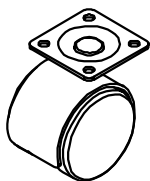
<b>E6</b>  Slide-Panel-1pc	<b>E7</b>  Slide-Panel-1pc	<b>E8</b>  Slide-Rails-3pcs
<b>E9</b>  Slide-Clients-2pcs	<b>F1</b>  Drawer-Panels-2pcs	<b>F2</b>  Drawer-Panels-4pcs
<b>F3</b>  Drawer-Bottom Panels-2pcs	<b>F4</b>  Drawer-Panels-2pcs	

# Hardware List

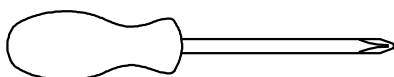
<p><b>1</b></p>  <p>Screws 1/4" x80 8pcs</p>	<p><b>2</b></p>  <p>Screws 1/4" x30 9pcs</p>	<p><b>3</b></p>  <p>Screws 1/4" x50 16pcs</p>
<p><b>4</b></p>  <p>Ø10 x 40 mm Wood dowel 10pcs</p>	<p><b>5</b></p>  <p>Ø1/4" x 70 mm Hex-Head bolts 2pcs</p>	<p><b>6</b></p>  <p>Ø1/4" x 13 mm Horizontal-Hole bolts 14pcs</p>
<p><b>7</b></p>  <p>Ø1/4" x 30 mm Hex-Head bolts 4pcs</p>	<p><b>8</b></p>  <p>Ø1/4" x 15 mm Canopy head though -4pcs</p>	<p><b>9</b></p>  <p>Ø1/4" x 85 mm Hex-Head bolts 12pcs</p>
<p><b>10</b></p>  <p>M4 x 30 mm Wood Screws 32pcs</p>	<p><b>11</b></p>  <p>Ø8 x 30 mm Wood dowel 18pcs</p>	<p><b>12</b></p>  <p>M4 x 20 mm Wood Screws 12pcs</p>
<p><b>13</b></p>  <p>Steel Bracket 4pcs</p>	<p><b>14</b></p>  <p>Rope (1pc)</p>	<p><b>15</b></p>  <p>The wheel has a lock (4pcs)</p>
<p><b>16</b></p>  <p>M4 x15 mm Wood Screws 32pcs</p>	<p><b>17</b></p>  <p>Allen Key 1pc</p>	<p><b>18</b></p>  <p>Handle (2pcs)</p>
<p><b>19</b></p>  <p>M4x10mm Bolt drawer (4pcs)</p>	<p><b>20</b></p>  <p>Ø6*2.5mm Temple des dragons (4pcs)</p>	<p><b>21</b></p>  <p>M4 x 25 mm Wood Screws 4pcs</p>

# Hardware List

22




The wheel is not locked (4pcs)

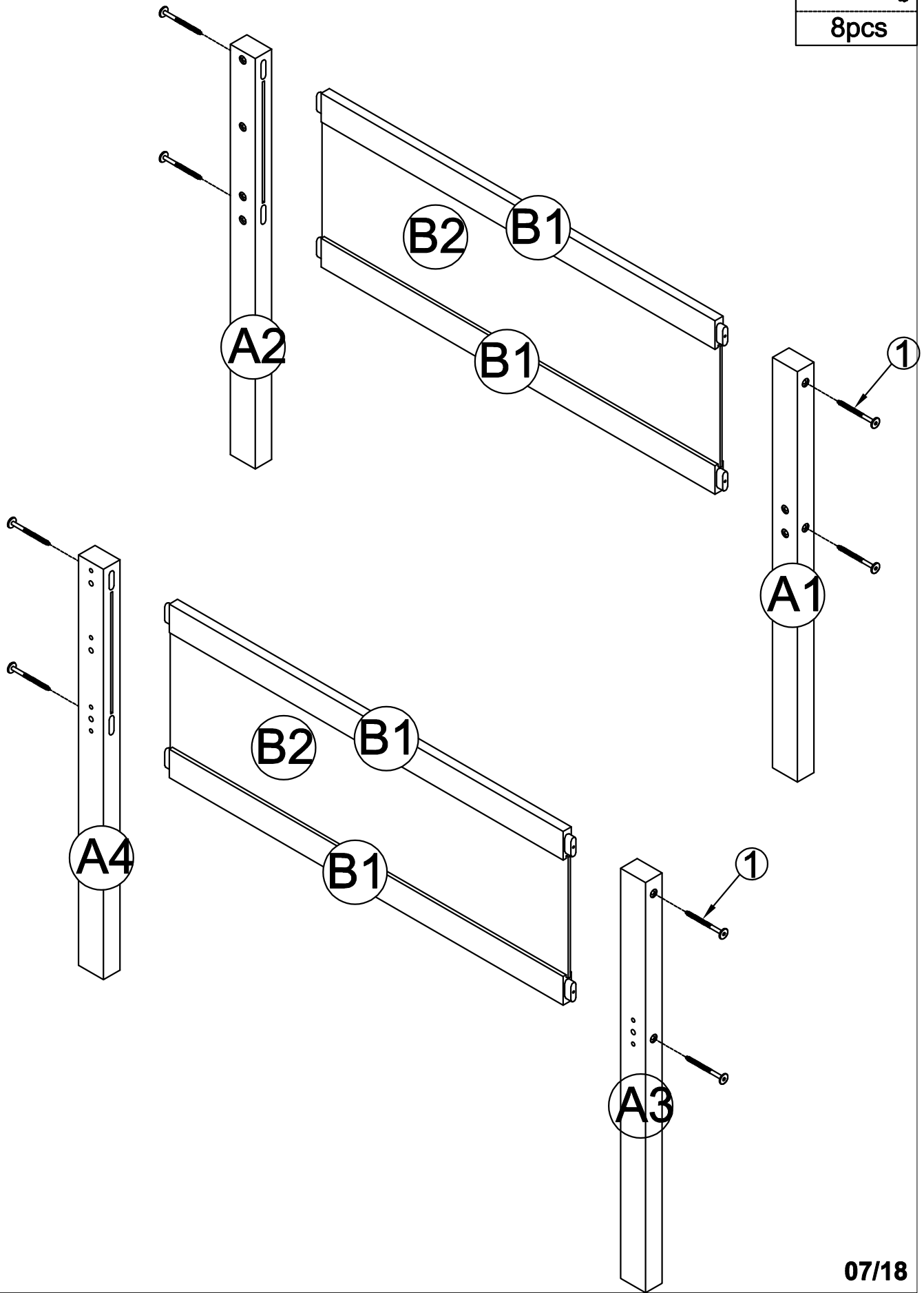


**Assembly Tools Required (Not Included)**

# STEP 1: Following below illustration..

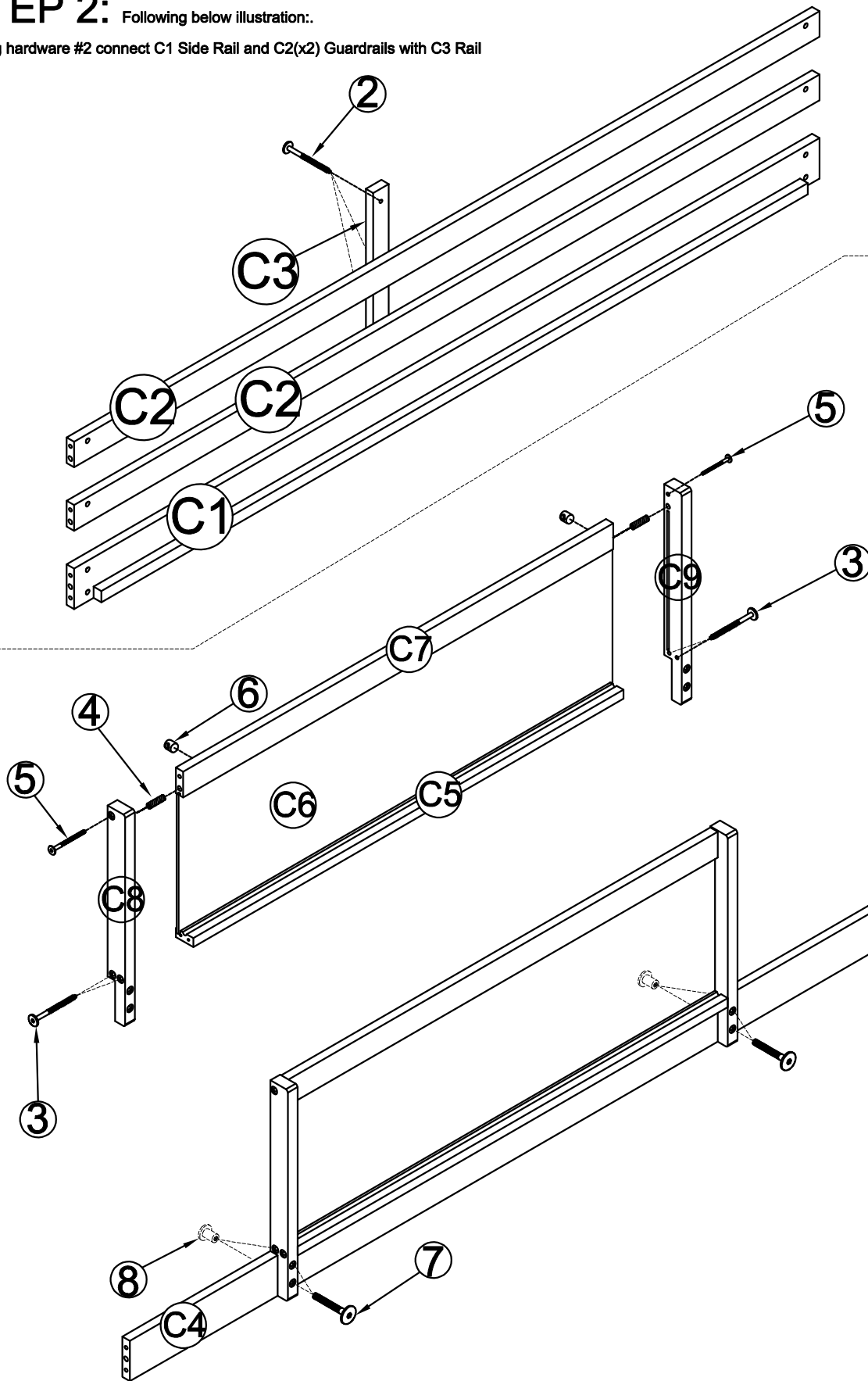
- Using hardware #1 connect A1,A2 Legs with B1(x2) Wood Bars and B2 Panel
- Using hardware #1 connect A3,A4 Legs with B1(x2) Wood Bars and B2 Panel

1

8pcs



## STEP 2: Following below illustration:.

-Using hardware #2 connect C1 Side Rail and C2(x2) Guardrails with C3 Rail



2



3pcs

3



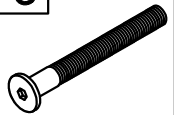
4pcs

4



2pcs

5



2pcs

6



2pcs

7



4pcs

8



4pcs


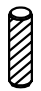
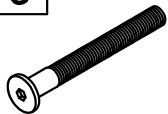
## STEP 3: Following below illustration:.

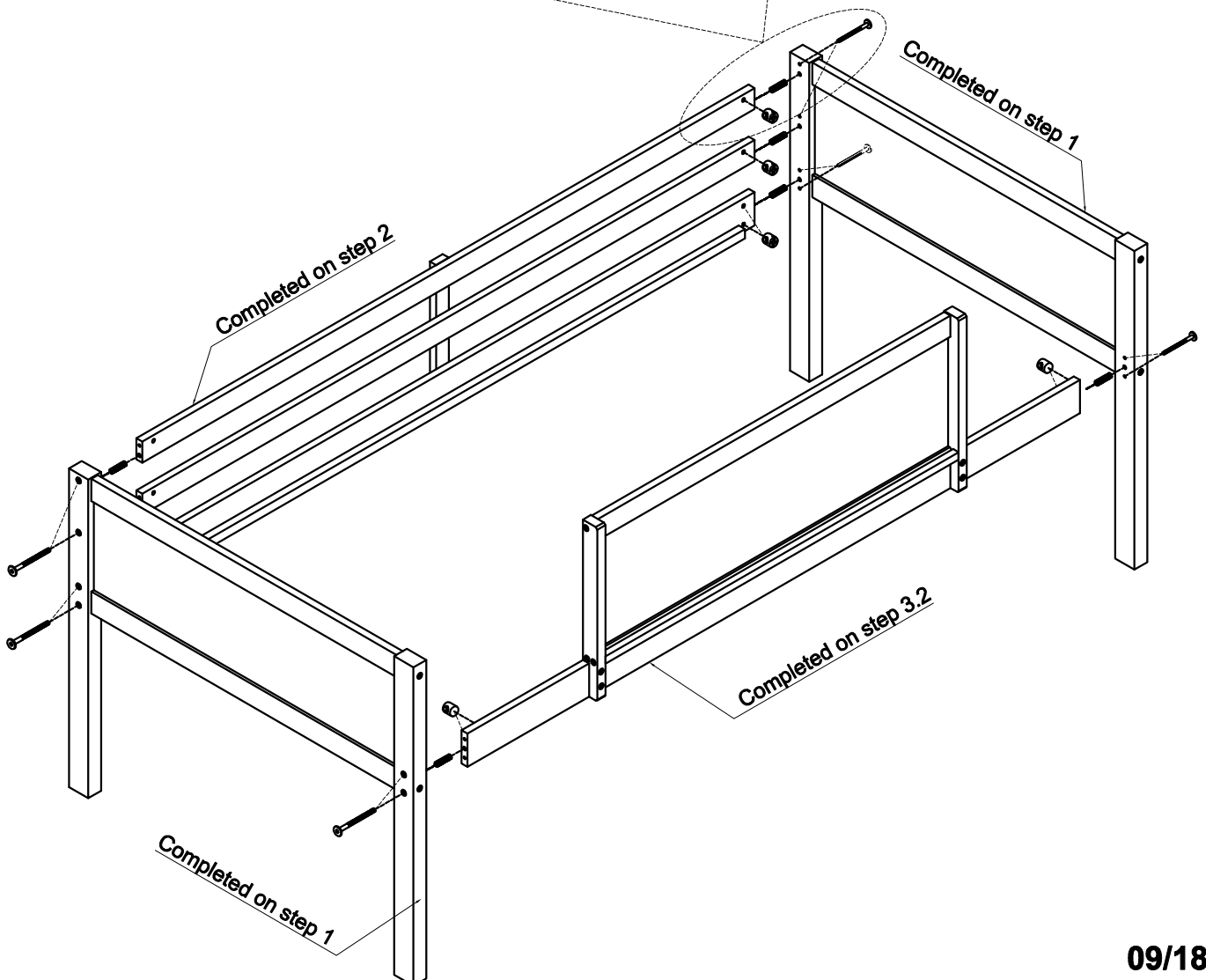
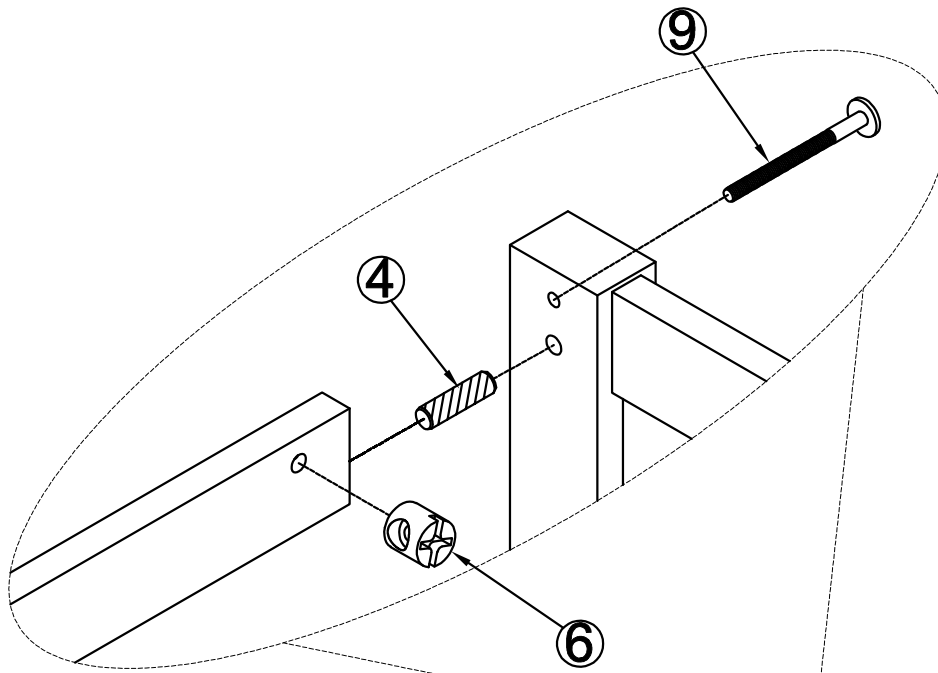
3.1: Using hardware #3, #5, #6 and Dowel 4 connect C5, C7 Guardrails and C6 Panel with C8, C9 Rails

3.2: Using hardware #7, #8 4 Frame (completed on step 3.1) with C5 Side Rail

# STEP 4: Following below illustration:


-Using hardware #6,#9 and Dowel 4 connect Frame(completed on step 1) with Frame(completed on step 2,step3.2)

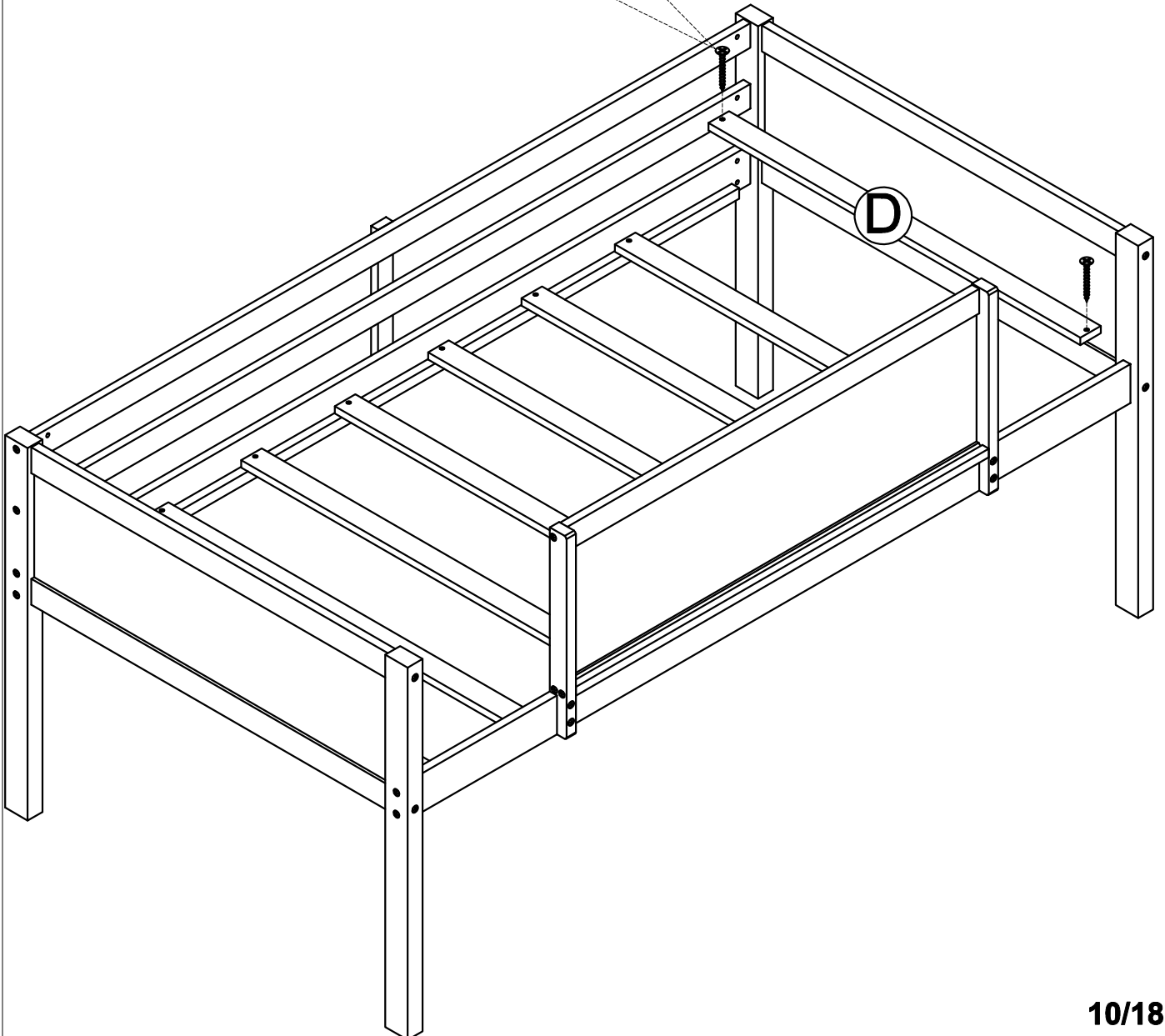
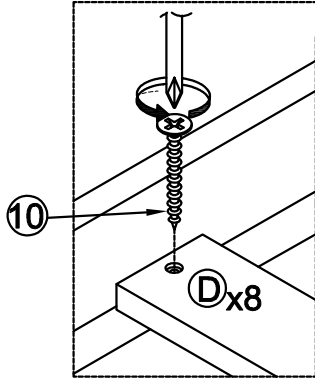
6		4	
12pcs		8pcs	
		9	
		12pcs	



# STEP 5: Following below illustration:

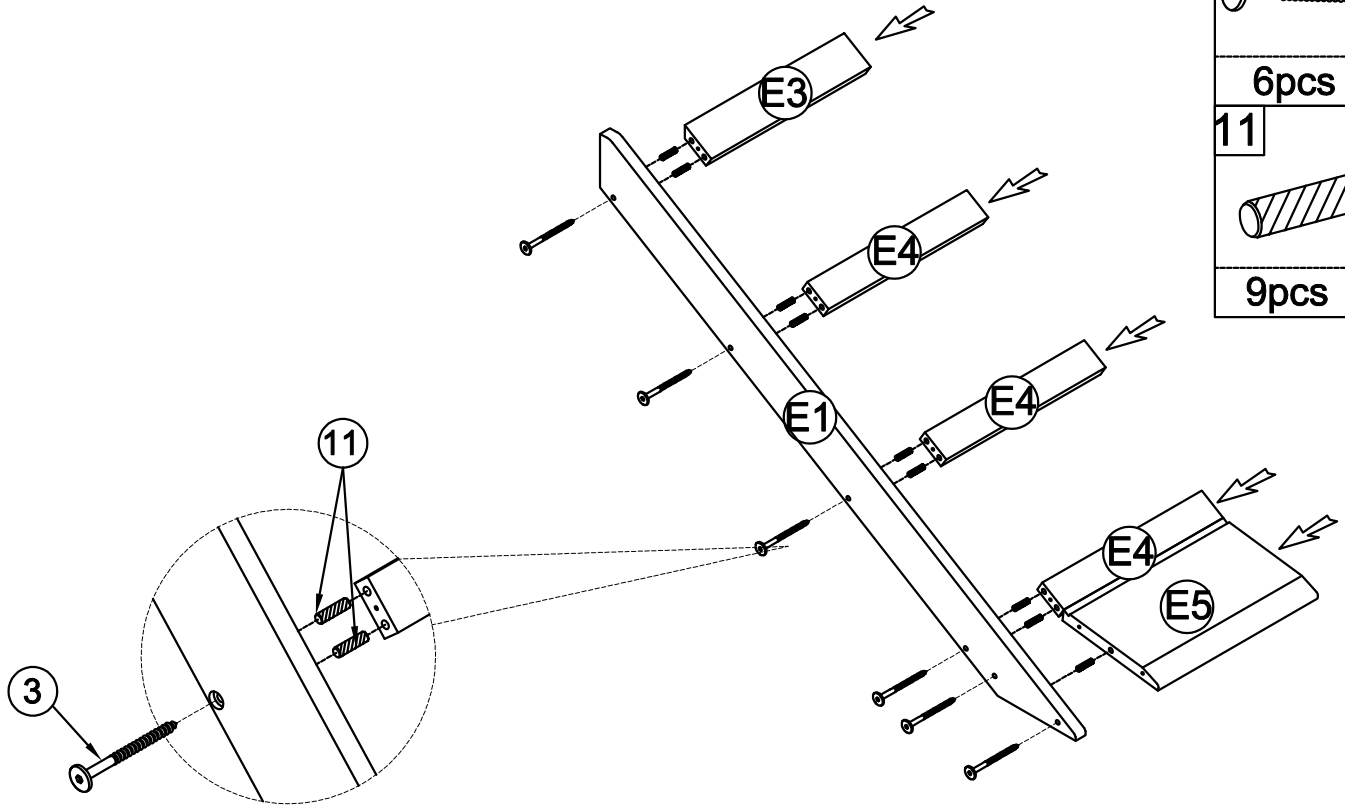
- Assembly 8 slats (D) using hardward #10.
- Look at detail view

10	
16pcs	



# STEP 6-1

:Following below illustration Using hardward #3 and Dowel 11 to Assembly Slide.Look at detail view for more detail

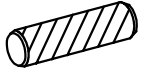


3



6pcs

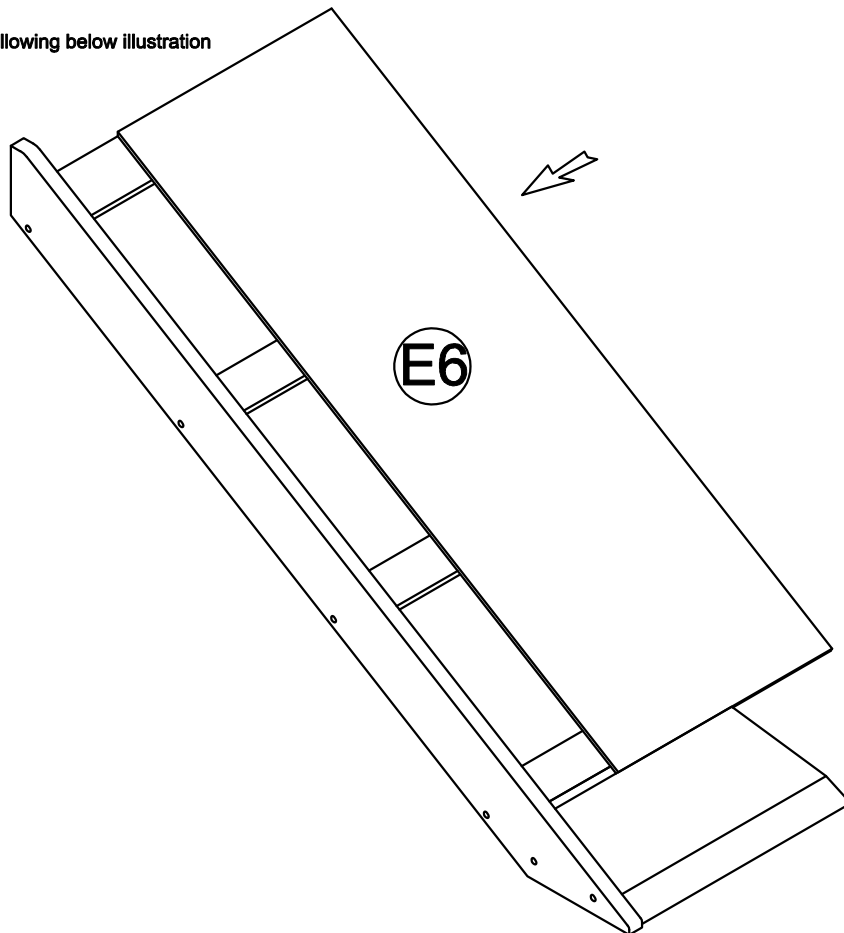
11



9pcs

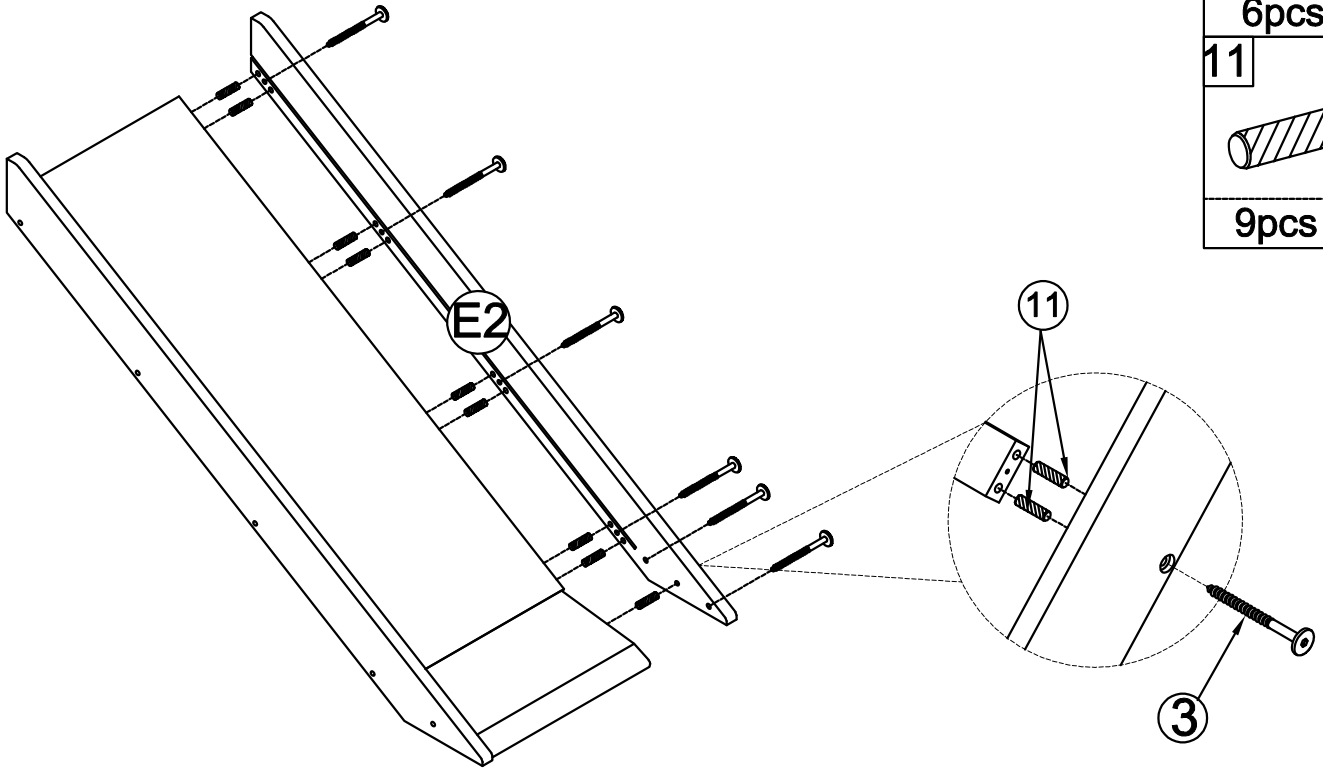
# STEP 6-2

:Following below illustration



# STEP 6-3

:Following below illustration Using hardward #3 and Dowel 11 to Assembly Slide.Look at detail view for more detail

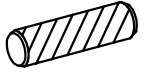


3



6pcs

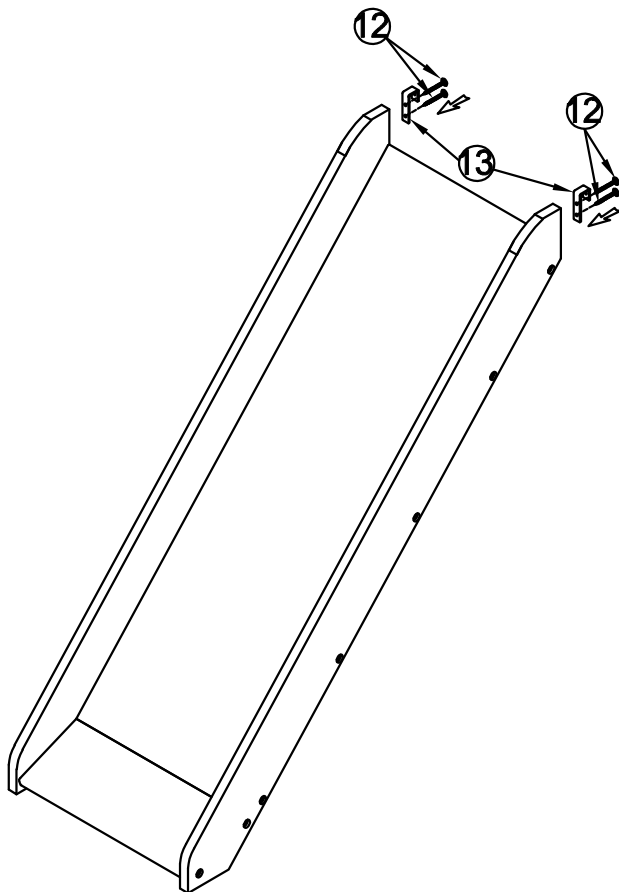
11



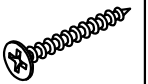
9pcs

# STEP 6-4

:Following below illustration Using hardward #12,#13 to Assembly Slide.Look at detail view for more detail



12




4pcs

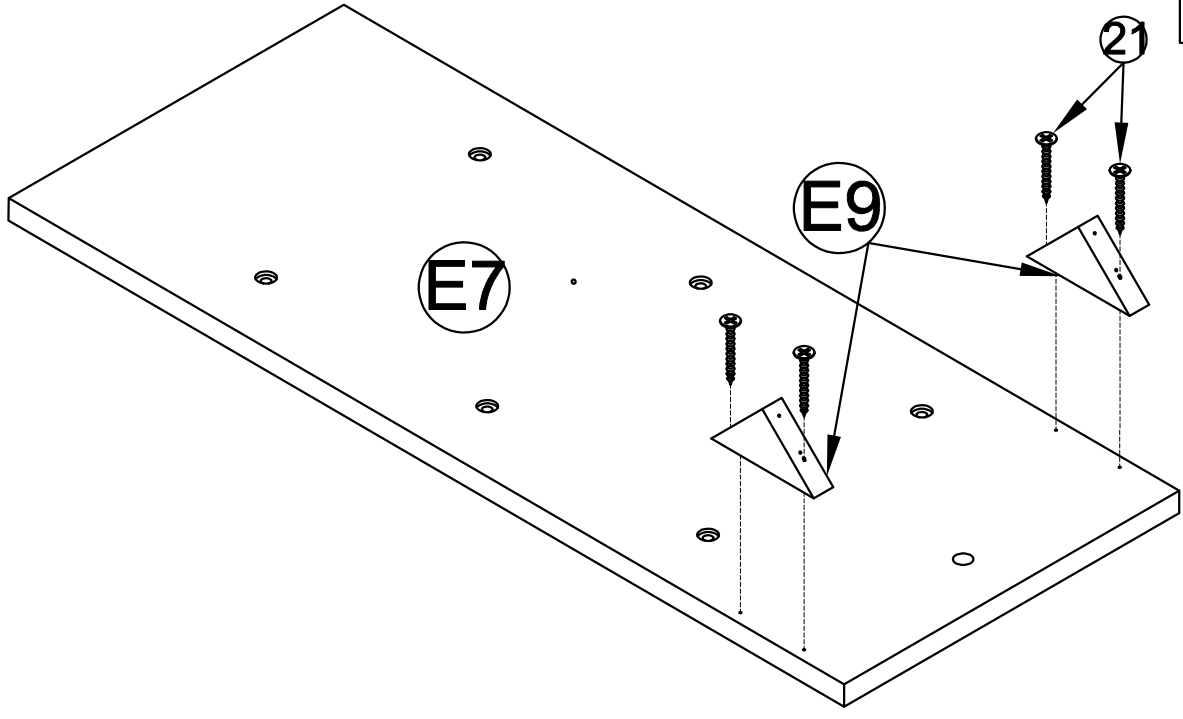
13



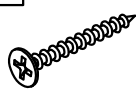

2pcs

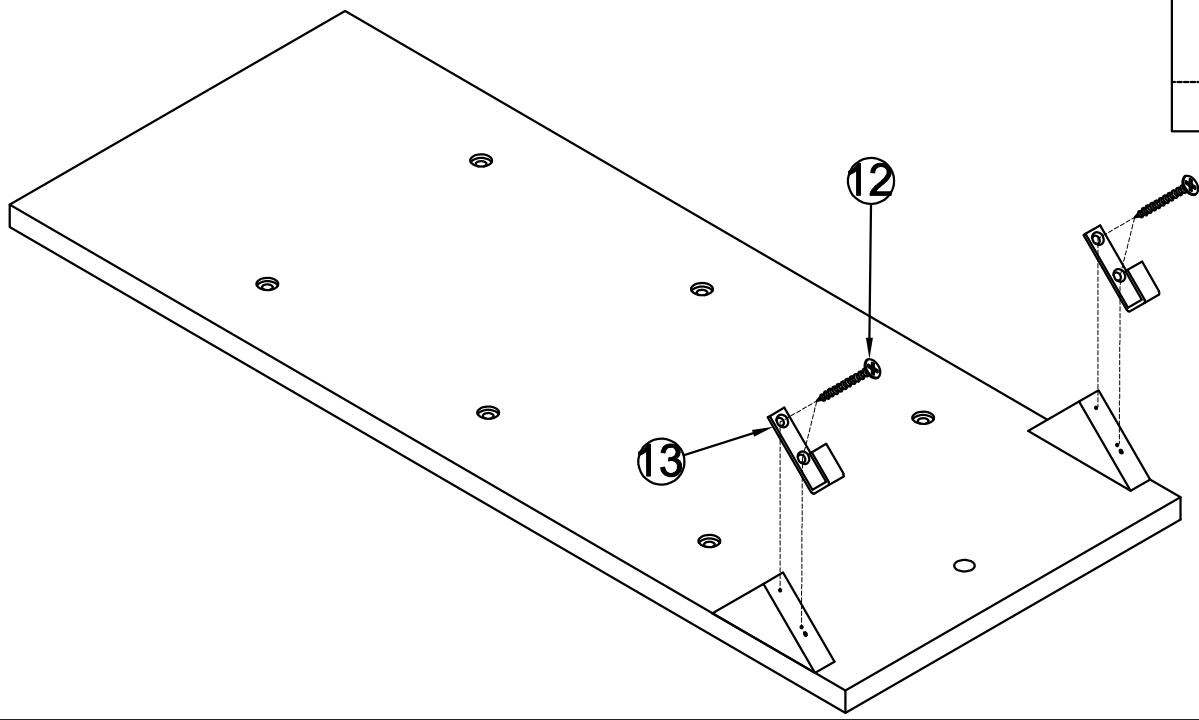
# STEP 7-1:

21	
4pcs	




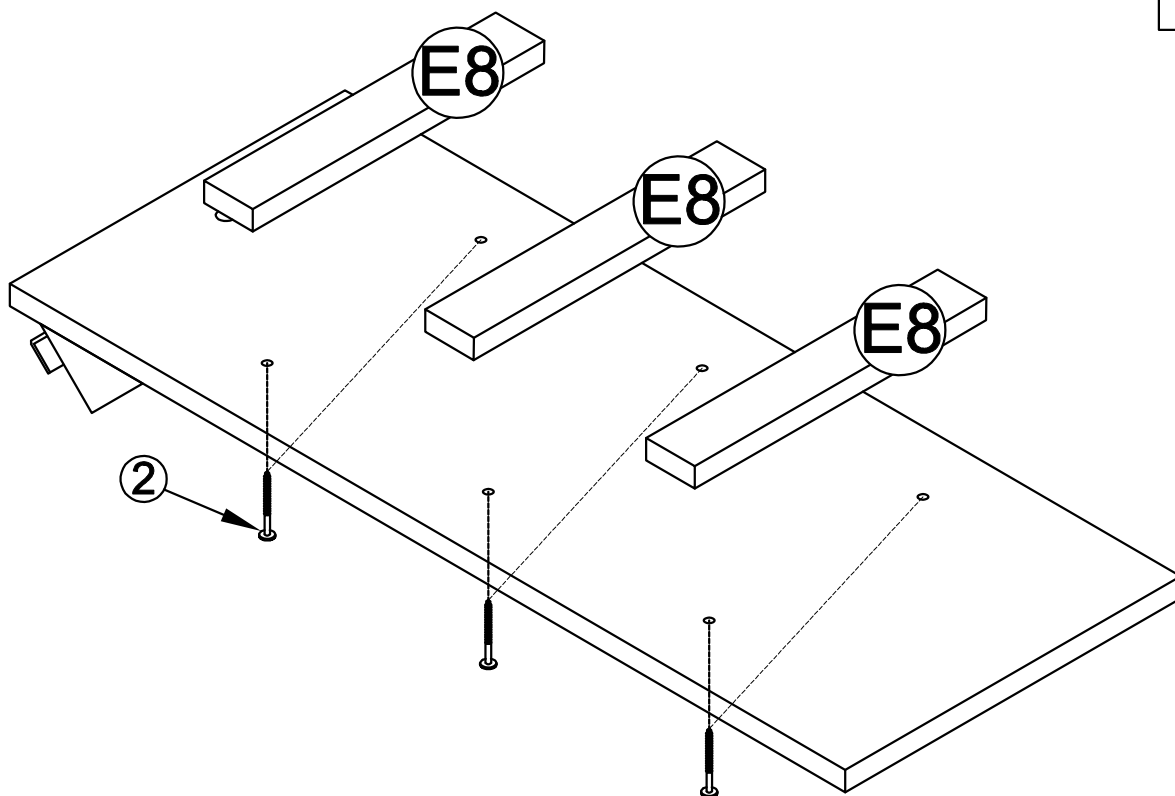
# STEP 7-2

12	
4pcs	
13	
2pcs	




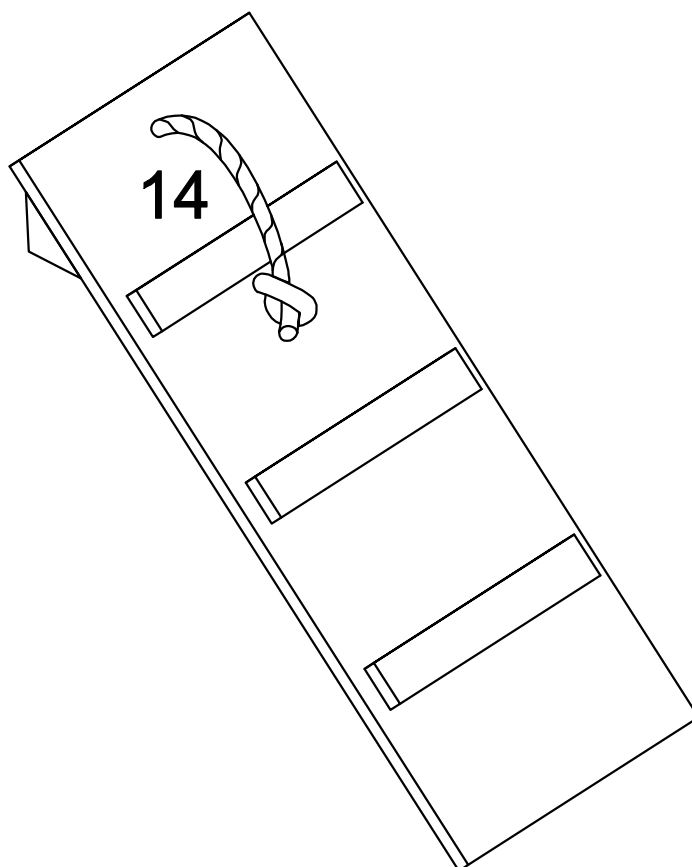
# STEP 7-3:

2

6pcs



# STEP 7-4:

14

1PCS

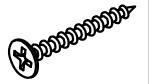


# STEP 8

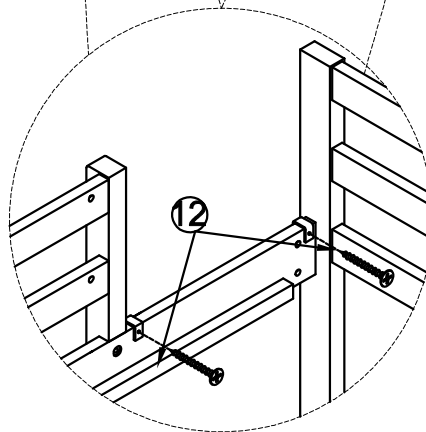
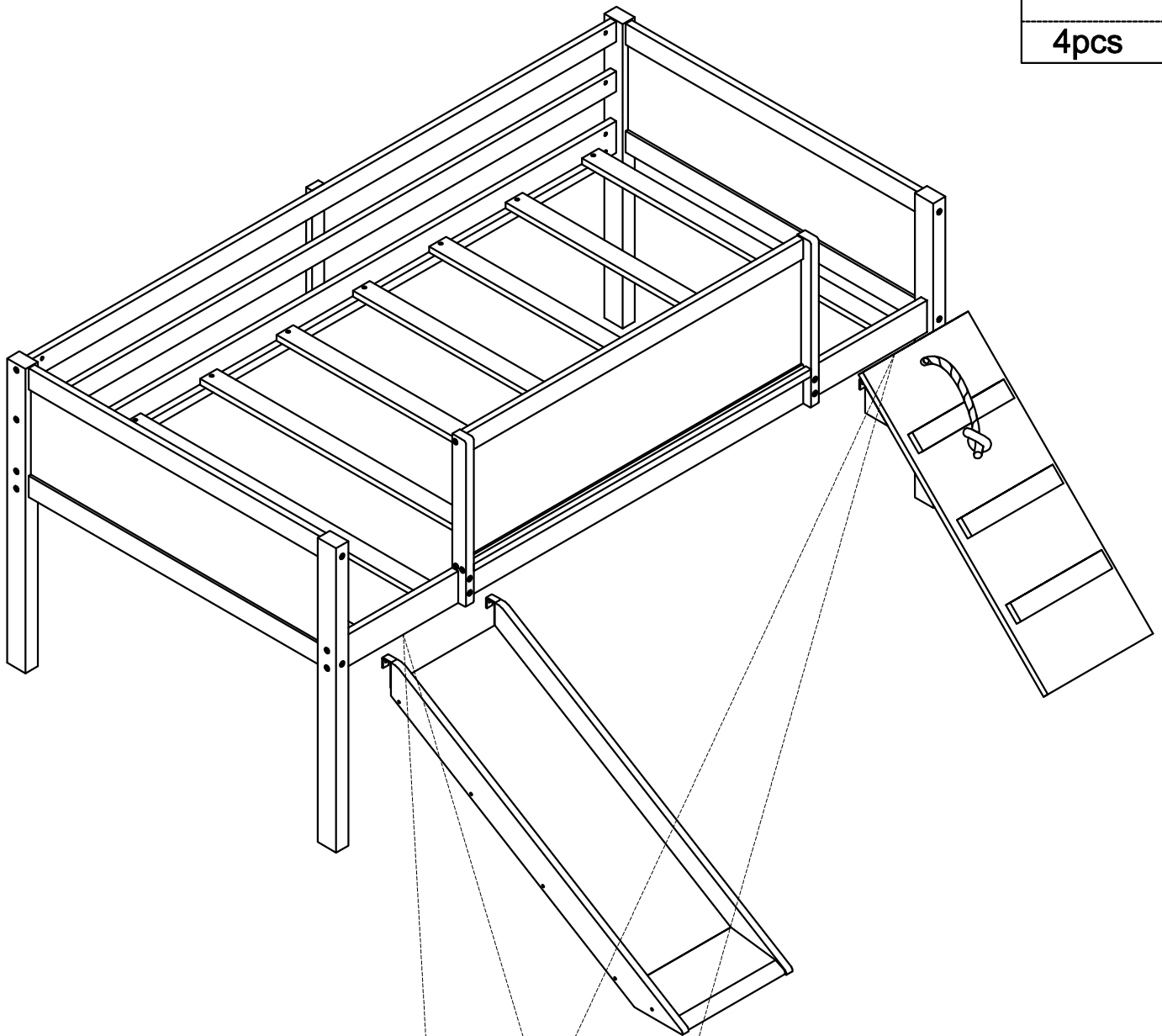
:Following below illustration

- Push 2 Slides into it position and Using hardware #12 connect Slide With Bed
- Look at detail view for more detail

12

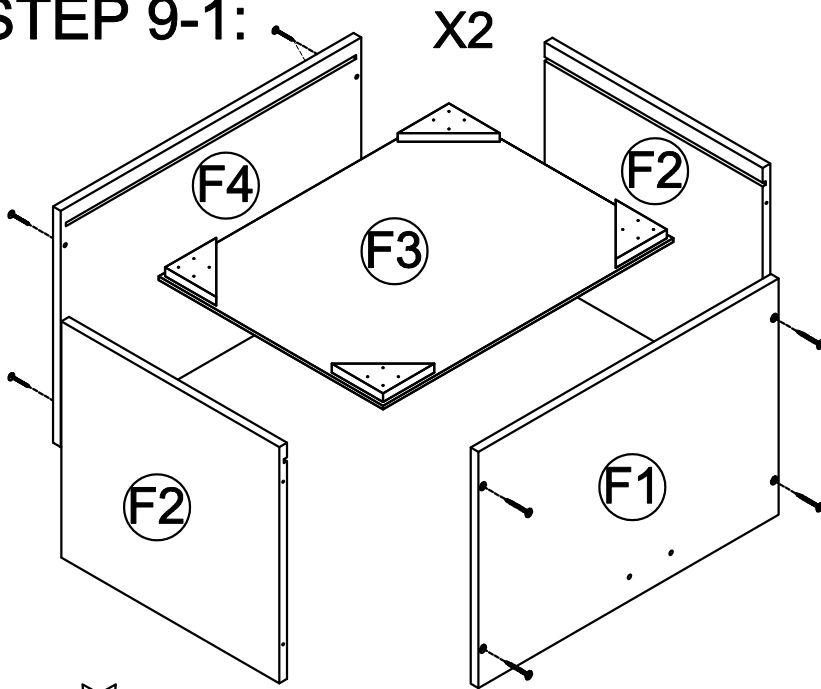


4pcs

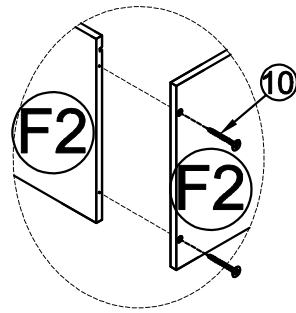


Inside Side Rail View(x2)

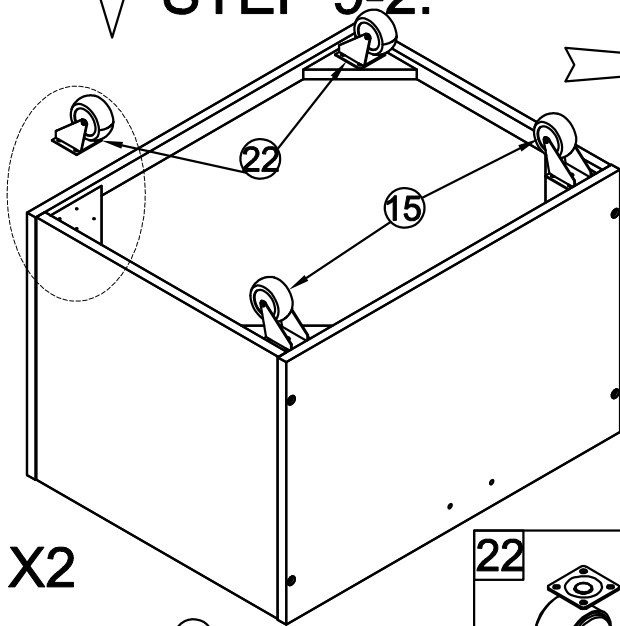
### STEP 9-1:



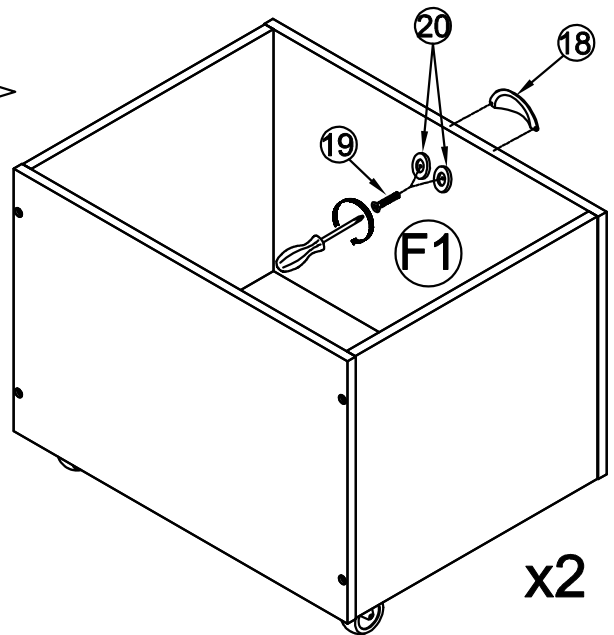
10	
16pcs	



### STEP 9-2:



X2

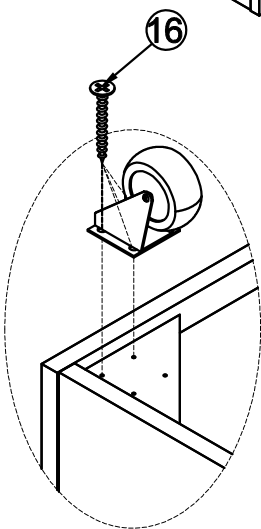


x2

### STEP 9-3:

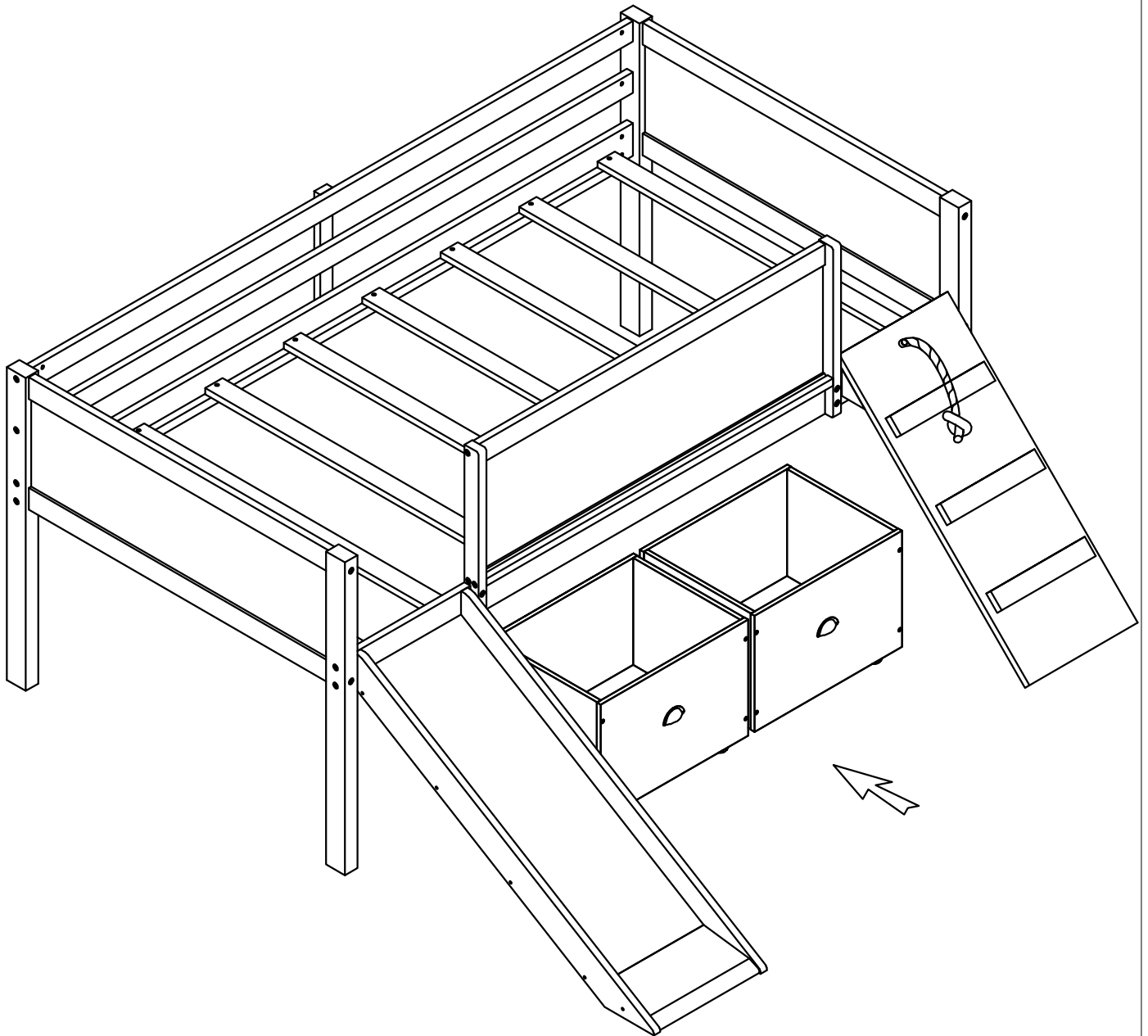
19	18	20
4pcs	2pcs	4pcs

22	
4pcs	
16	
32pcs	
15	
4pcs	



x4

**STEP 10:** Push 2 drawers into it position



CONGRARULATION. YOU HAVE COMPLETED THE BED.

